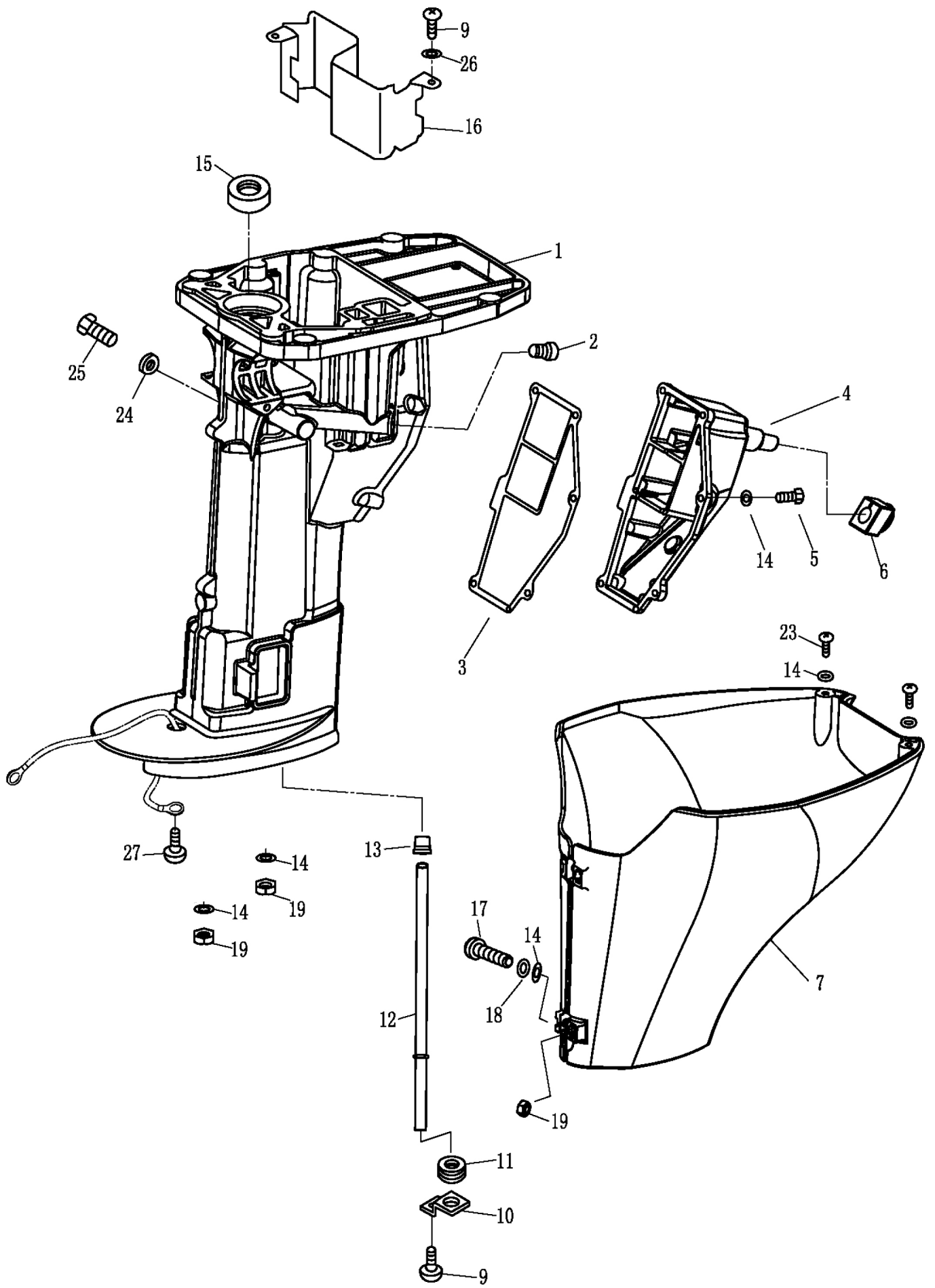


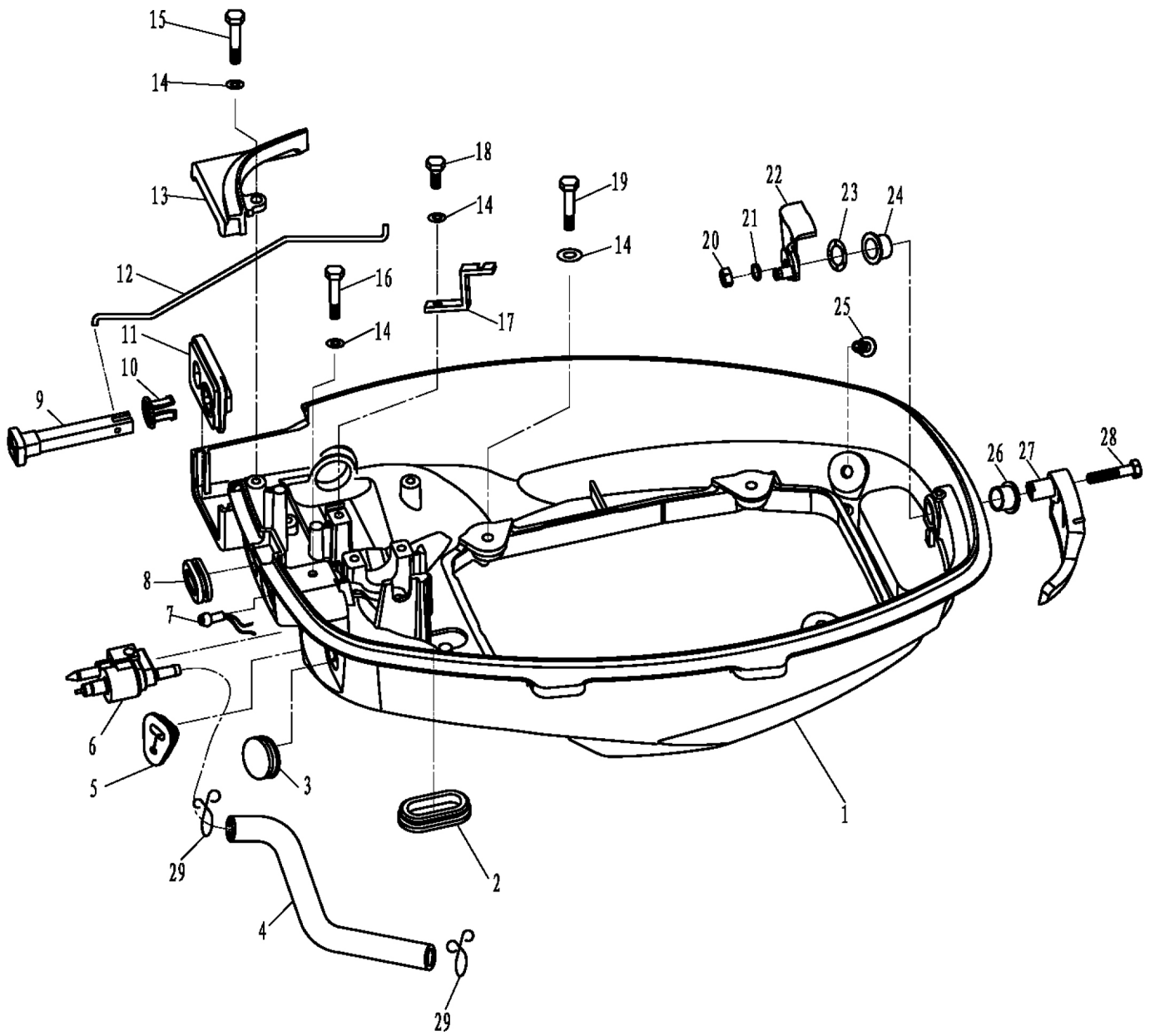
POS	QTY	PARTNUMBER	BESKRIVELSE	DESCRIPTION
1	2	410978	MØTRIK RUSTFRI A4 M8	STAINLESS NUT M8
2	1	417635	BESLAG	ABSORBER(FRONT)
3	4	411205	FLANGEBOLT M6X20	COLLAR BOLT M6X20
4	11	410942	MØTRIK A4 M6	NUT M6
5	2	417636	DÆMPER	ABSORBER ASSY
6	2	417637	PINBOLT M8X65	DICEPHALOUS BOLT M8X65
7	1	417638	BESLAG	STEER BRACKET ASSY
8	1	417639	SPLIT	THRUST ROD ASSY
9	1	408725	FJEDER	SPRING
10	1	408730	SIDEDÆKSEL KOMPLET	SIDE CAP
11	1	408729	PLADE	PLATE
12	1	410978	MØTRIK RUSTFRI A4 M8	STAINLESS NUT M8
13	3	410977	MØTRIK RUSTFRI A4 M6	STAINLESS NUT M6
14	2	408746	HÅNDTAG	HANDLE
15	2	408745	NITTE	RIVET
16	2	408747	BOLT SPECIEL	BOLT
17	2	408748	SKIVE	WASHER
18	2	408733	SKIVE NYLON	WASHER
19	1	417640	BESLAG	ROTARY BRACKET
20	2	417641	SKIVE	WASHER
21	2	417642	BØS	BUSHING
22	1	417643	LÅS	LOCKING BLOCK ASSY
23	1	417644	FJEDER	SPRING, LOCKING
24	1	411547	SÆTBOLT RUSTFRI M8X30	BOLT STAINLESS M8X30
25	1	408752	SIDESÆKSEL KOMPLET	SIDE CAP
26	1	417645	FLANGEBOLT RUSTFRI	BOLT M8XL40
27	1	417646	FLANGEBOLT RUSTFRI	BOLT M6X130
28	1	417647	BØS	TUBE?BOLT
29	1	90104880	SMØRENIPPEL M6	ZERK M6
30	1	417648	O-RING 22.4X3.5	O-RING
31	2	417649	AKSEL	SHAFT
32	4	411022	HESTESKOSIKRING RUSTFRI 3.2	STAINLESS HORSESHOE FUSE 3.2
33	2	417650	DÆMPER	ABSORBER
34	1	417651	LEDNING	TIGHTWIRE B
35	2	411537	SÆTBOLT RUSTFRI M6X75	BOLT STAINLESS M6X75
36	2	417652	BESLAG	ABSORBER
37	1	417653	BESLAG	OUTER FRAME?ROTARY BRACKET
38	1	417654	LED	TIE-IN
39	1	417655	FORBINDER	CONNECTING ROD
40	1	417656	LED	TIE-IN
41	1	417657	BESLAG	INNER FRAME
42	1	417658	FJEDER	SPRING,WREST
43	1	417659	FJEDER	SPRING,SUPPORT
44	2	417660	BØS	BUSRING
45	1	417661	PLADE	PRESS PLATE
46	2	411203	FLANGEBOLT RUSTFRI M6X10	STAINLESS COLLAR BOLT M6X10
47	1	417662	VIPPELÅS	SUPPORT ASSY
48	1	408734	HÅNDTAG	HANDLE



POS	QTY	PARTNUMBER	BESKRIVELSE	DESCRIPTION
1	2	417663	GASKABEL	THROTTLE CABLE ASSY
2	1	410953	LÅSEMØTRIK RUSTFRI A4 M8	STAINLESS LOCKING NUT M8
3	1	417664	PLADE	PLATE
4	1	417665	BØS	BUSHING
5	1	408778	MODSTAND	ADAPTER
6	1	412521	KONTAKT	SWITCH
7	1	417666	SKIVE	WASHER,NYLON
8	1	417667	GREB	HANDLE ASSY
9	1	417668	SKIVE BØLGET	WASHER?WAVE
10	1	417669	BØS	BUSHING
11	1	408783	STOPSNOR	STRING
13	1	410464	SPLIT RUSTFRI M1.6X25	COTTER M1.6X25
14	1	417670	FINGERSKRUE	HAND BUTTON ASSY
15	1	408781	LABEL	LABEL
16	1	417671	KONSOL	CONSOLE
17	1	410944	PLANSKIVE RUSTFRI A4 M10	STAINLESS FACE PLATE M10
18	1	417672	NITTE RUSTFRI 2X5	RIVET
19	1	408774	GREB	HANDLE
20	1	408775	HÅNDTAG	HANDLE
21	1	411669	MASKINSKRUE RUSTFRI M5X25	STAINLESS MACHINE SCREW M5X25
22	1	409580	HÅNDTAG KOMPLET	HANDLE
23	1	408773	INDIKATOR	INDICATOR
24	1	408772	FJEDER	SPRING
25	1	408771	BØS	BUSHING
26	1	417673	PLADE	STAY
27	2	411666	MASKINSKRUE RUSTFRI M5X10	STAINLESS MACHINE SCREW M5X10

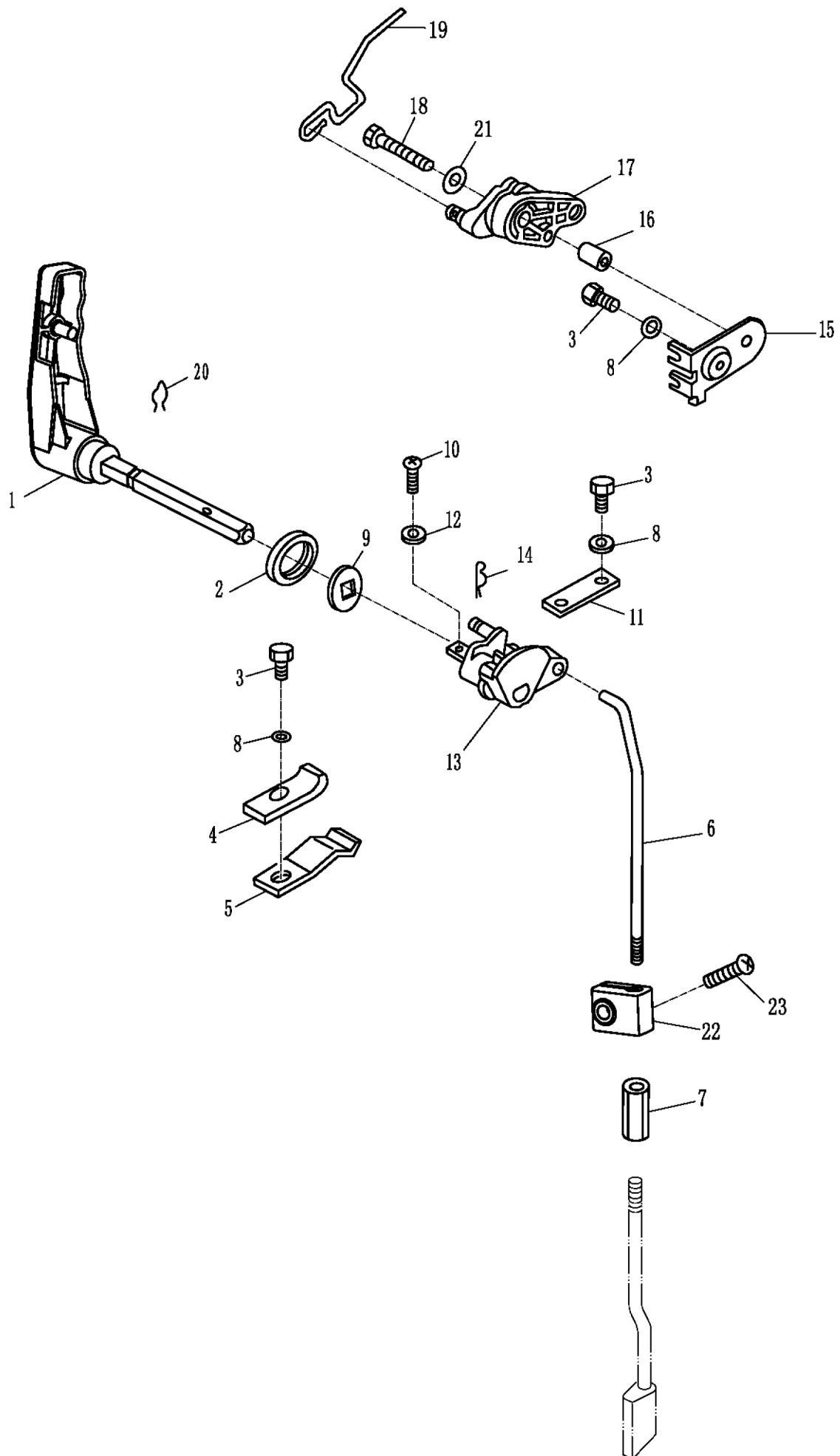


POS	QTY	PARTNUMBER	BESKRIVELSE	DESCRIPTION
1	1	417674	HUS ØVRE	UPPER CASING
2	3	417675	MØTRIK 1/8"	NUT JAM 1/8"
3	1	417676	PAKNING	GASKET
4	1	417677	UDSTØDNINGSDÆKSEL	EXHAUST OUTER COVER
5	6	411205	FLANGEBOLT M6X20	COLLAR BOLT M6X20
6	1	417678	KRAVE	SLEEVE
7	1	417679	HUS ØVRE	UPPER CASING
9	3	411666	MASKINSKRUE RUSTFRI M5X10	STAINLESS MACHINE SCREW M5X10
10	1	417680	BESLAG	BRACKET
11	1	417681	PAKNING	SEAL
12	1	417682	RØR	PIPE FOR WATER
13	1	417683	PAKNING	UPPER SEAL, WATER PIPE
14	14	410942	MØTRIK A4 M6	NUT M6
15	1	417684	PAKDÅSE	OIL SEAL
16	1	417685	PAKNING	SEAL CLAPBOARD
17	2	411207	FLANGEBOLT RUSTFRI M6X30	STAINLESS COLLAR BOLT M6X30
18	2	410942	MØTRIK A4 M6	NUT M6
19	6	410969	FLANGEMØTRIK RUSTFRI A4 M6M	STAINLESS COLLAR NUT M6M
23	2	411676	MASKINSKRUE RUSTFRI M6X15	STAINLESS MACHINE SCREW M6X15
24	1	409643	SKIVE	WASHER
25	1	412539	BUNDSKRUE	BOTTOM SCREW
26	2	410951	LÅSEMØTRIK RUSTFRI A4 M5	STAINLESS LOCKING NUT M5
27	1	411675	MASKINSKRUE RUSTFRI M6X10	STAINLESS MACHINE SCREW M6X10

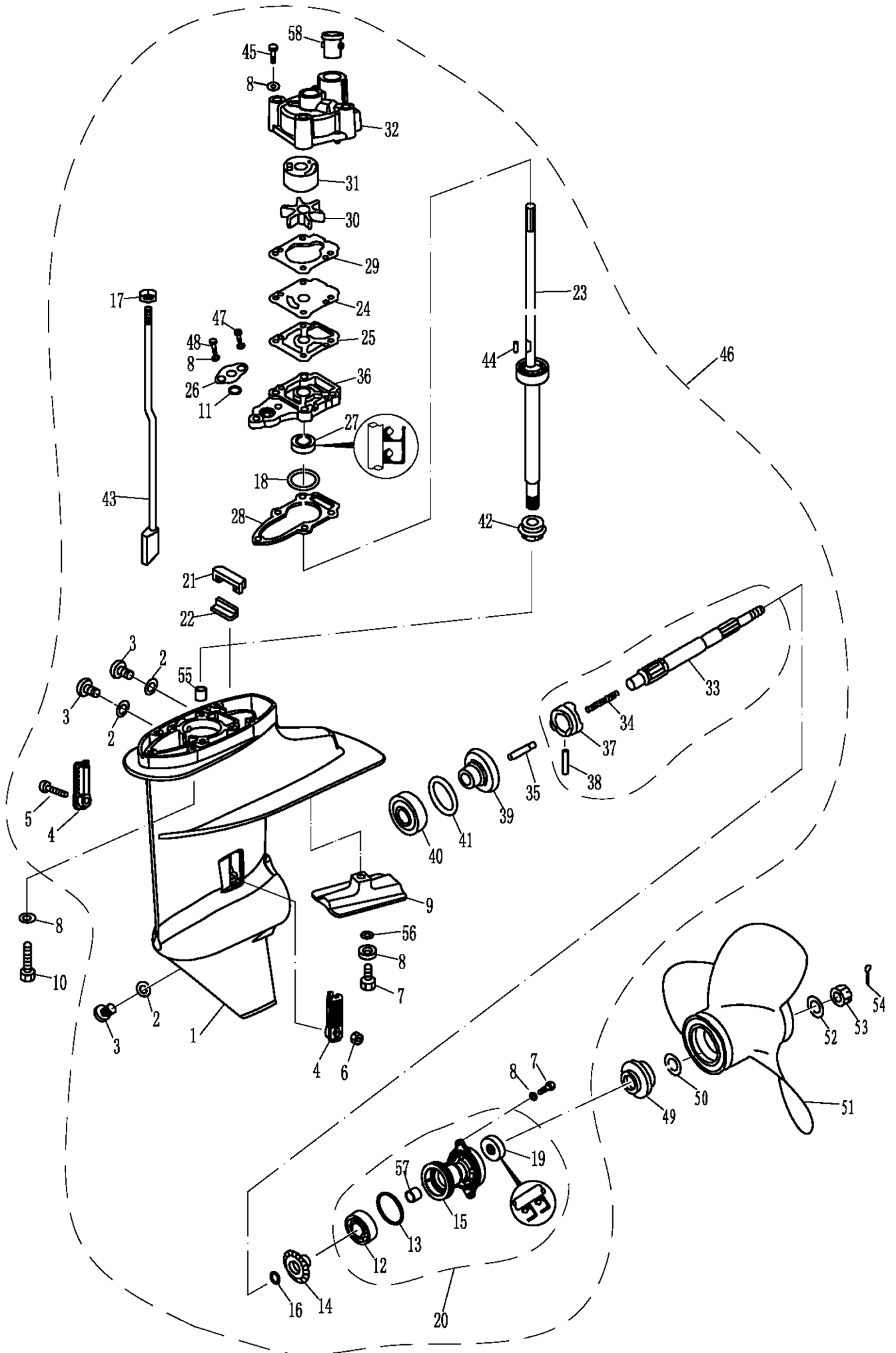


POS	QTY	PARTNUMBER	BESKRIVELSE	DESCRIPTION
1	1	417686	BUNDDÆKSEL	BOTTOM COWLING
2	2	417687	GUMMIPROP	RUBBER PLUG B
3	1	412547	PROP	PLUG
4	1	417688	BRÆNDSTOFSLANGE	FUEL PIPE
5	1	409681	KRAVE	SLEEVE
6	1	409875	INDSTIK	CONNECTOR
7	1	409779	ALARM	ALARM
8	1	417689	GUMMIPROP	RUBBER PLUG A
9	1	417690	HÅNDTAG CHOKER	AIR CHOKE
10	1	417691	BØS	BUSH AIR CHOKE
11	1	417692	KRAVE	RUBBER PLATE
12	1	417693	FORBINDER	CONNECTOR
13	1	417694	PANEL	COVER BOARD
14	7	410942	MØTRIK A4 M6	NUT M6
15	1	11GB907415	SÆTBOLT 8.8 M6X16 FZ	SET BOLT M6X16 FZ
16	1	411526	SÆTBOLT RUSTFRI M6X20	BOLT STAINLESS M6X20
17	1	417695	BESLAG	TIGHTWIRE
18	1	90102722	SÆTBOLT 8.8 M6X12 FZ	SET BOLT M6X12 FZ
19	4	411527	SÆTBOLT RUSTFRI M6X25	BOLT STAINLESS M6X25
20	1	410977	MØTRIK RUSTFRI A4 M6	STAINLESS NUT M6
21	1	410952	LÅSEMØTRIK RUSTFRI A4 M6	STAINLESS LOCKING NUT M6
22	1	408976	LÅS	LOCK
23	1	417696	SKIVE	WASHER,WAVE
24	1	417697	BØS	BUSHING B
25	1	417698	SMØRENIPPEL	NIPPLE
26	1	417699	BØS	BUSHING A
27	1	417700	HÅNDTAG	LOCKING HANDLE
28	1	411527	SÆTBOLT RUSTFRI M6X25	BOLT STAINLESS M6X25
29	2	408914	LÅSECLIP	LOCKING CLIPS



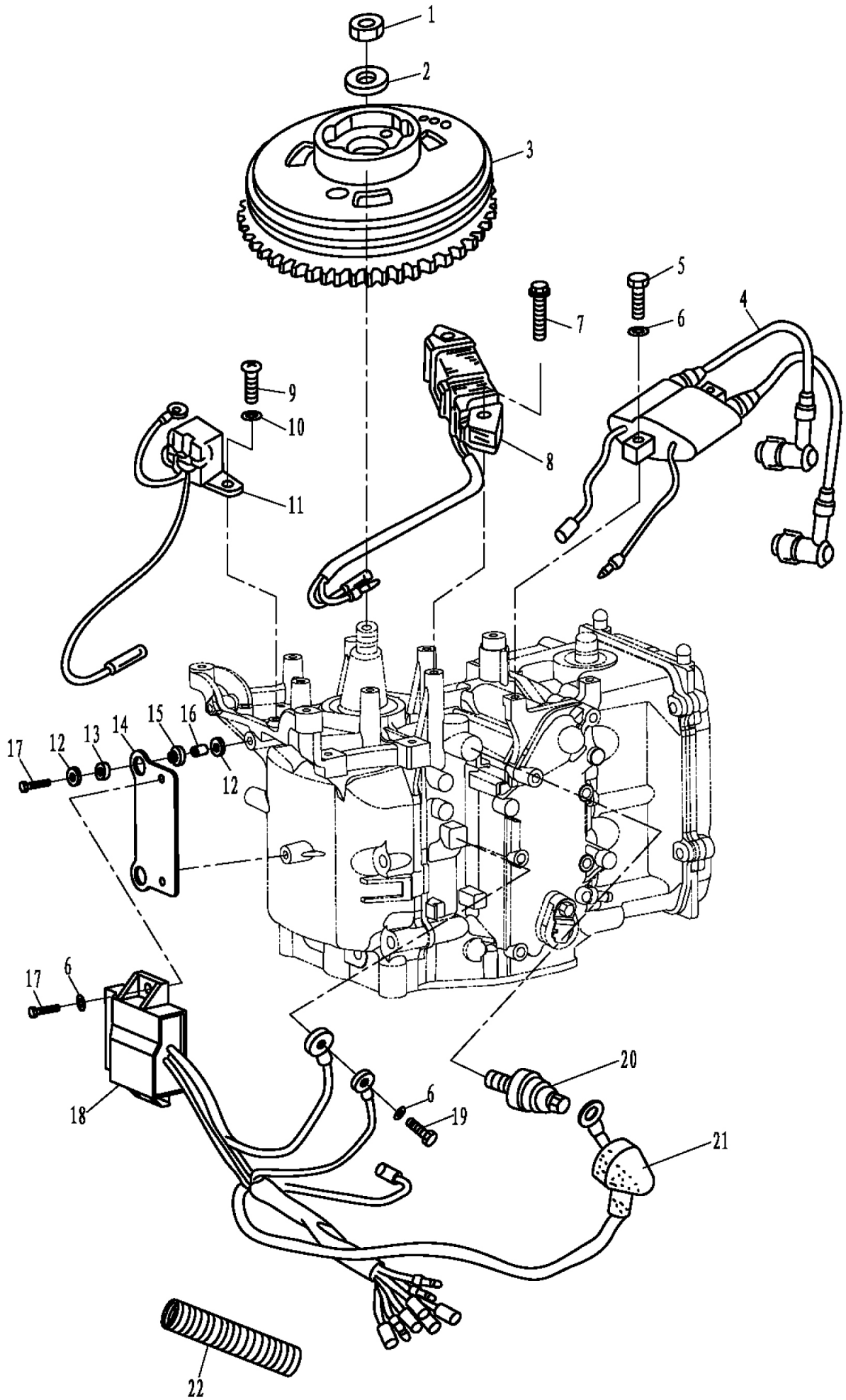


POS	QTY	PARTNUMBER	BESKRIVELSE	DESCRIPTION
1	1	417701	HÅNDTAG GEARSKIFT	HANDLE
2	1	417702	SKIVE	WASHER
3	4	411524	SÆTBOLT RUSTFRI M6X10	BOLT STAINLESS M6X10
4	1	417703	PLADE	PLATE
5	1	417704	PLADE	PLATE
6	1	417705	AKSEL	SHIFT ROD
7	1	417706	MØTRIK	COLUMNED NUT
8	4	417707	SKIVE	WASHER
9	1	417707	SKIVE	WASHER
10	1	411659	MASKINSKRUE RUSTFRI M4X14	STAINLESS MACHINE SCREW M4X14
11	1	417708	PLADE	PLATE
12	1	410940	PLANSKIVE RUSTFRI A4 M4	STAINLESS FACE PLATE M4
13	1	417709	AKSEL/ARM	SHIFT ROD SHAFT
14	1	409572	SPLIT	COTTER
15	1	417710	BESLAG	BRACKET
16	1	417711	BØS	BUSHING
17	1	417712	GASGIVER	MAIN PULLEY
18	1	411528	SÆTBOLT RUSTFRI M6X30	BOLT STAINLESS M6X30
19	1	417713	FORBINDER	LINK ACCELERATOR
20	1	417714	FJEDER Ø1.2	SPRING ?1.2
21	1	410952	LÅSEMØTRIK RUSTFRI A4 M6	STAINLESS LOCKING NUT M6
22	1	417715	LÅS	LOCK BLOCK
23	1	411675	MASKINSKRUE RUSTFRI M6X10	STAINLESS MACHINE SCREW M6X10

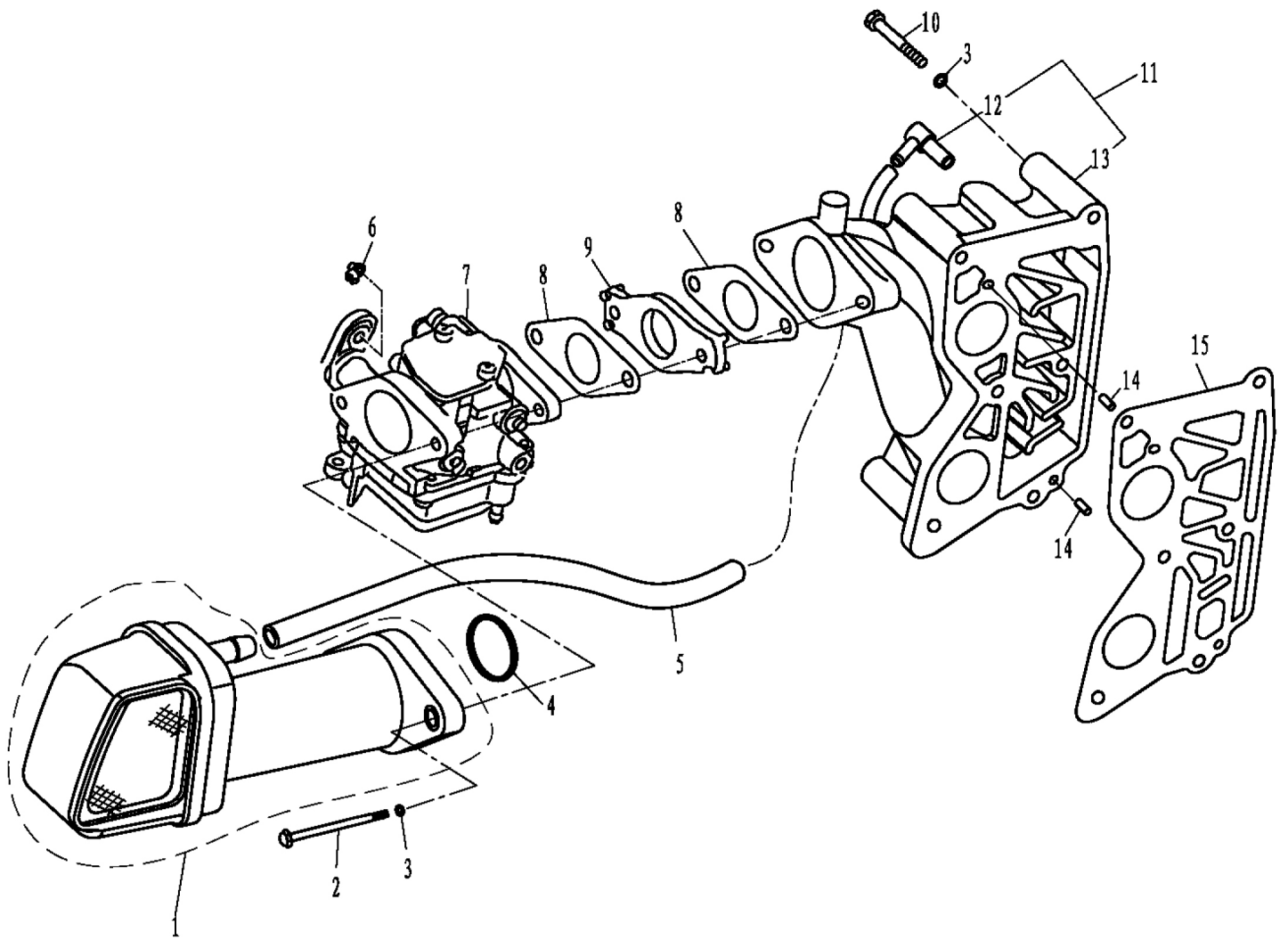


POS	QTY	PARTNUMBER	BESKRIVELSE	DESCRIPTION
1	1	417716	GEARHUS	LOWER CASING
2	3	408817	PAKNING	GASKET
3	3	408816	OLIEPROP	OIL PLUG
4	2	417717	INDSUGNING VAND	WATER INLET
5	1	411190	FLANGEBOLT RUSTFRI M4X25	STAINLESS COLLAR BOLT M4X25
6	1	410967	FLANGEMØTRIK RUSTFRI A4 M4	STAINLESS COLLAR NUT M4
7	3	411527	SÆTBOLT RUSTFRI M6X25	BOLT STAINLESS M6X25
8	11	410942	MØTRIK A4 M6	NUT M6
9	1	425095	ANODE	ANODE
10	4	411208	FLANGEBOLT RUSTFRI M6X35	STAINLESS COLLAR BOLT M6X35
11	1	412062	O-RING	O-RING
12	1	417718	KUGLELEJE 6004	BEARING 6004
13	1	417719	O-RING	O-RING
14	1	417720	BAKGEAR	GEAR,REVERSE
15	1	417721	DÆKSEL GEARHUS	COVER?LOWER CASING
16	1	417722	SKIVE	WASHER
17	1	410968	FLANGEMØTRIK RUSTFRI A4 M5	STAINLESS COLLAR NUT M5
18	1	417723	SHIM 0.10 MM	SHIM 0.10MM
18	1	417724	SHIM 0.15 MM	SHIM 0.15MM
18	1	417725	SHIM 0.20 MM	SHIM 0.20MM
19	1	417726	PAKDÅSE	OIL SEAL
20	1	417727	DÆKSEL MED TANDHJUL	COVER ASSY
21	1	417728	PAKNING	GASKET
22	1	417729	PAKNING	WATER SEAL
23	1	417730	AKSEL KORT	DRIVE SHAFT ASSY(S)
24	1	417731	PLADE	OUTER PLATE
25	1	417732	PAKNING	GASKET
26	1	417733	PLADE	PLATE,O-RING
27	1	417734	PAKDÅSE	OIL SEAL
28	1	417735	PAKNING	GASKET
29	1	417736	PAKNING	GASKET
30	1	417737	IMPELLER	IMPELLER
31	1	417738	IMPELLERHUS	INNER SHELL
32	1	417739	VANDPUMPE HUS	WATER PUMP
33	1	417740	AKSEL	SHAFT,PROPELLER
34	1	417741	FJEDER	SPRING,CLUTCH
35	1	417742	STIFT	PIN
36	1	417743	BASE	WATER PUMP SEAT
37	1	417744	KLO KOBLING	CLUTCH,DOG
38	1	417745	RØRSTIFT RUSTFRI	PIN 3.5X28
39	1	417746	TANDHJUL	GEAR,FORWARD
40	1	417747	KUGLELEJE 6204	BEARING 6204
41	1	417748	SHIM 0.10 MM	SHIM 0.10MM
41	1	417749	SHIM 0.15 MM	SHIM 0.15MM
42	1	417750	GEAR	PINION GEAR
43	1	417751	AKSEL KORT	SHIFT ROD(S)
44	1	417752	NOT	PIN,DOWER

POS	QTY	PARTNUMBER	BESKRIVELSE	DESCRIPTION
45	4	411532	SÆTBOLT RUSTFRI M6X50	BOLT STAINLESS M6X50
46	1	417753	GEAR KOMPLET KORT S	LOWER CASING ASSY
47	1	417754	MASKINSKRUE RUSTFRI M5X6	SCREW M5X6
48	1	411678	MASKINSKRUE RUSTFRI M6X25	STAINLESS MACHINE SCREW M6X25
49	1	417755	PAKNING	SEALPROPELLER
50	1	417756	SKIVE	WASHER
51	1	419088	PROPEL	PROPELLER
52	1	410944	PLANSKIVE RUSTFRI A4 M10	STAINLESS FACE PLATE M10
53	1	409766	MØTRIK	NUT
54	1	410467	SPLIT RUSTFRI M2.0X25	COTTER M2.0X25
55	1	417757	KUGLELEJE	BEARING
56	1	410960	FJEDERSKIVE RUSTFRI A4 M6	STAINLESS SPRING COLLAR M6
57	1	417758	LEJE	BEARING
58	1	417759	PAKNING	SEAL

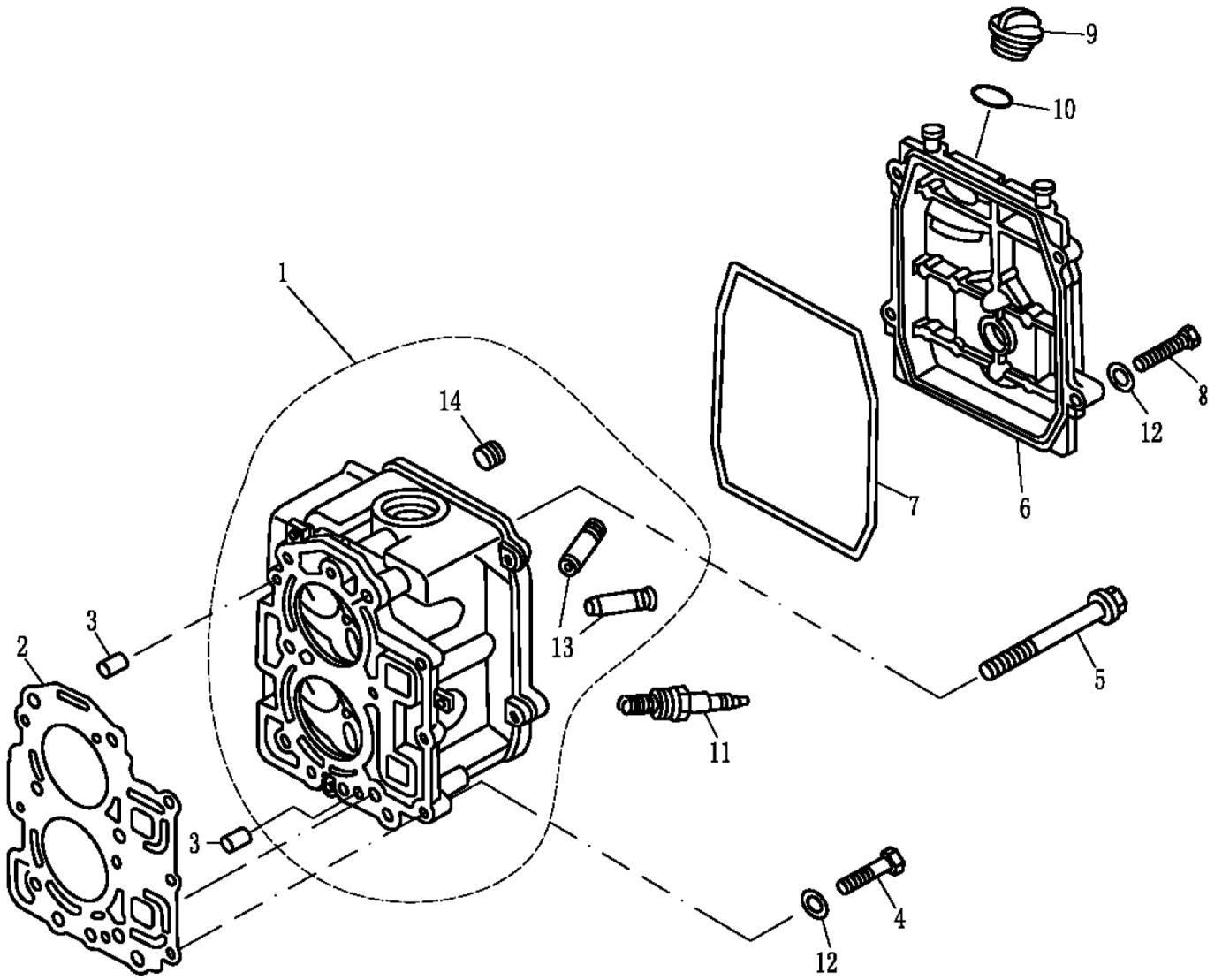


POS	QTY	PARTNUMBER	BESKRIVELSE	DESCRIPTION
1	1	417760	MØTRIK	NUT, FLYWHEEL
2	1	417761	SKIVE	FLYWHEEL WASHER
3	1	417762	SVINGHJUL	FLYWHEEL ASSY
4	1	419094	TÆNDSPOLE 9,8HK	IGNITION
5	2	411206	FLANGEBOLT RUSTFRI M6X25	STAINLESS COLLAR BOLT M6X25
6	5	410942	MØTRIK A4 M6	NUT M6
7	2	411207	FLANGEBOLT RUSTFRI M6X30	STAINLESS COLLAR BOLT M6X30
8	1	419093	STATOR TÆNDNING 9,8HK	IGNITION COIL
9	2	411666	MASKINSKRUE RUSTFRI M5X10	STAINLESS MACHINE SCREW M5X10
10	2	410941	PLANSKIVE RUSTFRI A4 M5	ADAPTER M5
11	1	419092	IMPULSGIVER 9,8HK	IGNITION COIL
12	4	417763	SKIVE	WASHER
13	2	417764	SKIVE	ABSORBER(A), C.D.I.
14	1	417765	DÆKSEL	PLATE, C?D?I
15	2	417766	BØS	ABSORBER(B), C.D.I.
16	2	417767	STYREBØS	TUBE
17	4	411204	FLANGEBOLT M6X15	COLLAR BOLT M6X15
18	1	419091	CDI 9,8HK	CDI
19	1	90122130	FLANGEBOLT 8.8 M6X12 FZ	COLLAR BOLT M6X12 FZ
20	1	417768	OLIETRYKSSENSOR	OIL PRESSURE SENSOR
21	1	409784	KRAVE	SLEEVE
22	1	409781	FLEXSLANGE FOR KABEL	FLEXIBLE HOSE

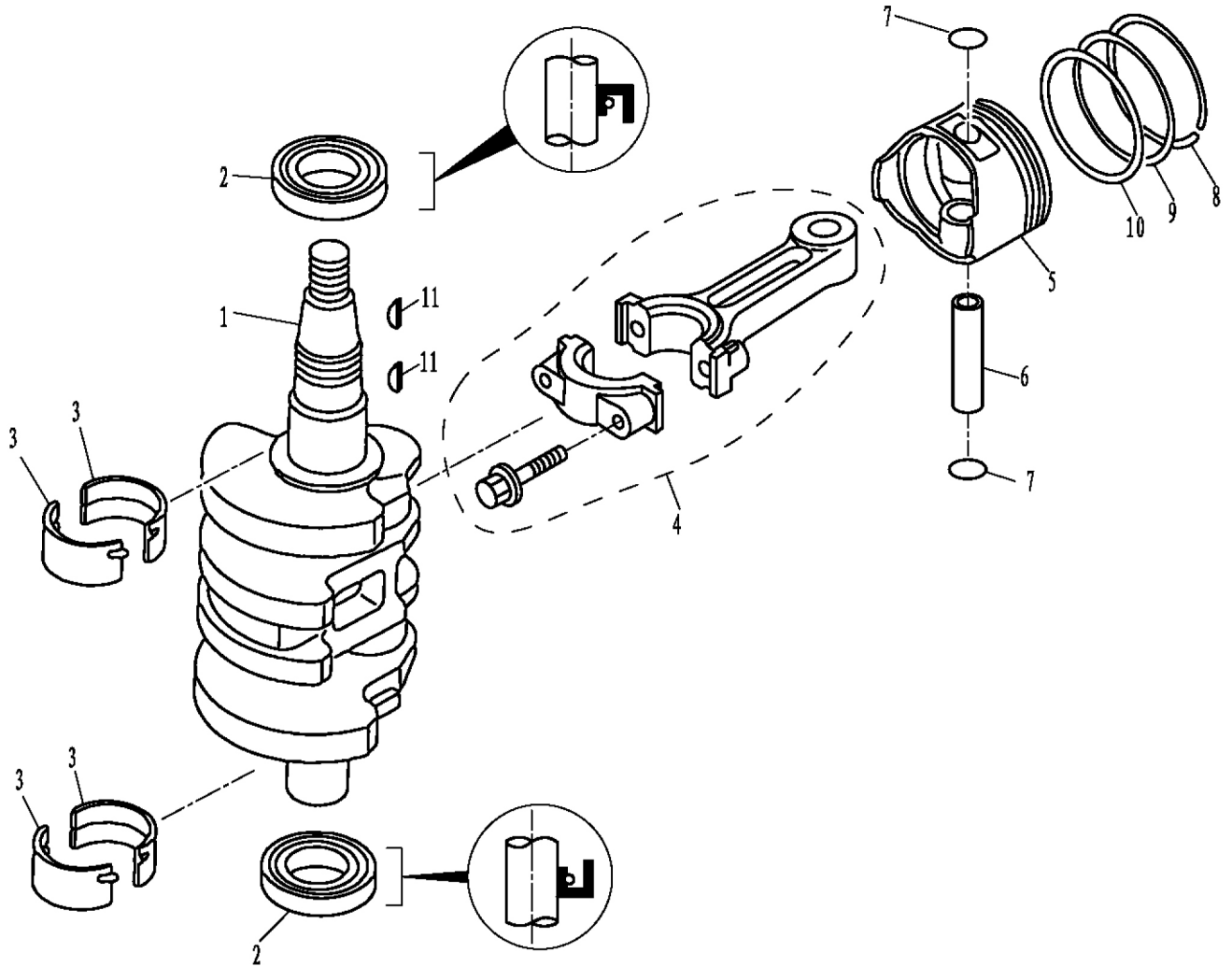




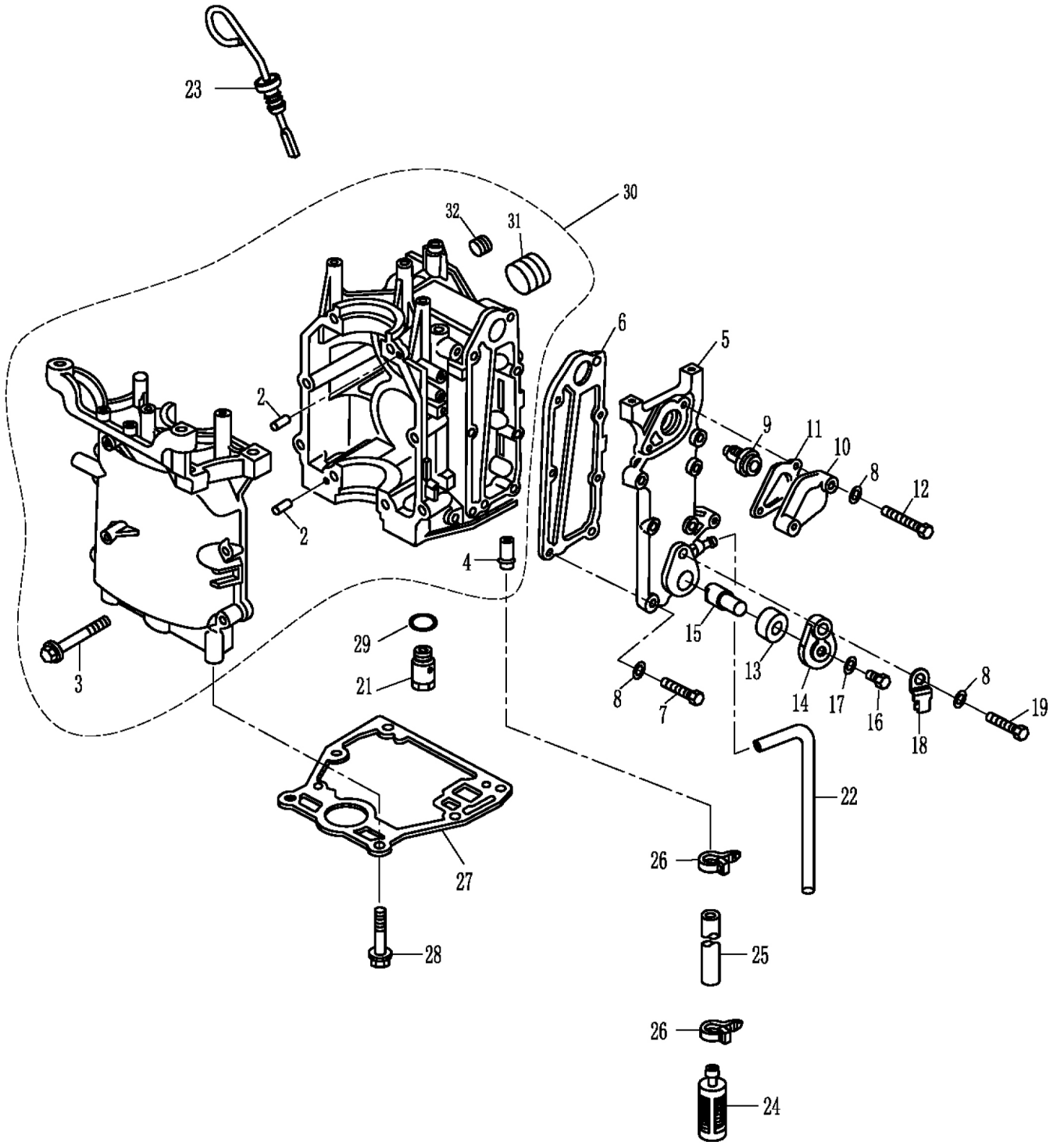
POS	QTY	PARTNUMBER	BESKRIVELSE	DESCRIPTION
1	1	417769	INDSUGNING	SILENCER ASSY?INTAKE
2	2	411221	FLANGEBOLT RUSTFRI M6X100	STAINLESS COLLAR BOLT M6X100
3	8	410942	MØTRIK A4 M6	NUT M6
4	1	409471	O-RING 35.5X1.8	O-RING 35.5X1.8
5	1	417770	ÅNDERØR Ø10X5X245	HOSE
6	1	417771	KONTAKT	CONTACT
7	1	417772	KARBURATOR F9.8	CARBURETOR
8	2	409788	PAKNING	GASKET
9	1	409789	ISOLATOR	INSULATOR
10	6	411210	FLANGEBOLT RUSTFRI M6X45	STAINLESS COLLAR BOLT M6X45
11	1	417773	MANIFOLD KOMPLET	INTAKE MANIFOLD ASSY
12	1	417774	NIPPEL	GAS NIPPLE
13	1	417775	MANIFOLD KOMPLET	INTAKE MANIFOLD
14	2	417776	RØRSTIFT RUSTFRI 3X10	PIN 3XLO
15	1	417777	PAKNING	GASKET



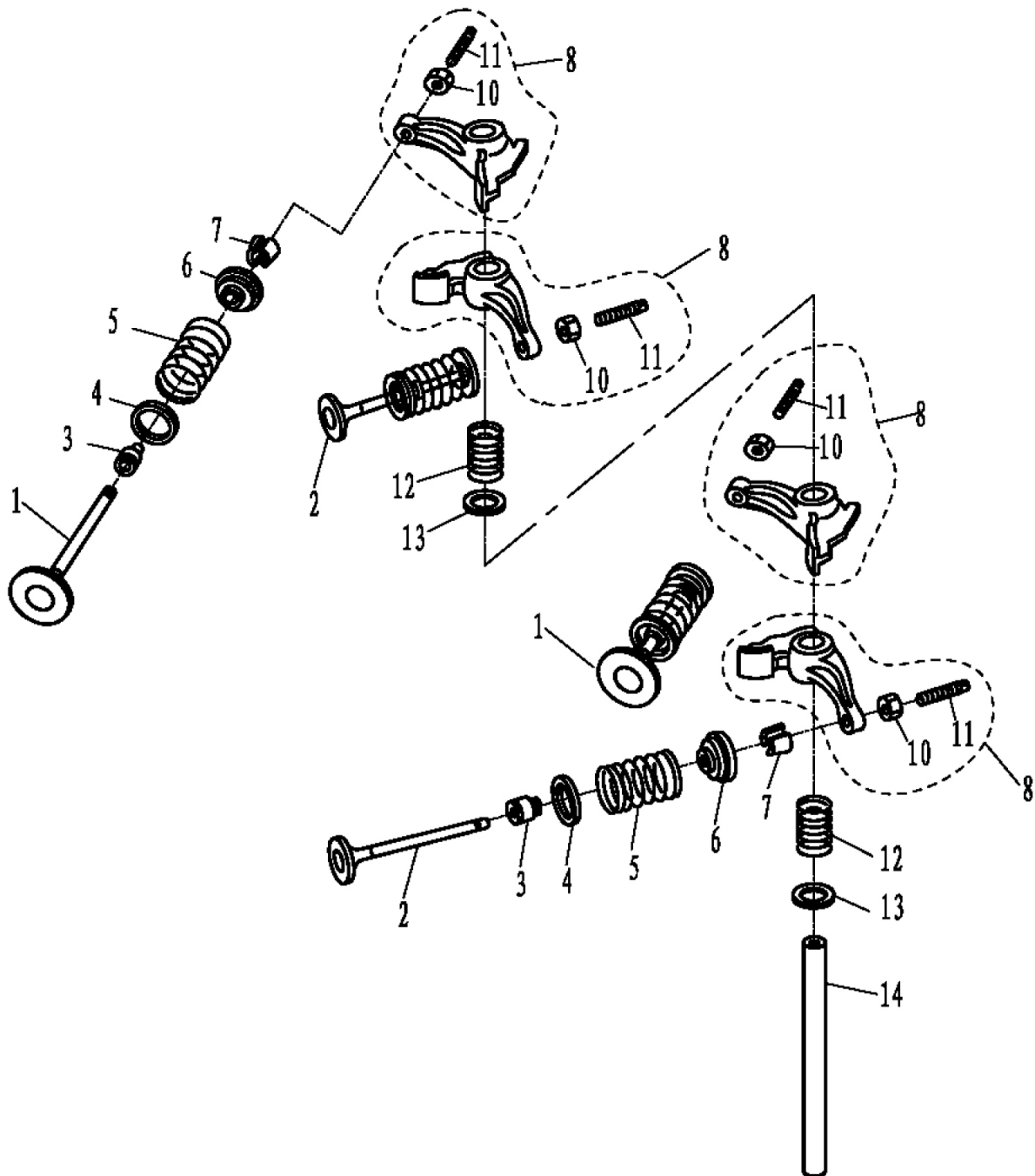
POS	QTY	PARTNUMBER	BESKRIVELSE	DESCRIPTION
1	1	417778	TOPSTYKKE KOMPLET	CYLINDER HEAD ASSY
2	1	417779	TOPPAKNING	CYLINDER HEAD GASKET
3	2	406431	STYREBØS 3X10	GUIDE GLAND 3X10
4	3	411527	SÆTBOLT RUSTFRI M6X25	BOLT STAINLESS M6X25
5	6	411230	FLANGEBOLT RUSTFRI M8X50	STAINLESS COLLAR BOLT M8X50
6	1	417780	VENTILDÆKSEL	CYLINDER HEAD COVER
7	1	417781	VENTILDÆKSELPAKNING	CYLINDER HEAD COVER GASKET
8	4	411527	SÆTBOLT RUSTFRI M6X25	BOLT STAINLESS M6X25
9	1	409842	PROP	PLUG
10	1	417782	O-RING	O-RING
11	2	10011122	TÆNDRØR X20EPR-U9	SPARK PLUGS X20EPR-U9
12	7	410942	MØTRIK A4 M6	NUT M6
13	4	409838	VENTILSTYR	VALVE GUIDE
14	2	417783	PROP 1/4"	STOPPER



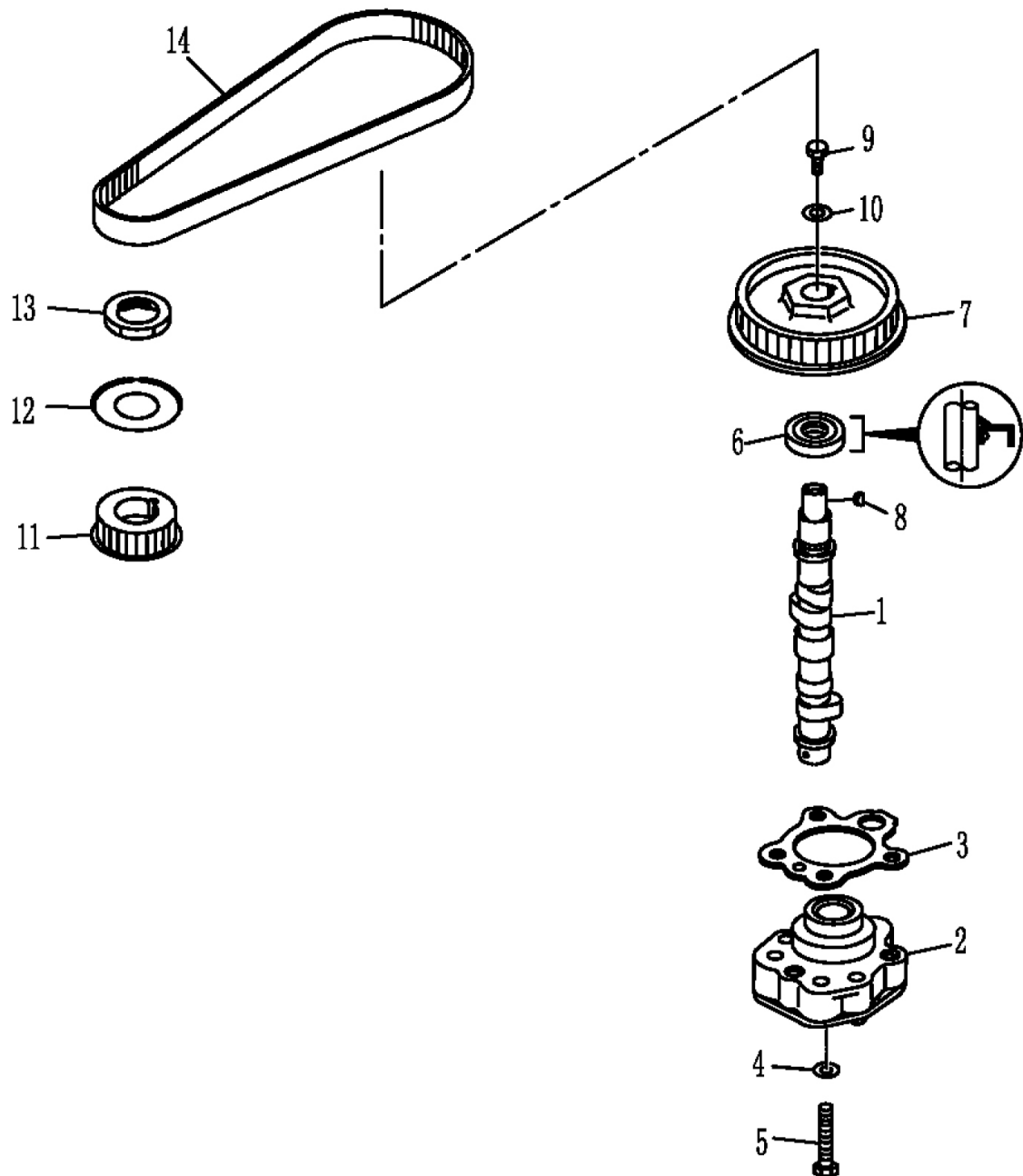
POS	QTY	PARTNUMBER	BESKRIVELSE	DESCRIPTION
1	1	417784	KRUMTAP	CRANK
2	2	417785	PAKDÅSE	OIL SEAL
3	4	417786	BØS	BUSH
4	2	417787	PEJLESTANG	ROD,CONNECTING
5	2	417788	STEMPEL	PISTON
6	2	417789	KRYDSPIND	PISTONPIN
7	4	409831	LÅSERING	LOCKING RING
8	2	417790	STEMPELRING 1	PISTON RING I
9	2	417791	STEMPELRING 2	PISTON RING II
10	2	417792	OLIESKRABERING	OIL SEAL RING
11	2	408842	NOT	KEY



POS	QTY	PARTNUMBER	BESKRIVELSE	DESCRIPTION
2	2	409624	STYREBØS	GUIDE GLAND
3	8	411230	FLANGEBOLT RUSTFRI M8X50	STAINLESS COLLAR BOLT M8X50
4	1	417793	KRAVE	NIPPLE
5	1	417794	PROP	EXHAUST COVER
6	1	417795	PAKNING	GASKET,EXHAUST COVER
7	5	411527	SÆTBOLT RUSTFRI M6X25	BOLT STAINLESS M6X25
8	8	410942	MØTRIK A4 M6	NUT M6
9	1	408892	TERMOSTAT	THERMOSTAT
10	1	417796	DÆKSEL	THERMOSTAT COVER
11	1	417797	PAKNING	GASKET,THERMOSTAT COVER
12	2	411530	SÆTBOLT RUSTFRI M6X40	BOLT STAINLESS M6X40
13	1	409808	BØS	BUSHING
14	1	409807	DÆKSEL	LID
15	1	409806	ANODE	ANODE
16	1	411515	SÆTBOLT RUSTFRI M5X10	BOLT STAINLESS M5X10
17	1	410941	PLANSKIVE RUSTFRI A4 M5	ADAPTER M5
18	1	409809	PLADE	PLATE
19	1	411526	SÆTBOLT RUSTFRI M6X20	BOLT STAINLESS M6X20
21	1	417798	FILTER	PLUNGER
22	1	417760	MØTRIK	NUT,FLYWHEEL
23	1	417799	OLIEPIND	OIL LEVEL GAUGE
24	1	417800	FILTER	OIL STRAINER
25	1	417801	SLANGE	HOSE
26	2	417802	LÅS	HOOP
27	1	417803	PAKNING	GASKET,ENGINE BASEMENT
28	6	411227	FLANGEBOLT RUSTFRI M8X35	STAINLESS COLLAR BOLT M8X35
29	1	417804	O-RING 13.2X1.8	O-RING
30	1	414672	KRUMTAPHUS KOMPLET	CRANKCASE
31	2	417783	PROP 1/4"	STOPPER
32	2	417675	MØTRIK 1/8"	NUT JAM 1/8"

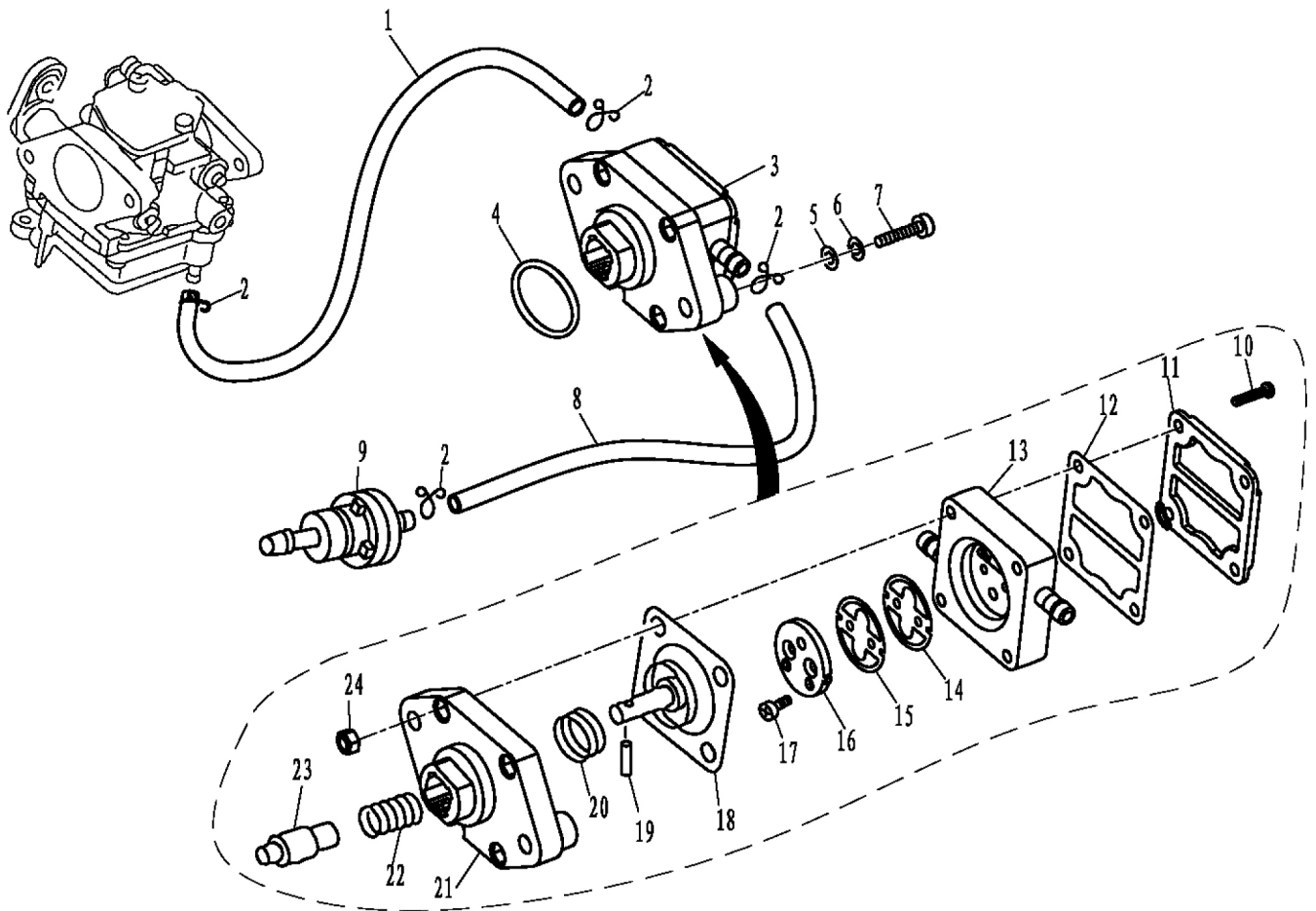


POS	QTY	PARTNUMBER	BESKRIVELSE	DESCRIPTION
1	2	417805	INDSUGNINGSVENTIL	VALVE INTAKE
2	2	417806	UDSTØDNINGSVENTIL	VALVE EXHAUST
3	4	408881	PAKDÅSE	OIL SEAL
4	4	417807	PAKNING	SEAL
5	4	417808	FJEDER	SPRING
6	4	417809	VENTILSÆDE	RETAINER
7	8	417810	LÅS	COTTER
8	4	417811	VIPPEARMS KOMPLET	ROCKER ASSY
10	4	409851	LÅSEMØTRIK	LOCKING NUT
11	4	409852	SKRUE VENTILJUSTERING	ADJUSTMENT SCREW
12	2	417812	VENTILFJEDER	SPRING ROCKER
13	2	417813	BØS	BUSH
14	1	417814	AKSEL	SHAFT

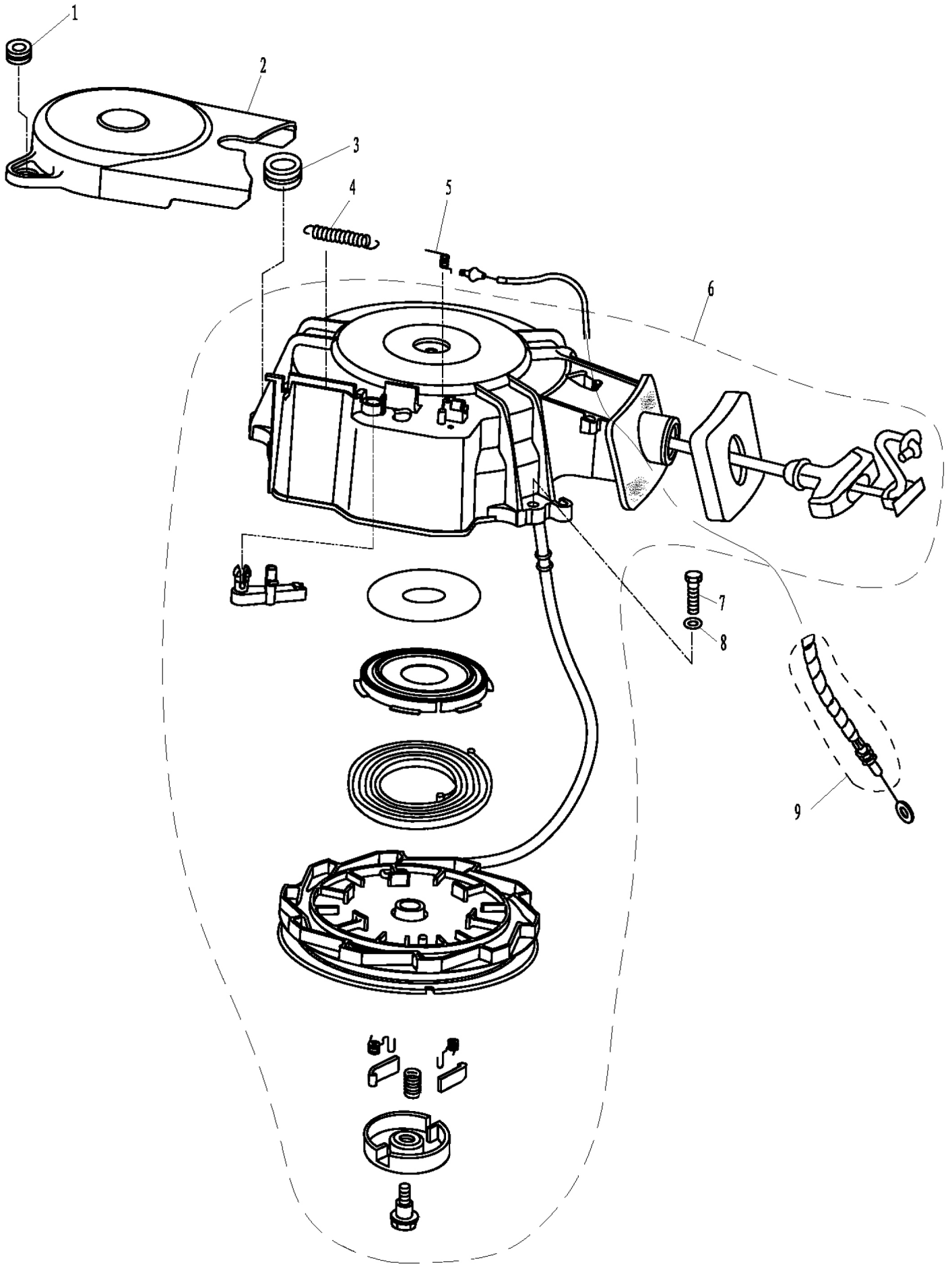


POS	QTY	PARTNUMBER	BESKRIVELSE	DESCRIPTION
1	1	417815	KNASTAKSEL	CAMSHAFT
2	1	417816	OLIEPUMPE	OIL PUMP
3	1	417817	OLIEPUMPEPAKNING	OIL PUMP GASKET
4	3	410942	MØTRIK A4 M6	NUT M6
5	3	411529	SÆTBOLT RUSTFRI M6X35	BOLT STAINLESS M6X35
6	1	417818	PAKDÅSE 18X35X7.8	OIL SEAL
7	1	417819	REMSKIVE	DRIVER PULLEY
8	1	417820	NOT	KEY
9	1	411205	FLANGEBOLT M6X20	COLLAR BOLT M6X20
10	1	410942	MØTRIK A4 M6	NUT M6
11	1	417821	REMSKIVE	DRIVER PULLEY
12	1	417822	SKIVE	BELT GUIDER
13	1	417823	OMLØBER	NUT
14	1	417824	TANDREM	TIMING BELT

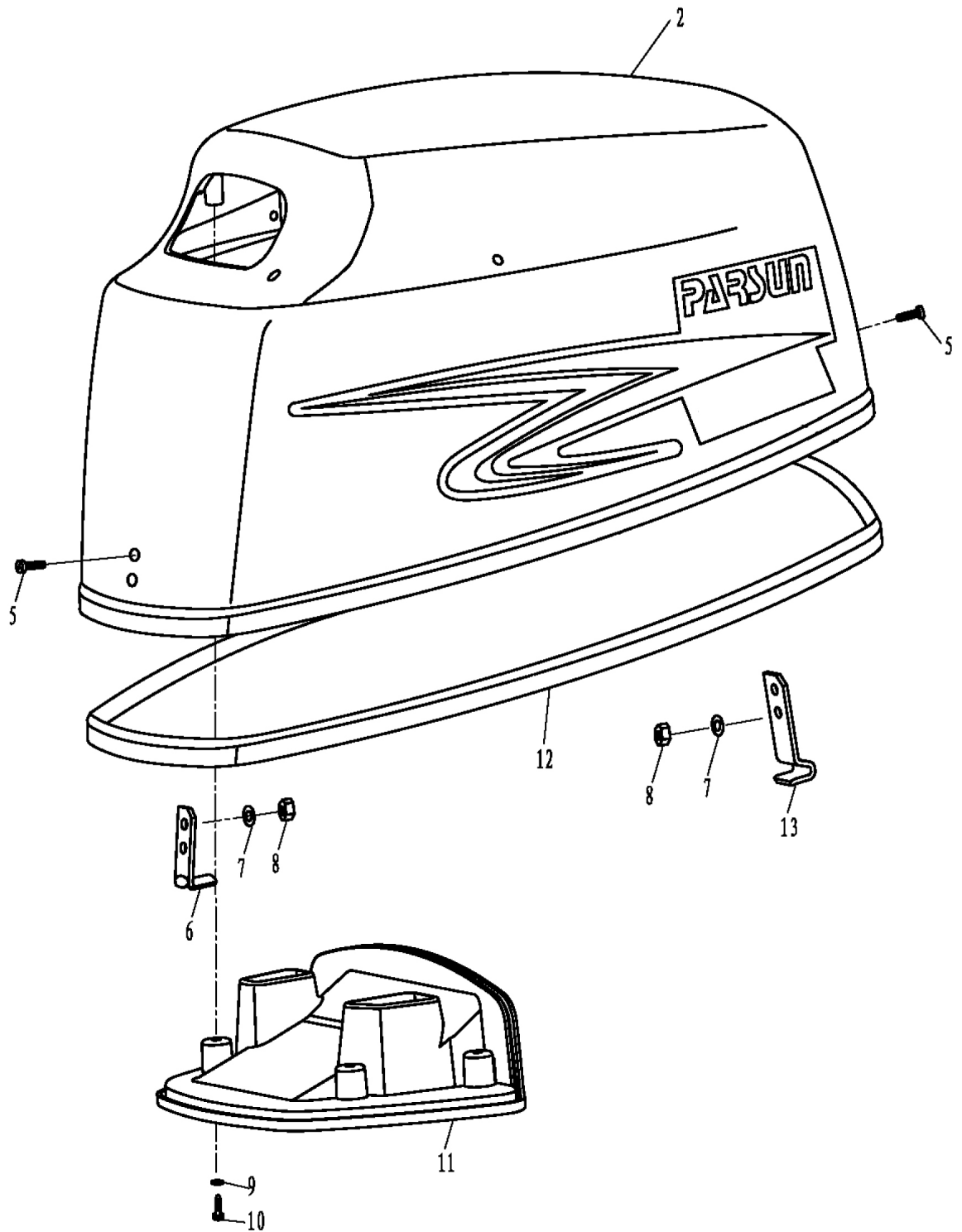




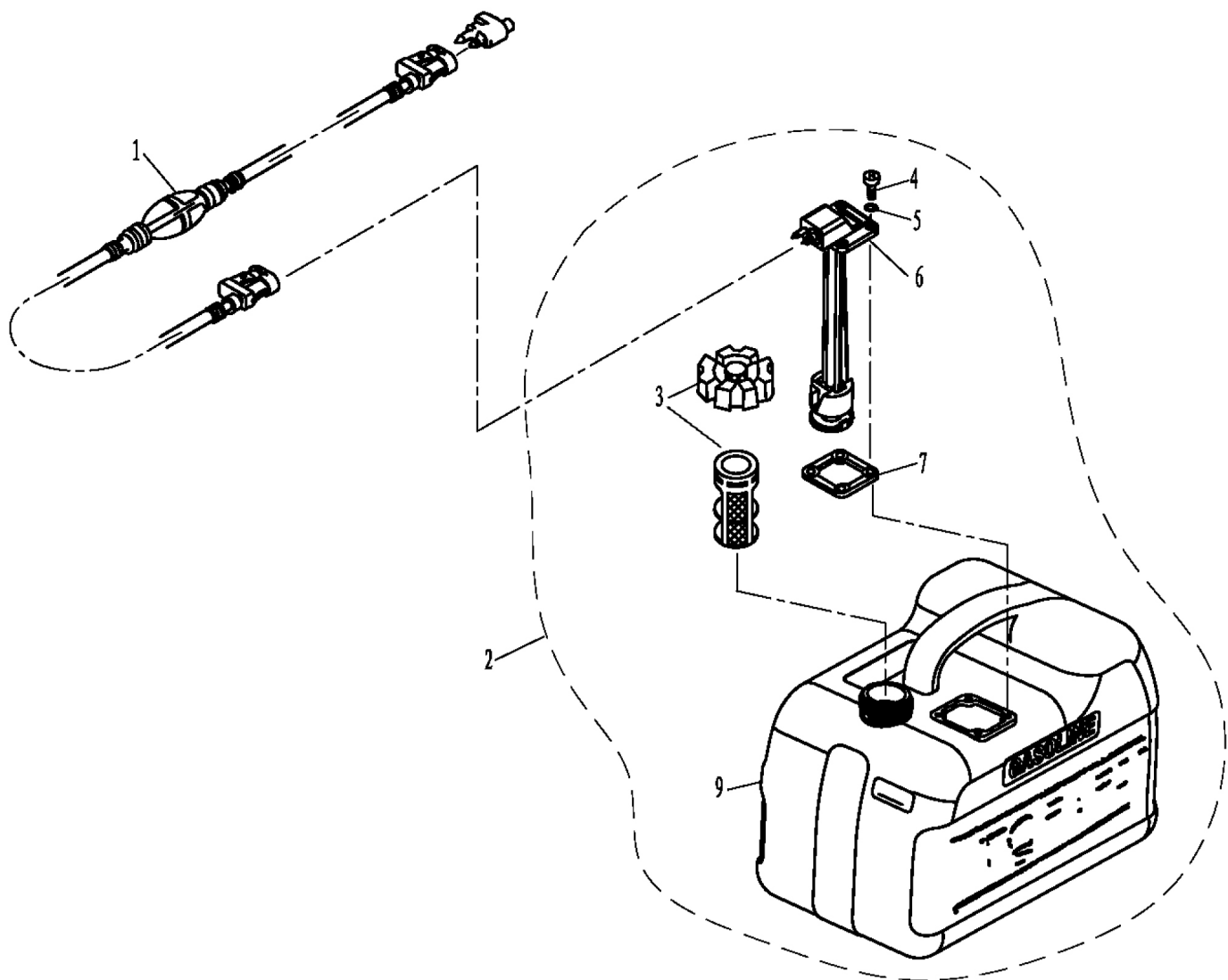
POS	QTY	PARTNUMBER	BESKRIVELSE	DESCRIPTION
1	1	417825	BRÆNDSTOFSLANGE	FUEL HOSE
2	4	408914	LÅSECLIP	LOCKING CLIPS
3	1	419096	BRÆNDSTOFPUMPE 9,8HK	FUEL PUMP
4	1	417826	O-RING	O-RING
5	2	410942	MØTRIK A4 M6	NUT M6
6	2	410960	FJEDERSKIVE RUSTFRI A4 M6	STAINLESS SPRING COLLAR M6
7	2	411528	SÆTBOLT RUSTFRI M6X30	BOLT STAINLESS M6X30
8	1	417827	BRÆNDSTOFSLANGE	FUEL HOSE
9	1	408916	BRÆNDSTOFFILTER	FUEL FILTER
10	4	411190	FLANGEBOLT RUSTFRI M4X25	STAINLESS COLLAR BOLT M4X25
11	1	408900	DÆKSEL	LID
12	1	408901	MEMBRAM	MEMBRANE
13	1	417828	PUMPEHUS	FUEL PUMP
14	1	417829	PLADE	PLATE B
15	1	417830	PLADE	PLATE A
16	1	417831	DÆKSEL	COVER BLOCK
17	2	417832	SKRUE M3X5	SCREW M3X5
18	1	408904	MEMBRAM	MEMBRANE
19	1	408905	NÅL Ø3X12	NEEDLE Ø3X12
20	1	408906	FJEDER	SPRING
21	1	408907	FJEDERSÆDE	SPRING SEAT
22	1	408908	FJEDER	SPRING
23	1	417833	DYSE	PLUNGER
24	4	410975	MØTRIK RUSTFRI A4 M4	STAINLESS NUT M4



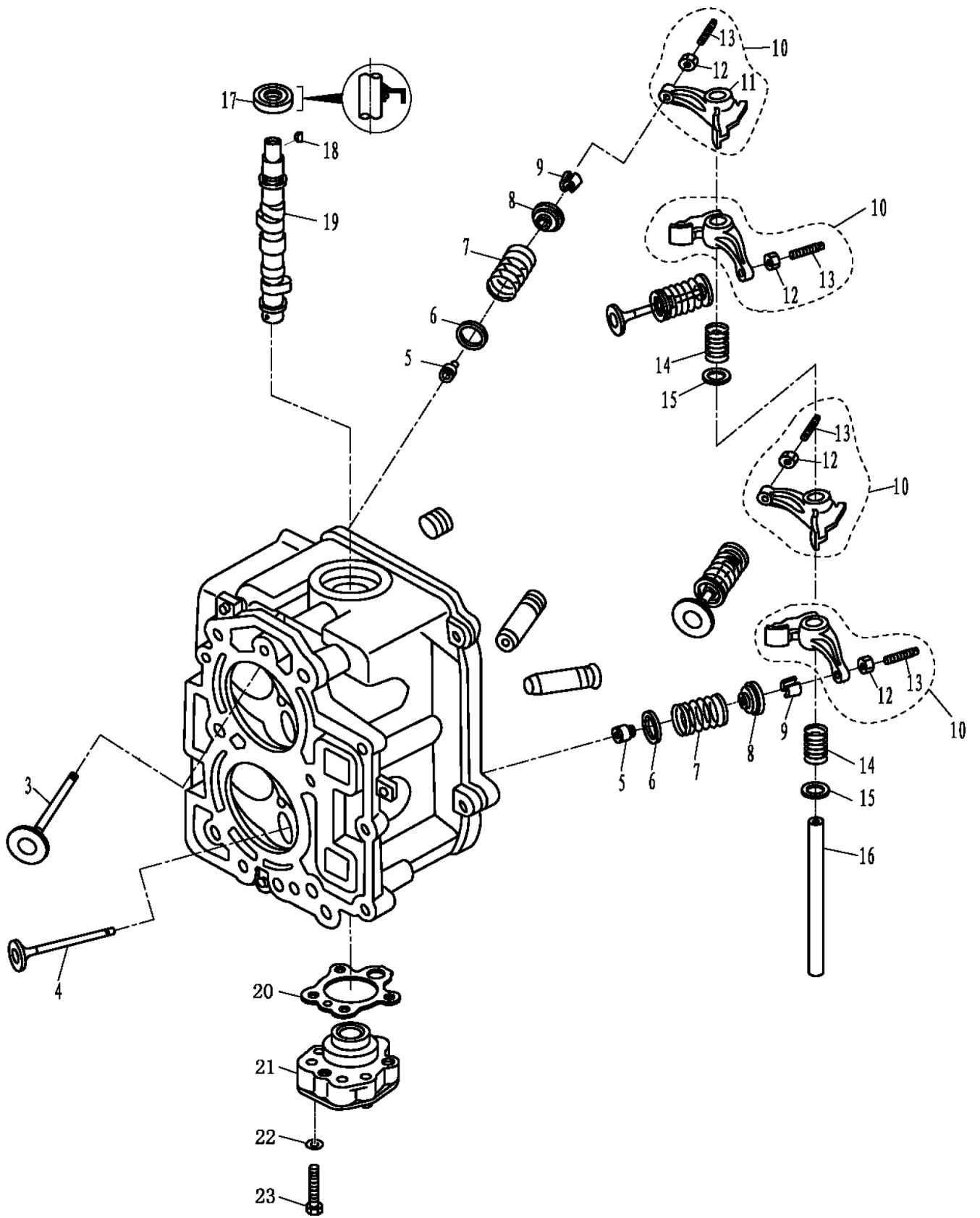
POS	QTY	PARTNUMBER	BESKRIVELSE	DESCRIPTION
1	2	417834	DÆMPER	RUBBER GROMMET A
2	1	417835	DÆKSEL	COVER
3	1	417836	DÆMPER	RUBBER GROMMET B
4	1	409915	FJEDER	SPRING
5	1	409914	FJEDER	SPRING
6	1	417837	REKYLSTARTER	STARTER ASSY
7	3	411527	SÆTBOLT RUSTFRI M6X25	BOLT STAINLESS M6X25
8	3	410942	MØTRIK A4 M6	NUT M6
9	1	409097	TILKOBLINGSKABEL 9,8	CABLE



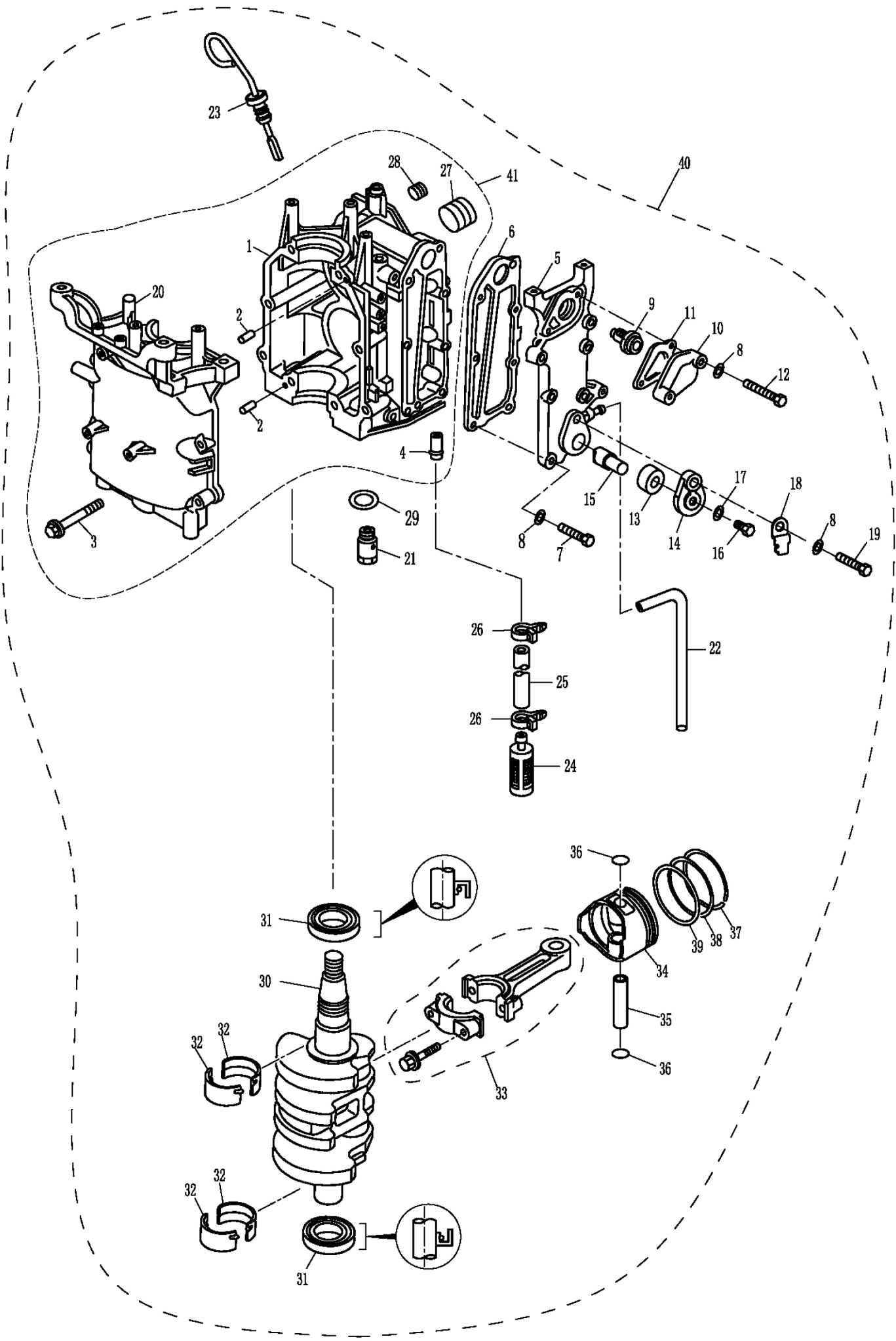
POS	QTY	PARTNUMBER	BESKRIVELSE	DESCRIPTION
2	1	417838	TOPDÆKSEL	TOP COWLING
5	4	411676	MASKINSKRUE RUSTFRI M6X15	STAINLESS MACHINE SCREW M6X15
6	1	408993	KROG	HOOK
7	4	410942	MØTRIK A4 M6	NUT M6
8	4	410977	MØTRIK RUSTFRI A4 M6	STAINLESS NUT M6
9	4	408996	GUMMISKIVE	RUBBER DISC
10	4	296040	PLADESKRUE MED SPIDS M4.8X19	PLATE SCREW M4.8X19
11	1	417839	DÆKSEL	COVER MUFFLE
12	1	417840	PAKNING	SEAL
13	1	409925	KROG	HOOK



POS	QTY	PARTNUMBER	BESKRIVELSE	DESCRIPTION
1	1	409929	BRÆNDSTOFSLANGE	FUEL HOSE
2	1	417841	BRÆNDSTOFTANK KOMPLET	FUEL TANK
3	1	409931	LÅG KOMPLET	LID
4	4	411667	MASKINSKRUE RUSTFRI M5X15	STAINLESS MACHINE SCREW M5X15
5	4	410941	PLANSKIVE RUSTFRI A4 M5	ADAPTER M5
6	1	409932	BRÆNDSTOFMÅLER	FUELGAUGE
7	1	409933	PAKNING	GASKET
9	1	417842	BRÆNDSTOFTANK 12L	FUEL TANK

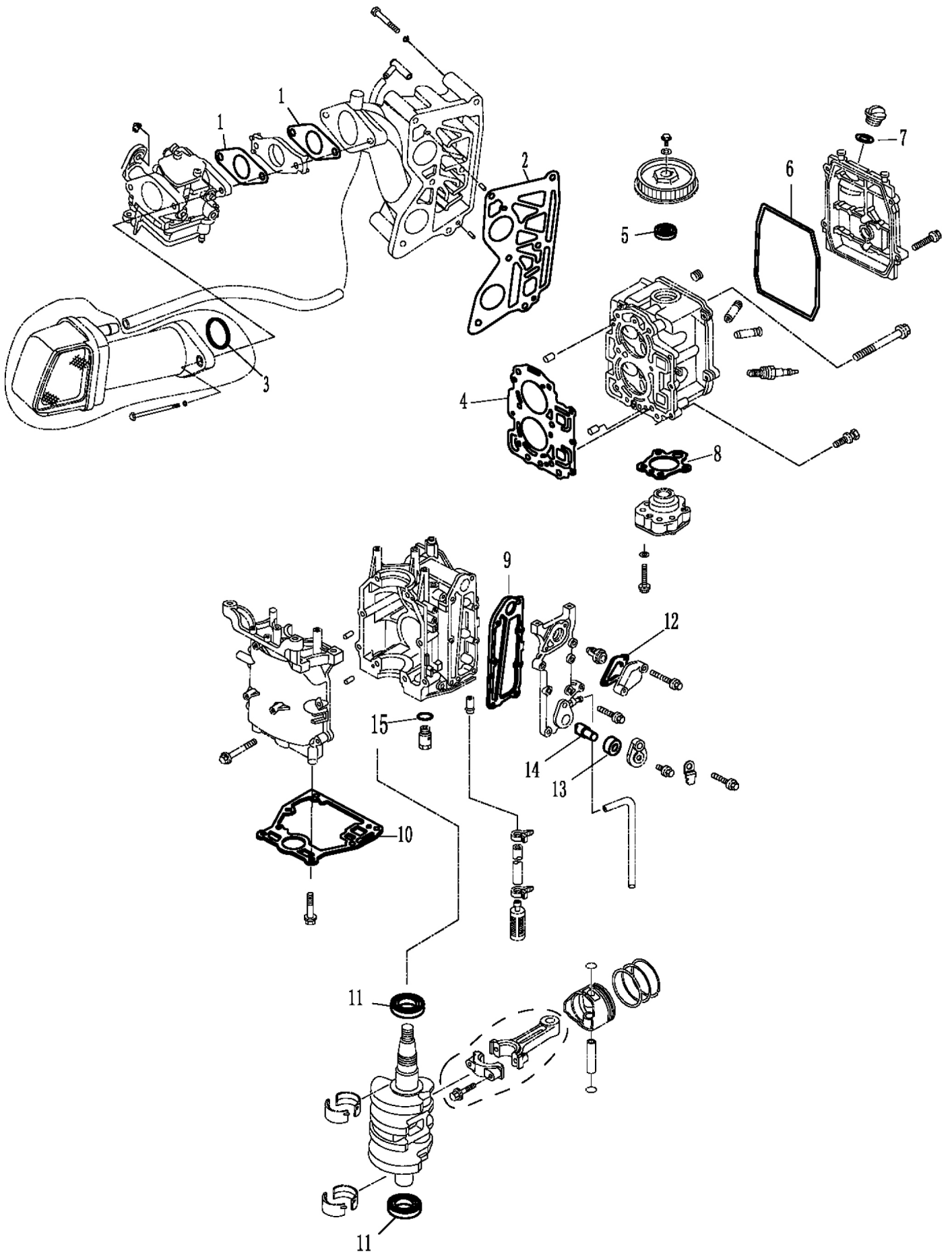


POS	QTY	PARTNUMBER	BESKRIVELSE	DESCRIPTION
3	2	417843	INDSUGNINGSVENTIL	INTAKE VALVE
4	2	417844	UDSTØDNINGSVENTIL	EXHAUST VALVE
5	4	408881	PAKDÅSE	OIL SEAL
6	4	417807	PAKNING	SEAL
7	4	417808	FJEDER	SPRING
8	4	417809	VENTILSÆDE	RETAINER
9	8	417810	LÅS	COTTER
10	4	417811	VIPPEARM KOMPLET	ROCKER ASSY
12	4	409851	LÅSEMØTRIK	LOCKING NUT
13	4	409852	SKRUE VENTILJUSTERING	ADJUSTMENT SCREW
14	2	417812	VENTILFJEDER	SPRING ROCKER
15	2	417813	BØS	BUSH
16	1	417845	AKSEL	SHAFT?ROCKER
17	1	417818	PAKDÅSE 18X35X7.8	OIL SEAL
18	1	417820	NOT	KEY
19	1	417815	KNASTAKSEL	CAMSHAFT
20	1	417817	OLIEPUMPEPAKNING	OIL PUMP GASKET
21	1	417816	OLIEPUMPE	OIL PUMP
22	3	410942	MØTRIK A4 M6	NUT M6
23	3	411529	SÆTBOLT RUSTFRI M6X35	BOLT STAINLESS M6X35

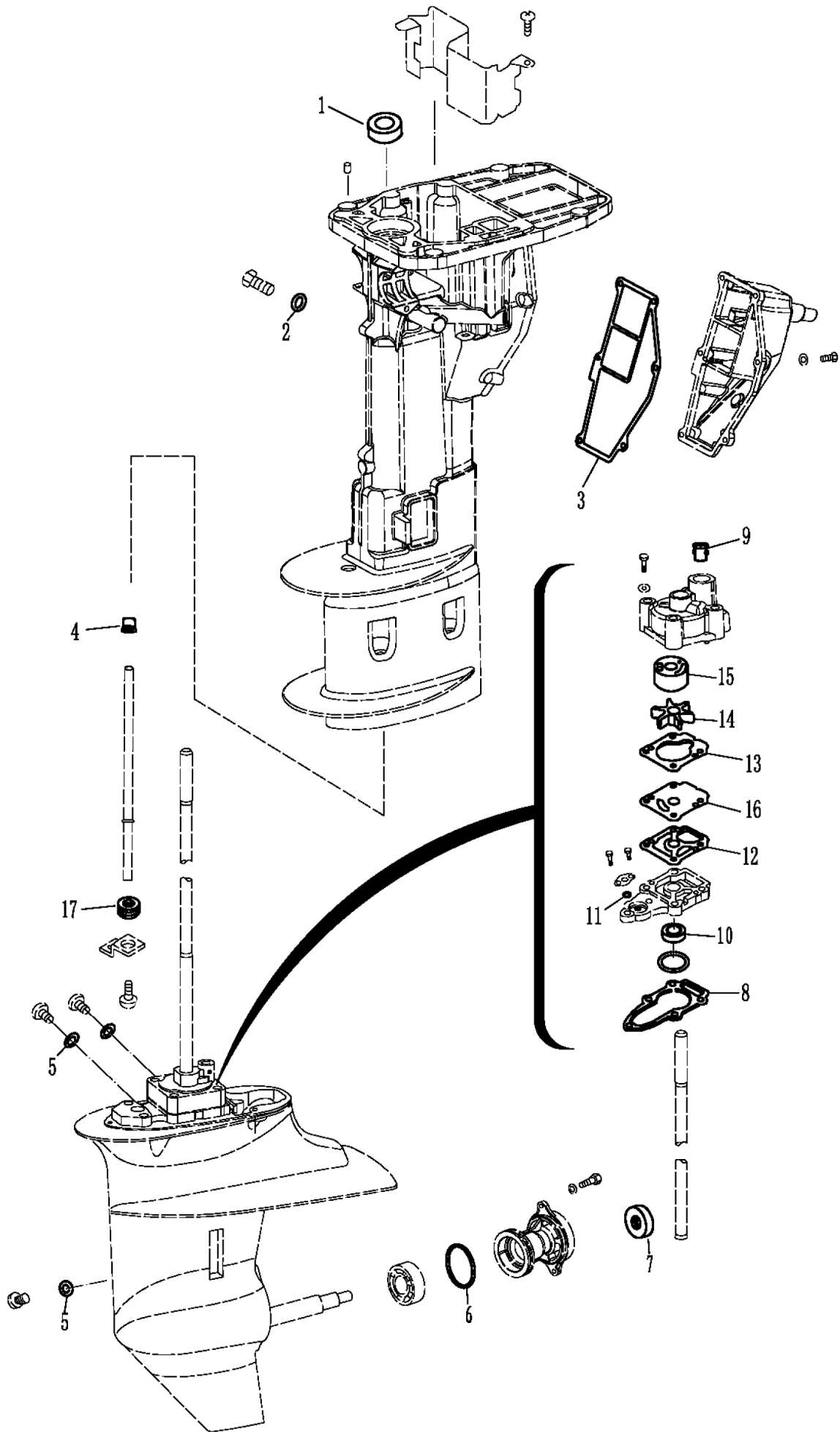




POS	QTY	PARTNUMBER	BESKRIVELSE	DESCRIPTION
1	1	417846	KRUMTAPHUS	CYLINDER CASE
2	2	409624	STYREBØS	GUIDE GLAND
3	8	90122162	FLANGEBOLT 8.8 M8X50 FZ	COLLAR BOLT M8X50 FZ
4	1	417793	KRAVE	NIPPLE
5	1	417794	PROP	EXHAUST COVER
6	1	417795	PAKNING	GASKET,EXHAUST COVER
7	5	90122132	FLANGEBOLT 8.8 M6X25 FZ	COLLAR BOLT M6X25 FZ
8	8	11GB/T9716	SKIVE M6	WASHER M6
9	1	408892	TERMOSTAT	THERMOSTAT
10	1	417796	DÆKSEL	THERMOSTAT COVER
11	1	417797	PAKNING	GASKET THERMOSTAT
12	2	90122135	FLANGEBOLT 8.8 M6X40 FZ	COLLAR BOLT M6X40 FZ
13	1	409808	BØS	BUSHING
14	1	409807	DÆKSEL	LID
15	1	409806	ANODE	ANODE
16	1	411515	SÆTBOLT RUSTFRI M5X10	BOLT STAINLESS M5X10
17	1	11GB/T9715	SKIVE M5	WASHER M5
18	1	409809	PLADE	PLATE
19	2	90122131	FLANGEBOLT 8.8 M6X20 FZ	COLLAR BOLT M6X20 FZ
21	1	417798	FILTER	PLUNGER
22	1	417760	MØTRIK	NUT,FLYWHEEL
23	1	417799	OLIEPIND	OIL LEVEL GAUGE
24	1	417800	FILTER	OIL STRAINER
25	1	417801	SLANGE	HOSE
26	2	417802	LÅS	HOOP
27	2	417783	PROP 1/4"	STOPPER
28	2	417675	MØTRIK 1/8"	NUT JAM 1/8"
29	6	417804	O-RING 13.2X1.8	O-RING
30	1	417784	KRUMTAP	CRANK
31	2	417785	PAKDÅSE	OIL SEAL
32	4	417786	BØS	BUSH
33	2	417787	PEJLESTANG	ROD,CONNECTING
34	2	417847	STEMPEL	PISTON
35	2	417789	KRYDSPIND	PISTONPIN
36	4	409831	LÅSERING	LOCKING RING
37	2	417790	STEMPELRING 1	PISTON RING I
38	2	417791	STEMPELRING 2	PISTON RING II
39	2	417792	OLIESKRABERING	OIL SEAL RING
40	1	417848	MOTOR KOMPLET	ENGINE ASSY
41	1	414672	KRUMTAPHUS KOMPLET	CRANKCASE



POS	QTY	PARTNUMBER	BESKRIVELSE	DESCRIPTION
1	2	409788	PAKNING	GASKET
2	1	417777	PAKNING	GASKET
3	1	409471	O-RING 35.5X1.8	O-RING 35.5X1.8
4	1	417779	TOPPAKNING	CYLINDER HEAD GASKET
5	1	417818	PAKDÅSE 18X35X7.8	OIL SEAL
6	1	417781	VENTILDÆKSEL PAKNING	CYLINDER GASKET
7	1	417849	O-RING	O-RING
8	1	417817	OLIEPUMPE PAKNING	OIL PUMP GASKET
9	1	417795	PAKNING	GASKET,EXHAUST COVER
10	1	417803	PAKNING	GASKET,ENGINE BASEMENT
11	2	417785	PAKDÅSE	OIL SEAL
12	1	417797	PAKNING	GASKET THERMOSTAT
13	1	409808	BØS	BUSHING
14	1	409806	ANODE	ANODE
15	1	417850	O-RING 13.2X1.8	O-RING 13.2X1.8



POS	QTY	PARTNUMBER	BESKRIVELSE	DESCRIPTION
1	1	417684	PAKDÅSE	OIL SEAL
2	1	409643	SKIVE	WASHER
3	1	417676	PAKNING	GASKET
4	1	417683	PAKNING	UPPER SEAL,WATER PIPE
5	3	408817	PAKNING	GASKET
6	1	417719	O-RING	O-RING
7	1	417726	PAKDÅSE	OIL SEAL
8	1	417735	PAKNING	GASKET
9	1	417759	PAKNING	SEAL
10	1	417734	PAKDÅSE	OIL SEAL
11	1	412062	O-RING	O-RING
12	1	417732	PAKNING	GASKET
13	1	417736	PAKNING	GASKET
14	1	417737	IMPELLER	IMPELLER
15	1	417738	IMPELLERHUS	INNER SHELL
16	1	417731	PLADE	OUTER PLATE
17	1	417681	PAKNING	SEAL