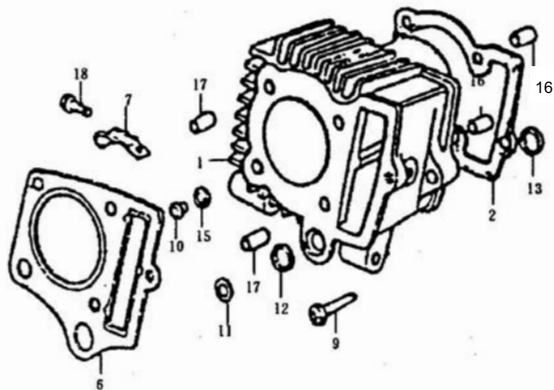
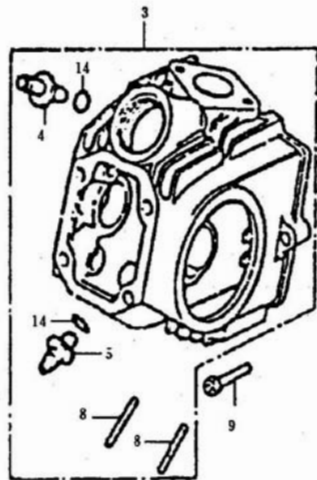
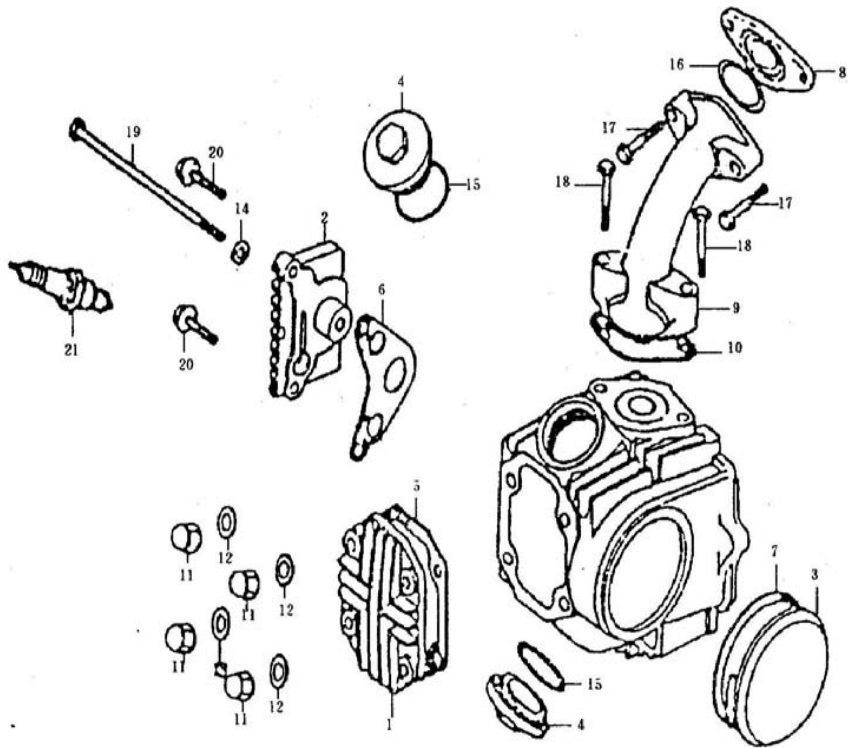


292951 : Motor komplet / engine complete



Model Texas King 100 ATV**Cylinder head and cylinder**

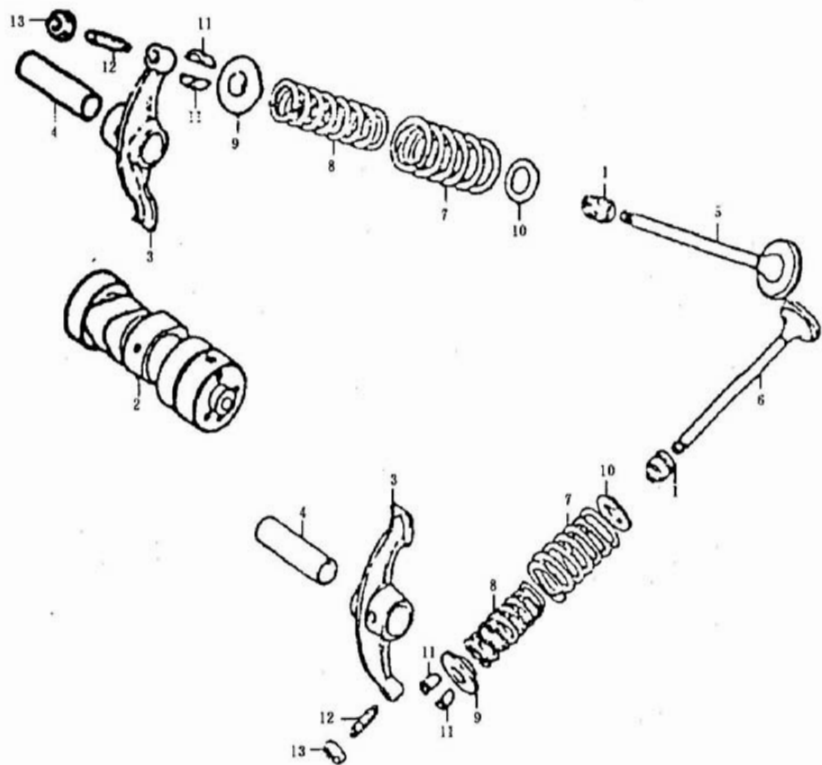
Pos	Vare nr. / Part no.	Qty	Beskrivelse	Description
1	292501	1	Cylinder	Cylinder
2	292502	1	Pakning, cylinder	Gasket, cylinder
3	292503	1	Knastakselhus	Camshaft housing
4	292504	1	Ventilstyr, indsugningsventil	Guide intake valve
5	292505	1	Ventilstyr, udstødningsventil	Guide exhaust valve
6	292506	1	Toppakning	Gasket, cylinderhead
7	292507	1	Clip, tændkabel	Clip, high-tension wire
8	292508	2	Støttebolt	Bolt, stud
9	292509	2	Bolt 6x22	Bolt 6x22
10	292510	2	Bøs	Bush
11	292511	2	Bøs	Bush
12	292512	1	Pakning	Seal ring
13	292513	1	Pakning	Seal ring
14	292514	2	O-ring	O-ring
15	292515	1	Skive	Washer
16	292516	2	Styrebøs	Pin, dowel
17	292517	2	Styrebøs	Pin, dowel
18	292518	1	Bolt 6x20	Bolt 6x20



Model Texas King 100 ATV

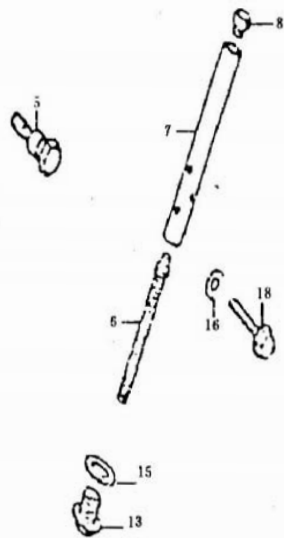
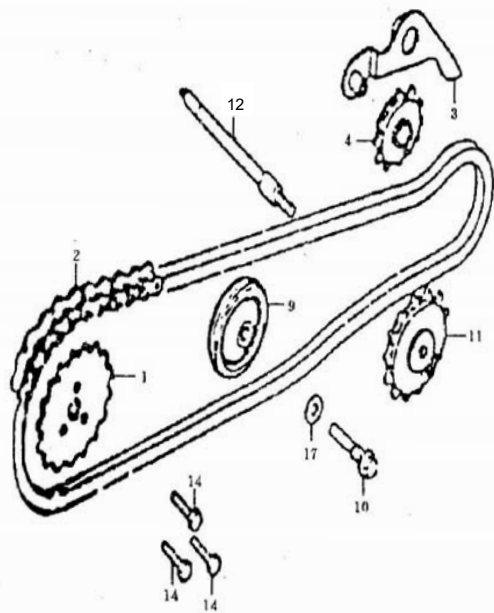
Camshaft housing, intake pipe

Pos	Vare nr. / Part no.	Qty	Beskrivelse	Description
1	292519	1	Ventildæksel	Rocker cover
2	292520	1	Side dæksel	Side cover
3	292521	1	Side dæksel, rund	Round side cover
4	292522	2	Dæksel, ventil justering	Valve cap
5	292523	1	Ventildækselspakning	Gasket, rocker cover
6	292524	1	Pakning, side dæksel	Gasket side cover
7	292525	1	Pakning, rund side dæksel	Gasket, round side cover
8	292526	1	Pakning, indsugningsrør	Gasket, carburetor
9	292527	1	Indsugningsrør	Intake pipe
10	292528	1	Pakning, indsugningsrør	Gasket, intake pipe
11	292529	4	Møtrik 6mm	Nut M6
12	292530	3	Skive	Washer
13	292531	1	Skive	Washer
14	292532	1	Skive	Washer
15	292533	2	O-ring	O-ring
16	292534	1	O-ring	O-ring
17	292535	2	Bolt 6x25	Bolt 6x25
18	292536	2	Bolt 6x30	Bolt 6x30
19	292537	1	Bolt 6x110	Bolt 6x110
20	292538	2	Bolt 6x20	Bolt 6x20
21	292539	1	Tændrør	Spark plug



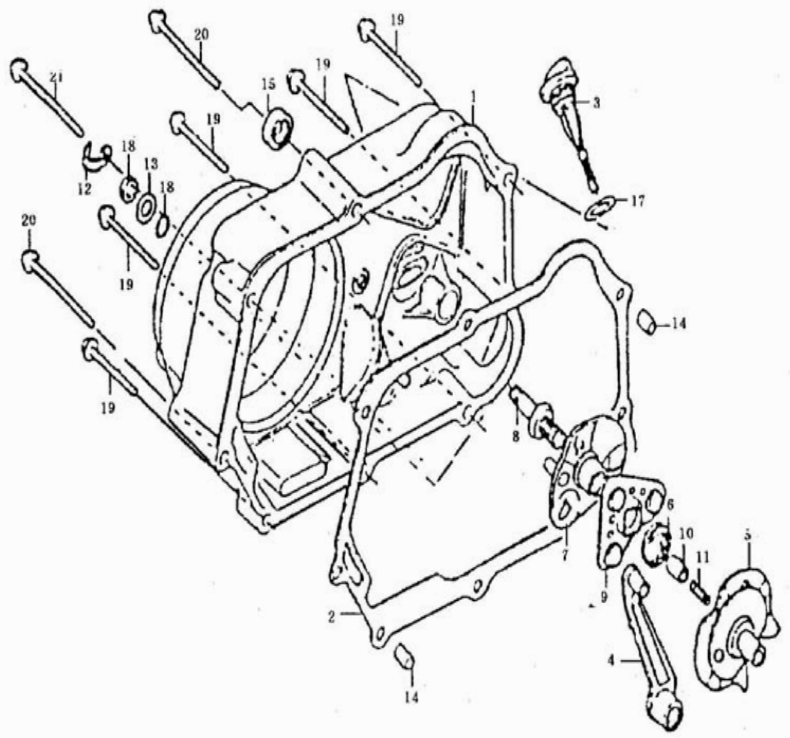
Model Texas King 100 ATV**Cam shaft and valve**

Pos	Vare nr. / Part no.	Qty	Beskrivelse	Description
1	292540	2	Pakdåse, ventilstamme	Oil seal, valve stem
2	292541	1	Knastaksel	Camshaft
3	292542	2	Vippearm	Rocker arm
4	292543	2	Vippeaksel	Axle, rocker arm
5	292544	1	Indsugningsventil	Intake valve
6	292545	1	Udstødningsventil	Exhaust valve
7	292546	2	Fjeder, udvendig	Spring, outer
8	292547	2	Fjeder, indvendig	Spring, inner
9	292548	2	Fjedersæde, top	Seat valve spring upper
10	292549	2	Fjedersæde, bund	Seat valve spring lower
11	292550	4	Lås, ventilfjeder	Retainer, valve spring
12	292551	2	Skruer	Screw, valve adjusting
13	292552	2	Kontramøtrik, ventiljusterskrue	Nut, valve adjusting



Model Texas King 100 ATV**Cam chain and tensioner**

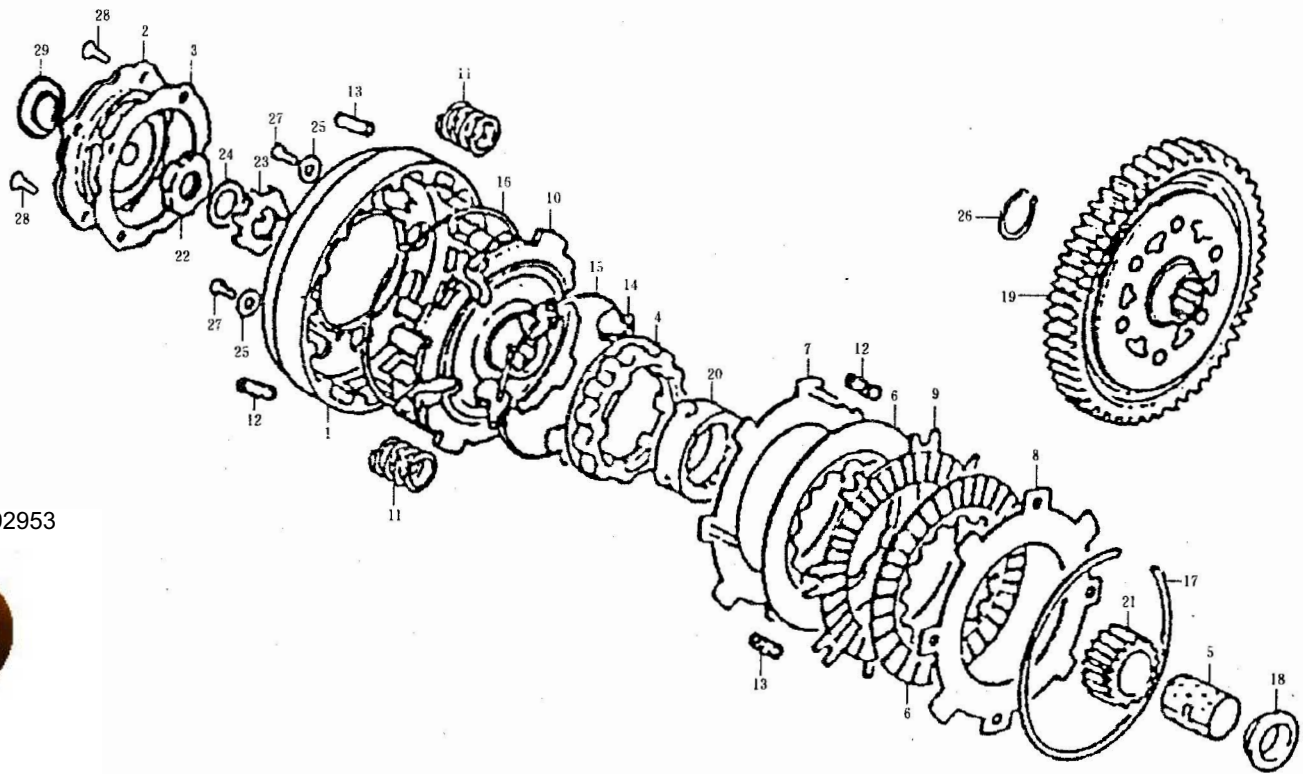
Pos	Vare nr. / Part no.	Qty	Beskrivelse	Description
1	292553	1	Gearhjul, kæde	Drive gear, timing chain
2	292554	1	Kæde, knastgear	Chain, timing
3	292555	1	Kædestrammer	Tensioner, timing chain
4	292556	1	Hjul, kædestrammer	Roller, tensioner
5	292557	1	Aksel, kædestrammer	Axle, tensioner
6	292558	1	Stang, kæsestrammer	Rod, tensioner
7	292559	1	Forlænger, kædestrammer	Extension, tensioner
8	292560	1	Endestykke, kædestrammer	End, tensioner
9	292561	1	Hjul, kædestyr	Chain guide roller
10	292562	1	Bolt, kædestyr	Bolt, guide roller axle
11	292563	1	Gearhjul, oliepumpe	Sprocket, oilpump
12	292564	1	2. Gearhjul, oliepumpe	Drive gear, timing chain
13	292565	1	Bolt	Bolt
14	292566	3	Bolt, kædehjul	Bolt, sprocket
15	292567	1	Skive	Washer
16	292568	1	Skive	Washer
17	292569	1	Skive	Washer
18	292570	1	Bolt	Bolt



Model Texas King 100 ATV

Crankcase cover right side

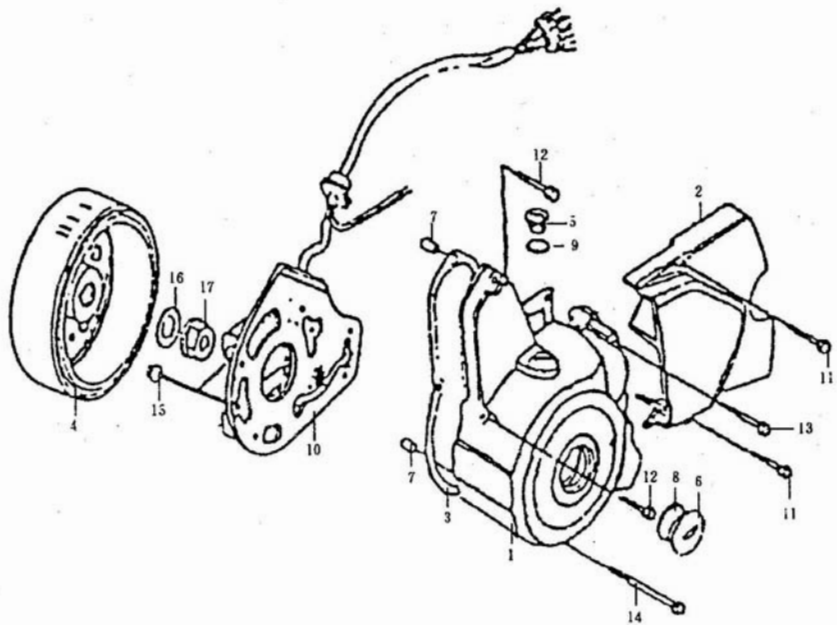
Pos	Vare nr. / Part no.	Qty	Beskrivelse	Description
1	292571	1	Sidedæksel, Højre	Crankcase cover right side
2	292572	1	Pakning, sidedæksel	Gasket, crankcase cover right side
3	292573	1	Oliepind	Gauge, oil level
4	292574	1	Koblingsarm	Lever, clutch release
5	292575	1	Udvendig koblingsplade	Clutch cam plate assy
6	292576	1	Fjeder, koblingsplader	Spring, cam plate
7	292577	1	Indvendig koblingsplade	Clutch release plate assy inner
8	292578	1	Justerbolt, kobling	Bolt, clutch adjusting
9	292579	1	Holder, koblingskugler	Support plate clutch ball
10	292580	1	Olierør	Oil pipe
11	292581	1	Fjeder, olierør	Spring, oil pipe
12	292582	1	Ledningsholder, stator	Wire clip, magneto
13	292583	1	Skive 8mm	Washer 8mm
14	292584	2	Styrebøs 8x12	Pin dowel 8x12
15	292585	1	Pakdåse	Oil seal
16	292586	1	O-ring	O-ring
17	292587	1	O-ring 18x3	O-ring 18x3
18	292588	1	Møtrik M8	Nut M8
19	292589	5	Bolt 6x40	Bolt 6x40
20	292590	2	Bolt 6x65	Bolt 6x65
21	292591	1	Bolt 6x80	Bolt 6x80



Fjedreskive : 292953



Model Texas King 100 ATV		Clutch		
Pos	Vare nr. / Part no.	Qty	Beskrivelse	Description
	292952	1	Koblings sæt	Clutch assy
1	292592	1	Koblingsskål	Clutch housing
2	292593	1	Endedæksel, koblingsskål	Clutch end cover
3	292594	1	Pakning, endedæksel	Gasket end cover
4	292595	1	Palstyr	Drive plate, clutch
5	292596	1	Bøs	Bush, axle
6	292597	2	Friktionsplade A	Friction disc A
7	292598	1	Trykplade A	Pressure plate A
8	292599	2	Trykplade B	Pressure plate B
9	292600	2	Friktionsplade B	Friction disc B
10	292601	2	Mellemgear	Intermediate gear, clutch
11	292602	4	Fjeder	Spring
12	292603	4	Fjeder 5x10	Spring 5x10
13	292604	4	Støddæpende fjeder	Shock absorber spring, clutch
14	292605	28	Pal	Start pawl spring
15	292606	1	Fjeder, pal	Pawl spring
16	292607	1	Låsering	Retainer spring
17	292608	1	Fjeder, låsering	Spring circlip
18	292609	1	Bøs 17mm	Bush, 17mm
19	292610	1	Gearhjul 69T	Primary driven gear 69T
20	292611	1	Bøs, gearhjul	Outer bush, drive gear
21	292612	1	Gearhjul 17T	Drive gear 17T
22	292613	1	Møtrik M14	Møtrik 14M
23	292614	1	Skive 14mm	Washer 14mm
24	292615	1	Skive B	Washer B
25	292616	4	Skive 14mm	Washer 14mm
26	292617	1	Låsering 17mm	Outer circlip 17mm
27	292618	4	Skruer 5x10	Screw 5x10
28	292619	4	Skruer 5x10	Screw 5x10
29	292620	1	Leje 6000	Bearing 6000



Model Texas King 100 ATV

Left crankcase cover and magneto

Pos	Vare nr. / Part no.	Qty	Beskrivelse	Description
1	292621	1	Forreste motordæksel	Front cover, engine
2	292622	1	Bagerste motordæksel	Rear cover, engine
3	292623	1	Pakning, forreste motordæksel	Gasket, front engine cover
4	292624	1	Svinghjul	Flywheel assy
5	292625	1	Dæksel, top	Cap, topview hole
6	292626	1	Dæksel, side	Center cap, front cover
7	292627	2	Styrebøs	Pin, dowel
8	292628	1	O-ring	O-ring
9	292629	1	O-ring	O-ring
10	292630	1	Stator	Stator assy
11	292631	2	Bolt 92140-06025B	Bolt 92140-06025B
12	292632	2	Bolt 92140-06032B	Bolt 92140-06032B
13	292633	1	Bolt 92140-06065B	Bolt 92140-06065B
14	292634	1	Bolt 92140-06070B	Bolt 92140-06070B
15	292635	2	Skrue 6x16	Screw 6x16
16	292636	1	Skive	Washer
17	292637	1	Møtrik	Nut

1

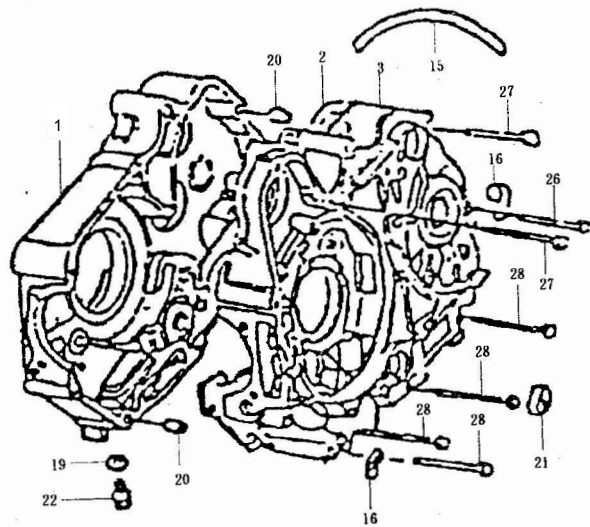
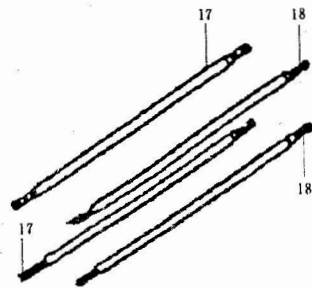
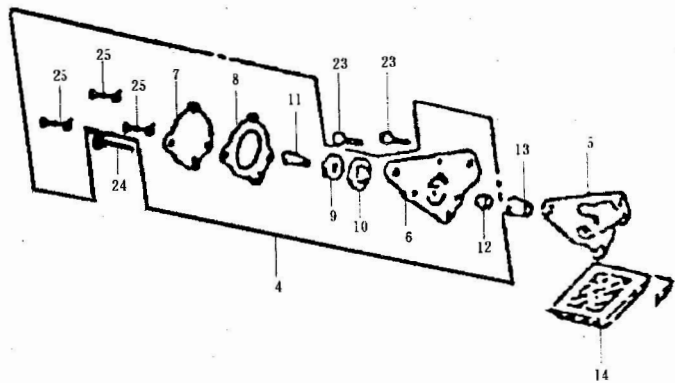


Pos	Vare nr. / Part no.	Qty	Beskrivelse	Description
1	292719	1	Firgears indikator	Indicator neutral

1

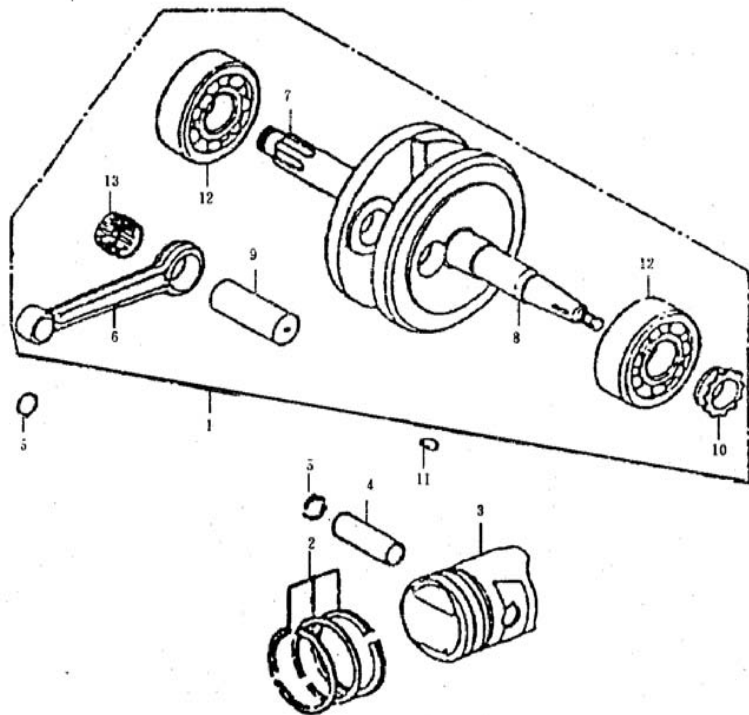


Pos	Vare nr. / Part no.	Qty	Beskrivelse	Description
1	403778	1	Plade ved svinghjul	Plate flywheel



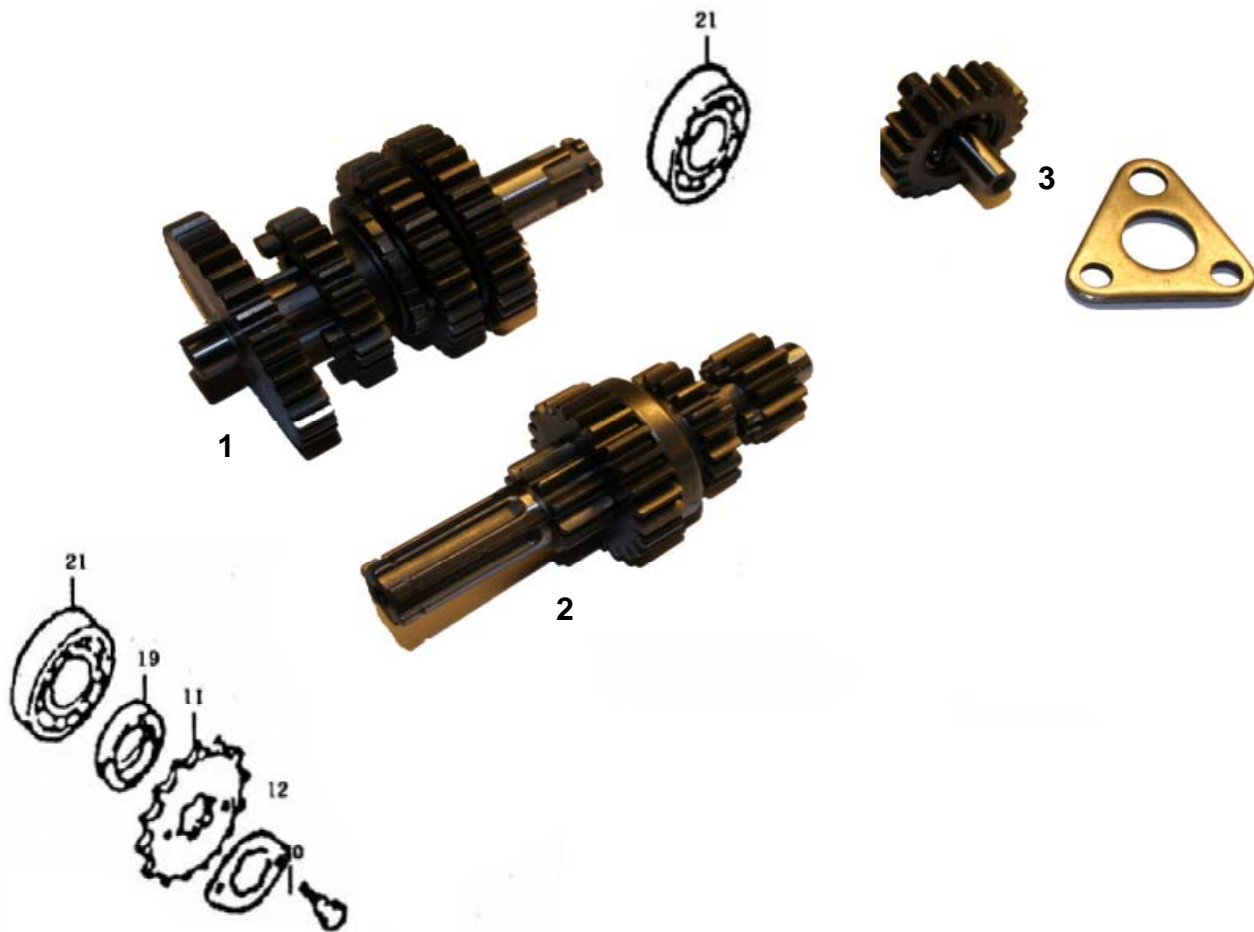
Model Texas King 100 ATV**Crankcase and oilpump**

Pos	Vare nr. / Part no.	Qty	Beskrivelse	Description
1	292638	1	Krumtapshus, højre	Crankcase assy RH
2	292639	1	Pakning, krumtapshus	Gasket for crankcase
3	292640	1	Krumtapshus, venstre	Crankcase assy LH
4	292641	1	Oliepumpe	Oil pump
5	292642	1	Pakning for oliepumpe	Gasket for oil pump
6	292643	1	Blok, oliepumpe	Block, oil pump
7	292644	1	Dæksel, oliepumpe	Cap, oil pump
8	292645	1	Pakning, dæksel	Gasket, oil pump cap
9	292646	1	Invendig rotor, oliepumpe	Inner rotor, oil pump
10	292647	1	Udvendig rotor, oliepumpe	Outer rotor, oil pump
11	292648	1	Gearhjul, oliepumpe	Drive gear shaft, oil pump
12	292649	1	Bush, gearhjul	Bush, drive gear
13	292650	1	Bush, tandhjul	Bush, sprocket
14	292651	1	Oliesi	Oil strainer assy
15	292652	1	Krumtapsudluftning	Ventilation pipe
16	292653	1	Holder for krumtapsudluftning	Clip, pipe
17	292654	2	Støttebolt A	Stud A, cylinder
18	292655	2	Støttebolt B	Stud B, cylinder
19	292656	1	Skive	Washer
20	292657	2	Styrebøs	Pin, dowel
21	292658	1	Pakdåse	Oil seal 11,5x24x10
22	292659	1	Bundskrue, motor	Oil drain bolt
23	292660	2	Skruer 6x16	Screw 6x16
24	292661	1	Skruer 6x22	Screw 6x22
25	292662	3	Skruer 5x10	Screw 5x10
	292663	3	Skive	Washer
26	292664	1	Bolt 6x50	Bolt 6x50
27	292665	2	Bolt 6x60	Bolt 6x60
28	292666	4	Bolt 6x65	Bolt 6x65

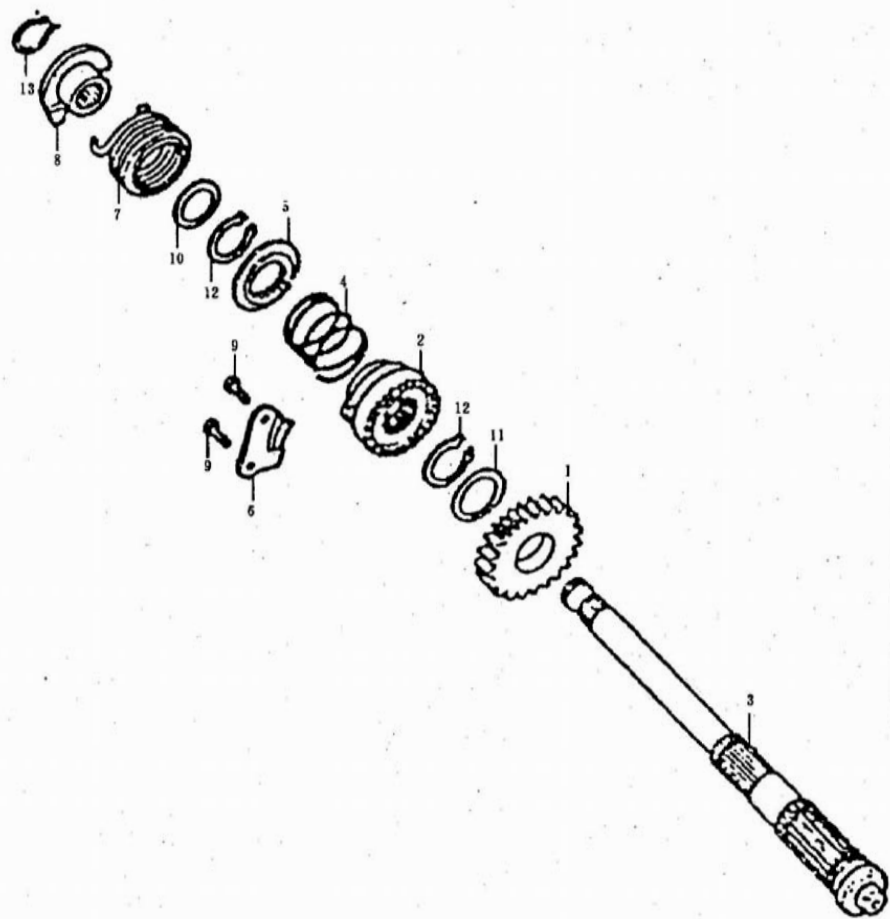


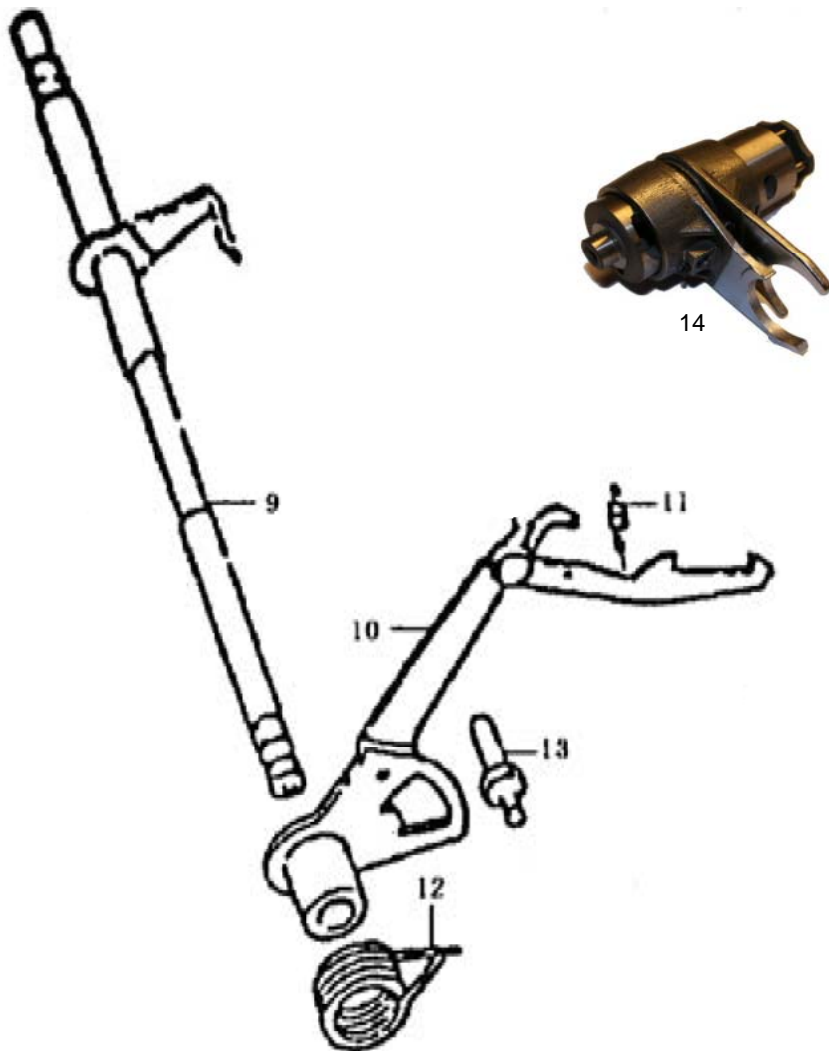
Model Texas King 100 ATV**Crankshaft and piston**

Pos	Vare nr. / Part no.	Qty	Beskrivelse	Description
1	292667	1	Krumtap med plejlstang	Crankshaft incl. Connecting rod
2	292668	1	Stempelring sæt	Ring set, piston
3	292669	1	Stempel	Piston
4	292670	1	Krydspind	Piston pin
5	292671	2	Låseringe for krydspind	Circlip, piston pin
6	Brug / Use 290667	1	Plejlstang	Connectin rod
7	Brug / Use 290667	1	Krumtapsdel, højre side	Crank RH
8	Brug / Use 290667	1	Krumtapsdel, venstre side	Crank LH
9	Brug / Use 290667	1	Krumtapsdel, center aksel	Crank pin
10	Brug / Use 290667	1	Gearhjul	Cam drive sprocket
11	292672	1	Not	Woodruf key
12	Brug / Use 290667	2	Leje D304	Ball bearing D304
13	Brug / Use 290667	1	Nåleleje, krydspind	Needle bearing, connecting rod



Pos	Vare nr. / Part no.	Qty	Beskrivelse	Description
1	292674	1	Bundaksel	Countershaft
2	292673	1	Hovedaksel	Main shaft
3	293031	1	Tandhjul med askel / plade	Sprocket with shaft and plate
10	292682	1	Gearhjul	Spline gear
11	292683	1	Tandhjul, kæde	Drive sprocket
12	292684	1	Låseplade, kædehjul	Fix plate, drive sprocket
18	292690	4	Låseclip	Circlip
19	292691	1	Pakdåse 17x29x5	Oil seal 17x29x5
20	292692	2	Leje D203	Bearing D203
	293024	1	Gear med bak kpl.	Gear assy w/ reverse





Model Texas King 100 ATV

Transmission mechanism

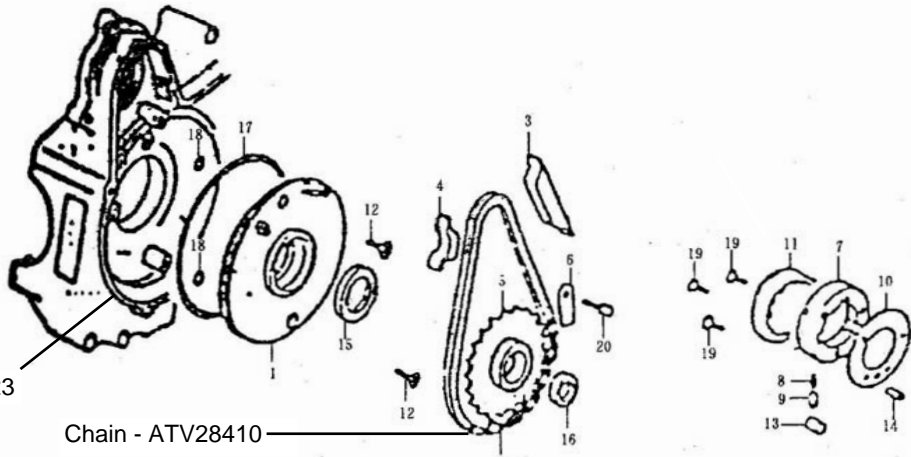
Pos	Vare nr. / Part no.	Qty	Beskrivelse	Description
9-13	292714	1	AKSEL FOR GEARKIFTER KPL.	SHAFT ASSY
14	403573	1	Gearskifter kpl.	Shift assy

Model Texas King 100 ATV**Starting mechanism**

Pos	Vare nr. / Part no.	Qty	Beskrivelse	Description
1	292693	1	Gearhjul	Starting gear
2	292694	1	Spærrehjul	Ratchet
3	292695	1	Aksel, starter	Shaft, starting gear
4	292696	1	Fjeder	Spring
5	292697	1	Sæde, fjeder	Spring seat
6	292698	1	Styreplade	Guide plate, ratchet
7	292699	1	Fjeder, kickstarter	Spring, kick start
8	292700	1	Sæde, fjeder	Spring seat
9	292701	2	Bolt 6x20	Bolt 6x20
10	292702	1	Skive	Washer
11	292703	1	Skive	Washer
12	292704	2	Låseclip	Circlip
13	292705	1	Låseclip	Circlip

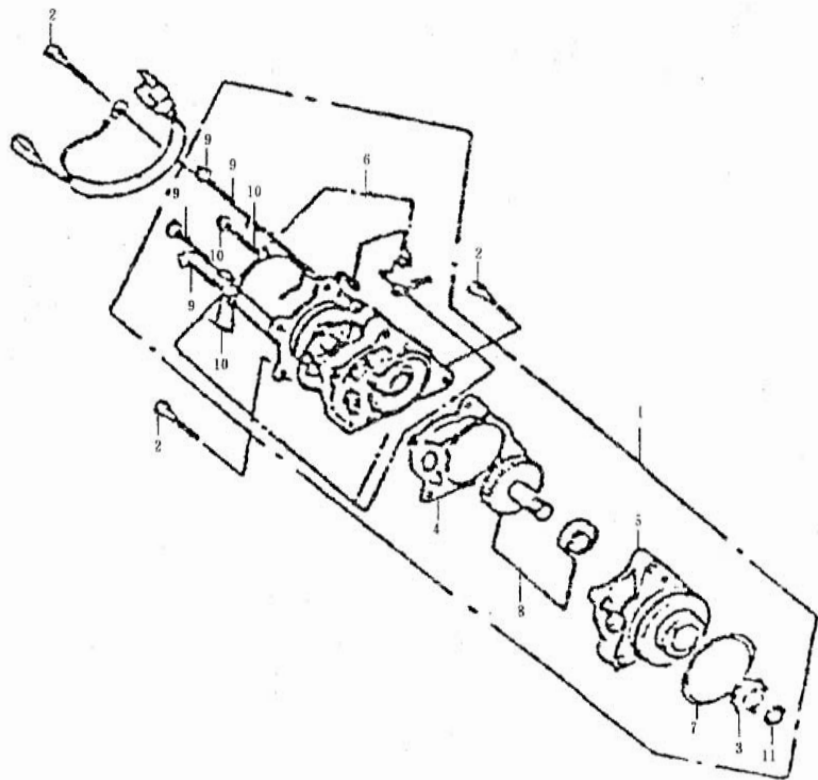
Gasket - 292623

Chain - ATV28410



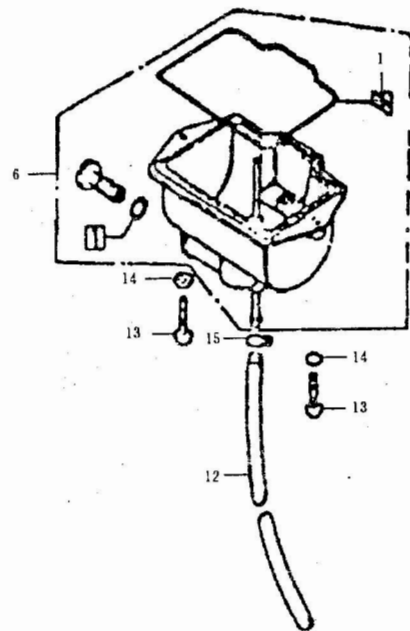
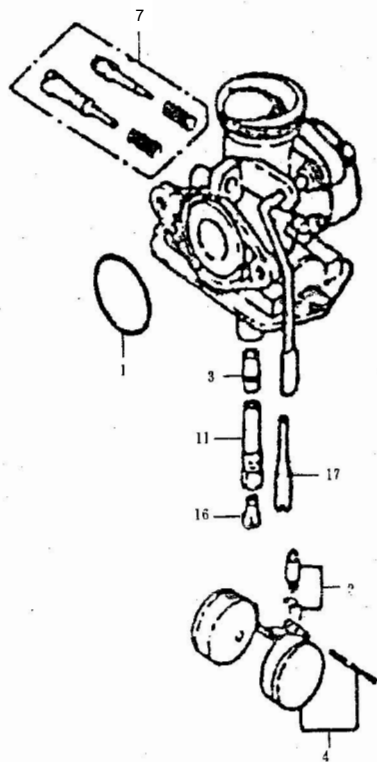
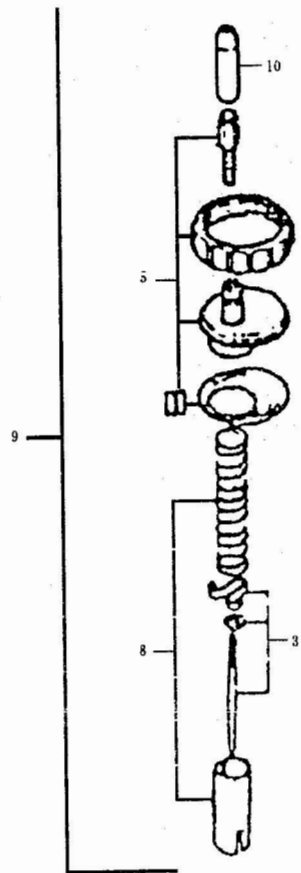
Model Texas King 100 ATV**Start clutch**

Pos	Vare nr. / Part no.	Qty	Beskrivelse	Description
1	292725	1	Dæksel	Cover plate
2	292726	1	Gearhjul, starter	Drive chain, electric starter
3	292727	1	Kædestyr	Guide plate, chain
4	292728	1	Strammeplade, kæde	Tension plate, chain
5	292729	1	Gearhjul	Gear assy, electric starter
6	292730	1	Plade	Plate
7	292731	3	Envejsenhed	One-way unit
8	292732	3	Fjeder	Spring
9	292733	3	Konisk tap	Cone plug
10	292734	1	Mellemstykke	Spacer
11	292735	1	Hus, envejsenhed	Housing, one-way unit
12	292736		Skrue M6x16	Screw M6x16
13	292737	3	Rulle	Roller
14	292738	1	Låsepind	Roller, location pin
15	292739	1	Pakdåse 30x42x9,5	Oil seal 30x42x9,5
16	292740	1	Pakdåse	Oil seal
17	292741	1	O-ring	O-ring
18	292742	2	O-ring	O-ring
19	292743	3	Skrue	Screw
20	292744	1	Bolt	Bolt 92140-06012



Model Texas King 100 ATV**Starting motor**

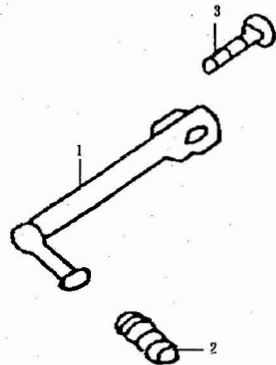
Pos	Vare nr. / Part no.	Qty	Beskrivelse	Description
1	292745	1	Starter komplet	Starting motor complete
2	292746	3	Bolt M6x45	Bolt M6x45
3	292747	1	Gear	Drive sprocket, electric starter
4	292748	1	Gummiafdækning	Rubber cover
5	292749	1	Dæksel	End cover
6	Brug / Use 292745	1	Startermotor	Motor assy
7	292750	1	Gummiring	Rubber ring
8	Brug / Use 292745	1	Gear sæt	Gear assy
9	292751	4	Skrue M5x30	Screw assy M5x30
10	292752	4	Skive	Washer
11	292753	1	Skive	Washer

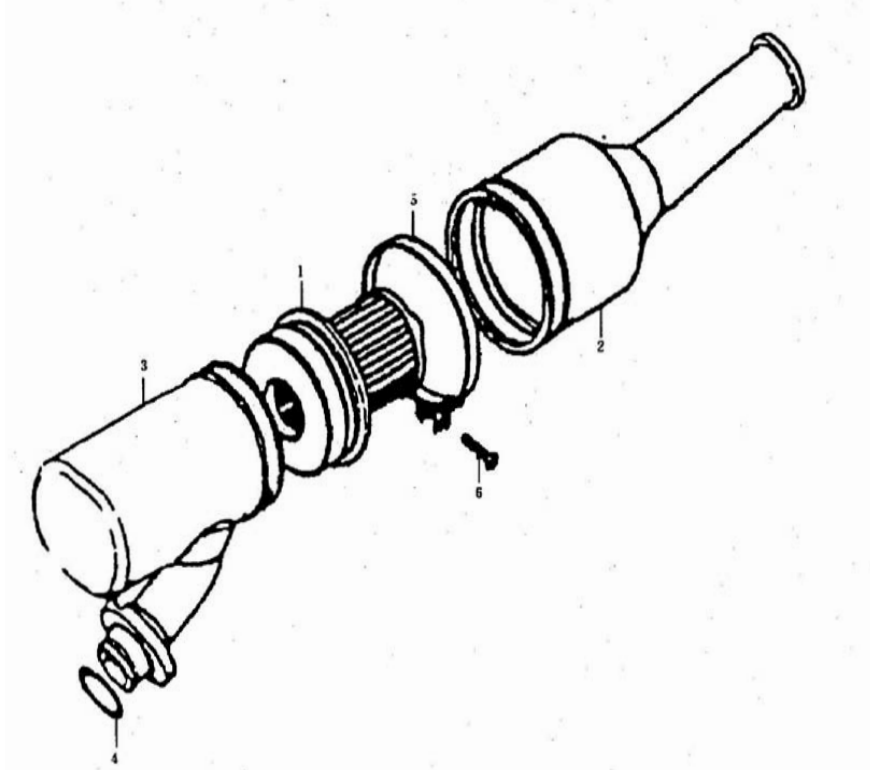


Model Texas King 100 ATV		Carburetor		
Pos	Vare nr. / Part no.	Qty	Beskrivelse	Description
1	292754	1	O-ring	O-ring
	292755	1	Pakning	Gasket
	292756	1	O-ring	O-ring
	292757	1	Tætningsring	Seal ring
2	292758	1	Fjeder, nåleventil	Spring, float needle
	292759	1	Nåleventil	Float needle assy
3	292760	1	Olie dyse	Oil needle
	292761	1	Låseclip	Circlip, oil needle adjusting
	292762	1	Fjeder, nåleventilsæde	Spring, needle seat
	292763	1	Dyse	Jet
	292764	1	Dyse	Jet
4	292765	1	Svømmer	Float assy
	292766	1	Pind, svømmer	Pin Float
5	292767	1	Justermøtrik	Nut, lacing wire adjusting
	292768	1	Top, venturi	Cap, plunger
	292769	1	Møtrik, venturi	Nut plunger cap
6	N/A			
7	292770	1	Fjeder, tomgangsskrue	Spring idle speed adjusting
	292771	1	Tomgangsskrue	Screw, idle speed adjusting
	292772	1	Fjeder, blandings skrue	Spring, plunger adjusting
	292773	1	Blandingskrue	Screw, plunger adjusting
8	292774	1	Fjeder	Spring, plunger return
	292775	1	Venturi	Plunger
9	292979	1	Karburator kpl.	Carburetor assy
10	292776	1	Støvhætte	Bush, dust proof
11	292777	1	Strålerør	Main tube
12	292778	1	Overløbsslange	Overflow tube
13	292779	2	Skrue	Screw
14	292780	2	Skive	Washer
15	292781	1	Låseclip	Ring, lock
16	292782	1	Hoveddyse	Main jet
17	292783	1	Accelerationsdyse	Idle tube

FIG. 16

Gearpedal komplet
Gearshifter assy : 292784



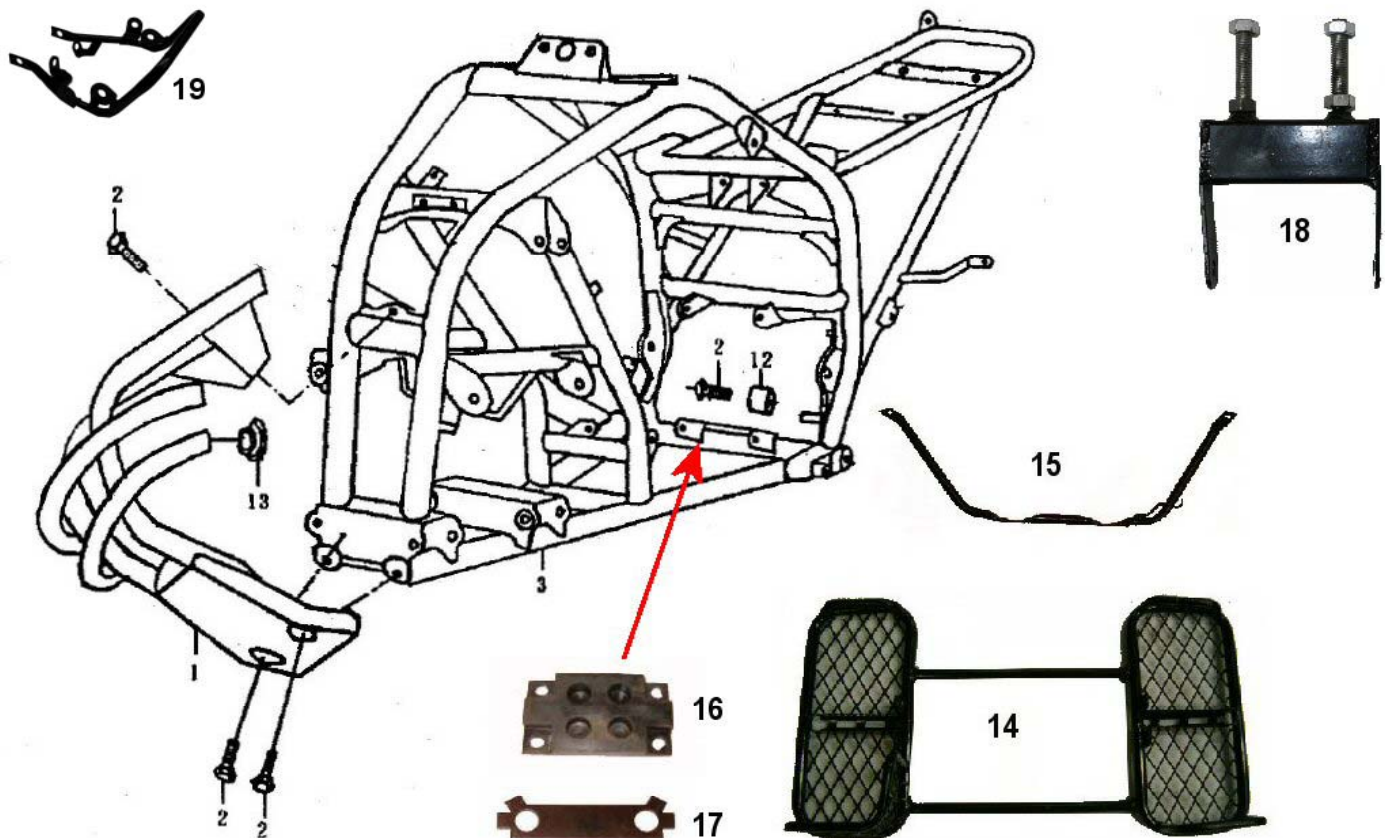




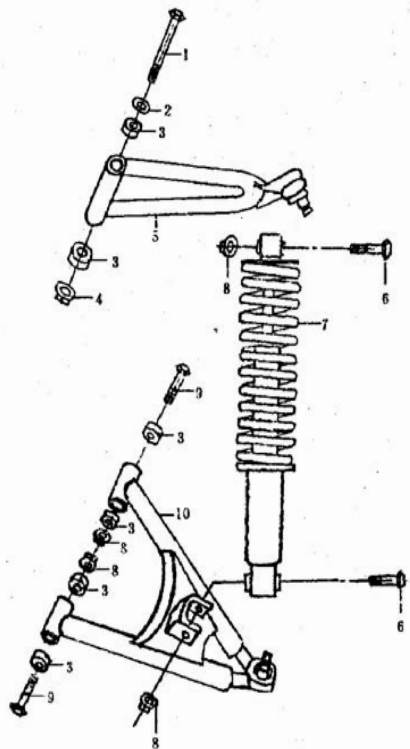
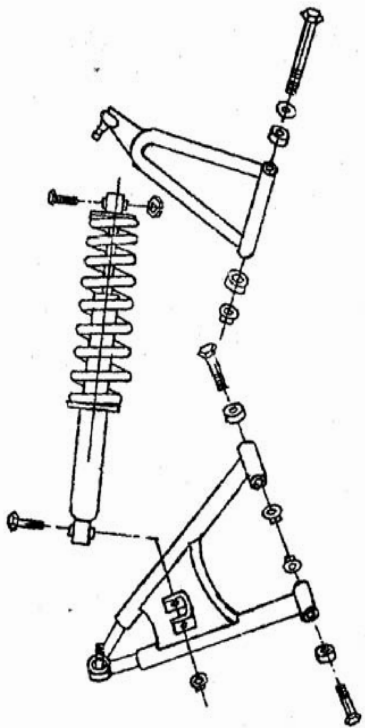
Model	Texas King 100 ATV	Air filter
--------------	---------------------------	-------------------

Pos	Vare nr. / Part no.	Qty	Beskrivelse	Description
------------	----------------------------	------------	--------------------	--------------------

1	292787	1	Luftfilter	Air filter element
---	--------	---	------------	--------------------



Model Texas King 100 ATV		Frame assy		
Pos	Vare nr. / Part no.	Qty	Beskrivelse	Description
1	292793	1	Front, chassis	Safety lever
2	292794	7	Bolt M8x15	Bolt M8x15
3	292795	1	Chassis	Frame
12	292804	2	Kædestyr	Chain guide
13	292805	4	Endeprop	End sleeve rubber
14	292959	1	Fodhviler	Footrest
15	292960	1	Beslag for fodhviler	Bracket for footrest
16	292977	1	Gummibeslag under motor	Rubber under engine
17	292978	2	Låsebeslag	Lock bracket
18	293023	1	Beslag for motor	Bracket for engine
19	293022	1	Beslag for lygte	Bracket for light

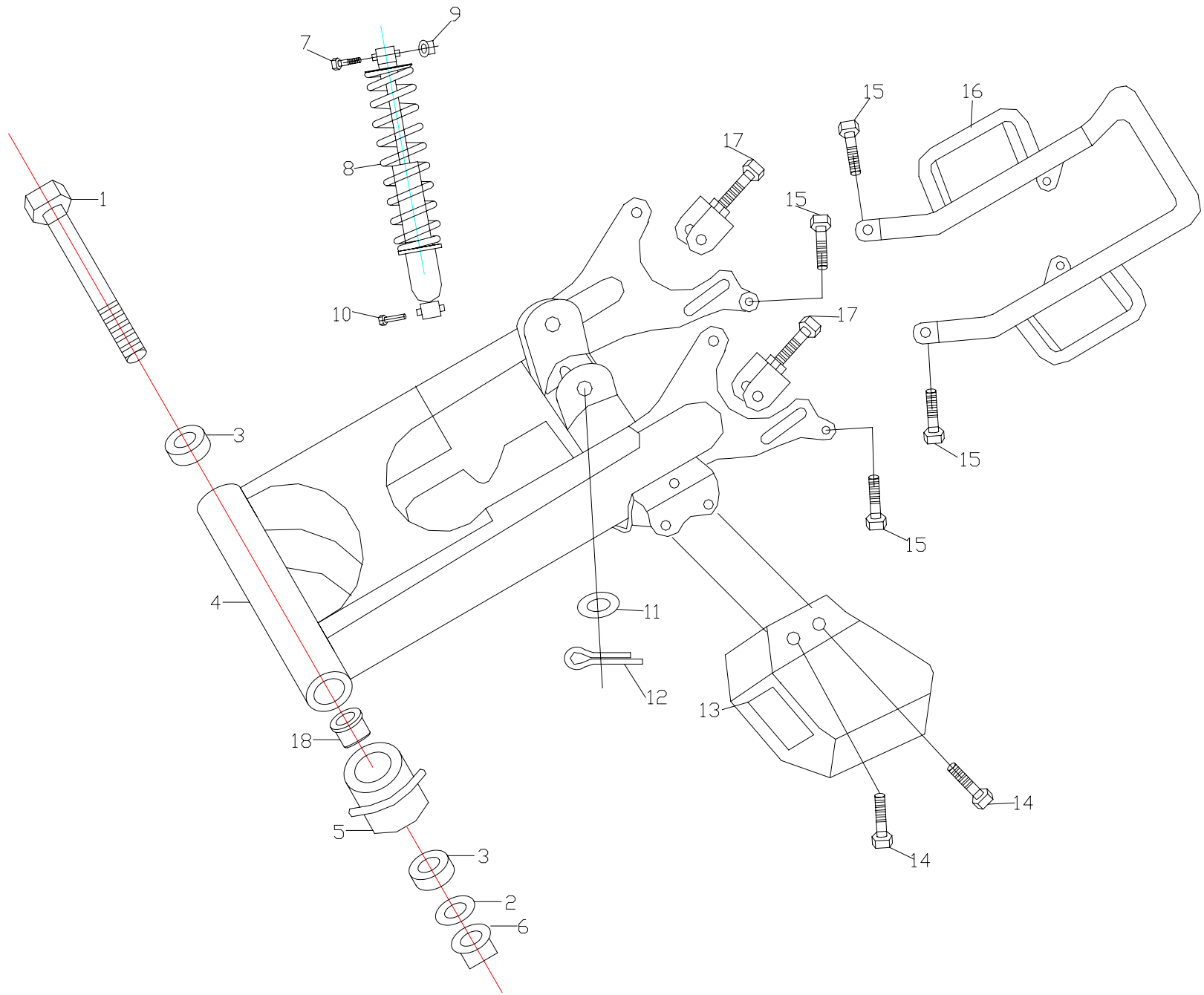


Pos	Vare nr. / Part no.	Qty	Beskrivelse	Description
1	292806	1	Bolt	Bolt
2	292807	2	Skive	Washer 10
3	292808	6	Bøs	Bush
4	292809	1	Møtrik M10	Nut M10
5	292810	1	Venstre øverste bæream	Rocker arm upper LH
	292811	1	Højre øverste bæream	Rocker arm Upper RH
6	292812	2	Bolt	Bolt
7	292813	1	Støddæmpre, front	Shock absorber, front
8	292809	4	Møtrik M10	Nut M10
9	292814	2	Bolt	Bolt
10	292815	1	Venstre nederste bæream	Rocker arm lower LH
	292954	1	Højre nederste bæream	Rocker arm lower RH

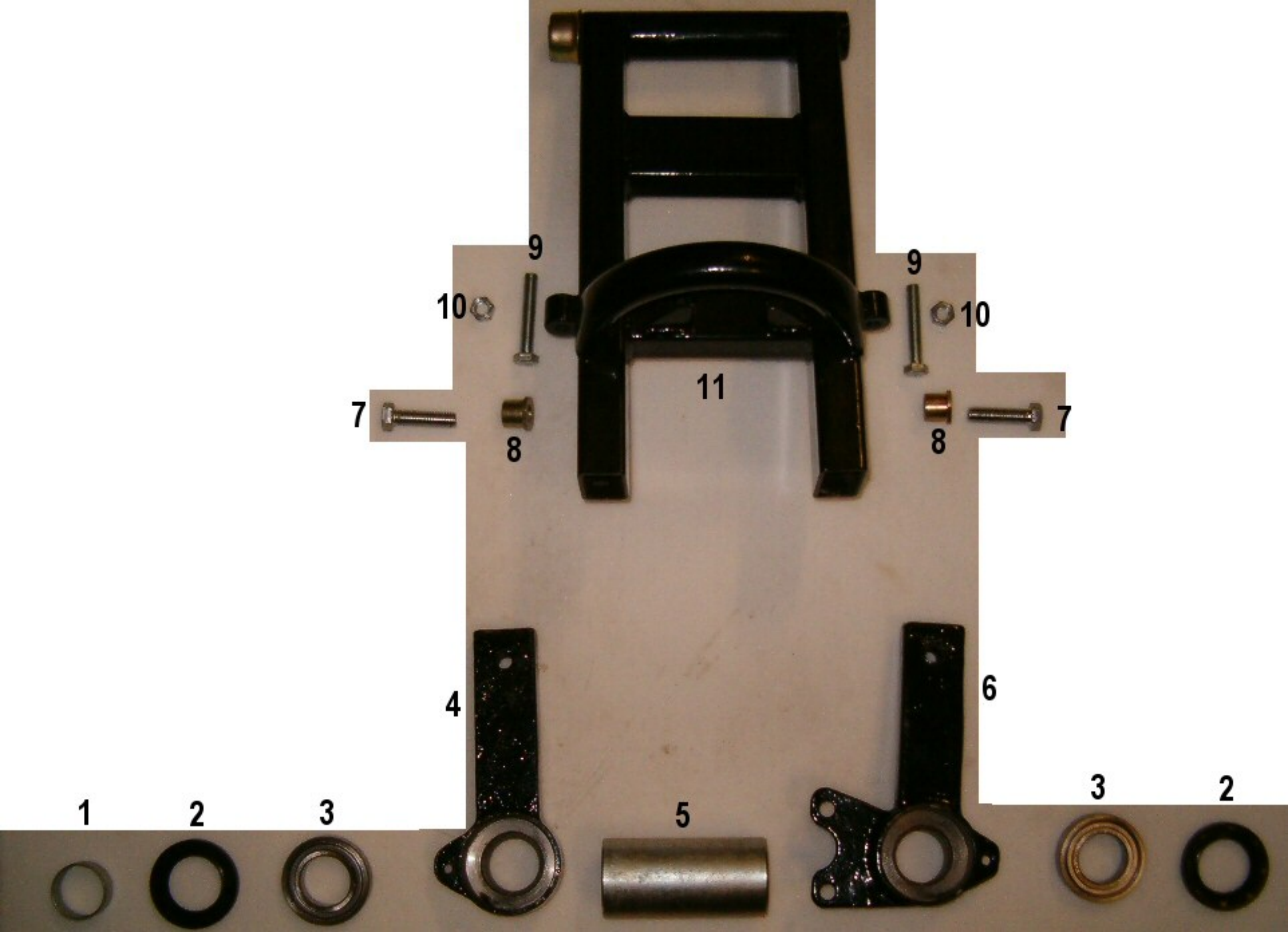
1



Pos	Vare nr. / Part no.	Qty	Beskrivelse	Description
1	600064	1	Støvhætte	Dust cap

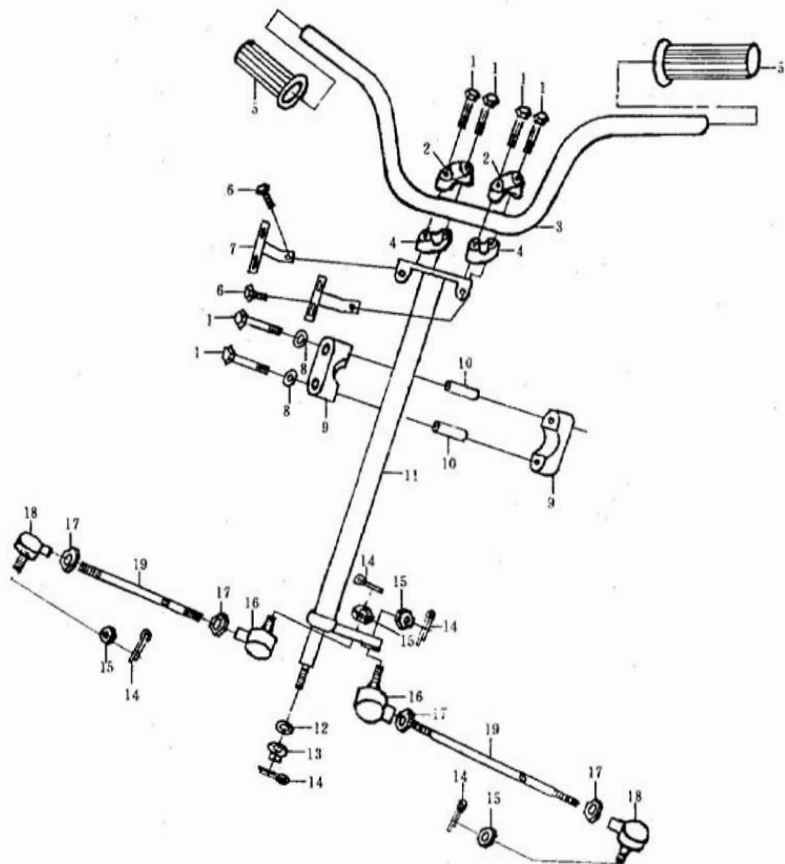


Model Texas King 100 ATV		Rear wishbone assy		
Pos	Vare nr. / Part no.	Qty	Beskrivelse	Description
1	292816	1	Aksel, svingarm	Shaft assy, swing arm
2	292817	2	Skive 14	Washer 14
3	292818	2	Dæksel	Cover
4	292819	1	Bagerste svingarm	Rear wishbone
5	292820	1	Bøs	Bush
6	292821	1	Møtrik M14	Nut M14
7	292822	1	Bolt	Bolt
8	292823	1	Bagerste støddæmper	Absorber rear
9	292824	1	Møtrik M10	Nut M10
10	292825	1	Splitbolt	Pin, shaft
11	292826	1	Skive 12	Washer 12
12	292827	1	Split	Pin, cotter
13	292828	1	Kædestyr	Chain guide
14	292829	2	Bolt M8x15	Bolt M8x15
15	292830	4	Bolt M8x15	Bolt M8x15
16	292831	1	Afskærmning	Guard
17	292832	2	Justerbeslag, kæde	Adjustor, chain
18	293027	2	Bøs for bagaksel	Bush for rear axel



Model Texas King 100 ATV**Rear Wishbone****NEW**

Pos	Vare nr. / Part no.	Qty	Beskrivelse	Description
1	292962	1	Mellemstykke	Spacer
2	292928	2	Pakdåde	Oilseal
3	292929	2	Leje	Bearing
4	292963	1	Arm for bagsving venstre	Arm for wishbone left
5	292964	1	Bøs	Bush
6	292965	1	Arm for bagsving højre	Arm for wishbone right
7	292966	2	Bolt M12 x 45	Bolt M12 x 45
8	292967	2	Bøs	Bush
9	292968	2	Bolt M10 x 60	Bolt M10 x 60
10	292969	2	Møtrik M10	Nut M10
11	292970	1	Bagsving	Wishbone



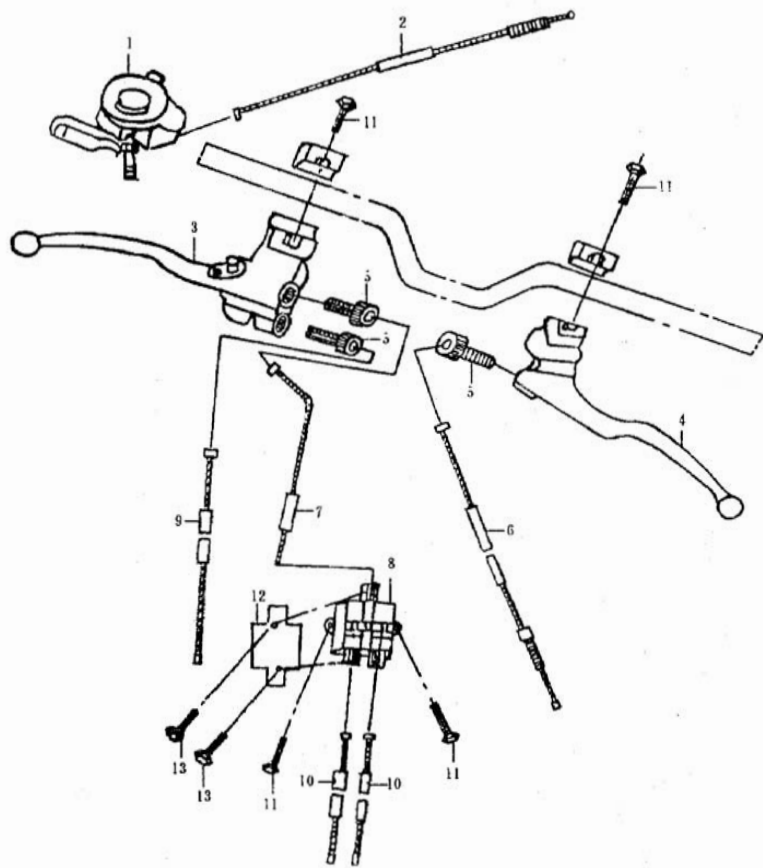
Støvhætte : 600064
 Duat cap



20

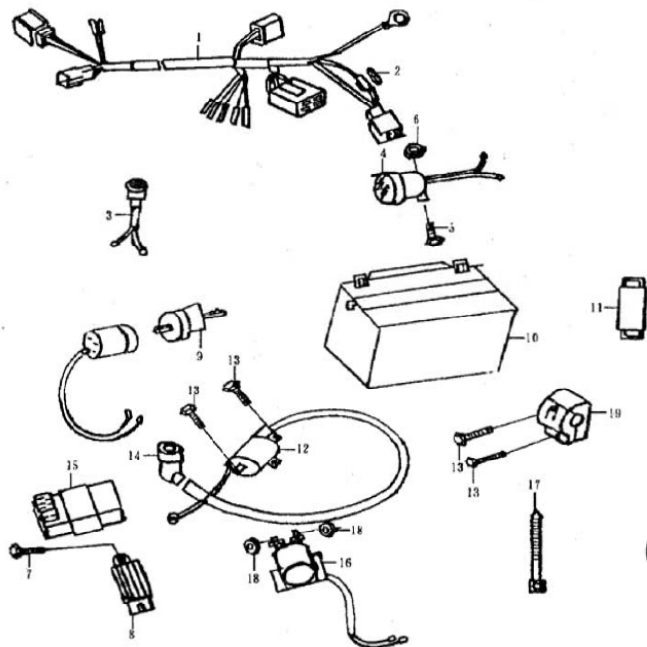
21: Komplet sporestang
 Steeringarm assy

Model Texas King 100 ATV		Handle bar assy		
Pos	Vare nr. / Part no.	Qty	Beskrivelse	Description
1	292833	6	Bolt M8x55	Bolt M8x55
2	292834	2	Beslag til styr, øverste	Clamp, handle bar upper
3	292835	1	Styr	Handle bar
4	292836	2	Beslag til styr, nederste	Clamp, handle bar lower
5	292837	2	Håndtag	Grip
6	292838	2	Bolt M8x15	Bolt M8x15
7	292839	2	Holder	Support
8	292840	2	Skive 8mm	Washer 8
9	292841	2	Beslag, styraksel	Sleeve, shaft
10	292842	2	Bøs	Bush
11	292843	1	Styraksel	Steering shaft assy
12	292844	1	Skive 10	Washer 10
13	292845	1	Møtrik M10	Nut M10
14	292846	4	Split	Pin cotter
15	292847	2	Møtrik M10	Nut M10
16	292848	2	Styrekugle, venstre	Tie rod LH
17	292849	4	Møtrik M10	Nut M10
18	292850	2	Styrekugle, højre	Tie rod RH
19	292851	2	Sporestang	Steering bar
20	292496	1	Beslag for sporestang	Bracket for steeringarm
21	292497	2	Komplet sporestang	Steeringarm assy



Model Texas King 100 ATV**Cables**

Pos	Vare nr. / Part no.	Qty	Beskrivelse	Description
1	292852	1	Gashåndtag	Throttle lever
2	292853	1	Gaskabel	Throttle cable
3	292854	1	Bremsehåndtag	Brake lever
4	292855	1	Koblingshåndtag	Lever, clutch
5	292856	3	Justerskruer	Adjuster, cable
6	292857	1	Koblingskabel	Cable, clutch
7	292858	1	Bremsekable øverst, forhjul	Front brake drive cable
8	292859	1	Fordelerbox	Branch box
9	292860	1	Cable parkerings bremse	Cable, parking
10	292861	2	Bremsekabel, hjulside, forhjul	Front brake driven cable, wheel side
11	292862	2	Bolt M6x20	Bolt M6x20
12	292863	1	Gummitætning	Boot
13	292864	2	Bolt M3x15	Bolt M3x15



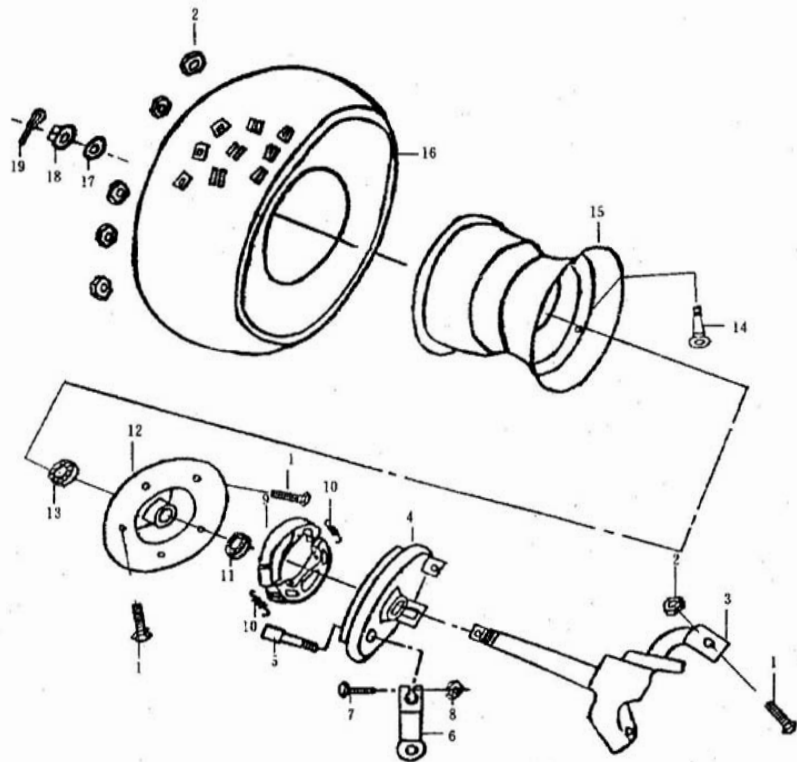
Timetæller / hour counter :
290165



20: Bulb 12V 35/35W
21: Bulb 12V 1,7W

Model Texas King 100 ATV**Electrical equipment**

Pos	Vare nr. / Part no.	Qty	Beskrivelse	Description
1	292865	1	Ledningsnet	Wiring harness
2	292866	1	Sikring	Fuse
3	292867	1	Indicatorlampe	Idling lamp
4	292868	2	Forlygte	Headlamp
5	292869	2	Bolt M8x15	Bolt M8x15
6	292870	2	Møtrik M8	Nut M8
7	292871	1	Bolt M6x20	Bolt M6x20
8	292872	1	Ensretter	Rectifier assy
9	292873	1	Tændingslås	Ignition switch
10	292874	1	Batteri	Battery
11	292875	1	Strop, batteri	Band, battery
12	292876	1	Tændspole	Coil, ignition
13	292877	1	Møtrik M6	Nut M6
14	292878	1	Tændrørshætte	Cap, spark plug
15	292879	1	CDI enhed	CDI unit
16	292880	1	Starter relæ	Relay starting motor
17	292881	6	Beslag	Clamp
18	292882	2	Møtrik M6	Nut M6
19	292439	1	Kontakt	Switch
20	292481	1	Pære, forlygte 12V 35/35W	Bulb, headlight 12V 35/35W
21	292482	1	Pære, gearindikator 12V 1,7W	Bulb, indicator lamp 12V 1,7W
22	292976	1	Baglygte	Rearlight



20

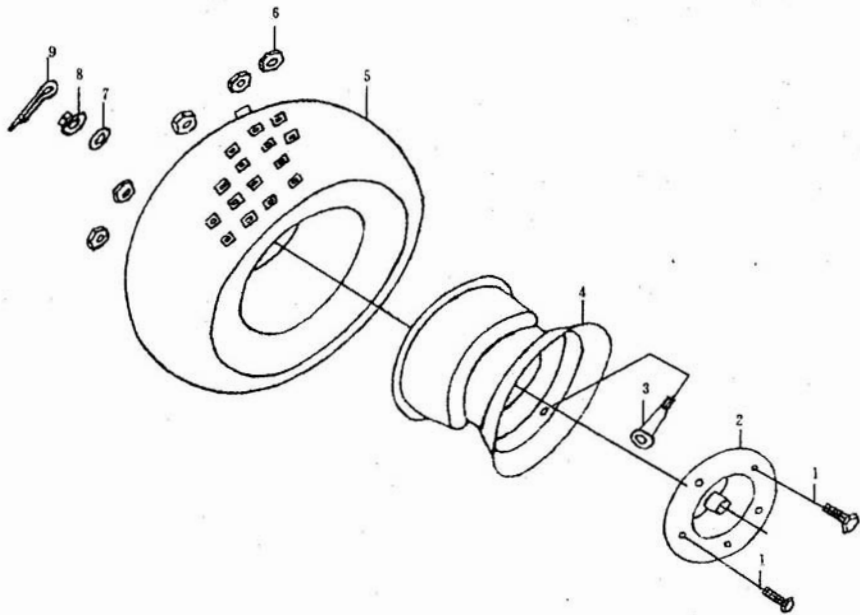
Model Texas King 100 ATV

Front wheel assy

Pos	Vare nr. / Part no.	Qty	Beskrivelse	Description
1	292883	7	Bolt M10x30	Bolt M10x30
2	292884	7	Møtrik M10	Nut M10
3	292885	1	Spindel, højre	Front axle shaft RH
	292886	1	Spindel, venstre	Front axle shaft, LH
4	292887	1	Ankerplade højre	Brake panel, front RH
	292888	1	Ankerplade venstre	Brake panel, front LH
5	292889	1	Vippeaksler, forbremser	Cam, brake
6	292890	1	Arm forbremse Højre	Lever front brake Right
	292955	1	Arm forbremse Venstre	Lever front brake Left
7	292891	1	Bolt M6x35	Bolt M6x35
8	292892	1	Møtrik M6	Nut M6
9	292893	2	Bremsebakke sæt	Shoe, front assembly
10	292894	2	Fjeder	Spring
11	292895	1	Forhjulsløje 104	Bearing 104
12	292896	1	Hjulnav	Wheelhub
13	292897	1	Forhjulsløje 202	Bearing 202
14	292898	1	Ventil	Air valve
15	292899	1	Fælg, forhjul	Rim front wheel
16	292900	1	Dæk, forhjul	Tyre, front wheel
17	292901	1	Skive 14	Washer 14
18	292902	1	Møtrik M14	Nut M14
19	292903	1	Split	Pin, cotter
20	292961	2	Dæksel for hjulnav	Cover for wheel hub

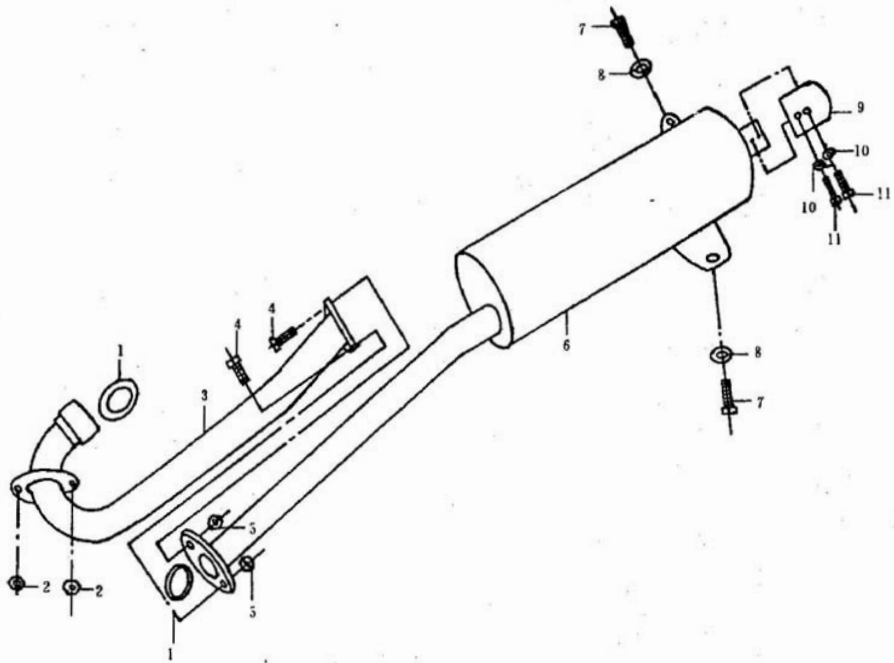


10



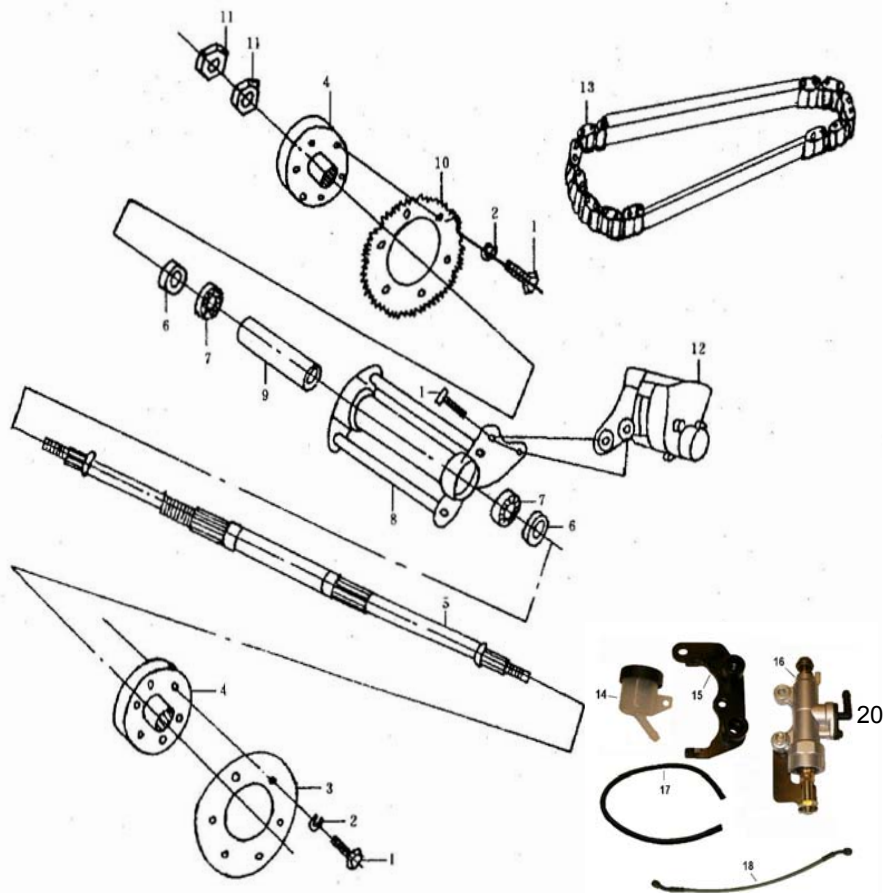
Model Texas King 100 ATV**Rear wheel assy**

Pos	Vare nr. / Part no.	Qty	Beskrivelse	Description
1	292904	8	Bolt M10x20	Bolt M10x20
2	292905	2	Nav, baghjul	Wheel hub rear
3	292906	2	Ventil	Air valve
4	292907	2	Fælg, baghjul	Rim, rear wheel
5	292908	2	Bagdæk	Tyre rear wheel
6	292909	8	Møtrik 10	Nut M10
7	292910	2	Skive 14	Washer 14
8	292911	2	Møtrik 14	Nut M14
9	292912	2	Split	Pin, cotter
10	292961	2	Dæksel for hjulnav	Cover for wheel hub



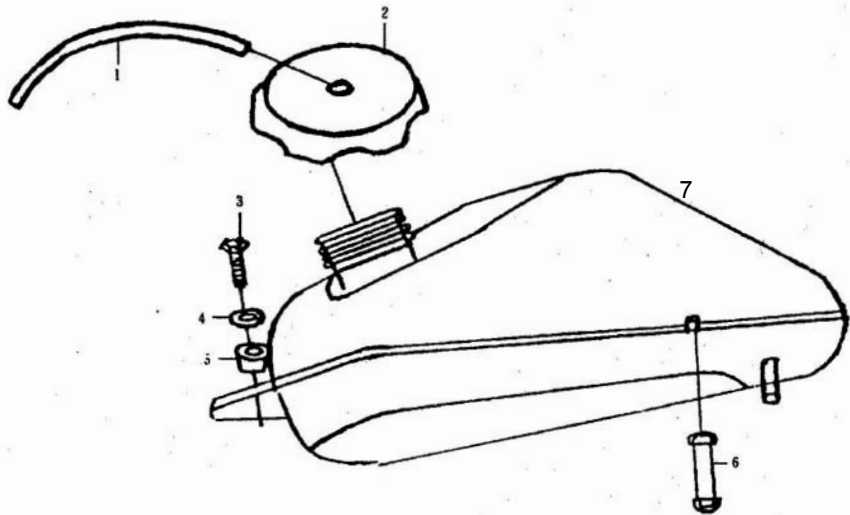
Model Texas King 100 ATV**Exhaust**

Pos	Vare nr. / Part no.	Qty	Beskrivelse	Description
1	292913	2	Pakning, udstødning	Gasket
2	292914	2	Møtrik M6	Nut M6
3	292915	1	Forrør	Exhaust pipe, front
4	292916	2	Bolt M6x25	Bolt M6x25
5	Brug / use 292911	2	Møtrik M6	Nut M6
6	292917	1	Lyddæmper	Silencer
7	292918	1	Bolt M8x15	Bolt M8x15
8	292919	1	Skive 8	Washer 8
9	292920	1	Gnistfanger	Spark arrestor
10	292921	2	Skive 6	Washer 6
11	292922	2	Bolt m6x20	Bolt M6x20



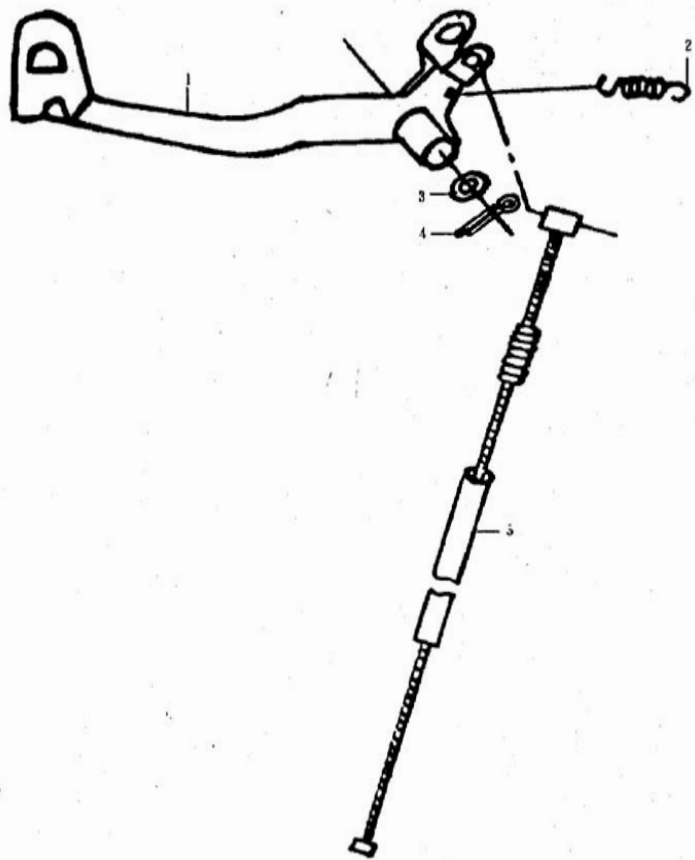
19

Model Texas King 100 ATV		Rear axle assy		
Pos	Vare nr. / Part no.	Qty	Beskrivelse	Description
1	292923	14	Bolt M8x25	Bolt M8x25
2	292924	14	Skive 8	Washer 8
3	292925	1	Bremseskive	Disc brake
4	292926	2	Mellemstykke	Connector
5	292927	1	Bagaksel	Rear wheel shaft
6	292928	2	Pakdåse	Seal
7	292929	2	Leje 107	Bearing 107
8	292930	1	Afstandsstykke	Rear shaft spacer
9	292931	1	Bagakselhus	Supporting pipe
10	292932	1	Tandhjul, bagaksel	Sprocket rear
11	292933	2	Møtrik M30	Nut M30
12	292934	1	Bremserkaliper	Caliper, brake
13	292935	1	Kæde	Chain
14	292490	1	Beholder	Container
15	292491	1	Beslag	Bracket
16	292492	1	Bremsecylinder	Brakecylinder
17	292493	1	Slange	Hose
18	292494	1	Bremseslange	Brakehose
19	292462	1	Bremseklods sæt	Brake Pad Set
20	600008	1	Studs for bremsecylinder	Inlet for brakecylinder



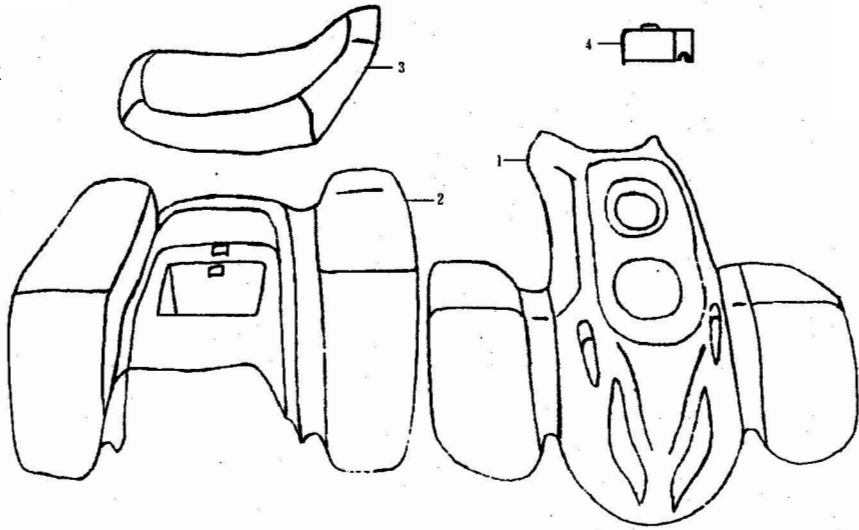
Model Texas King 100 ATV **Fuel tank**

Pos	Vare nr. / Part no.	Qty	Beskrivelse	Description
1	292936	1	Tankudluftning	Tube, breather
2	292937	1	Tankdæksel	Cap, fuel tank
3	292938	4	Bolt M6x30	Bolt M6x30
4	292939	4	Skive 6	Washer 6
5	292940	2	Gummimellemlæg	Rubber washer
6	292941		Gummistrop	Rubber band
7	292956	1	Brændstoftank	Fuel tank



Model Texas King 100 ATV		Rear brake system		
Pos	Vare nr. / Part no.	Qty	Beskrivelse	Description
1	292942	1	Bremsepedal, bagbremse	Pedal, rear brake
2	292943	1	Fjeder	Spring pedal return
3	292944	1	Skive	Washer
4	292945	1	Split	Pin cotter
5	292946	1	Bremsekabel, bagbremse	Pedal brake cable

5 / 6 : bagagebærer / rack



Model Texas King 100 ATV **Cover and seat**

Pos	Vare nr. / Part no.	Qty	Beskrivelse	Description
1	292947	1	Front skærm	Front cover
2	292948	1	Bagaskærm	Rear cover
3	292949	1	Sæde	Seat
4	292950	1	Dæksel, tændingslås	Ignition switch cover
5	292957	1	Bagagebærer for	Front rack
6	292958	1	Bagagebærer bag	Rear rack