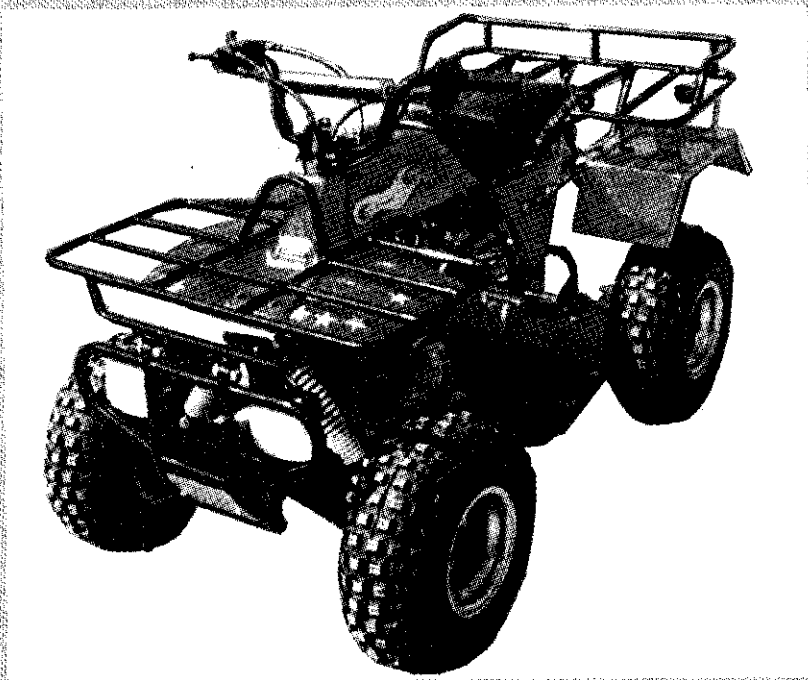
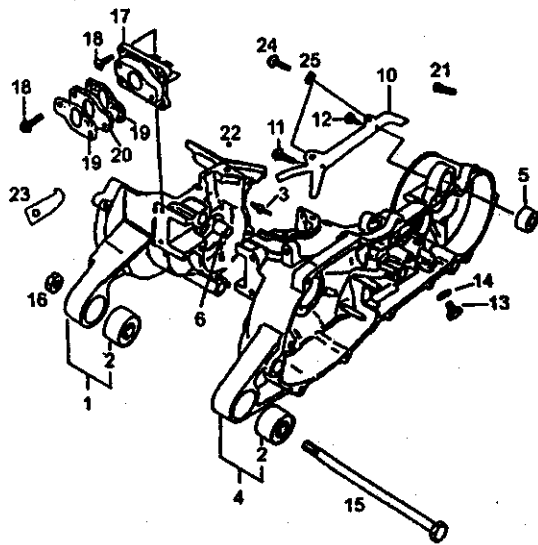
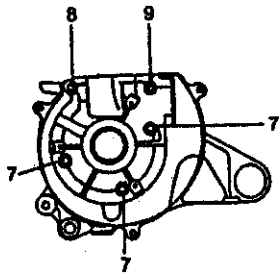


# HY4-50D PARTS CATALOGUE

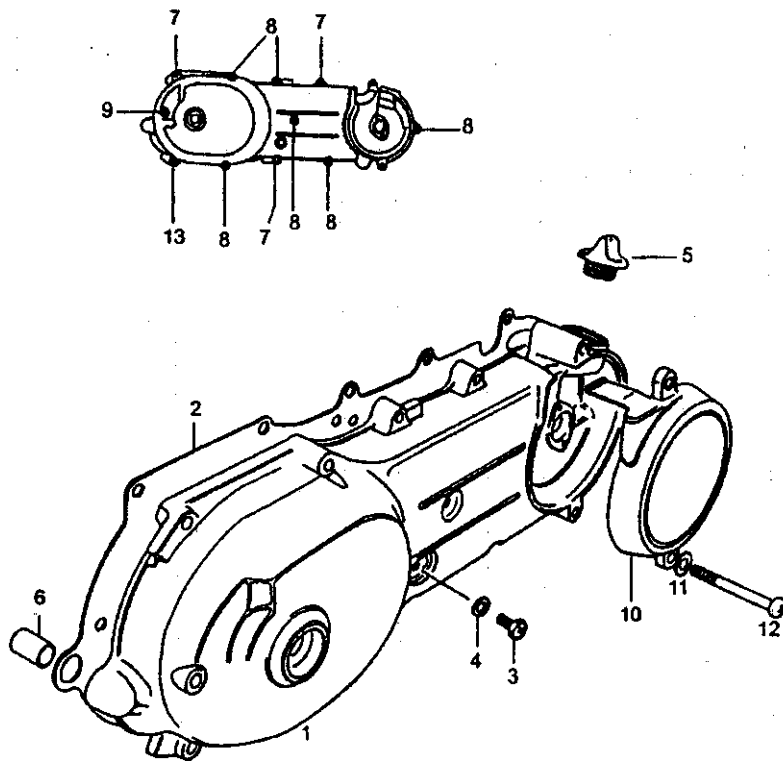






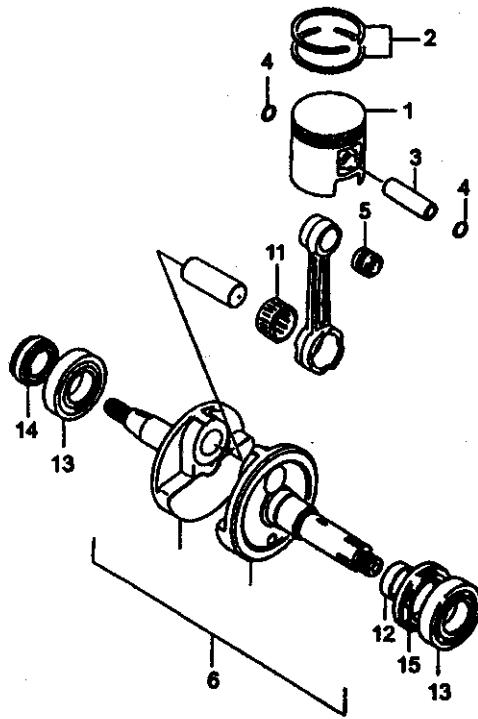
D-2

No.	Part No.	Description	Q'ty	Remarks	No.	Part No.	Description	Q'ty	Remarks
1	050201	Crankcase, right			12	050212	Screw M5 x 12		
2	050202	Bushing, engine mount			13	050213	Plug, drain		
3	050203	One - Way Valve			14	050214	Gasket, drain plug		
4	050204	Crankcase, left			15	050215	Bolt M10 x 1.25		
5	050205	Bushing			16	050216	Nut M10 x 1.25		
6	050206	Pin, location			17	050217	Reed Valve Assembly		
7	050207	Screw, M6 x 40			18	050218	Screw M6 x 20		
8	050208	Screw, M6 x 50			19	050219	Gasket, spacer plate		
9	050209	Screw, M6 x 65			20	050220	Spacer Plate		
10	050210	Clamp, oil hose			21	050221	Pin		
11	050211	Hollow Bolt			22	050222	Ball 5		



D-3

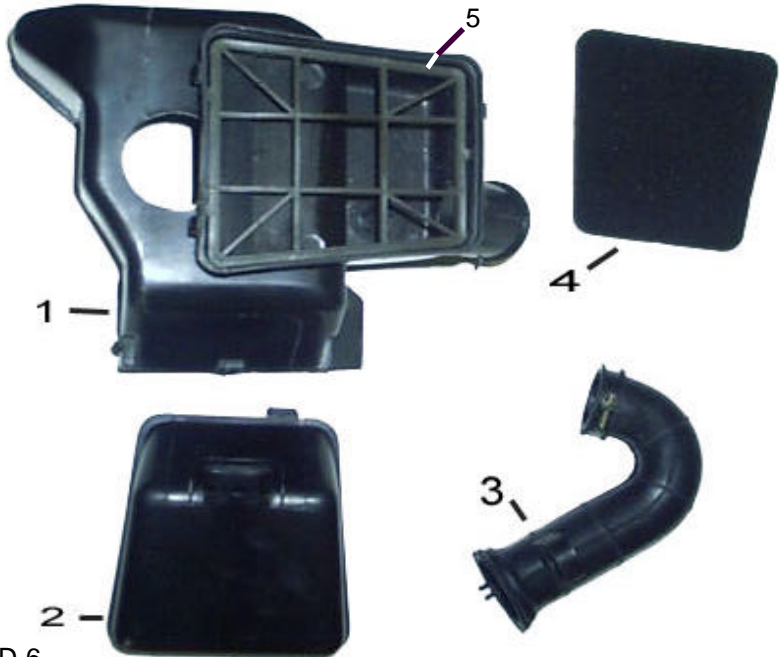
No.	Part No.	Description	Q'ty	Remarks	No.	Part No.	Description	Q'ty	Remarks
1	050301	Crankcase Cover			12	050312	Screw M6 x 50		
2	050302	Gasket, transmission cover			13	050313	Fixed Screw, starter motor (6 x 85)		
3	050303	Oil Check Screw M6 x 10							
4	050304	Gasket							
5	050305	Plug							
6	050306	Pin, location							
7	050307	Screw M6 x 25							
8	050308	Screw M6 x 35							
9	050309	Fixed Screw, starter motor (6 x 105)							
10	050310	Oil Pump Cover							
11	050311	Washer 6							



D-4

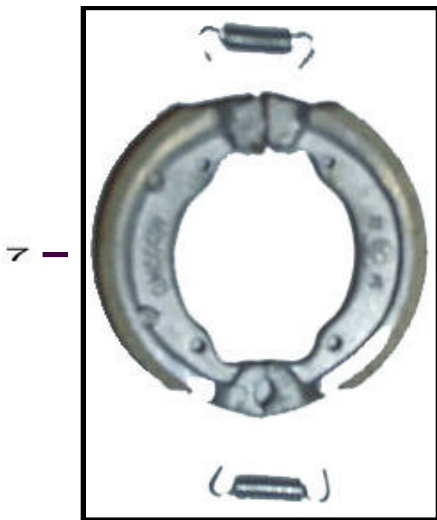
No.	Part No.	Description	Q' ty	Remarks	No.	Part No.	Description	Q' ty	Remarks
1	050401	Piston			12	050412	Spacer		
2	050402	Ring Set			13	050413	Bearing D104		
3	050403	Pin, piston			14	050414	Oil Seal, right		
4	050404	Circlip			15	050415	Oil Seal, left		
5	050405	Bearing 10, connecting rod							
6	050406	Crankshaft Assembly							
		• Rod, connecting							
		• Pin, crank							
		• Crankshaft, right							
		• Crankshaft, left							
11	050411	Bearing 16							





D-6

No.	Part No.	Description	Q'ty	Remarks
1	050601	Cleaner Assembly (Includes Fig.1,2,4 & 5)		
2	050602	Cap		
3	050603	Tube, inlet		
4	050604	Filter, air cleaner		
5	050605	Net, air cleaner		



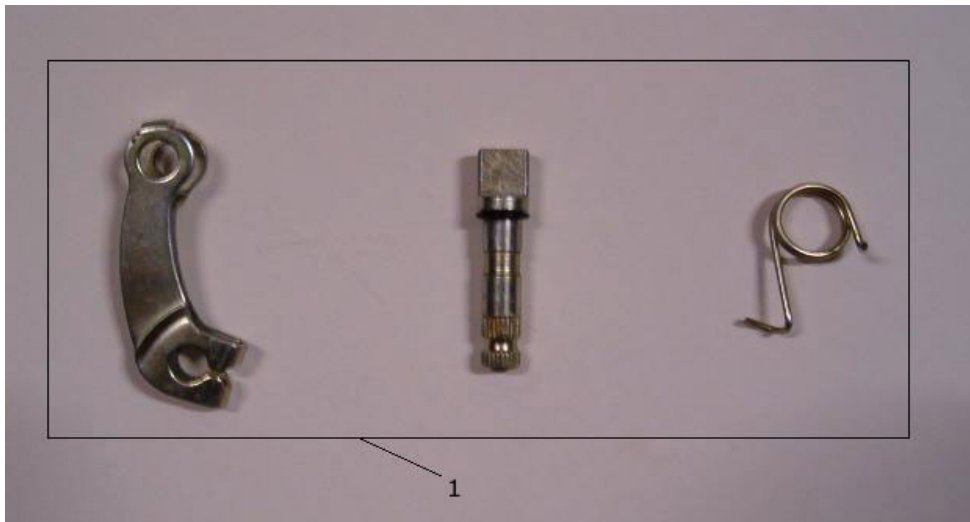
D-7

No.	Part No.	Description	Q'ty	Remarks
1	050701	Gasket, exhaust pipe		
3	050703	Screw M6 x 18		
7	050707	Brake Shoes kpl.		





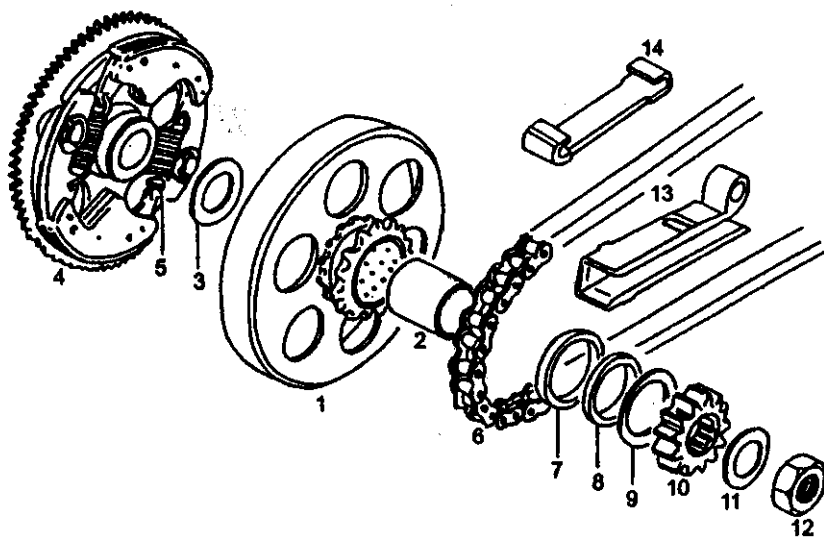
No.	Part No.	Description	Q'ty	Remarks
1	050708	Brake Arm Assy (front)	2	



No.	Part No.	Description	Q'ty	Remarks
1	050709	Brake Arm Assy (back)	1	

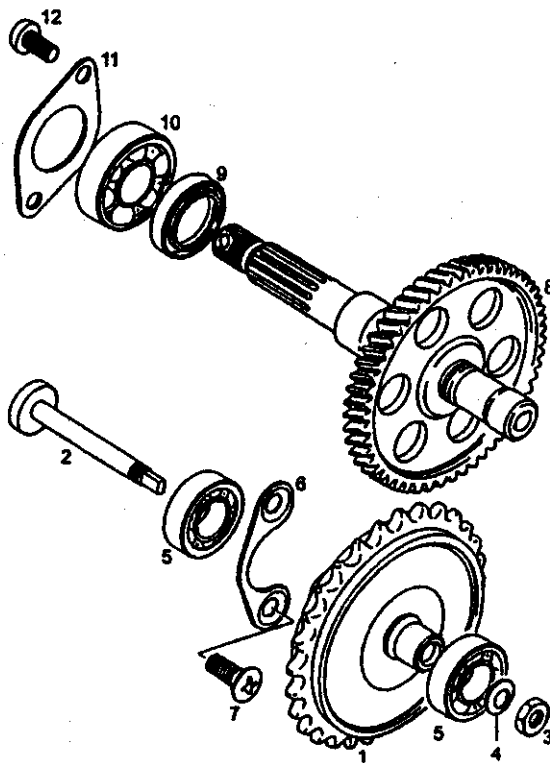






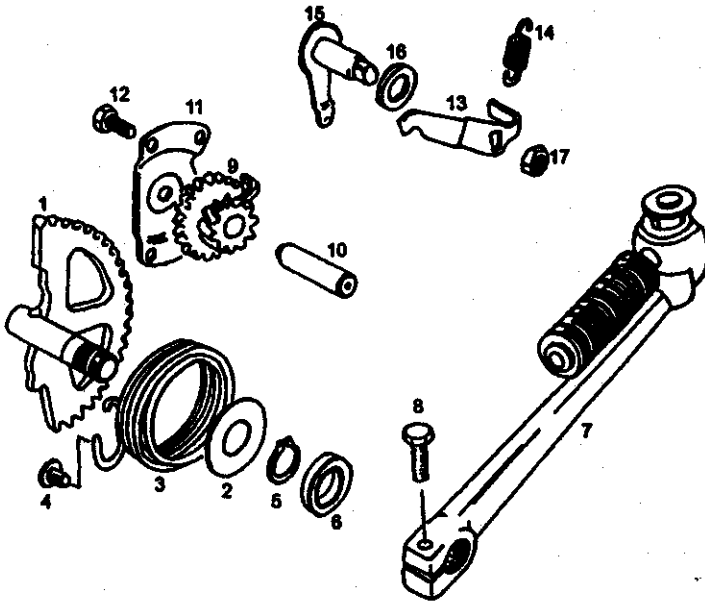
D-10

No.	Part No.	Description	Q' ty	Remarks	No.	Part No.	Description	Q' ty	Remarks
1	051001	Hub			12	051012	Nut M12 × 1.25		
2	051002	Spacer			13	051013	Guide, lower drive chain		
3	051003	Clutch Shim			14	051014	Guide, upper drive chain		
4	051004	Starter Gear Assembly & Clutch							
5	051005	Key 3 × 13							
6	051006	Chain T0858.5 × 5							
7	051007	Washer, shock absorbing							
8	051008	Spacer							
9	051009	Shim							
10	051010	Gear, starter							
11	051011	Washer							



D-11

No.	Part No.	Description	Q' ty	Remarks	No.	Part No.	Description	Q' ty	Remarks
1	051101	Sprocket Assembly, rear			12	051112	Bolt M6 x 10		
2	051102	Pull Rod, rear sprocket							
3	051103	Nut M6							
4	051104	Washer 6							
5	051105	Bearing 6001							
6	051106	Retainer, drive shaft bearing							
7	051107	Screw M6 x 10							
8	051108	Rear Axle and Gear							
9	051109	Oil Seal SD 25 x 40 x 10							
10	051110	Bearing P/60204							
11	051111	Retainer, drive shaft bearing							



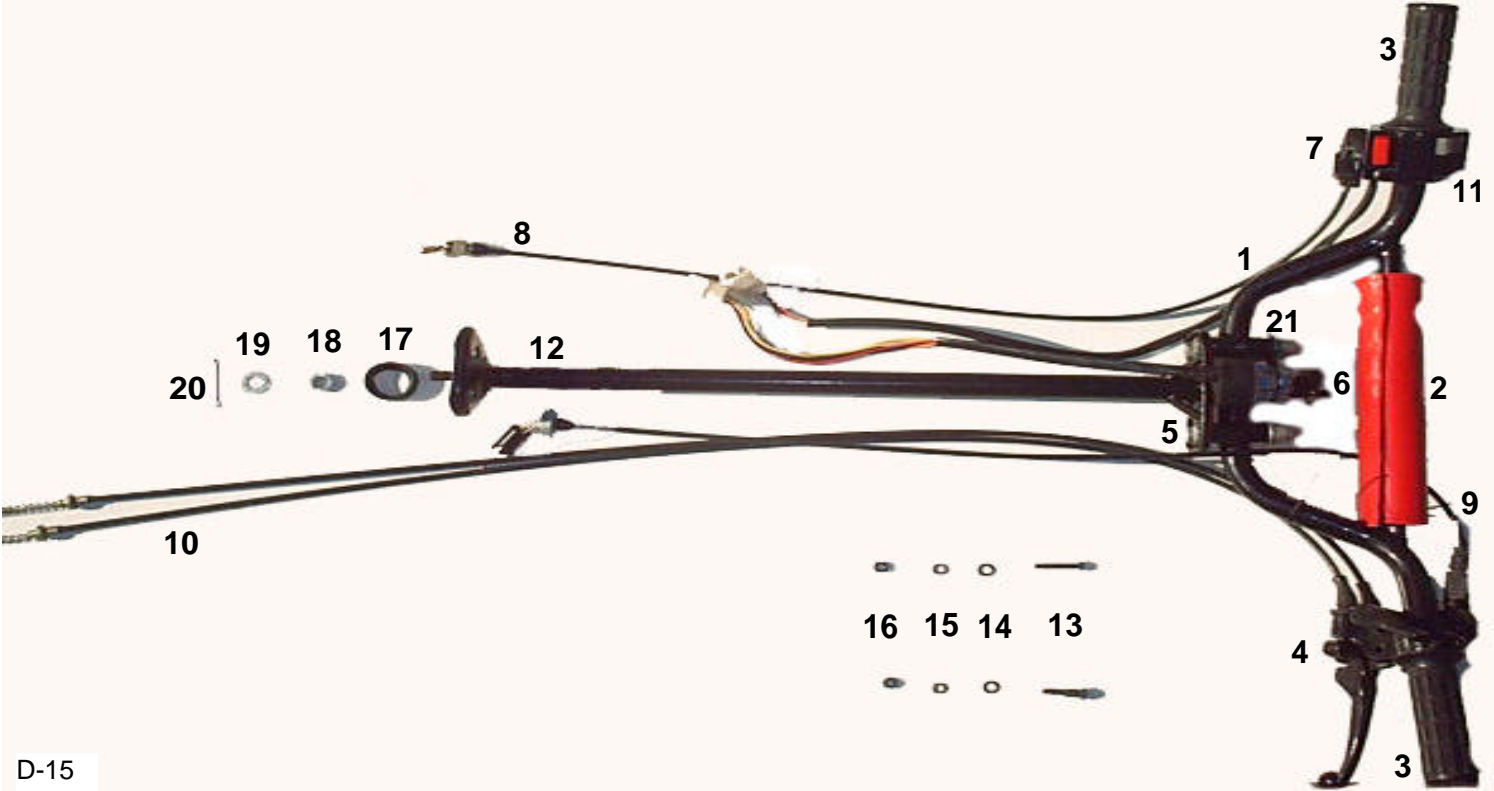
D-12

No.	Part No.	Description	Q' ty	Remarks	No.	Part No.	Description	Q' ty	Remarks
1	051201	Shaft Assembly, kick starter			12	051212	Bolt M6 × 16		
2	051202	Washer			13	051213	Pawl, kick starter		
3	051203	Spring			14	0511214	Pull Spring A1 × 7 × 24		
4	051204	Screw M6 × 12			15	051215	Brake Rod		
5	051205	Circlip			16	051216	Oil Seal SD 12 × 14 × 7		
6	051206	Oil Seal			17	051217	Nut M10 × 1		
7	051207	Lever Assembly, kick starter							
8	051208	Bolt M6 × 25							
9	051209	Gear Assembly, kick starter drive							
10	051210	Shaft, kick starter idle							
11	051211	Cover, stopper							



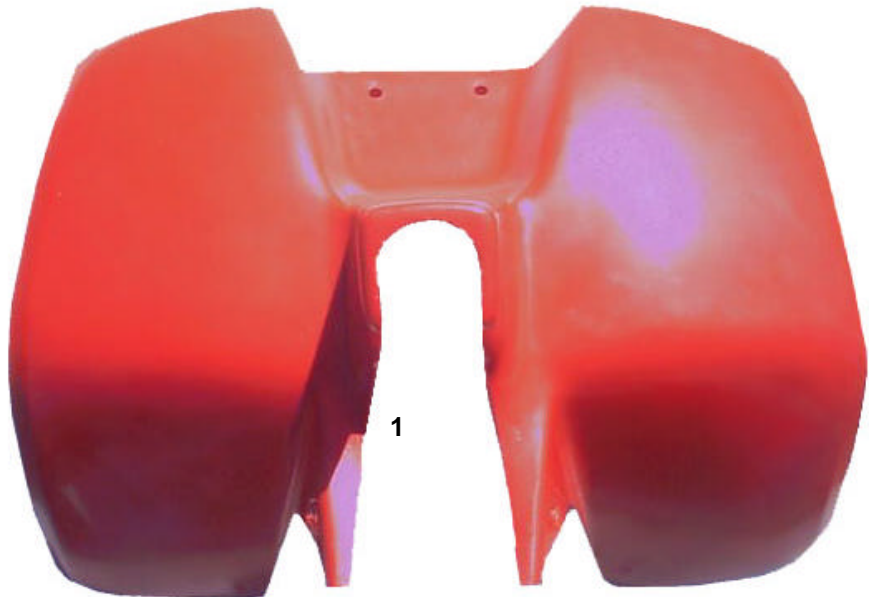






D-15

No.	Part No.	Description	Q'ty	Remarks	No.	Part No.	Description	Q'ty	Remarks
1	051501	Handle Bar			12	051512	Steering Stem		
2	051502	Pad			13	051513	Bolt		
3	051503	Grip (L,R)			14	051514	Lockwasher		
4	051504	Front Brake / Throttle Controls			15	051515	Washer		
5	051505	Handle Bar Clamp			16	051516	Nut		
6	051506	Ignition Assembly			17	051517	Bushing		
7	051507	Choke Lever			18	051518	Nut		
8	051508	Choke Cable			19	051519	Washer		
9	051509	Throttle Cable			20	051520	Cotter Pin		
10	051510	Front Brake Cable (L,R)			21	051521	Bracket Ignition		
11	051511	Starter/Kill Switch							



D-16

No.	Part No.	Description	Q'ty	Remarks
1	051601	Front Body Plastic		



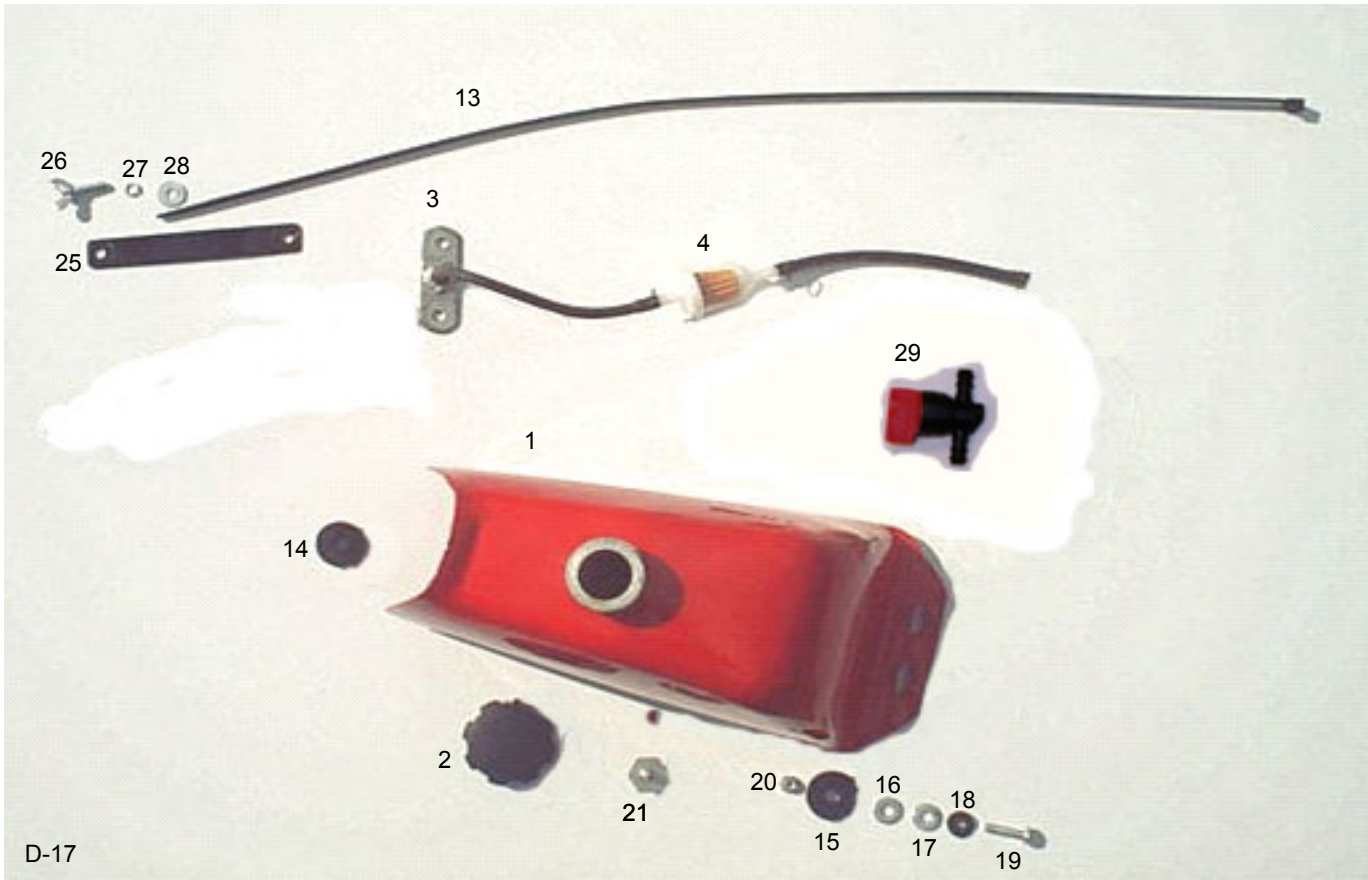
**C90-10000B**



**C90-20000B**

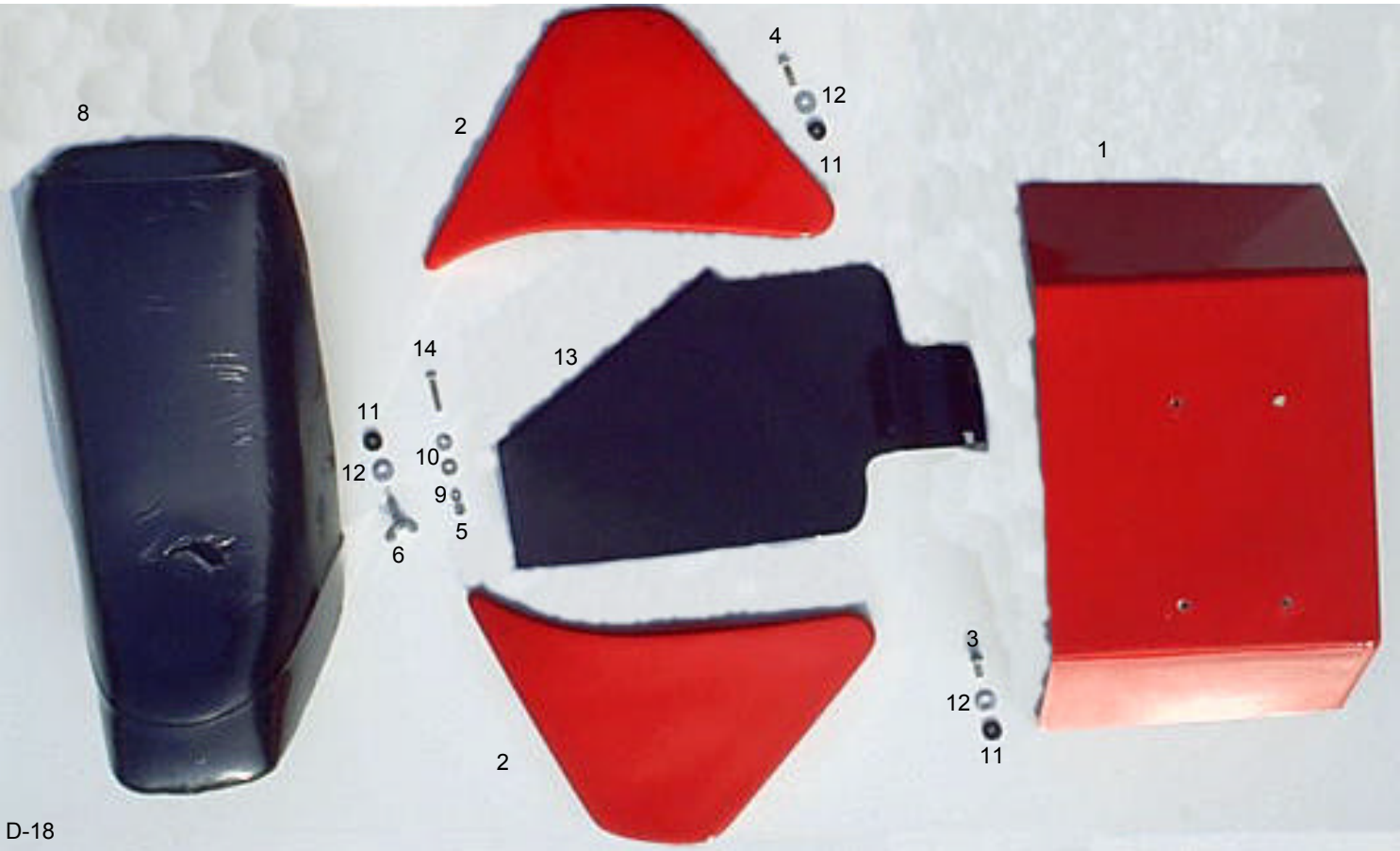


**051701-1B**



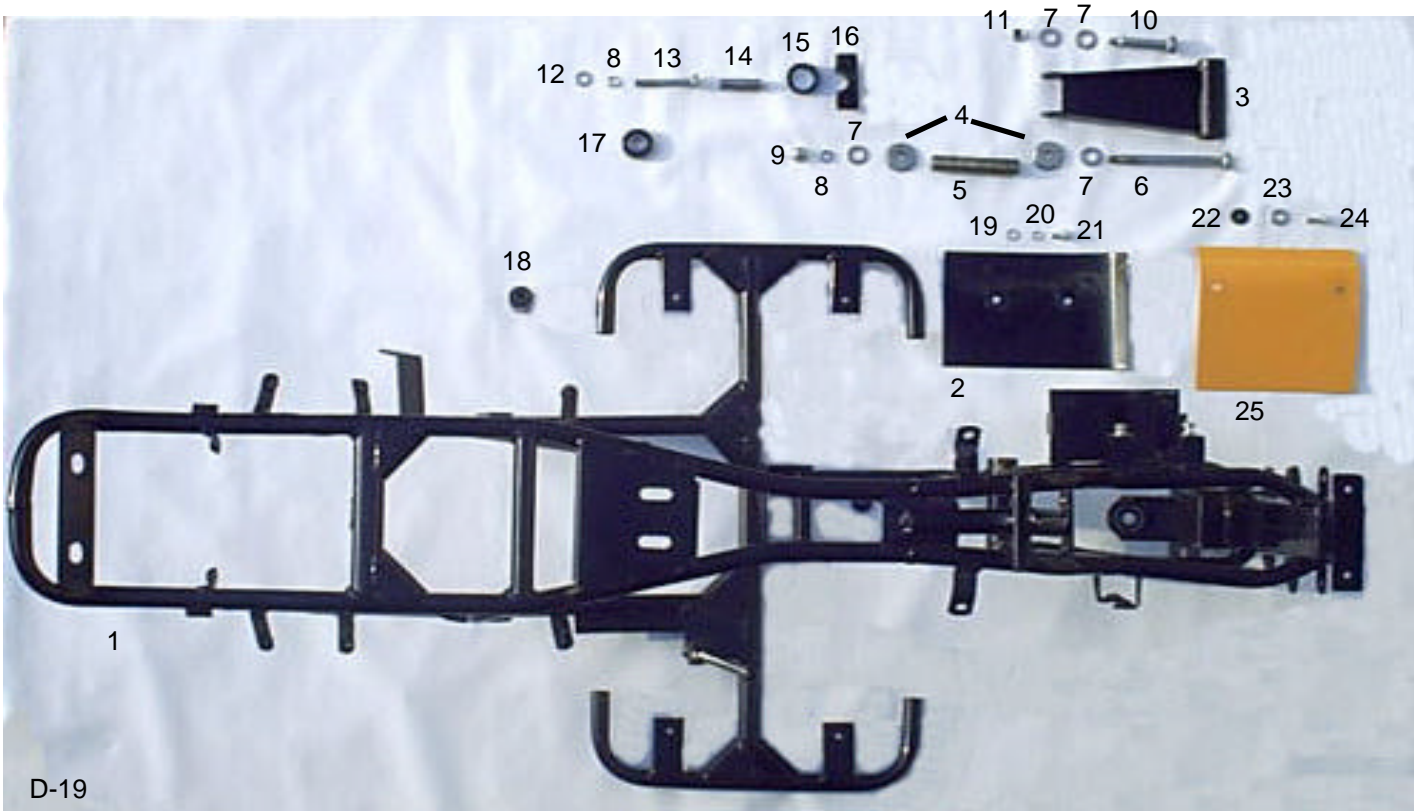
D-17

No.	Part No.	Description	Q'ty	Remarks	No.	Part No.	Description	Q'ty	Remarks
1	051701	Fuel Tank			18	051718	Rubber Washer	2	
2	051702	Fuel Cap			19	051719	Bolt	2	
3	051703	Fuel Valve Back Plate			20	051720	Nut	2	
4	051704	Fuel Filter			21	051721	Fuel Tank Nipple		
13	051713	Strap			25	051726	Battery Bracket		
14	051714	Rubber Pad (Front)	2		26	051727	Wing Nut	2	
15	051715	Rubber Pad (Rear)	2		27	051728	Lockwasher	2	
16	051716	Washer	2		28	051729	Washer	2	
17	051717	Washer	2		29	051730	Fuel Valve	1	



D-18

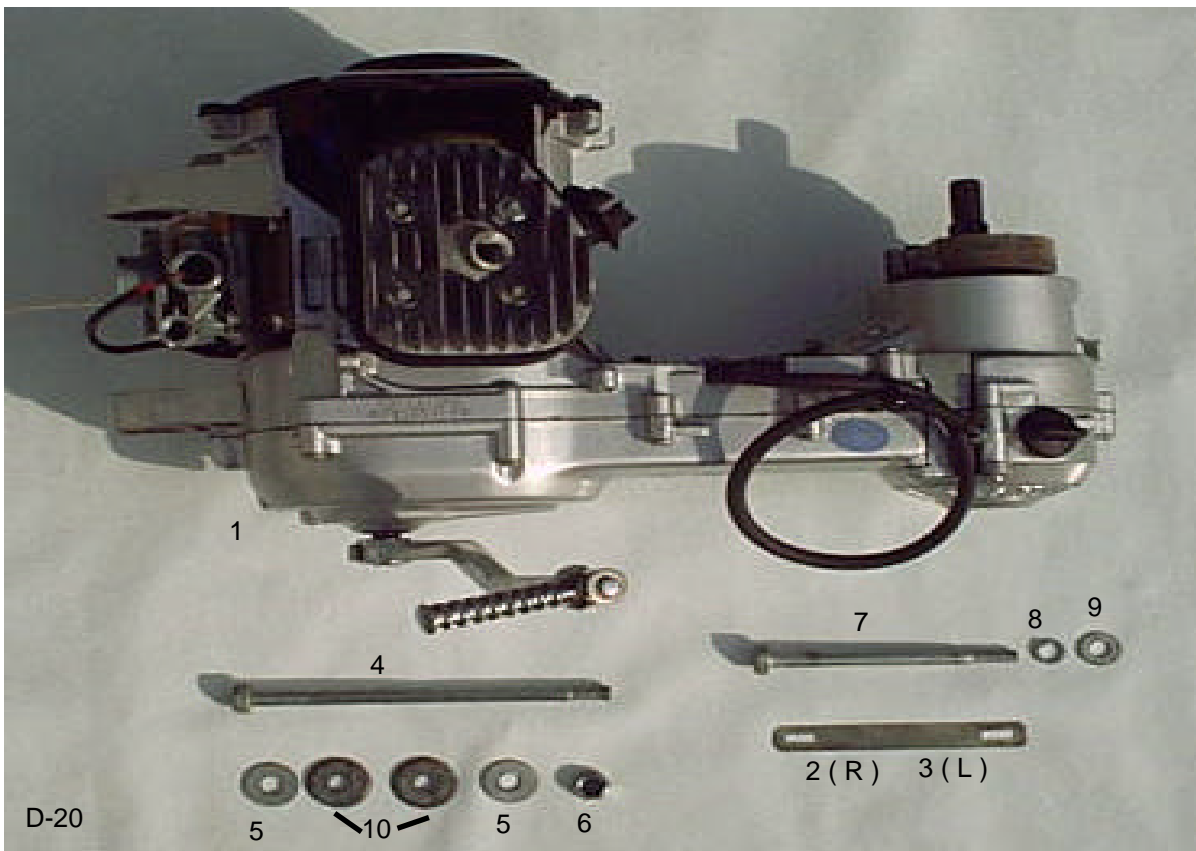
No.	Part No.	Description	Q'ty	Remarks	No.	Part No.	Description	Q'ty	Remarks
1	051801	Rear Plastic	1		8	051705	Seat		
1	051801L	Rear Plastic	1		9	051809	Lock Washer		
2	051802R	Right Plastic	1		10	051810	Washer	2	
2	051802L	Left Plastic	1		11	051718	Rubber Washer		
3	051803	Bolt	8		12	051717	Washer		
4	051804	Bolt	5		13	051813	Cover		
5	051805	Lock Nut			14	051814	Bolt		
6	051806	Wing Nut	2						



D-19

No.	Part No.	Description	Q'ty	Remarks	No.	Part No.	Description	Q'ty	Remarks
1	061901	Frame			13	061913	Bolt	2	
2	061902	Skid Plate			14	061914	Bushing	2	
3	061903	A - Arm (L,R)	4		15	061915	Bushing	2	
4	061904	Cap	8		16	061916	Bracket	2	
5	061905	Bushing	4		17	061917	Bearing		6000 RS
6	061906	Bolt	4		18	061918	Bushing	2	
7	061907	Washer	8		19	061919	Washer	2	
8	061908	Lockwasher	8		20	061920	Lockwasher	2	
9	061909	Nut	8		21	061921	Bolt	2	
10	061910	Bolt	4		22	051718	Rubberwasher	2	
11	061911	Locknut	4		23	051717	Washer	2	
12	061912	Washer	2		24	061924	Bolt	2	
					25	061925	Plate		





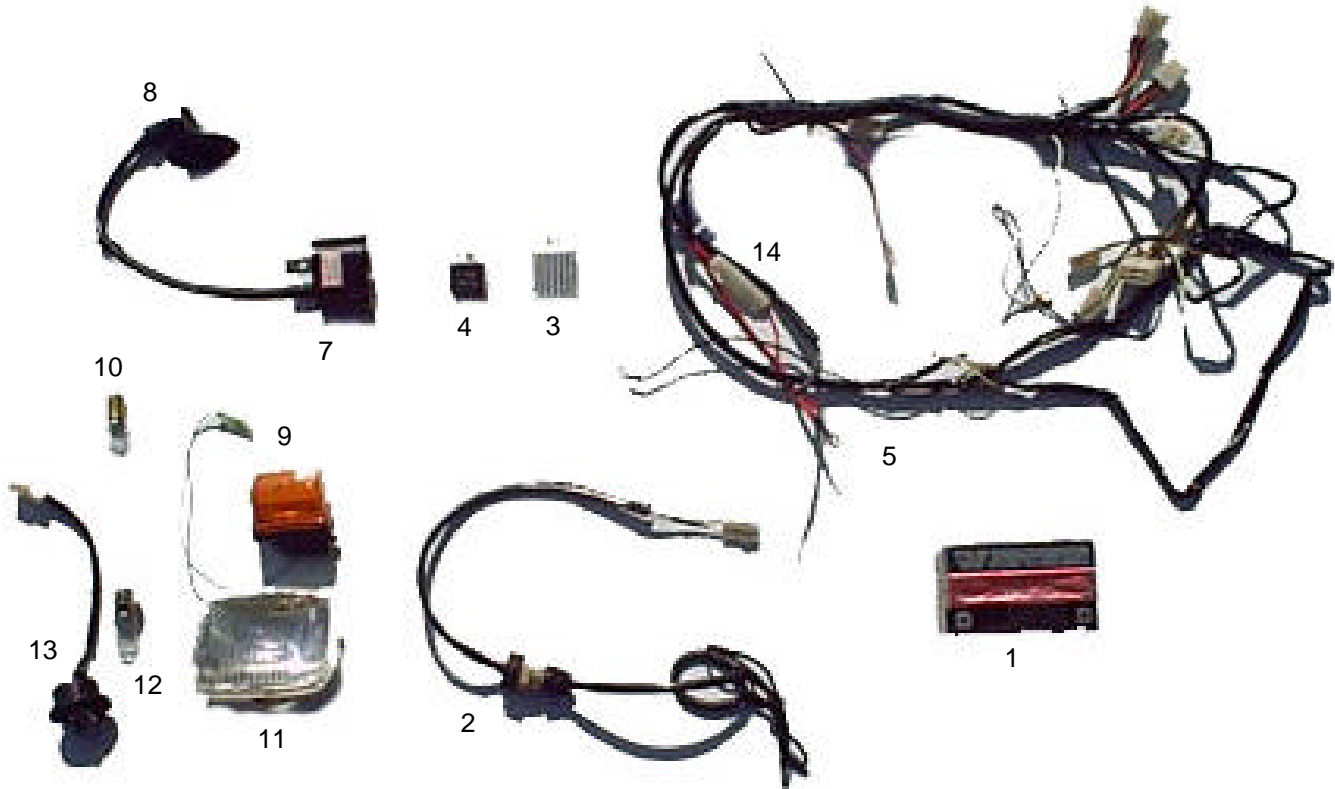
D-20

No.	Part No.	Description	Q'ty	Remarks	No.	Part No.	Description	Q'ty	Remarks
1	062001	Engine			6	062006	Lock Nut		
2	062002	Right Bracket			7	062007	Bolt		
3	062003	Left Bracket			8	062008	Lockwasher		
4	062004	Bolt			9	062009	Washer		
5	062005	Washer	2		10	062010	Cap	2	



D-21

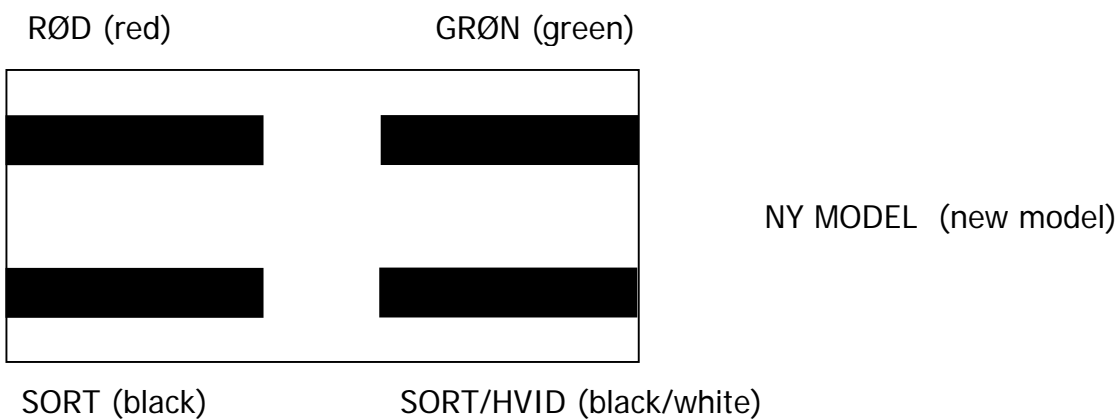
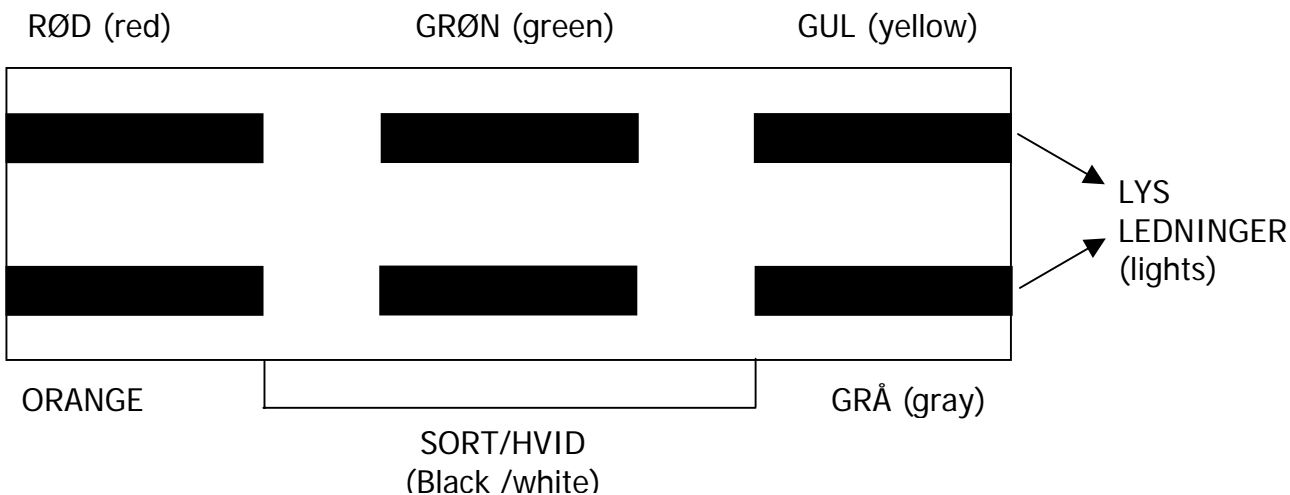
No.	Part No.	Description	Q'ty	Remarks	No.	Part No.	Description	Q'ty	Remarks
1	062101	Shock Bracket			13	062113	Axel		
2	062102	Front Shock			14	062114	Washer		
3	062103	Washer			15	062115	Washer		
5	062105	Locknut			16	062116	Nut		
6	062106	Bolt			17	062117	Tie Rod		
7	062107	Front Hub (L,R)			21	062121	Locknut		
8	062108	Tire		16-800-7	22	052412	Inner Tube		16-800-7
9	062109	Rim			23	062123	Hub Cap		
10	062110	Panel ( R )			24	062124	Spacer		
11	062111	Spacer			25	062113R	Axel		
12	062112	Panel (L)							



D-22

No.	Part No.	Description	Q'ty	Remarks	No.	Part No.	Description	Q'ty	Remarks
1	052201	Battery			8	052208	Spark Plug Cap and Seal		
2	052202	Tether Switch			9	052209	Rear Light		
3	052203	Rectifier			10	052210	Bulb		12V 8W
4	052204	Starter Relay			11	052211	Headlight		
5	052205	Wiring Harness			12	052212	Bulb		12V 15W
					13	052213	Wiring Harness Headlight		
7	052207	Ignition Coil			14	052214	Fuse		5A

## Udskiftning af tændingskontakter



Start med at samle grå og gul ledning på maskinen.  
De er til lyset, som vil være tændt konstant når motoren er startet.

Monter kabelsko på ledningerne.  
Monter så ledningerne i stikholderen.  
Ledningsfarverne skal monteres som følger :

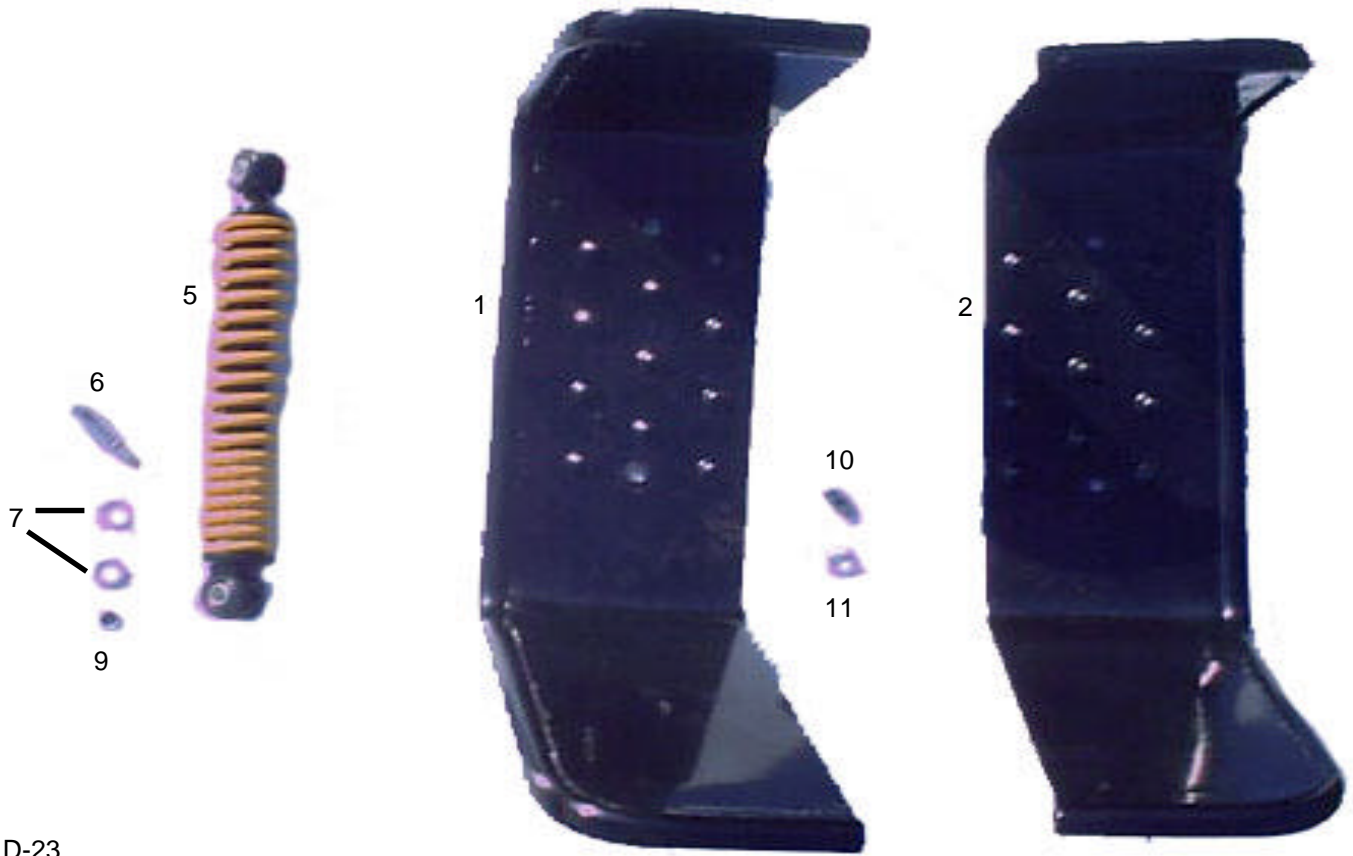
RØD til RØD LEDNING  
SORT til ORANGE LEDNING  
GRØN til GRØN LEDNING  
SORT/HVID til SORT/HVID

---

Start by connecting gray and yellow wire on the machine.  
They are for the lights, which will be turned on constant when the engine is started.

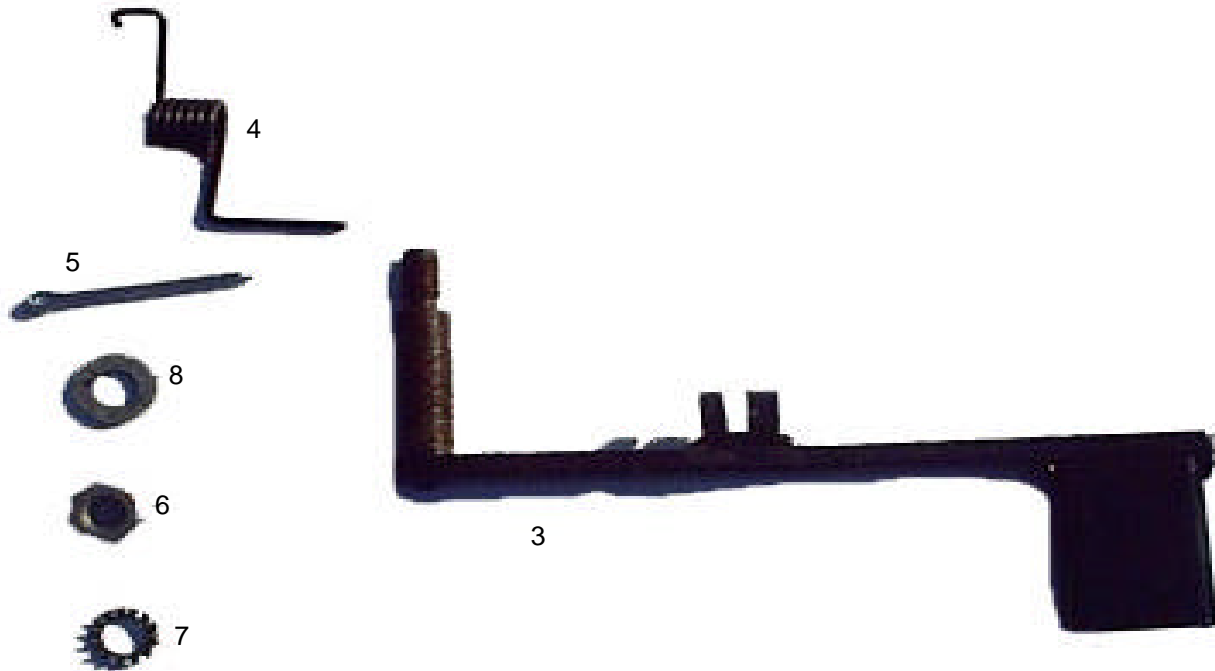
Mount cabelshoes on the wires.  
Mount the wires in the holder.  
The colours must be mounted as this :

RED to RED WIRE  
BLACK to ORANGE WIRE  
GREEN to GREEN WIRE  
BLACK/WHITE to BLACK/WHITE



D-23

No.	Part No.	Description	Q'ty	Remarks	No.	Part No.	Description	Q'ty	Remarks
1	052301	Right Footboard							
2	052302	Left Footboard			9	052309	Locknut	2	
5	052305	Rear Shock			10	052310	Screws	4	
6	052306	Bolt	2		11	052311	Washer	4	
7	052307	Washer	2						



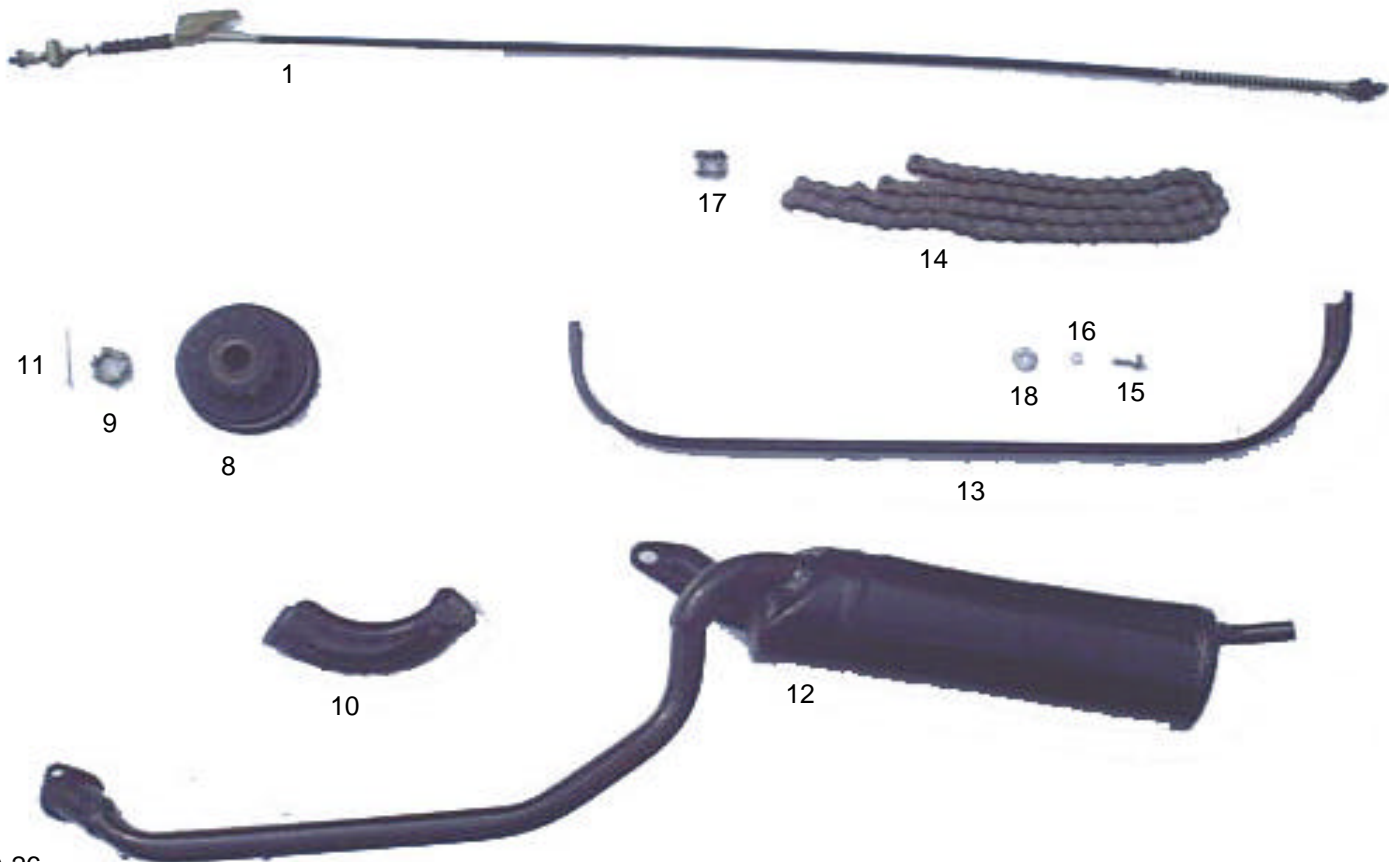
D-24

No.	Part No.	Description	Q'ty	Remarks	No.	Part No.	Description	Q'ty	Remarks
3	052603	Foot Brake Pedal			6	052606	Nut		
4	052604	Spring			7	052607	Lockwasher		
5	052605	Cotterpin			8	052608	Washer		



D-25

No.	Part No.	Description	Q'ty	Remarks	No.	Part No.	Description	Q'ty	Remarks
1	062501	Washer			16	062516	Washer		
2	062502	Spacer			17	062517	Adjustment Sleeve		
3	062503	Spacer			18	062518	Sprocket Mount		
4	062504	Spacer			19	062519	Spacer		
5	062505	Hub			20	062520	Bracket		
6	052408	Rim			21	062521	Bolt		
7	052407	Tire		16-800-7	22	062522	Cotter Pin		
8	062508	Rear Axle			23	062523	Axle Nut		
9	062509	Clip Axle			24	062524	Lockwasher		
10	062510	Bearing Mount			25	062525	Bearing		6205 RS
11	062511	Swingarm			26	062526	Sprocket		
12	062512	Bolt			27	052412	Inner Tube		16-800-7
13	062513	Nut			28	062528	Bolt		
14	062514	Bolt			29	062529	Washer	2	
15	062515	Lockwasher			30	062530	Locknut		
					31	062123	Hub Cap		



D-26

No.	Part No.	Description	Q'ty	Remarks	No.	Part No.	Description	Q'ty	Remarks
1	062601	Rear Brake Cable			13	062613	Chain Guard		
8	062608	Sprocket/Hub			14	062614	Chain		
9	062609	Nut			15	062615	Bolt		
10	062610	Exhaust Mount			16	062516	Lockwasher		
11	062522	Cotterpin			17	062517	Masterlink		
12	062612	Silencer			18	062518	Washer		



