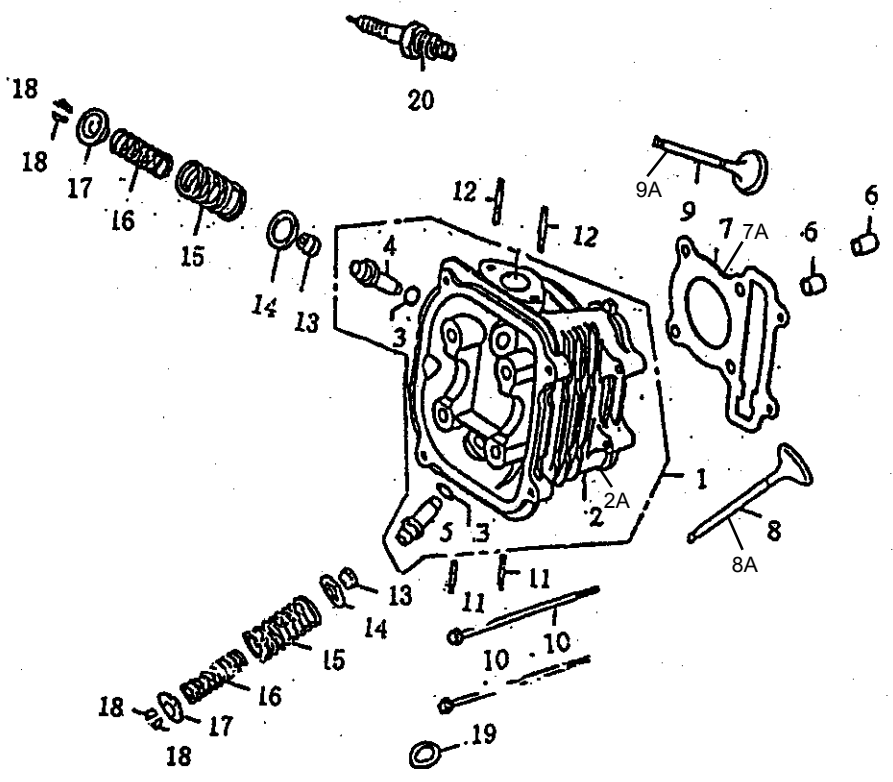


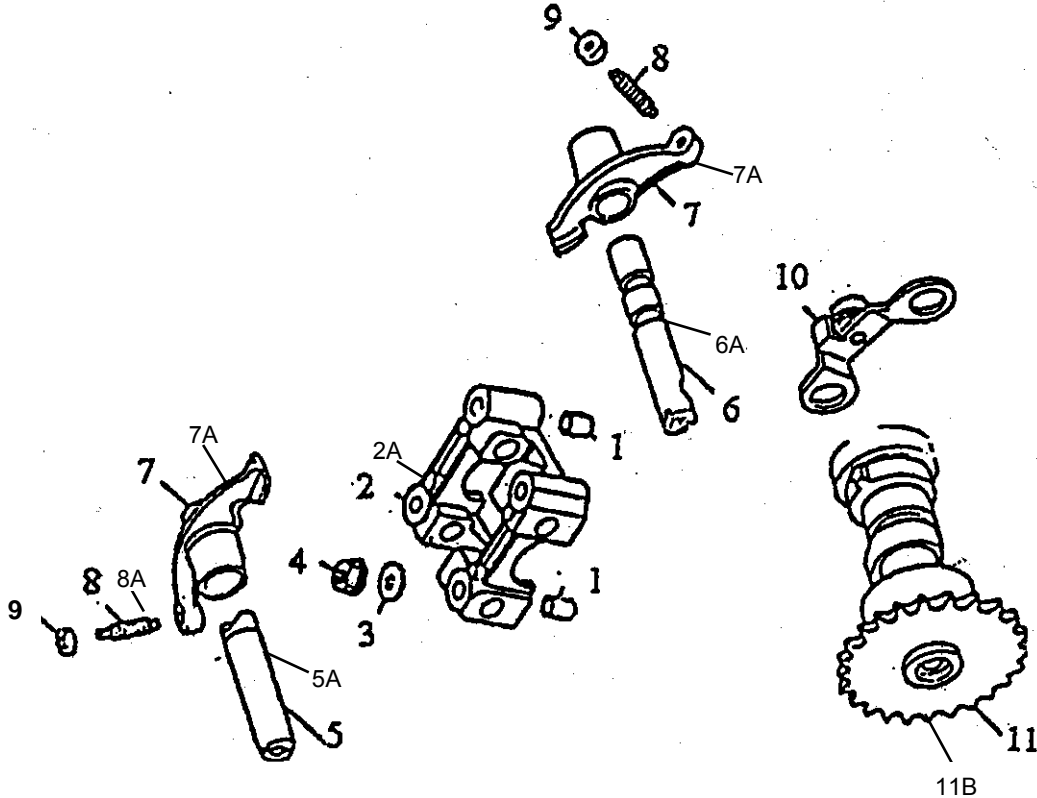
D - 1 HEAD CYLINDER COVER COMP.

No.	Part No.	Description	Q'ty	Remarks	No.	Part No.	Description	Q'ty	Remarks
	F521 - 010000	HEAD CYLINDER SYSTEM	1			F521-125CC	ENGINE 125cc	1	125cc
1	F521 - 011000	HEAD CYLINDER COVER COMP	1	ASSEMBLE		F521-150CC	ENGINE 150cc	1	150cc
2	F521 - 011001	HEAD CYLINDER COVER	1	CAST	2A	F521-011001A	HEAD CYLINDER COVER	1	150CC
3	F521 - 011002	GASKET HEAD COVER	1	CAST					
4	F521 - 011003	PLATE BREATHER SEPARATE	1						
5	GB/T13806.2-92	SCREW TAPPING	3	ST4.2 x 8					
6	F521 - 011004	TUBE BREATHER	1						
7	F521 - 011005	CLIP B8 TUBE	1						
8	F521 - 011006	CLIP B12 TUBE	1						
9	F521 - 011010	JOINT COMP	1						
10	GB5787 M6 x 25	BOLT FLANGE	4						



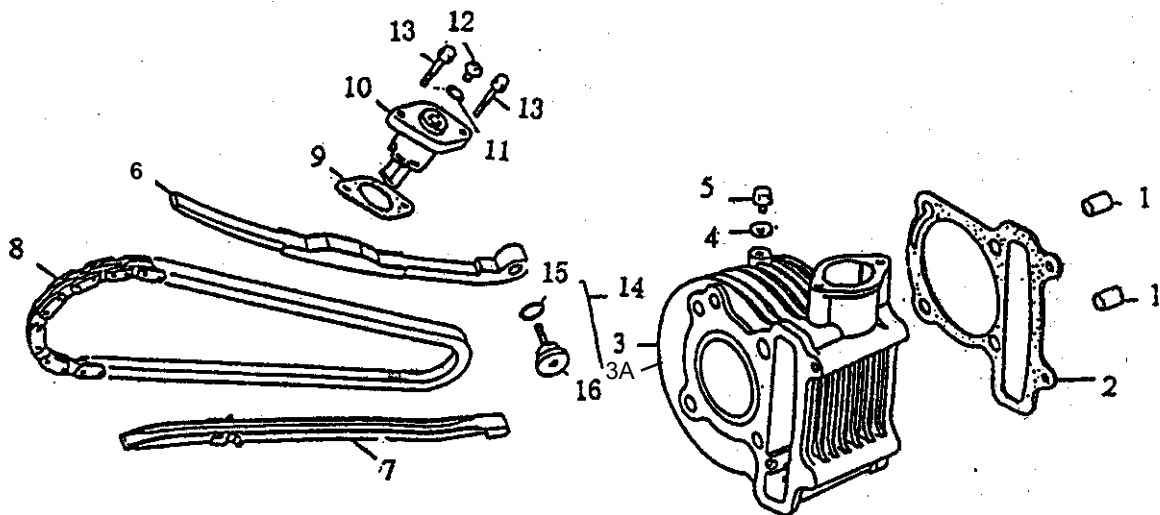
D-2 HEAD CYLINDER COMP./VALVE

No.	Part No.	Description	Q'ty	Remarks	No.	Part No.	Description	Q'ty	Remarks
	F521-012000	HEAD CYLINDER ASSY	1	ASSEMBLE	11	F521-010006	BOLT STUD 6 x 32	2	
1	F521-012100	HEAD CYLINDER COMP.	1		12	F521-010007	BOLT STUD 6 x 50	2	
2	F521-012101	HEAD CYLINDER	1	125CC	13	F521-010008	SEAL VALVE STEM	2	
3	F521-012102	O-RING 9.0-1.6	2		14	F521-010009	SEAT VALVE SPG. OUTER	2	
4	F521-012103	GUIDE IN VALVE	1		15	F521-010011	SPG. VALVE OUTER	2	
5	F521-012104	GUIDE EX VALVE	1		16	F521-010012	SPG. VALVE INNER	2	
6	F521-010001	DOWEL PIN 10 x 14	2		17	F521-010013	RETAINER VALVE SPRING	2	
7	F521-020001	GASKET HEAD CYLINDER	1	125CC	18	F521-010014	COTTER VALVE	4	
8	F521-010003	EXHAUST VALVE	1	125CC	19	F521-010015	GASKET EXHAUST PIPE	1	
9	F521-010004	INTAKE VALVE	1	125CC	20	C7HSA	SPARK PLUG	1	
10	M6 x 100GB5787	BOLT FLANGE M6 x 100	2						
2A	F521-012101A	HEAD CYLINDER	1	150CC	8A	F521-010003A	EXHAUST VALVE	1	150CC
7A	F521-020001A	GASKET HEAD CYLINDER	1	150CC	9A	F521-010004A	INTAKE VALVE	1	150CC



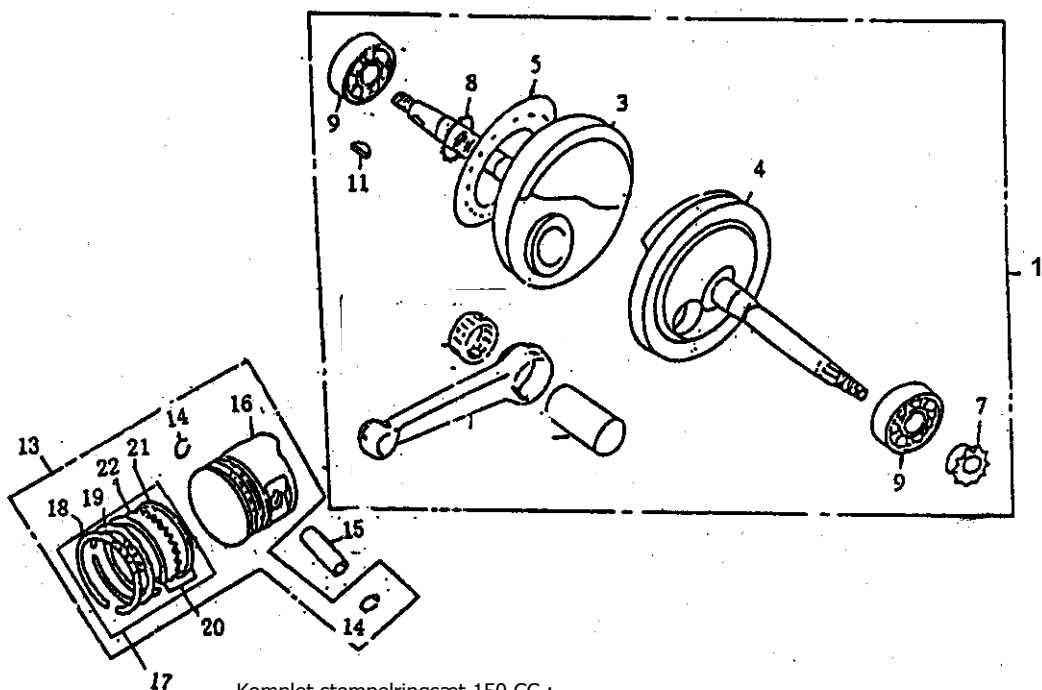
### D-3 ARM VALVE ROCKER COMP./SHAFT COMP. CAM

No.	Part No.	Description	Q'ty	Remarks	No.	Part No.	Description	Q'ty	Remarks
	F521 - 012200	ARM VALVE ROCKER COMP.	1	ASSEMBLE	11	F521 - 012300	SHAFT COMP. CAM	1	150CC
1	F521 - 010001	DOWEL PIN 10 x 14	2			F521 - 012301	CAM SHAFT	1	
2	F521 - 012201	HOLDER SHAFT	1	125CC		16002	BEARING	2	
3	F521 - 012202	WASHER 8mm	4			F521 - 012302	SPROCKET COMP. CAM	1	
4	F521 - 012203	NUT M8	4		11B	F521-012300B	SHAFT COMP. CAM	1	125CC
5	F521 - 012204	SHAFT EX ROCKET ARM	1	125CC	2A	F521-012201A	HOLDER SHAFT	1	150CC
6	F521 - 012205	SHAFT IN ROCKET ARM	1	125CC	5A	F521-012204A	SHAFT EX ROCKET ARM	1	150CC
7	F521 - 012206	ARM VALVE ROCKER	2	125CC	6A	F521-012205A	SHAFT IN ROCKET ARM	1	150CC
8	F521 - 012207	SCREW TAPPET ADJUSTING	2		7A	F521-012206A	ARM VALVE ROCKER	2	150CC
9	F521 - 012208	NUT TAPPET ADJUSTING	2		10A	F521-012210A	PLATE COMP. STOPPER	1	ASSEMBLE 150CC
10	F521 - 012210	PLATE COMP. STOPPER	1	ASSEMBLE 125CC					



#### D-4 CYLINDER - CHAIN CAM

No.	Part No.	Description	Q'ty	Remarks	No.	Part No.	Description	Q'ty	Remarks
	F521 - 02000	CYLINDER ASSY	1	ASSEMBLE	11	F521 - 020011	O - RING 1.5 x 9.5	1	
1	F521 - 012201	DOWEL PIN 10 x 14	2		12	F521 - 020012	SCREW PAN	1	M6 x 6
2	F521-020003	GASKET CYLINDER	1		13	GB5787M6 x 22	BOLT FLANGE	2	
3	F521 - 020002	CYLINDER	1	125CC	14	F521 - 020020	PIVOT CAM CHAIN SET	1	
	F521 - 020003WT	SLEEVE CYLINDER	1		15	F521 - 020021	O - RING 15.2 x 1.5	1	
4	F521 - 020004	WASHER SEALING	1		16	F521 - 020022	PIVOT CAM CHAIN TENSION	1	
5	GB5787M6 x 12	BOLT FLANGE	1		10	F521-240010	TENSIONER LIFTY	1	
6	F521 - 020005	TENSIONER CAM CHAIN	1		3A	F521-020002A	CYLINDER	1	150CC
7	F521 - 020006	GUIDE ROD CHAIN	1						
8	F521 - 020007	CHAIN CAM	1						
9	F521 - 020008	GASKET TENSIONER LIFTY	1						



Komplet stempelringsæt 150 CC :  
 Pistonring assy 150 CC :

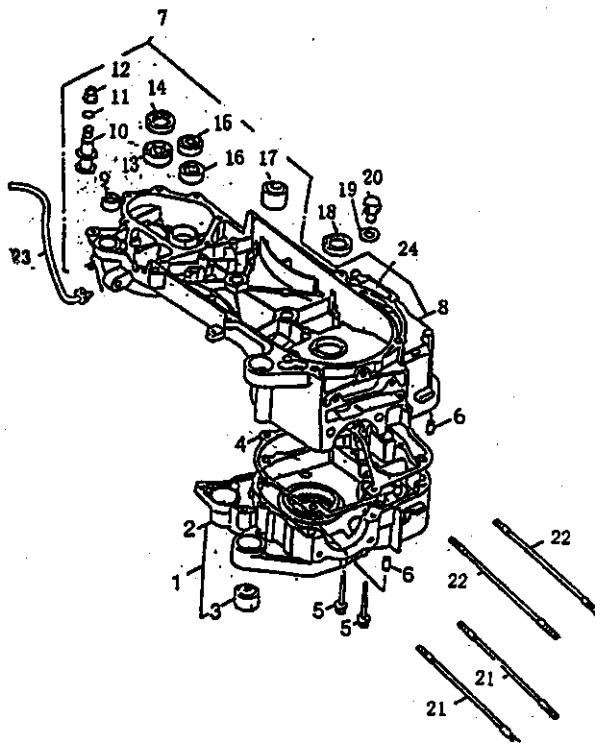
ATFV521-032102A

### D - 5 CRANKSHAFT - PISTON

No.	Part No.	Description	Q' ty	Remarks	No.	Part No.	Description	Q' ty	Remarks
	F521 - 030000	CRANKSHAFT, ROD CON- NECTING PISTON ASSY	1	ASSEMBLE	11	F521 - 031009	KEY WOOD RUFF	1	
1	F521 - 031000	CRANKSHAFT COMP.	1		12	F521 - 031010	CON - ROD COMP.	1	
2	F521 - 031001	ROD CONNECTING	1		13	F521 - 032000	PISTON COMP.	1	
3	F521 - 031002	RIGHT CRANKSHAFT	1		14	F521 - 032001	CLIP, PISTON PIN 15mm	2	
4	F521 - 031003	LEFT CRANKSHAFT	1		15	F521 - 032002	PISTON PIN	1	
5	F521 - 031004	PLATE R CRANK SIDE	1		16	F521 - 032003	PISTON	1	
6	F521 - 031005	PIN CRANK - - SHAFT	1		17	F521 - 032100	PISTON - RING COMP.	1	
7	F521 - 031006	SPROCKET TIMING	1		18	F521 - 032101	RING PISTON TOP	1	
8	F521 - 031007	SPROCKET PUMP DRIVE	1		19	F521 - 032102	RING PISTON 2ND	1	
9	63122CB	BEARING	2		20	F521 - 032110	RING PISTON OIL	1	
10	F521 - 031008	BEARING CON - ROD	1		21	F521 - 032111	SIDE RAIL	2	

### D - 5 CRANKSHAFT - PISTON

No.	Part No.	Description	Q' ty	Remarks	No.	Part No.	Description	Q' ty	Remarks
22	F521 - 032112	SPACER	1						

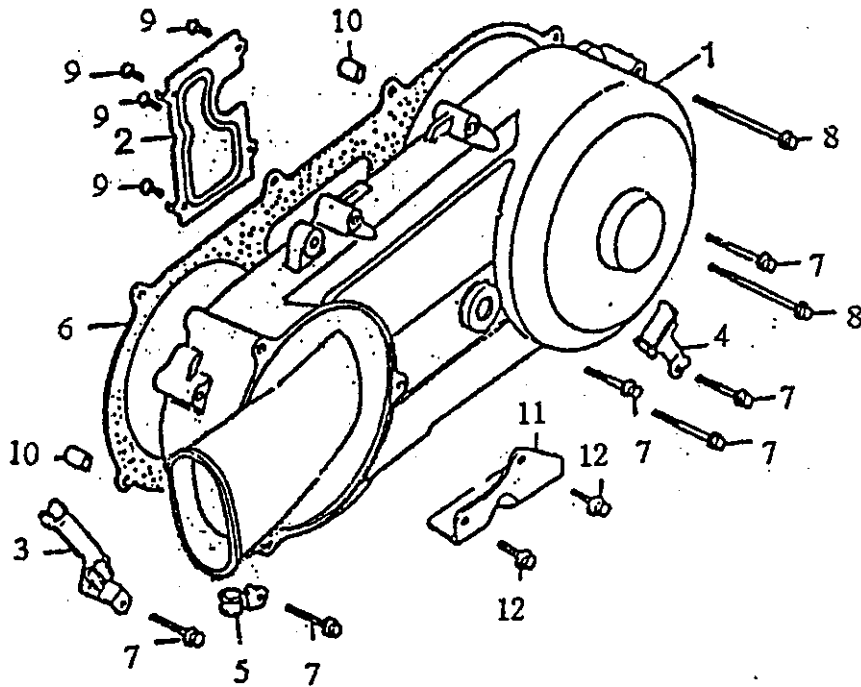


### D-6 CRANKCASE

No.	Part No.	Description	Q'ty	Remarks	No.	Part No.	Description	Q'ty	Remarks
	F521 - 040000	CRANKCASE ASSY			9	F521 - 042001	BUSH RR. CUSHION UNDER RUBBER	1	
1	F521 - 041000	RIGHT CRANKCASE	1	125 CC	10	F521 - 042002	PIN BRAKE SHOE ANCHOR	1	
2	F521 - 041010	RIGHT CRANKCASE	1	150 CC	11	F521 - 042003	O - RING 7.5 x 1.5	1	
	F521 - 041011WT	BUSH R 56mm	1		12	GB6177A M8	NUT	1	
	F521 - 041012WT	PLUG CONE TYPE	2		13	90200242	BEARING	1	20 x 42 x 12
3	F521 - 041001	BUSH, ENGINE HANGER RUBBER	1		14	F521 - 042004	OIL SEAL 27 x 42 x 7	1	
4	F521 - 041002	CRANKCASE GASKET	1		15	6301GB/T276 - 94	BEARING	1	12 x 37 x 12
5	GB5787M6 x 50	BOLT FLANGE	2		16	60DGB/T266 - 94	BEARING	1	15 x 32 x 9
6	F521 - 041003	DOWEL PIN 8 x 14	2		17	F521 - 041001	BUSH, ENGINE HANGER RUBBER	1	
7	F521 - 042000	LEFT CRANKCASE ASSY	1		18	F521 - 042005	OIL SEAL 19.8 x 30 x 5		
8	F521 - 042100	LEFT CRANKCASE COMP.	1		19	F521 - 042006	WASHER	1	

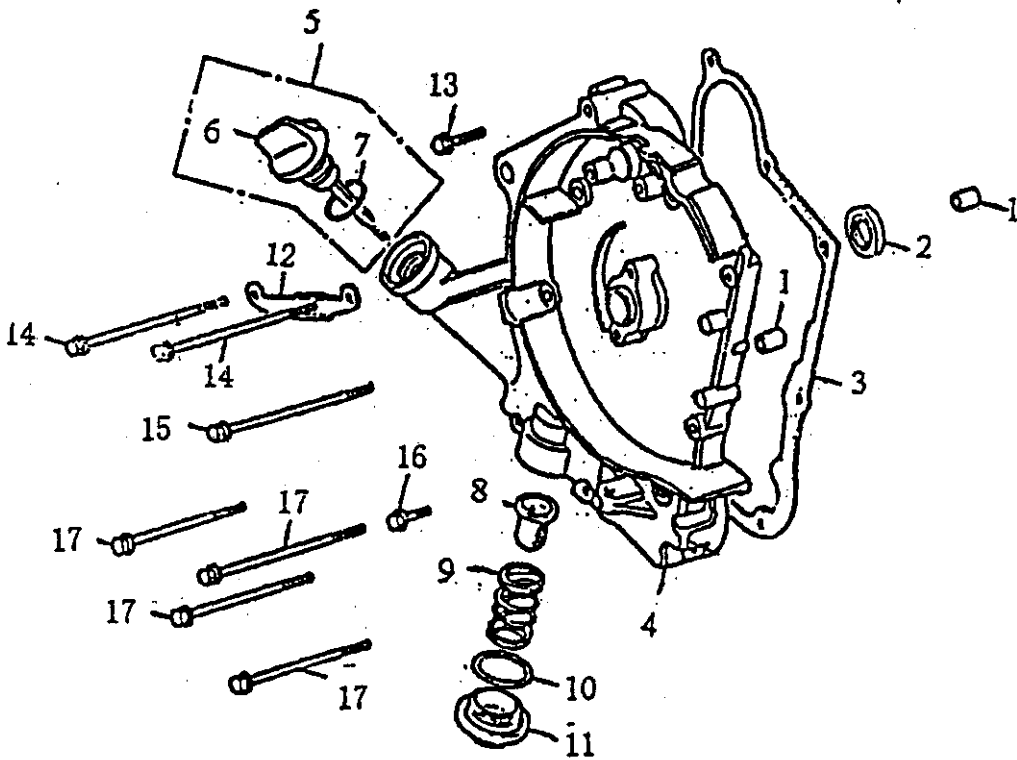
### D-6 CRANKCASE

No.	Part No.	Description	Q'ty	Remarks	No.	Part No.	Description	Q'ty	Remarks
20	F521 - 042007	BOLT DRAIN PLUG 12 x 1.5	1						
21	F521 - 042008	BOLT STUD 8 x 187.5	2	RIGHT CASE					
22	F521 - 042009	BOLT STUD 8 x 195.5	2	LEFT CASE					
23	F521 - 042010	TUBE BREATHER	1						



### D-7 LEFT CRANKCASE COVER

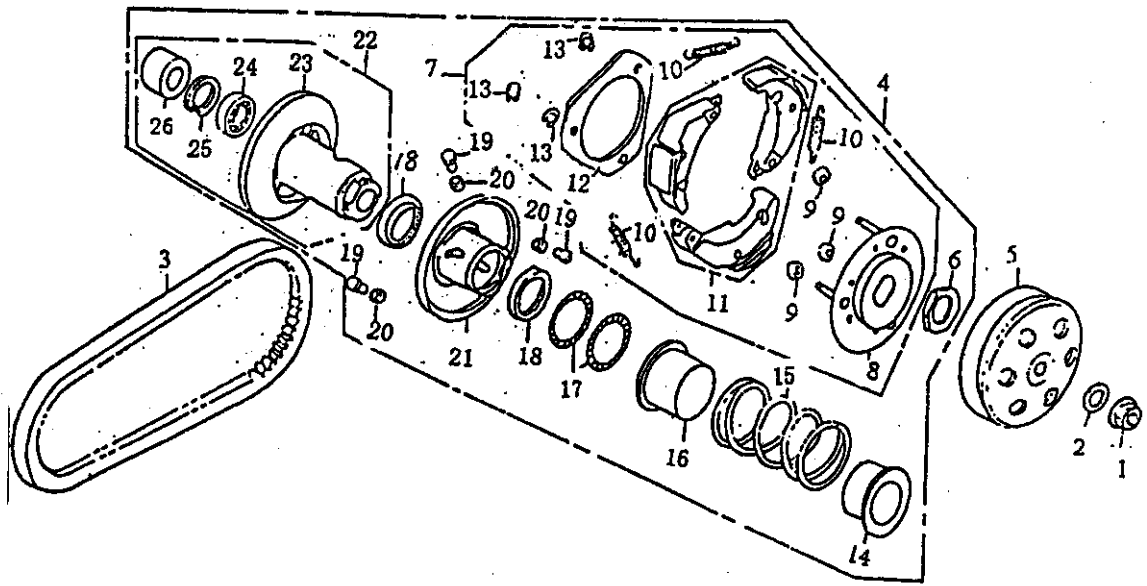
No.	Part No.	Description	Q'ty	Remarks	No.	Part No.	Description	Q'ty	Remarks
	F521 - 043000	LEFT CRANKCASE COVER ASSY	1		11	F521 - 043007	PROTECTION PLATE	1	
1	F521 - 043001	LEFT CRANKCASE COVER	1	CAST	12	GB5787 M6 x 16	BOLT FLANGE 6 x 14	1	
2	F521 - 043002	PLATE L COVER LEFT	1						
3	F521 - 043003	CLAMPER THROTTLE CABLE	1						
4	F521 - 043004	CLAMPER BRAKE CABLE	1						
5	F521 - 043005	CLAMPER BREATHER DRAIN TUBE	1						
6	F521 - 043006	GASKET L COVER	1						
7	GB5787 M6 x 40	BOLT FLANGE 6 x 40	6						
8	GB5787 M6 x 65	BOLT FLANGE 6 x 65	2						
9	GB/T13806.2 - 92	SCREW TAPPING ST4.2 x 8	4	M4 x 8					
10	F521 - 041003	DOWEL PIN 8 x 14	2						



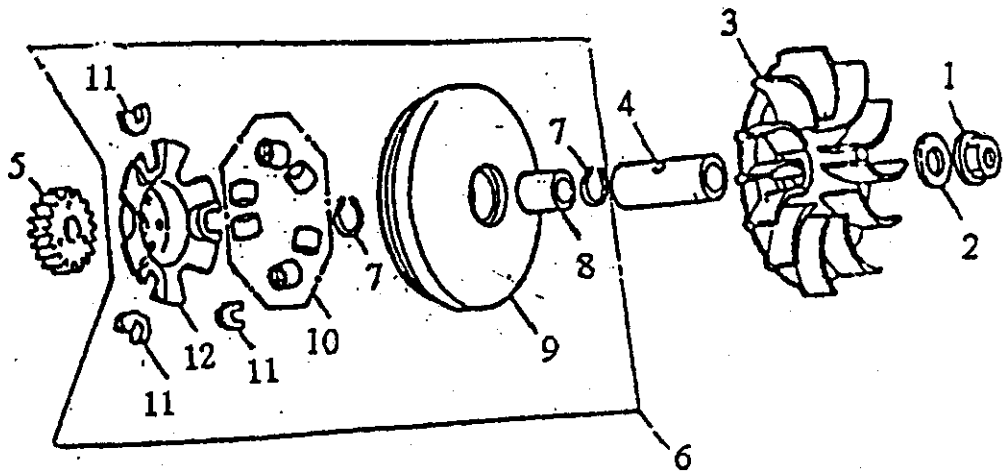
D - 8 RIGHT CRANKCASE COVER

No.	Part No.	Description	Q'ty	Remarks	No.	Part No.	Description	Q'ty	Remarks
	F521 - 044000	RIGHT CRANKCASE COVER	1		11	F521 - 044006	CAP SPC OIL FILTER SCREEN	1	
1	F521 - 041003	DOWEL PIN 8 x 14	2		12	F521 - 044007	CLAMDER A. C. G GENERATOR	1	
2	F521 - 042005	OIL SEAL 19.8 x 30 x 5	1		13	GB5787 M6 x 40	BOLT FLANGE	1	
3	F521 - 044001	RIGHT CRANKCASE COVER	1		14	F521 - 044008 6 x 110	BOLT FLANGE	2	
4	F521 - 044002	RIGHT CRANKCASE COVER	1	CAST	15	F521 - 010005 6 x 100	BOLT FLANGE	1	
5	F521 - 044010	DIP STICK COMP.	1		16	GB5787 M6 x 32X	BOLT FLANGE	1	
6	F521 - 044011	DIP STICK	1		17	F521 - 044009	BOLT FLANGE 6 x 95	4	
7	F521 - 044012	O - RING 18 x 3.5	1						
8	F521 - 044003	SCREEN, OIL FILTER	1						
9	F521 - 044004	SPRING OIL FILTER SCREEN	1						
10	F521 - 044005	O - RING 30.8 x 3.2	1						





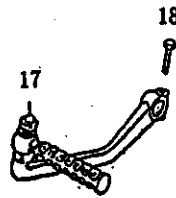
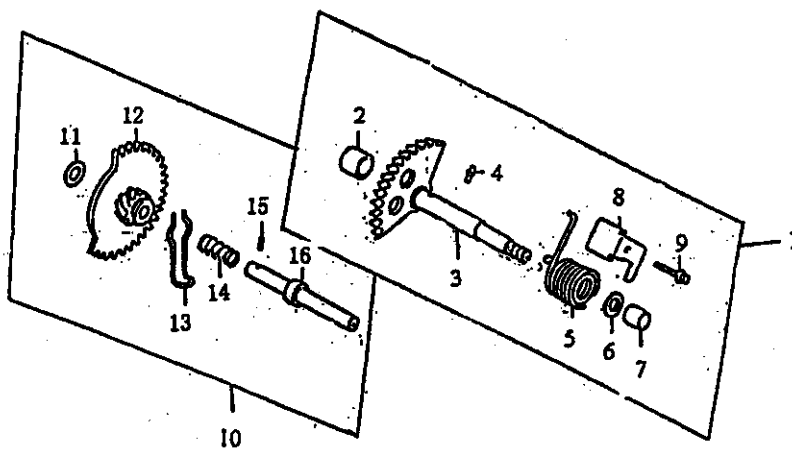
3	F521-060002
4	F521-060000
5	F521-061001
7	F521-061100



**D - 10 FACE ASSY MOVABLE DRIVE**

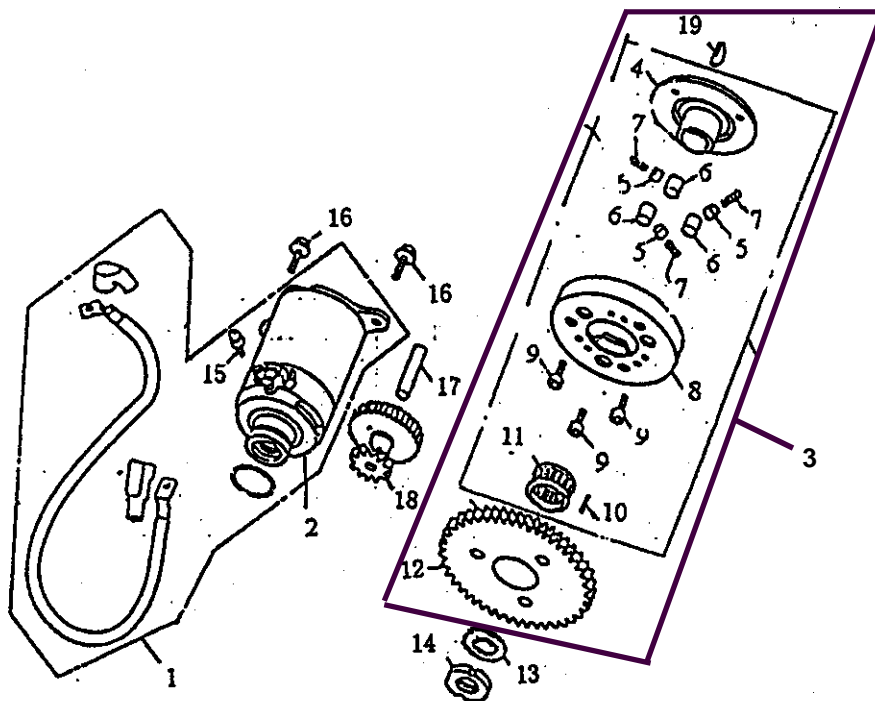
No.	Part No.	Description	Q'ty	Remarks	No.	Part No.	Description	Q'ty	Remarks
	F521 - 070000	FACE ASSY MOVABLE DRIVE			11	F521 - 070015	PIECE SIDE	3	
1	GB6177A N12	NUT M12	1		12	F521 - 070016	PLATE RAMP	1	
2	F521 - 060001	WASHER 12.2 x 29 x 2.5	1						
3	F521 - 070001	FACE DRIVE	1						
4	F521 - 070002	BOSS DRIVE FACE	1						
5	F521 - 070003	GEAR KICK DRIVEN	1						
6	F521 - 070010	FACE ASSY MOVABLE DRIVE	1						
7	F521 - 070011	CIR CLIP 28mm	2						
8	F521 - 070012	COLLAR DRIVE FACE	1						
9	F521 - 070013	FACE COMP. MOVABLE DRIVE	1						
10	F521 - 070014	ROLLER SET WEIGHT	6						





## D - 12 KICK START SYSTEM

No.	Part No.	Description	Q' ty	Remarks	No.	Part No.	Description	Q' ty	Remarks
	F521 - 090000	KICK START SYSTEM	1		11	F521 - 092001	WASHER		
1	F521 - 091000	SPINDLE ASSY KICK START	1		12	F521 - 092010	GEAR COMP. STARTER IDLE	1	焊接件
2	F521 - 091001	BUSH 12 x 16 x 12	1			F521 - 092011	GEAR	1	
3	F521 - 091002	SPINDLE COMP. KICK START	1	焊接件		F521 - 092012	CAM	1	
4	F521 - 091003	PIN SPECIAL	1		13	F521 - 092002	SPG. FRICTION START GEAR	1	
5	F521 - 091004	SPG. KICK STARTER	1		14	F521 - 092003	SPG. STARTER IDLE	1	
6	F521 - 091005	WASHER	1		15	F521 - 092004	ROLLER 3 x 8.5	1	
7	F521 - 091006	BUSH 14 x 18 x 16	1		16	F521 - 092005	SHAFT IDLE STARTER	1	
8	F521 - 091007	PLATE KICK STOPPER			17	F521 - 092006	ARM ASSY KICK STARTER	1	组合件
9	GB5787 M6 x 12	BOLT LFANGE	1		18	GB5787 M6 x 22	BOLT FLANGE	1	
10	F521 - 092000	GEAR ASSY STARTER IDLE	1						

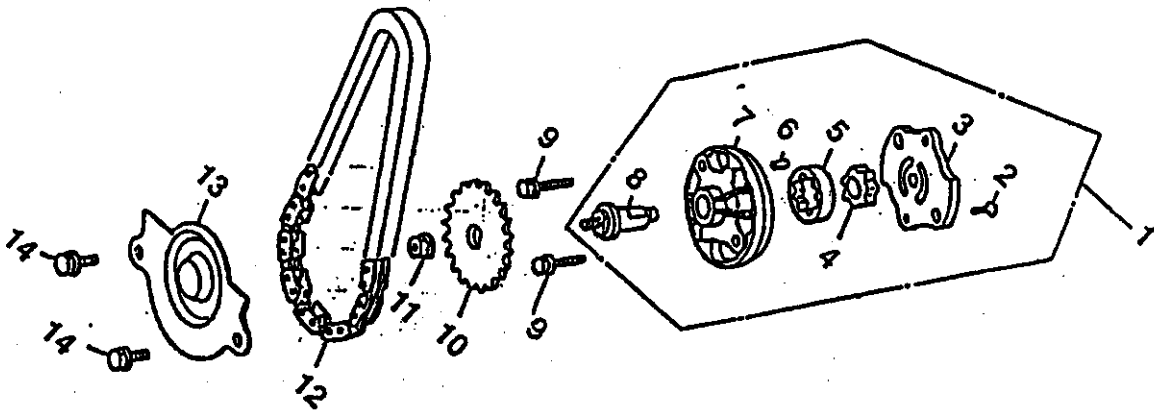


D - 13 ELECTRIC SYSTEM

No.	Part No.	Description	Q' ty	Remarks	No.	Part No.	Description	Q' ty	Remarks
	F521 - 100000	ELECTRIC SYSTEM	1			F521 - 102004	BOLT SET	2	
1	F521 - 101000	MOTOR ASSY START	1			F521 - 102005	SPG. WASHER 5mm	2	
	F521 - 101001	CABLE START MOTOR	1			F521 - 102006	BUSH CARBON	2	
	F521 - 101002	TERMINAL PLATE	1			F521 - 102007	FR. BRACKET, ASSY	1	
	F521 - 101003	COVER TERMINAL	1		3	F521 - 103000	ONE - WAY CLUTCH ASSY	1	
	F521 - 101004	COVER B MAG. SW	1		4	F521 - 103001	FLANGE ONE - WAY CLUTCH	1	
	F521 - 101005	TERMINAL BAT CABLE	1		5	F521 - 103002	CAP STARTING CLUTCH ROLLER SPG.	3	
2	F521 - 102000	MOTOR UNIT START	1		6	F521 - 103003	ROLLER 10 x 10	3	
	F521 - 102001	O - RING 24.4 x 3.1	1		7	F521 - 103004	ROLLER SPG.	3	
	F521 - 102002	YOKE	1		8	F521 - 103010	OUTER COMP. STARTING CLUTCH	1	
	F521 - 102003	O - RING	1			F521 - 103011	BOLT CLUTCH OUTER	1	

D - 13 ELECTRIC SYSTEM

No.	Part No.	Description	Q' ty	Remarks	No.	Part No.	Description	Q' ty	Remarks
	F521 - 103012	COVER CLUTCH OUTER	1		16	GB5787 M6 x 16	BOLT FLANGE	2	
	F521 - 103013	STOPPER CLUTCH ROLLER	3		17	F521 - 100003	SHAFT STARTER REDUCTION GEAR	1	
9	GB70 M6 x 12	BOLT SOCKET	3		18	F521 - 100004	GEAR STARTER REDUCTION	1	
10	F521 - 103005	DOWEL PIN 5 x 6	1		19	F521 - 100005	WOOD RUFF KEY 25 x 14 x 4	1	
11	28 x 32 x 17GB	NEEDLE BEARING	1						
12	F521 - 104000	GEAR COMP. STARTING CLUTCH	1						
	F521 - 104001	GEAR STARTING DRIVEN	1						
	F521 - 104002	BOSS STARTING CLUTCH	1						
13	F521 - 100001	WASHER 22.2 x 31 x 2	1						
14	F521 - 100002	NUT LOCK 22mm	1						
15	GB5783 M4 x 6	BOLT	2						



D - 14 OIL PUMP ASSY

No.	Part No.	Description	Q' ty	Remarks	No.	Part No.	Description	Q' ty	Remarks
	F521 - 110000	OIL PUMP ASSY	1		11	GB6117A M6	NUT FLANGE	1	GB6177 M6
1	F521 - 111000	OIL PUMP COMP.	1		12	F521 - 110002	CHAIN OIL PUMP DRIVEN	1	
2	GB819 M3 x 10	SCREW PAN	1		13	F521 - 110003	SEPARATOR OIL	1	
3	F521 - 111001	PLATE OIL PUMP	1		14	M6 x 12GB	BOLT FLANGE	2	
4	F521 - 111002	ROTOR OIL PUMP INNER	1						
5	F521 - 111003	ROTOR OIL PUMP OUTER	1						
6	F521 - 111004	DOWEL PIN 4 x 6.5	1						
7	F521 - 111005	SHAFT OIL PUMP	1						
8	F521 - 111006	BODY OIL PUMP	1						
9	GB5787 M6 x 25	BOLT FLANGE	2						
10	F521 - 110001	SPROCKET OIL PUMP DRIVEN	1						







1



2



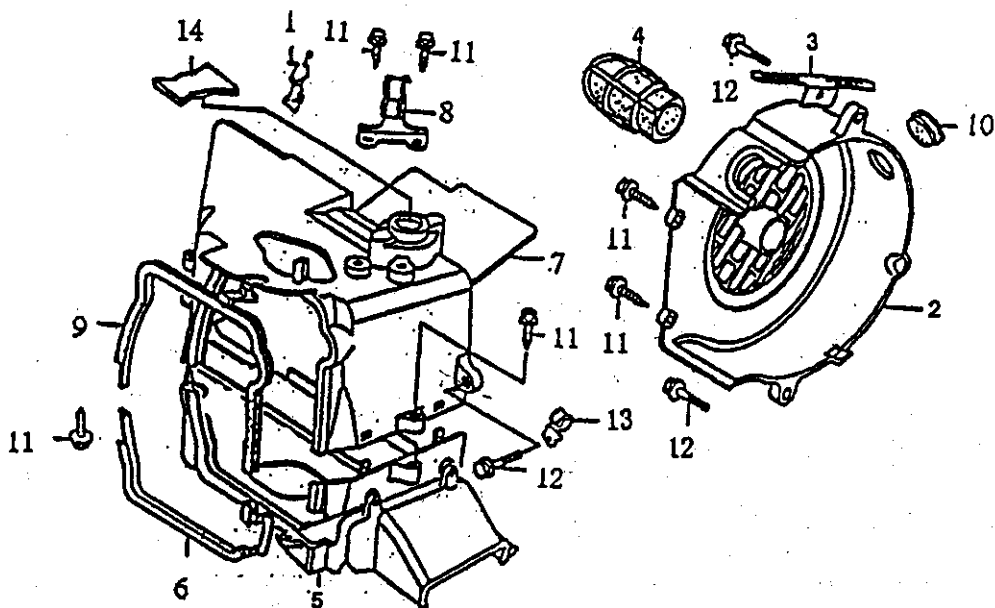
3



4

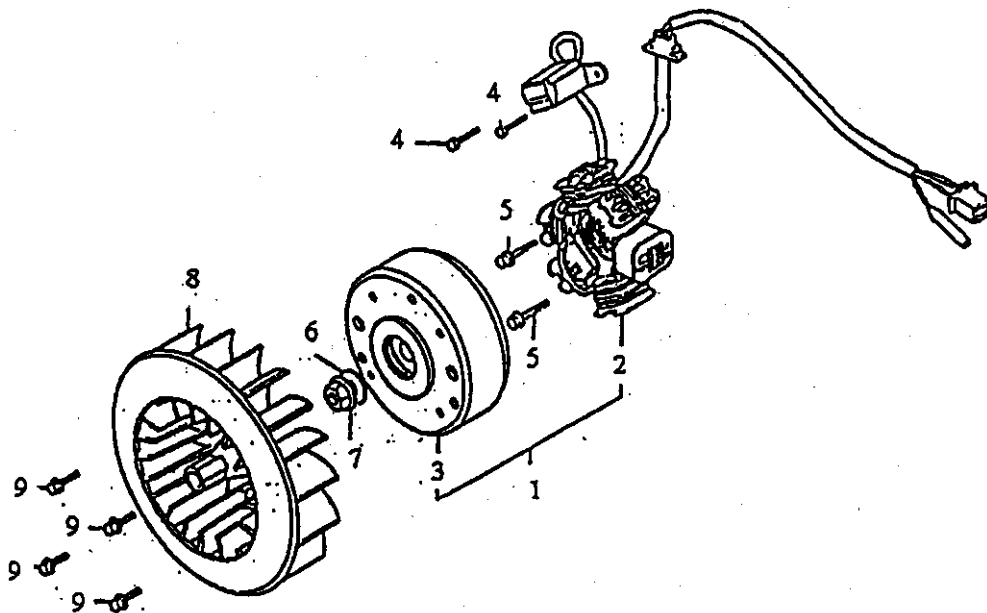
Pos	Vare nr. / Part no.	Qty	Beskrivelse	Description
1	292254	1	Karburator - stempel, manuel choker	Carburetor - piston manual choke
2	408523	1	Karburator - stempel, kabel choker	Carburetor - piston cable choke
3	ATVF521-121000	1	Karburator - membran med choker	Carburetor - diaphragm with choke
4	ATVF521-121000B	1	Karburator - membran uden choker	Carburetor - diaphragm w/o choke
	405010	1	Dyse 112,5	Nozzle 112,5





### D - 17 AIR COOLING SYSTEM

No.	Part No.	Description	Q'ty	Remarks	No.	Part No.	Description	Q'ty	Remarks
	F521 - 140000	COOLING AIR SYSTEM	1			F521 - 140202	COLLER FAN	2	
1	F521 - 140001	CLAMPER BREATHER TUBE			8	F521 - 140006	CLIP HIGH TENSION CORD	1	
2	F521 - 140100	COVER COMP. FAN	1		9	F521 - 140007	SEAL SHROUE(B)	1	
	F521 - 140101	COVER FAN	1		10	F521 - 140008	GROMMEET A SIDE PANEL	1	
		COLLER FAN	2		11	GB074.1B - 88 ST4.8 x 16	SCREW TAPPING	6	M5 x 16
3	F521 - 140002	CLAMPER STARTER CABLE	1		12	GB5787 M6 x 25	BOLT FLANGE	3	
4	F521 - 140003	DUCT CARBURETOR COOLING	1		13	F521 - 140009	CARB. DRAIN TUBE	1	
5	F521 - 140004	SHROUD A	1		14	F521 - 140011	GROMMEET B SIDE PANEL	1	
6	F521 - 140005	SEAL SHROUD(A)	1						
7	F521 - 140200	SHROUD B COMP.	1						
	F521 - 140201	SHROUD B	1						



D - 18 MANGETO ASSY

No.	Part No.	Description	Q' ty	Remarks	No.	Part No.	Description	Q' ty	Remarks
	F521 - 160000	MANGETO ASSY							
2	F521 - 160001	ROTOR COIL COMP.	1						
3	F521 - 160002	FLYWHEEL COMP.	1						
4	GB5787 M5 x 12	BOLT FLANGE	2						
5	GB5787 M6 x 20	BOLT FLANGE	2						
6	GB97.1A d12	WASHER	1						
7	GB6177A M12	NUT	1						
8	F521 - 160010	FAN COMP. COOLING	1						
	F521 - 160011	FAN COMP. COOLING	1						
	F521 - 160012	COOLAR FAN	4						
9	GB5787 M6 x 16	BOLT FLANGE	4						



6



7



8



5



4



1

2



3

D-19

No.	Part No.	Description	Q'ty	Remarks	No.	Part No.	Description	Q'ty	Remarks
	F521-190000	AIR CLEANER ASSY			5	F521-190005	ELEMENT COMP.	1	
1	F521-190001	SCREW TAPPING	3		6	F521-190006	CASE AIR CLEANER	1	
2	F521-190002	COVER	1		7	F521-190007	TUBE AIR CLEANER CONNECTING	1	
3	F521-190003	SCREW TAPPING	3		8	F521-190008	BAND AIR CLEANER CONNECTING TUBE	1	
4	F521-190004	COVER	1						



No.	Part No.	Description	Q'ty	Remarks
1	F521-190009	Air cleaner bracket	1	



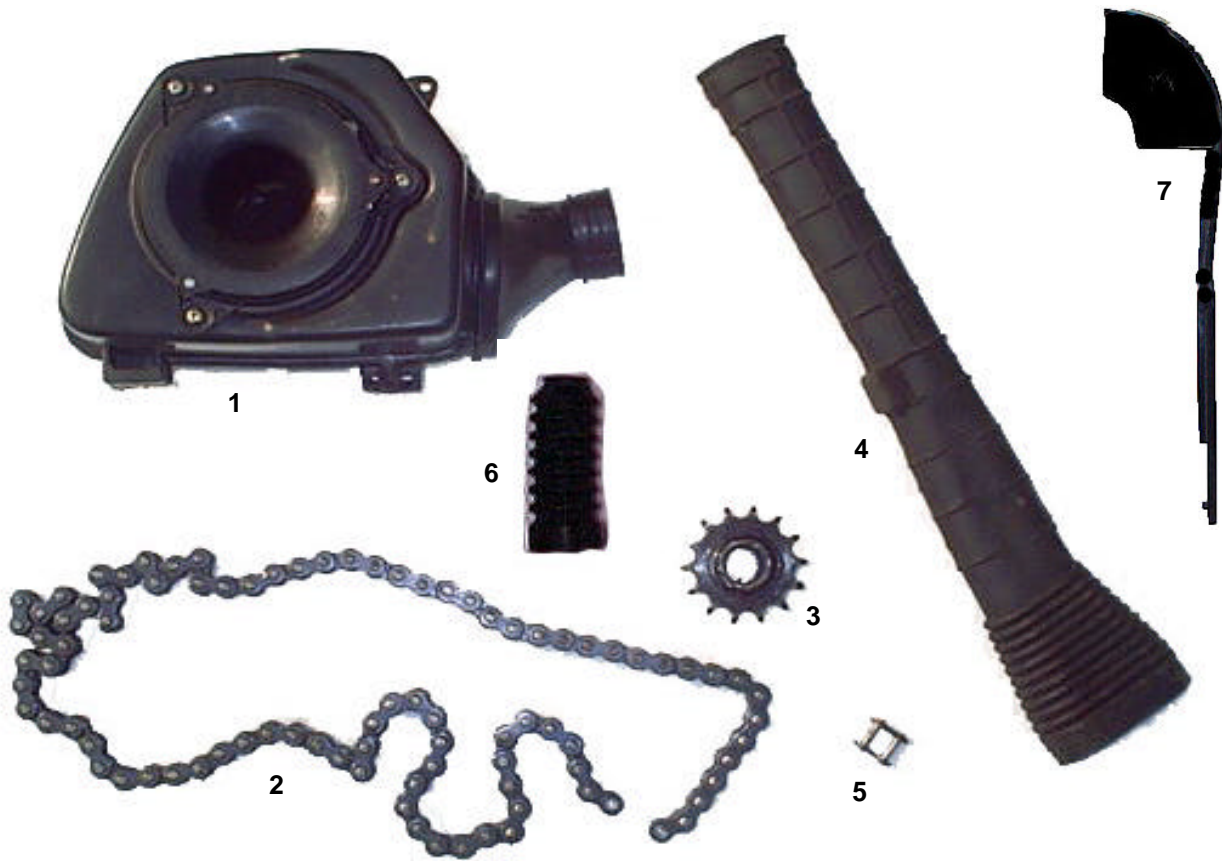






D-22

No.	Part No.	Description	Q'ty	Remarks	No.	Part No.	Description	Q'ty	Remarks
1	C78-000003	PROTECTING SLIP PLATE	2		8	F521-220008	WASHER	24	
2	C78-000004	FOOTREST CASE (L)	1		9	C88-000103	CUSHION	12	
3	C78-000005	PLATE HOLDER	2		10	F521-220010	BOLT	12	
4	C78-000006	FOOTREST CASE (R)	1		11	F521-220011	NUT	8	
5	F521-220005	LOCKNUT	8		12	F521-220012	LOCKWASHER	8	
6	GB818-M6X35	SCREW PAN	8		13	F521-220013	WASHER	16	
7	F521-220007	LOCKNUT	12		14	F521-220014	BOLT	8	

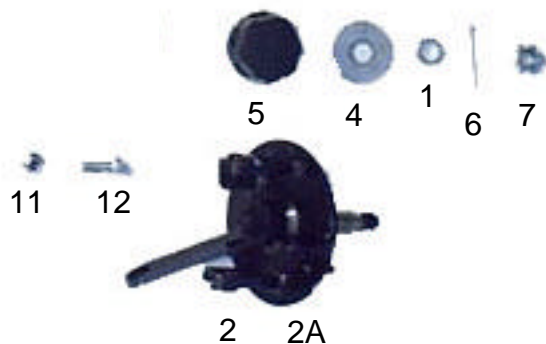


D-23

No.	Part No.	Description	Q'ty	Remarks	No.	Part No.	Description	Q'ty	Remarks
1	F521-190000	AIR CLEANER ASSY	1		4	F521-230004	INTAKE PIPE	1	
2	428H	CHAIN	1		5	428S	MASTERLINK	1	
3	F521-230003	SPROCKET ASSY DRIVEN	1		6	F521-230005	INTAKE PIPE	1	
					7	F521-230006	CHAIN GUARD	1	

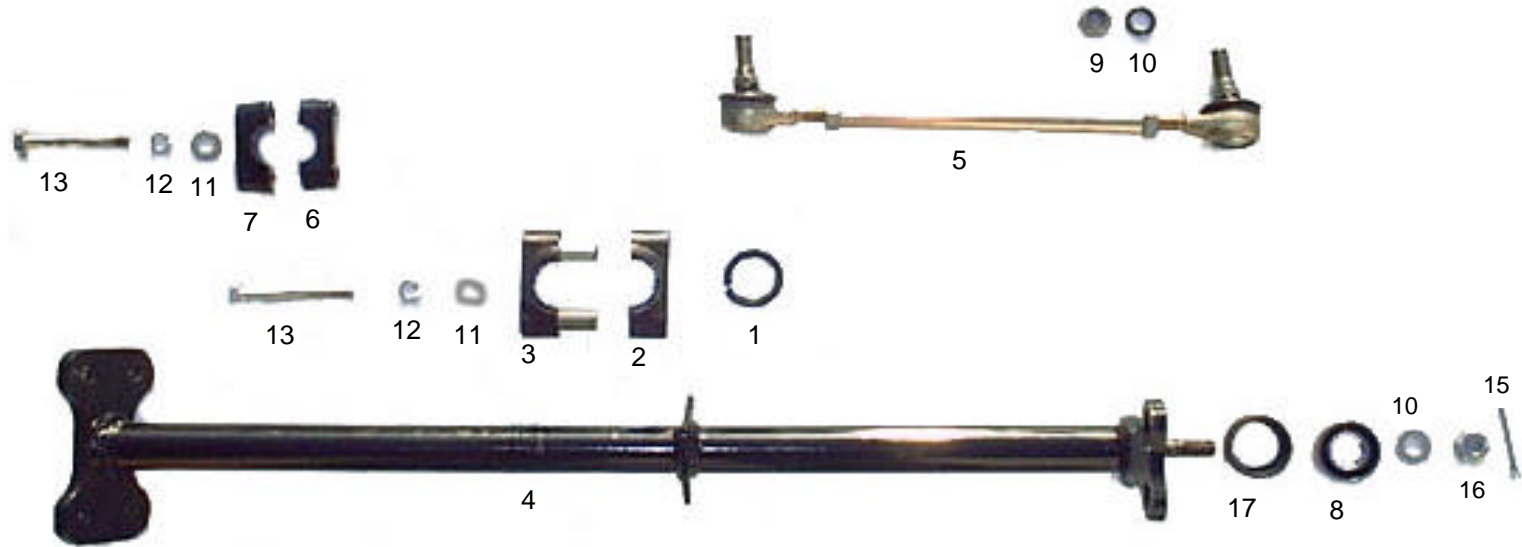


No.	Part No.	Description	Q'ty	Remarks
1	F521-230007	Intake air duct	1	
2	F521-230008	Band	1	



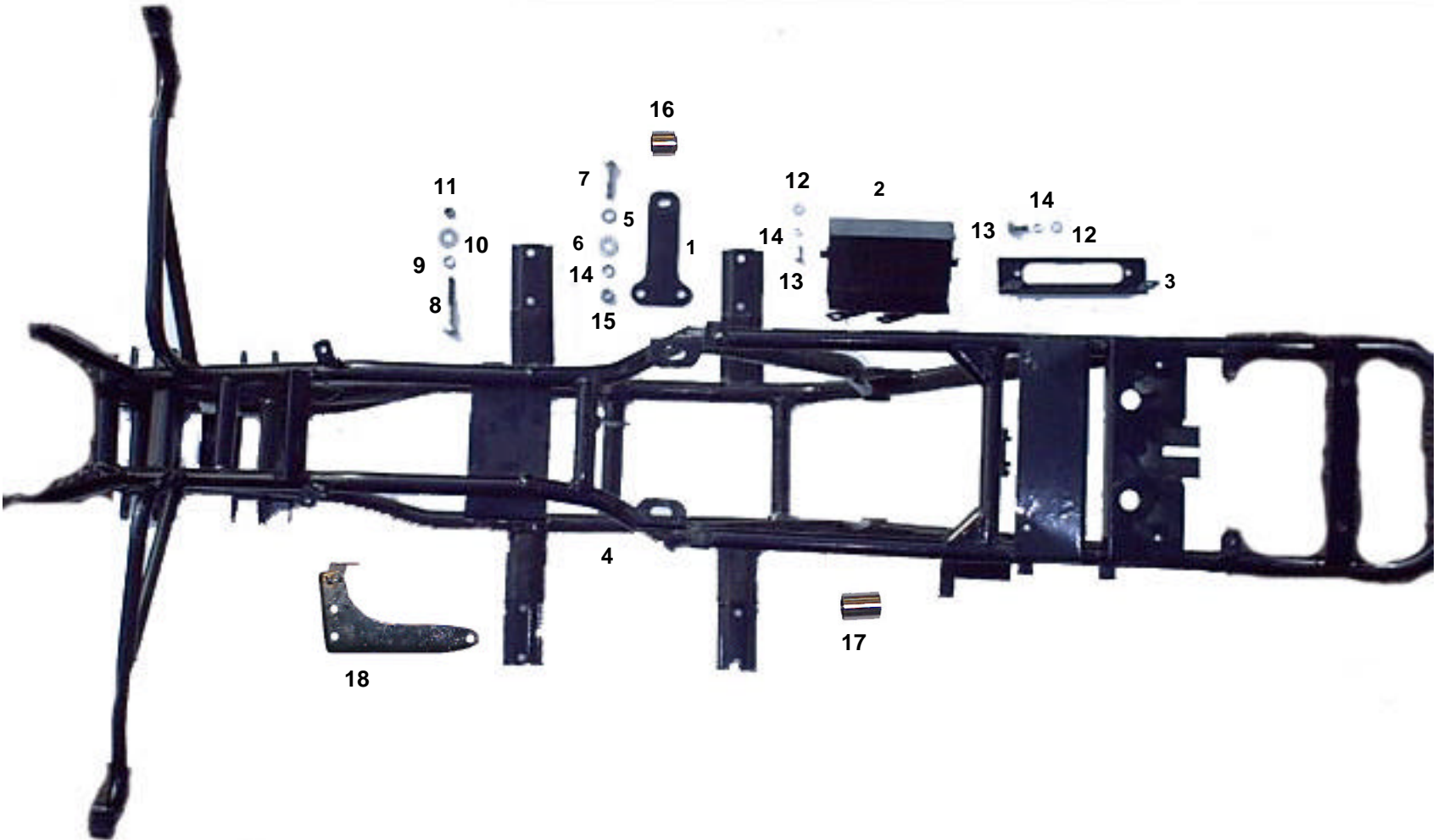
D-24

No.	Part No.	Description	Q'ty	Remarks	No.	Part No.	Description	Q'ty	Remarks
1	C78-060001	SPACER	2		6	GB91-Ø3X30	COTTER PIN	2	
2	C78-061000	FR.AXLE COMP	1	RIGHT	7	GB9458-M14	NUT	2	
2A	C78-061001	FR.AXLE COMP	1	LEFT	8	20X700-8	TIRE	2	
3	F521-240003	RIM	2		9	20X7-8	TUBE INNER	2	
4	C88-080009	WASHER	2		11	F521-240011	LOCKNUT	4	
5	C88-080011	DUST COVER	2		12	F521-240012	BOLT	4	



D-25

No.	Part No.	Description	Q'ty	Remarks	No.	Part No.	Description	Q'ty	Remarks
1	C78-080001	DUST SEAL	2		11	GB97.1-8	WASHER	10	
2	C78-080002	CLAMPER STEERING HANDLE	1		12	GB93-8	SPG.WASHER	6	
3	C78-080003	SEAT STEERING HANDLE	1		13	GB5780-M8X60	BOLT HEX.	6	
4	C78-081000	HANDLE	1					4	
5	C78-082000	PULLING BAR STEERING	2		15	GB91-Ø2X25	COTTER PIN	1	
6	C88-080004	HANDLE HOLDER	2		16	GB9458-M10	NUT	1	
7	C88-080005	REAR SEAT	2		17	F521-250017	DUST SEAL	1	
8	100GB278	BEARING	1	6000RS					
9	GB6182-M10	NUT LOCK	4						
10	GB97.1-10	WASHER	5						



D-26

No.	Part No.	Description	Q'ty	Remarks	No.	Part No.	Description	Q'ty	Remarks
1	C78-090001	SUPPORT PLATE	2		10	GB93-10	SPG.WASHER	1	
2	C78-090002	BATTERY CASE	1		11	GB6170-M10	NUT HEX.	1	
3	C78-090003	TAIL LIGHT HOLDER	1		12	GB97.1-6	WASHER	5	
4	C78-091000	FRAME COMP	1	ATV 125	13	GB5781-M6X12	BOLT HEX.	5	
4	C78-099999	FRAME COMP	1	ATV 150	14	F521-260014	LOCK WASHER	11	
5	GB97.1-10	WASHER	6		15	F521-260015	NUT	6	
6	GB93	SPG. WASHER	6		16	F521-340016	BUSH	4	L19 Ø=22mm
7	GB5780-M10X45	BOLT HEX.	6		17	F521-340017	BUSH	2	L34 Ø=25mm
8	GB5780-M10X90	BOLT HEX.	1		18	F521-340018	SUPPORT PLATE	2	
9	GB97.1-10	WASHER	1						



No.	Part No.	Description	Q'ty	Remarks
1	C78-091001	Towing ball 125-150	1	Old model



1



4



5



6

7



8



9

D-27

No.	Part No.	Description	Q'ty	Remarks	No.	Part No.	Description	Q'ty	Remarks
1	C78-101000	FUEL TANK COMP	1		8	051704	FUEL FILTER	1	
2	C88-000103	CUSHION	4		9	F521-270009	FUEL TUBE	1	
3	C88-090004	CUSHION	2		10	GB818-M6X16	SCREW PAN	2	
4	F521-270004	CAP FUEL TANK	1		11	GB96-6	WASHER	6	
5	F521-270005	FUEL SWITCH	1		12	GB6170-M6	NUT	2	
6	F521-270006	FUEL TUBE	1		13	GB818-M6X40	SCREW PAN	2	
7	050808	CLIP SPG.	4						



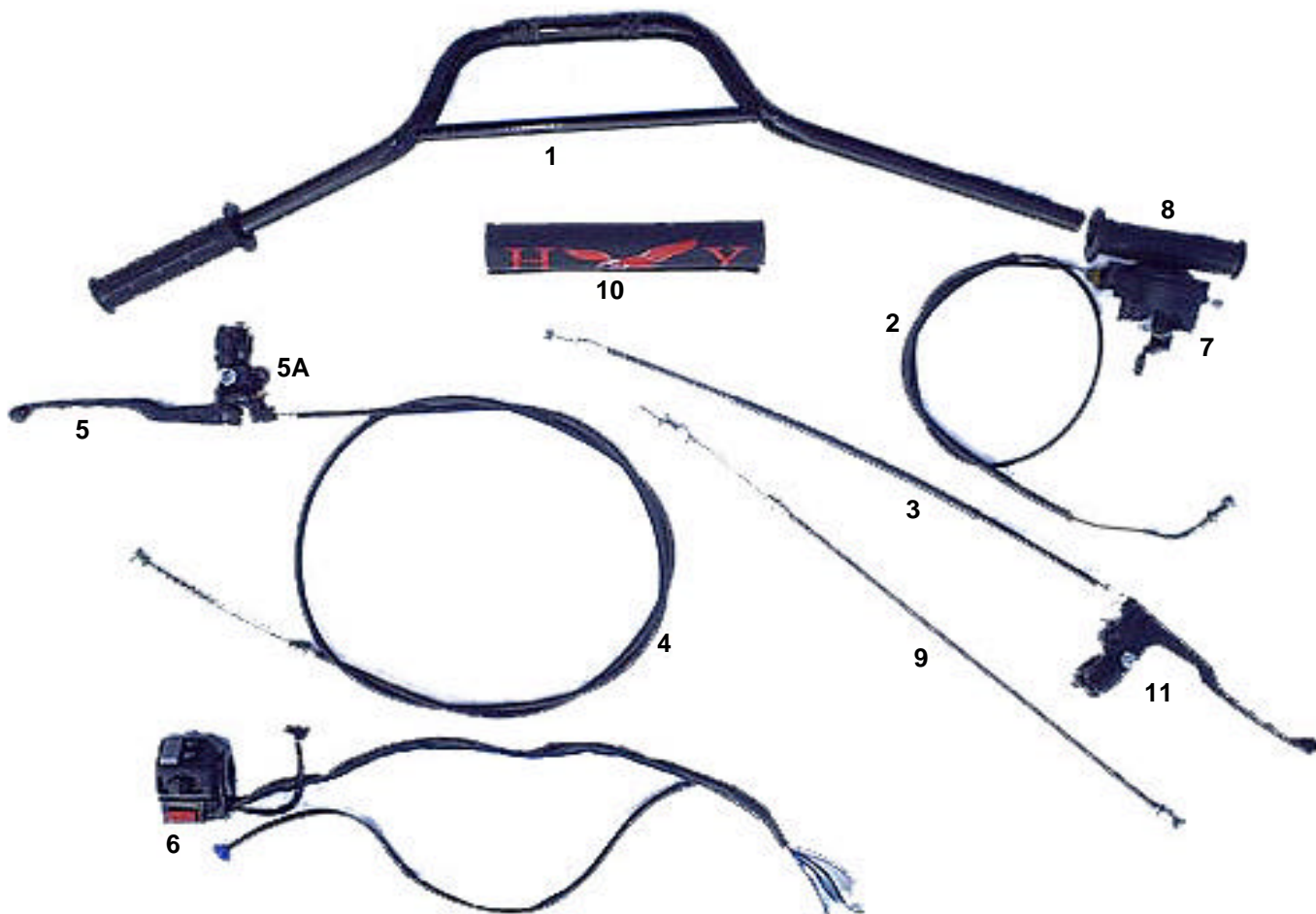


1



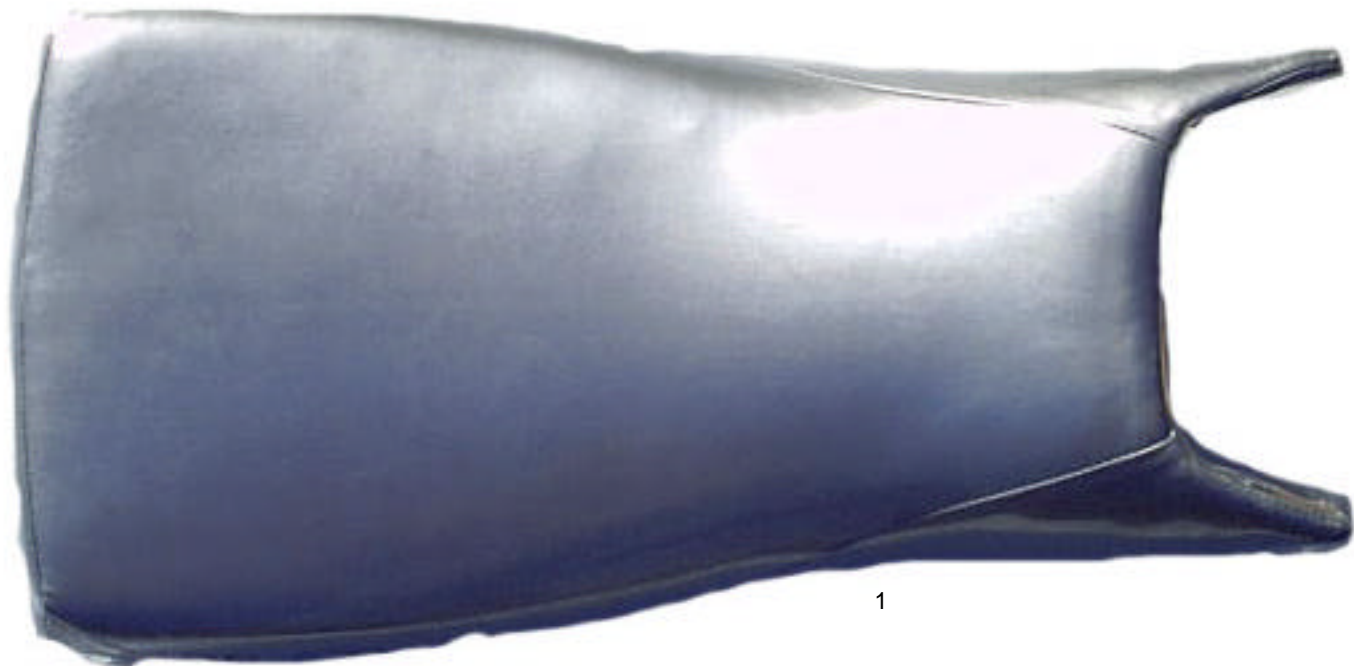
2

Pos	Vare nr. / Part no.	Qty	Beskrivelse	Description
1	401249	1	Brændstofhane	Fuel valve
2	ATV051730	1	Brændstofhane	Fuel valve



D-28

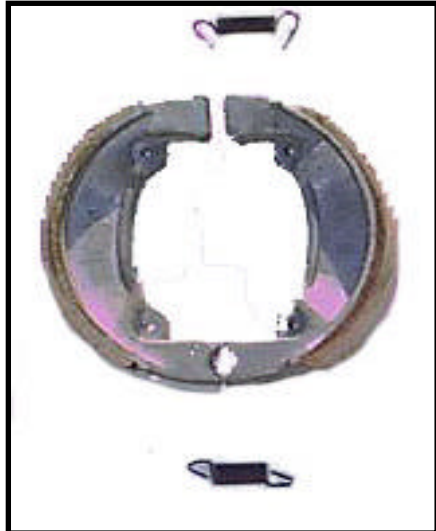
No.	Part No.	Description	Q'ty	Remarks	No.	Part No.	Description	Q'ty	Remarks
1	C78-110001	HANDLE BAR	1		6	C78-110500	LEFT SWITCH COMP.	1	
2	C78-110100	TROTTLE CABLE	1		7	C78-110600	RIGHT SWITCH COMP.	1	
3	F521-280003	FR. BRAKE CABLE UPPER	1		7	F521-280011	RIGHT SWITCH COMP.	1	OLD
4	C78-110300	RR. BRAKE CABLE	1		8	F521-280008	GRIP	2	
5	C78-110400	LEFT LEVER	1		9	F521-280009	FR. BRAKE CABLE LOWER	2	
5A	F521-280005	SWITCH	2		10	F521-280010	PAD	1	
					11	C78-110401	RIGHT LEVER	1	



1

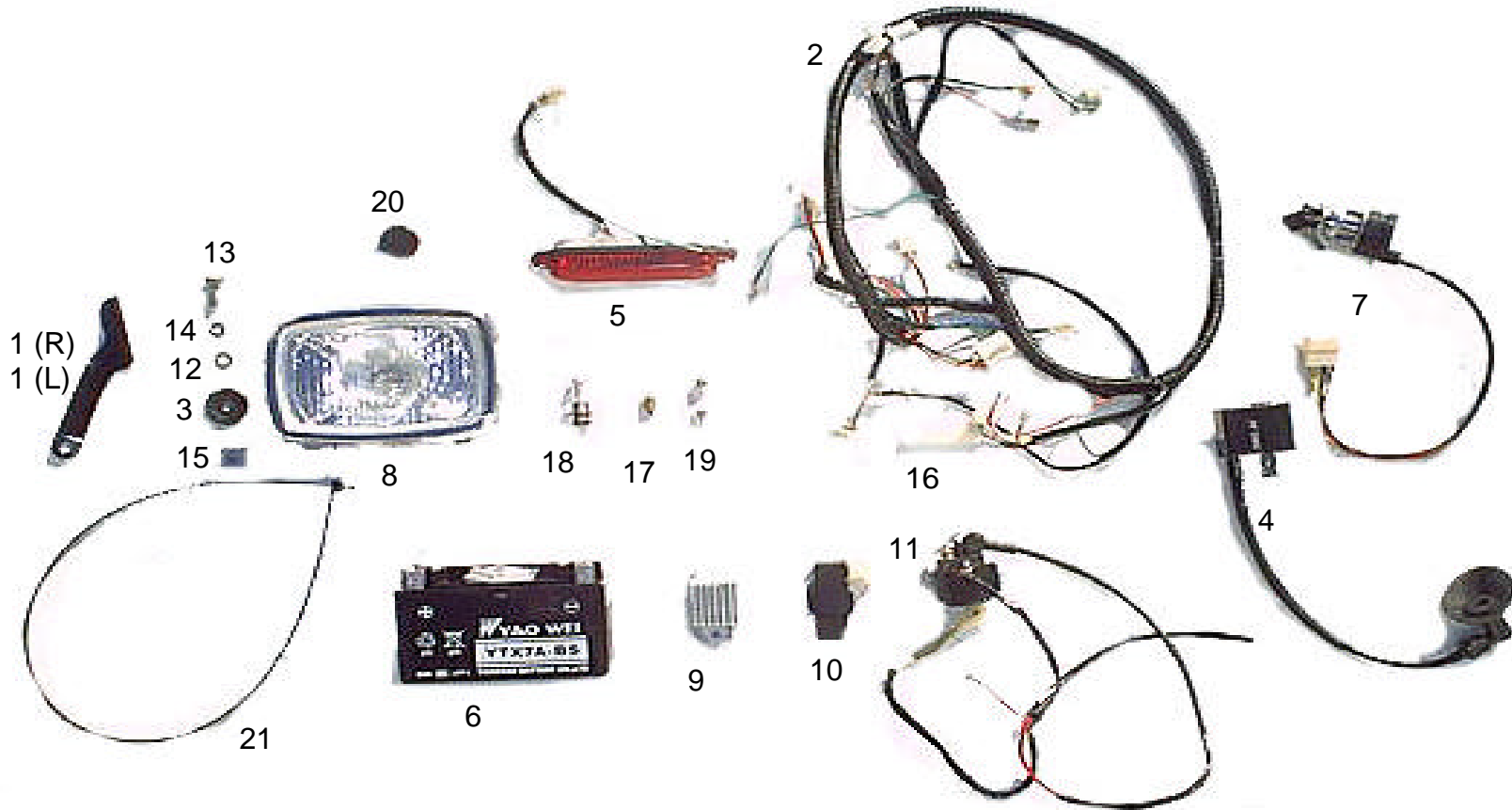
D-29

No.	Part No.	Description	Q'ty	Remarks	No.	Part No.	Description	Q'ty	Remarks
1	C78-130000	SEAT ASSY	1	ATV125	1	C78-130001	SEAT ASSY	1	ATV150



D-30

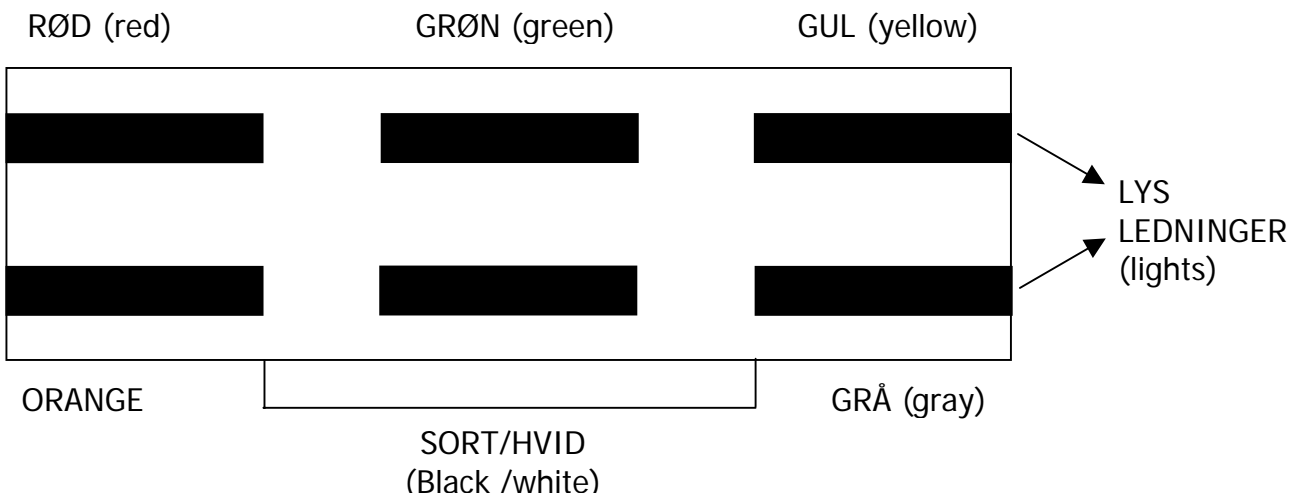
No.	Part No.	Description	Q'ty	Remarks	No.	Part No.	Description	Q'ty	Remarks
1	C78-140001	CAM BRAKE	2		4	F521-300008	BRAKE SHOE		
2	C78-140002	CAM LEVER	2		5	F521-300006	SEAL	4	
3	C78-140100	FR. BRAKE DRUM	2		6	102GB278	BEARING	4	6003ZZ



D-31

No.	Part No.	Description	Q'ty	Remarks	No.	Part No.	Description	Q'ty	Remarks
1	C78-180010	HEAD LIGHT HOLDER ( R )	1		11	F521-310011	FLASHER RELAY COMP.	1	
1	C78-180011	HEAD LIGHT HOLDER ( L )	1		12	GB96-8	WASHER	2	
2	C78-181000	WIRE HARNESS ASSY	1		13	GB5780-M8X12	SCREW HEX.	2	
3	C88-090004	CUSHION	2		14	F521-310014	LOCKWASHER	2	
4	F521-310004	IGNITION COIL	1		15	F521-310015	SPG. NUT	2	
5	F521-310005	TAIL LIGHT	1		16	F521-310016	FUSE	1	12V15A
6	F521-310006	BATTERY	1		17	F521-310017	HEAD LIGHT BULB	1	6V3W
7	F521-310007	IGNITION SWITCH	1		18	F521-310018	HEAD LIGHT BULB	1	12V35W
8	F521-310008	HEAD LIGHT	1		19	F521-310019	TAIL LIGHT BULB	2	12V 5W
9	F521-310009	RECTIFIER COMP. REGULATE	1		20	F521-310020	SEAL	1	
10	F521-310010	C D I	1		21	F521-310021	STRAP	1	

## Udskiftning af tændingskontakter



Start med at samle grå og gul ledning på maskinen.  
De er til lyset, som vil være tændt konstant når motoren er startet.

Monter kabelsko på ledningerne.  
Monter så ledningerne i stikholderen.  
Ledningsfarverne skal monteres som følger :

RØD til RØD LEDNING  
SORT til ORANGE LEDNING  
GRØN til GRØN LEDNING  
SORT/HVID til SORT/HVID

---

Start by connecting gray and yellow wire on the machine.  
They are for the lights, which will be turned on constant when the engine is started.

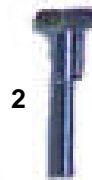
Mount cabelshoes on the wires.  
Mount the wires in the holder.  
The colours must be mounted as this :

RED to RED WIRE  
BLACK to ORANGE WIRE  
GREEN to GREEN WIRE  
BLACK/WHITE to BLACK/WHITE

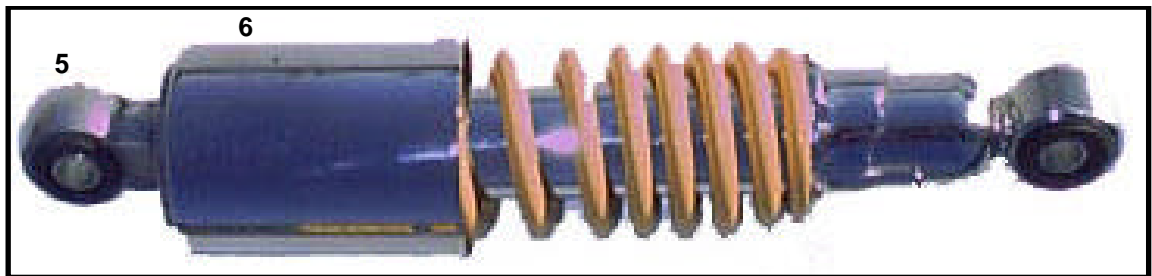


D-32

No.	Part No.	Description	Q'ty	Remarks	No.	Part No.	Description	Q'ty	Remarks
1	C78-360001	SPACER	2		13	20X7-8	TUBE INNER	2	ATV125
2	C78-360002	COVER BEARING	2		13	22X11-8	TUBE INNER	2	ATV150
3	C78-360003	REAR AXEL	1		14	F521-320014	BOLT	4	
4	C78-360004	SPACER	1		15	F521-320015	BRACKET	2	
5	C78-361000	ADJUSTER CHAIN	2		16	F521-320016	SPROCKET MOUNT	1	
6	F521-320006	SPROCKET	1		17	F521-320017	BEARING	3	6206 2RS
7	F521-240003	RIM	2		18	F521-320018	SPACER	2	
8	C88-080011	DUST COVER	2		19	C90-10009	CAM LEVER	1	
9	C88-360004	WASHER	2		20	C78-140001	CAM BRAKE	1	
10	GB91-Ø3X40	COTTER PIN	2		21	F521-320021	WASHER	1	
11	GB9458-M16	NUT	2		22	F521-320022	SPACER	1	
12	20X7.00-8	TIRE	2	ATV125	23	F521-320023	COVER BRAKE DRUM	1	
12	22X11.00-8	TIRE	2	ATV150	24	F521-320024	REAR BRAKE DRUM	1	
					25	F521-320025	HUB	2	



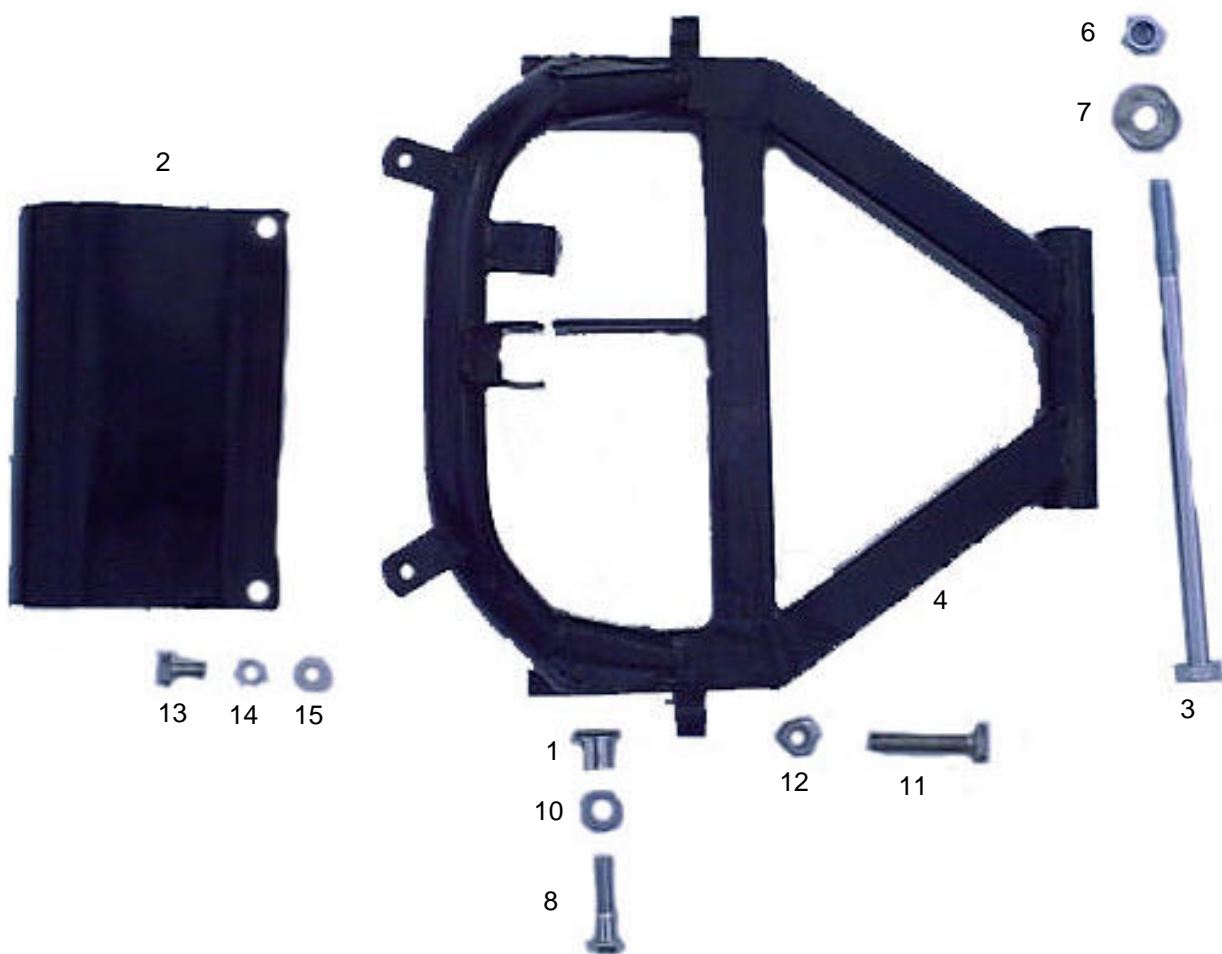
1



D-33

No.	Part No.	Description	Q'ty	Remarks	No.	Part No.	Description	Q'ty	Remarks
1	C78-370000	ABSORBER ASSY	3		4	F521-330004	LOCKNUT	6	10MM
2	GB5781-M10X40	BOLT	6	10X40	5	F521-330005	TOP	3	
3	GB97.1-10	WASHER	12	10MM	6	F521-330006	PROTECTION	3	



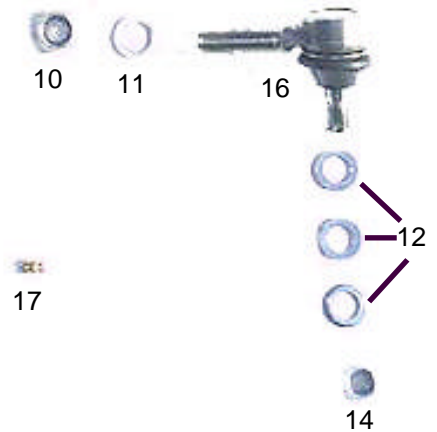
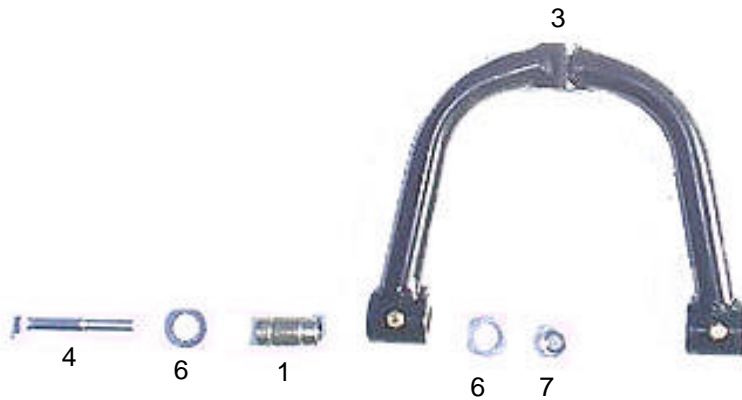
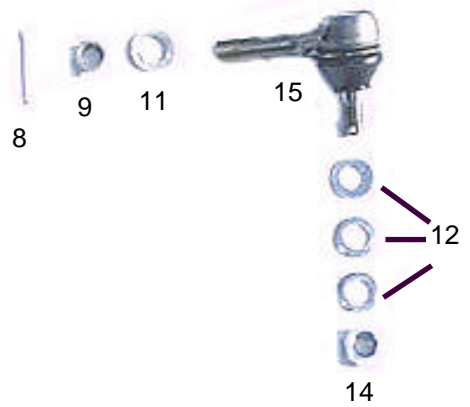
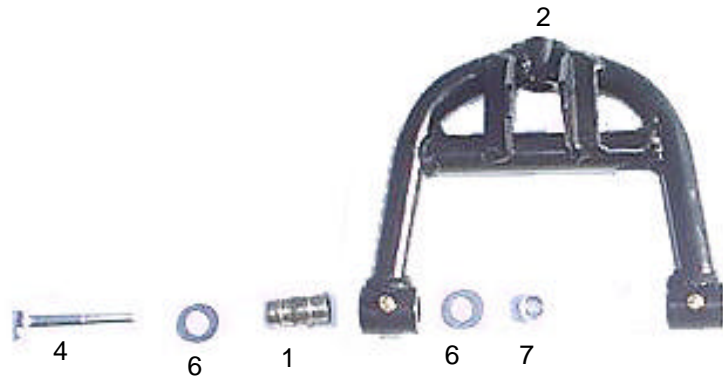


D-34

No.	Part No.	Description	Q'ty	Remarks	No.	Part No.	Description	Q'ty	Remarks
1	C78-390001	BUSH	2		10	GB97.1-10	WASHER	2	
2	C78-390002	CHAIN COVER	1		11	GB5781-M10X50	BOLT HEX.	2	
3	C78-090004	SHAFT REAR ARM SUSPENSION	1		12	GB6170-M10	NUT HEX	2	
4	GB78-391000	REAR ARM SUSPENSION COMP.	1		13	GB5781-M8X16	BOLT HEX.	2	
6	GB9458-M12	LOCKNUT	1		14	GB93-8	SPG. WASHER	2	
7	GB96-12	WASHER	2		15	GB97.1-8	WASHER	2	
8	GB5781-M10X40	BOLT HEX.	2						

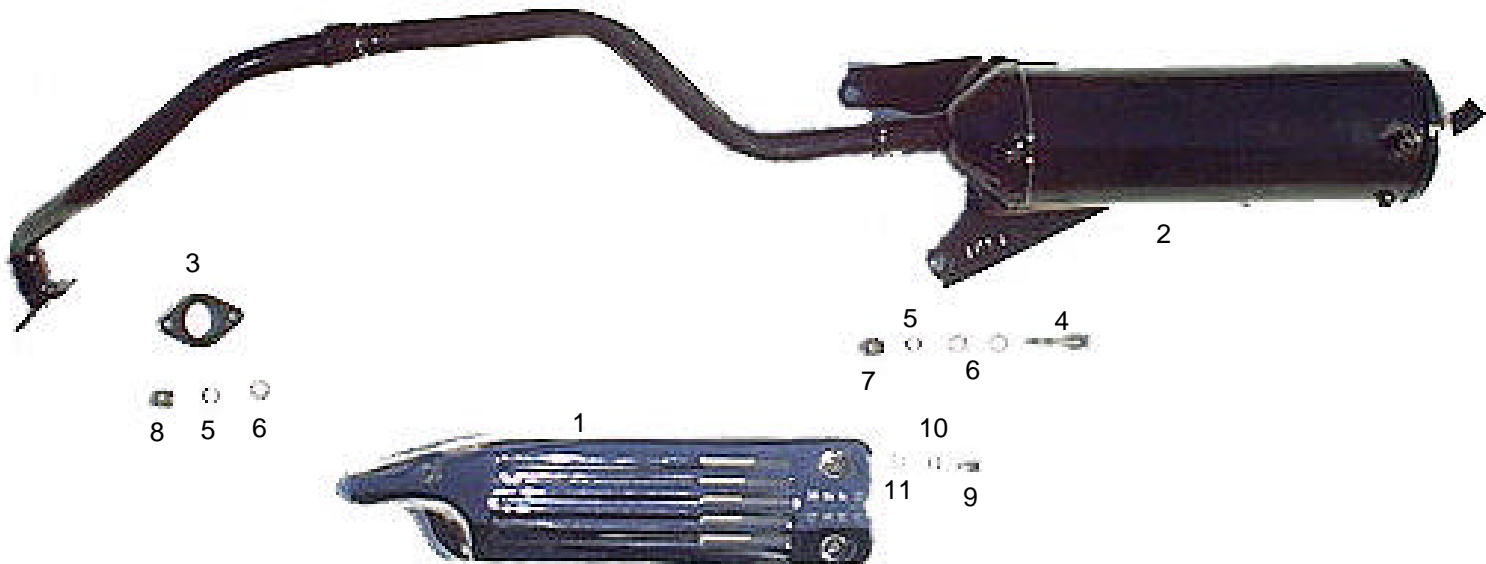


No.	Part,No	Description	Q'ty	Remarks	No.	Part,No	Description	Q'ty	Remarks
8	C90-40005	Lock nut	2	M8	12	C90-40003	Washer	1	
9	90102310	Washer	1	Ø8	13	F521-380003	Roller	1	
10	ATVF521-380006	Spring	1		14	90102310	Washer	1	
11	C90-40002	Arm	1						



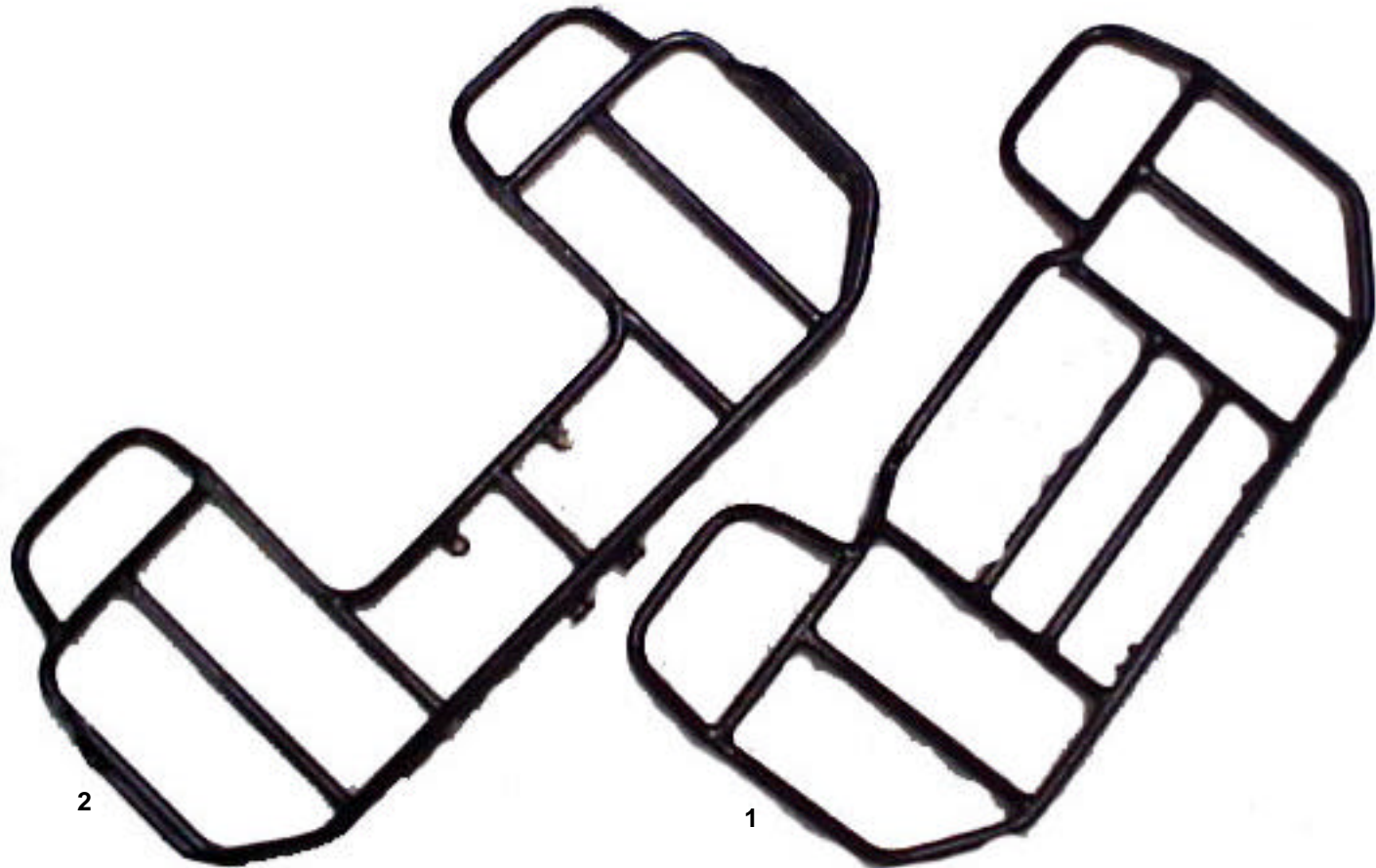
D-35

No.	Part No.	Description	Q'ty	Remarks	No.	Part No.	Description	Q'ty	Remarks
1	C78-400001	BUSH	8		10	F521-350010	LOCKNUT	2	
2	C78-401000	LOWER FR.ARM	2		11	GB97.1-14	WASHER	4	
3	C78-402000	UPPER FR.ARM	2		12	GB97.1-12	SPG. WASHER	12	
4	GB28-M10X60	BOLT HEX.	8		14	GB6170-M12	LOCKNUT	4	
6	GB97.1-10	WASHER	8		15	F521-350015	UNIVERSAL JOINT (LEFT SCREW)	2	
7	GB9457-M10	LOCKNUT	2		16	F521-350016	UNIVERSAL JOINT (RIGHT SCREW)	2	
8	GB91-Ø2X25	COTTER PIN	1		17	F521-350017	NIPPLE	8	
9	GB6170-M14	NUT (LEFT SCREW)	2						



D-36

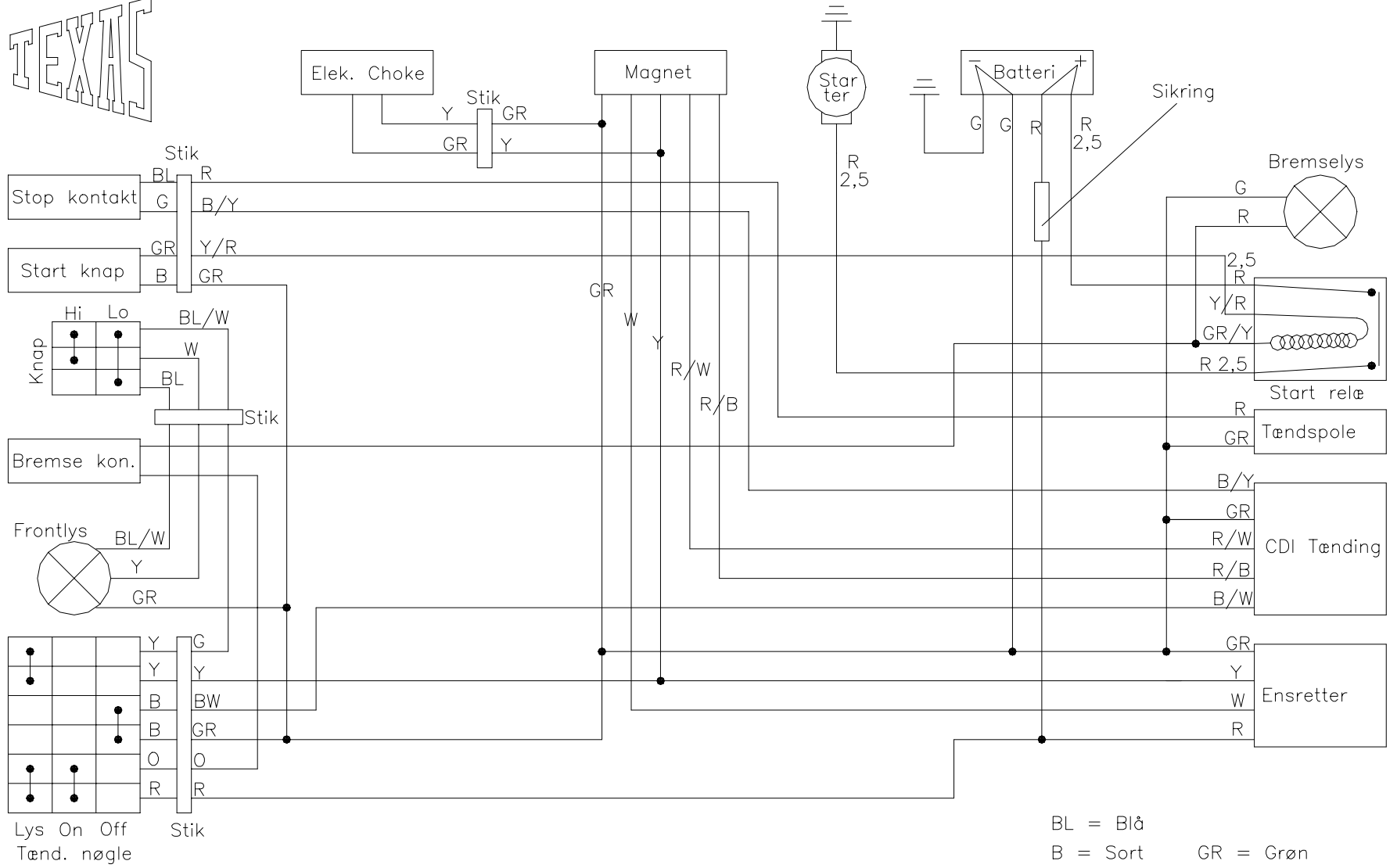
No.	Part No.	Description	Q'ty	Remarks	No.	Part No.	Description	Q'ty	Remarks
1	C78-790001	PROTECTING PLATE	1		7	GB6170-M8	NUT	2	
2	C78-791000	MUFFLER COMP.	1		8	GB6170-M6	NUT	2	
3	F521-360003	GASKET	1		9	GB5781-M6X8	SCREW	3	
4	GB5780-M8X35	BOLT HEX.	2		10	GB848-6	WASHER	3	
5	GB93-8	SPG. WASHER	2		11	F521-360011	LOCKWASHER	3	
6	GB97.1-8	WASHER	2						



D-37

No.	Part No.	Description	Q'ty	Remarks	No.	Part No.	Description	Q'ty	Remarks
1	F521-370001	FRONT CARRIER	1	150CC	2	F521-370002	BACK CARRIER	1	150CC

# TEXAS



Kredsløbs skema for TEXAS Off Roader model 125-4 & 150-4