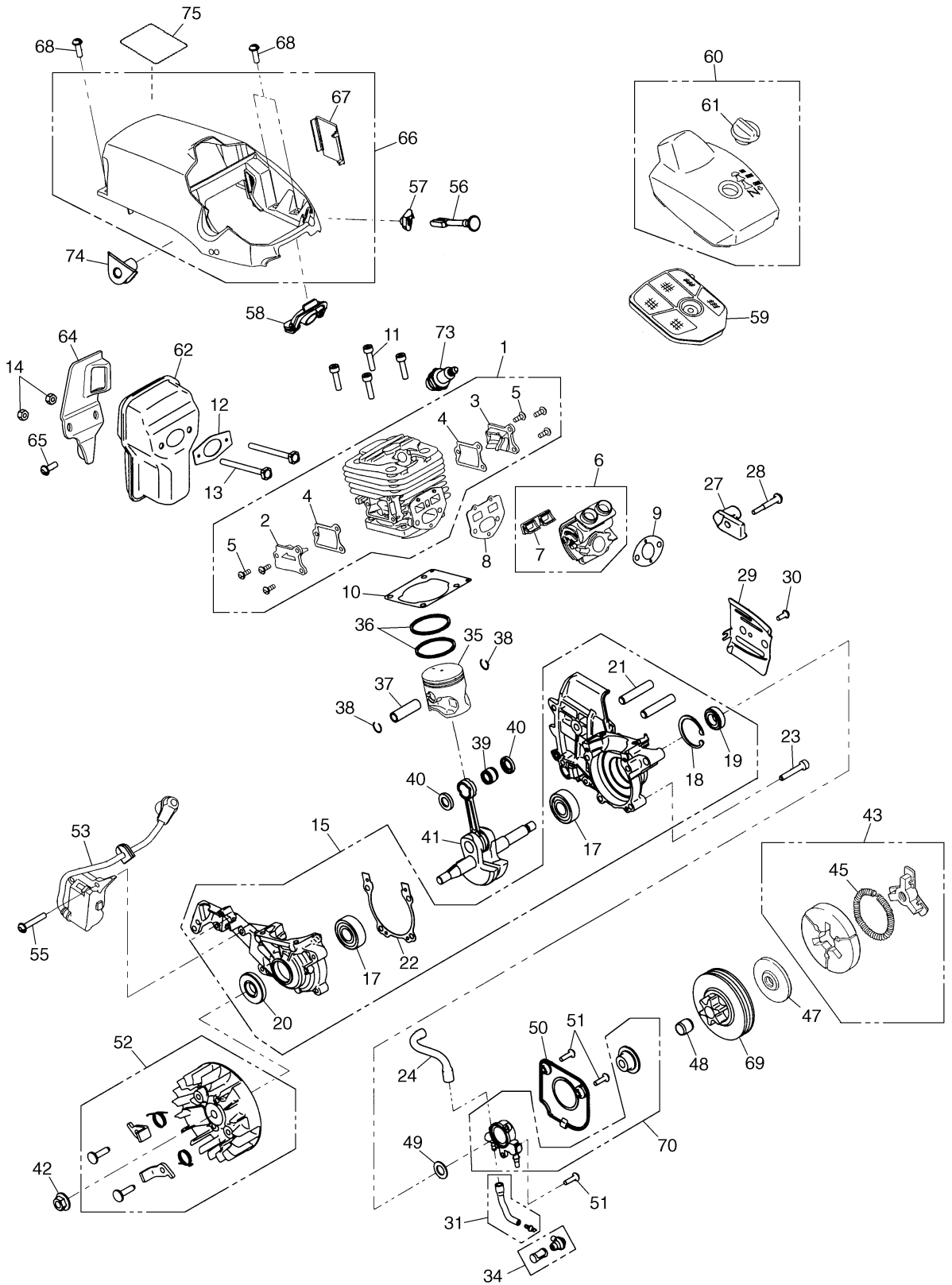


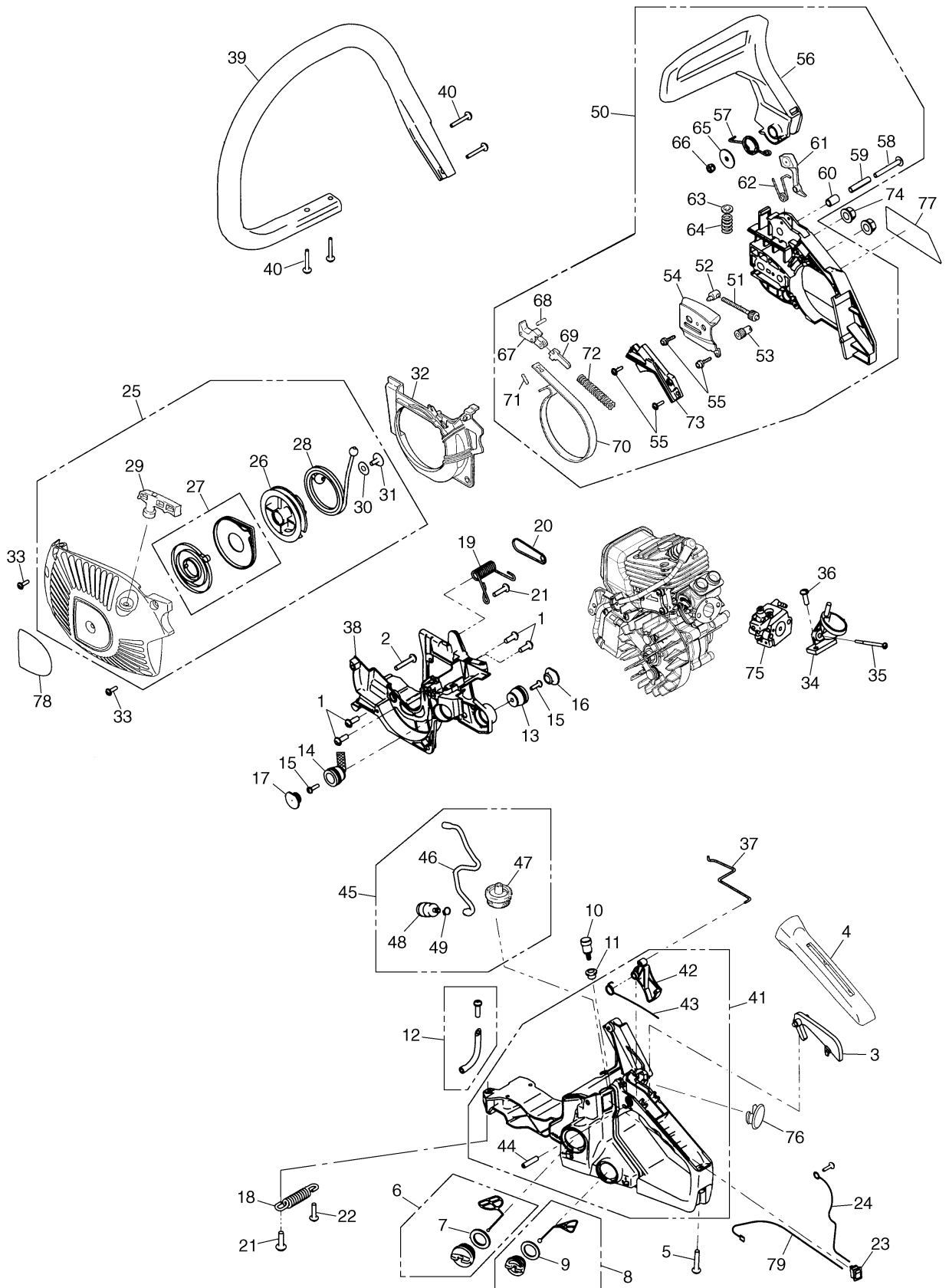
**Fig.1 POWER UNIT**



POS	QTY	PARTNUMBER	BESKRIVELSE	DESCRIPTION
1	1	410703	CYLINDER	CYLINDER ASSY
2	1	410704	DÆKSEL	COVER MAG
3	1	410705	DÆKSEL	COVERP TO
4	2	410706	PAKNING	GASKET
5	6	410707	SKRUE	SCREW
6	1	410708	ISOLATOR	INSULATOR
7	1	410709	PAKNING	SEAL
8	1	410710	PAKNING	GASKET
9	1	410711	PAKNING	GASKET
10	1	285014212	PAKNING	GASKET
11	4	482013180	BOLT	BOLT
12	1	410712	PAKNING	GASKET
13	2	410713	BOLT	BOLT
14	2	335615230	LÅSEMØTRIK	LOCKNUT
15	1	410714	KRUMTAPHUS	CASE ASSY
17	2	84889C3200	LEJE	BEARING
18	1	410715	SEEGERRING	SNAP RING
19	1	410716	PAKDÅSE	SEAL
20	1	410717	PAKDÅSE	SEAL
21	2	025050825	PINBOLT GUL	STUD
22	1	410718	PAKNING	GASKET
23	4	482021310	BOLT	BOLT
24	1	410719	SLANGE	PIPE OUT COMPLETE
27	1	410720	KÆDEFANG	CHAIN CATCHER
28	1	410721	SKRUE	SCREW
29	1	410722	PLADE	PLATE
30	1	410707	SKRUE	SCREW
31	1	410723	SLANGE	PIPE IN COMP
34	1	410724	FILTER	FILTER COMP
35	1	410725	STEMPEL	PISTON
36	2	266041211	STEMPELRING	PISTONRING
37	1	410726	KRYDSPIND	PIN
38	2	410727	LÅSERING	RING
39	1	410728	KUGLELEJE	BEARING
40	2	410729	SKIVE	WASHER
41	1	410730	KRUMTAP	SHAFT COMP
42	1	410731	SVINGHJULSMØTRIK	NUT
43	1	410732	KOBLING	CLUTCH ASSY
45	1	410733	FJEDER	SPRING
47	1	410734	PLADE	PLATE
48	1	410735	KUGLELEJE	BEARING
49	1	285055211	SKIVE	WASHER
50	1	410736	DÆKSEL	COVER
51	4	410737	SKRUE	SCREW
52	1	410738	SVINGHJUL MED PALER	ROTOR COMP
53	1	410739	TÆNDSPOLE	COIL ASSY
55	2	410737	SKRUE	SCREW
56	1	285082411	STANG FOR CHOKER	LEVER
57	1	410740	GEMMEMFØRING	GROMMET
58	1	410741	GEMMEMFØRING	GROMMET

POS	QTY	PARTNUMBER	BESKRIVELSE	DESCRIPTION
59	1	410742	LUFTFILTER	CLEANER ASSY
60	1	410743	DÆKSEL	COVER COMP.
61	1	410744	SKRUE	KNOB
62	1	410745	UDSTØDNING	MUFFLER
64	1	410746	HOLDER	STAY
65	1	410747	SKRUE	SCREW
66	1	410748	DÆKSEL	COVER COMP.
67	1	410749	DÆKSEL	CAP
68	4	410750	SKRUE	SCREW
69	1	285151111	KÆDEHJUL	CHAIN WHEEL
70	1	848CA26700	OLIEPUMPE	OIL PUMP
73	1	10011452	TÆNDRØR U24FSR-U	
74	1	410751	GENNEMFØRING	GROMMET
75	1	410752	LABEL	LABEL

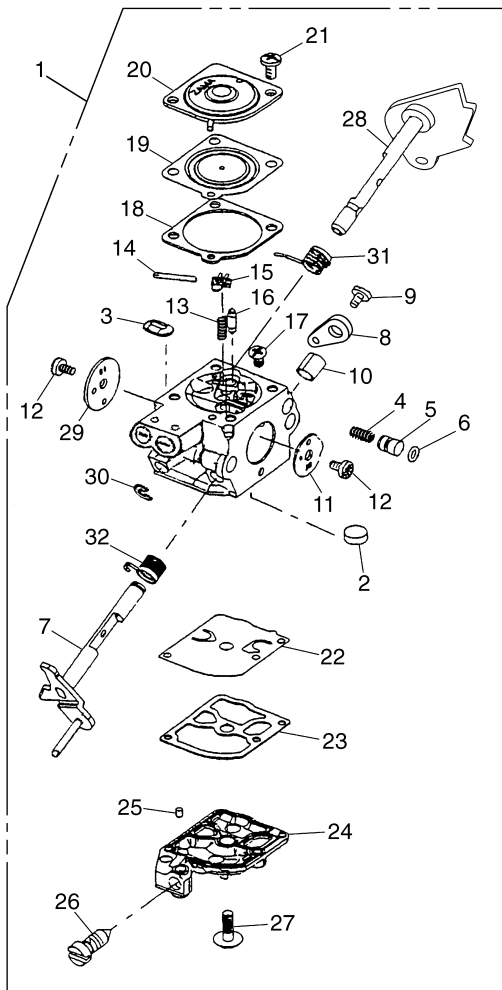
**Fig.2 POWER UNIT**



POS	QTY	PARTNUMBER	BESKRIVELSE	DESCRIPTION
1	4	410747	SKRUE	SCREW
2	1	410750	SKRUE	SCREW
3	1	335633350	ARM	LEVER
4	1	410753	DÆKSEL	COVER
5	1	410754	SKRUE	SCREW
6	1	410755	TANKLÅG	TANKCAP
7	1	410756	PAKNING	GASKET
8	1	410757	OILEPROP	CAP ASSY
9	1	410758	PAKNING	GASKET
10	1	410759	TIPPER	BREATHER ASSY
11	1	410760	GENNEMFØRING	GROMMET
12	1	410761	SLANGE	PIPE COMP.
13	1	267035110	OPHÆNG	DAMPER
14	1	410762	DÆMPER	DAMPER COMP.
15	2	8488251601	SKRUE	SCREW
16	1	410763	PROP	CAP
17	1	410764	PROP	CAP
18	1	410765	FJEDER	SPRING
19	1	410766	FJEDER	SPRING
20	1	410767	PLADE	PLATE
21	2	410768	SKRUE	SCREW
22	1	410747	SKRUE	SCREW
23	1	285074102	STOPKONTAKT	STOP SWITCH
24	1	410769	LEDNING	CORD
25	1	410770	REKYLSTARTER	STARTER ASSY
26	1	410771	SNORHJUL	REEL
27	1	285075301	STARTFJEDER	SPRING
28	1	410772	STARTSNOR	ROPE
29	1	333075421	STARTHÅNDTAG	HANDLE
30	1	410773	SKIVE	WASHER
31	1	410768	SKRUE	SCREW
32	1	410774	DÆKSEL	COVER
33	3	410750	SKRUE	SCREW
34	1	285082114	MANIFOLD	MANIFOLD
35	2	410775	BOLT	BOLT
36	1	410750	SKRUE	SCREW
37	1	410776	FORBINDER	ROD
38	1	410777	KRUMTAPHUS	CASE
39	1	410778	HÅNDTAG	HANDLE
40	4	410754	SKRUE	SCREW
41	1	410779	HÅNDTAG	HANDLE ASSY
42	1	410780	GASKONTROL	LEVER
43	1	410781	FJEDER	SPRING
44	1	410782	STIFT	SPRING PIN
45	1	410783	SLANGE	PIPE ASSY
46	1	410784	SLANGE	PIPE
47	1	285134320	GENNEMFØRING	
48	1	410785	FILTER	FILTER
49	1	410786		CLIP
50	1	410787	BREMSE	BRAKE ASSY

POS	QTY	PARTNUMBER	BESKRIVELSE	DESCRIPTION
51	1	410788	SKRUE	SCREW
52	1	267153220	BOLT	BOLT
53	1	410789	TANDHJUL	GEAR
54	1	410790	PLADE	PLATE
55	4	410791	SKRUE	SCREW
56	1	410792	KÆDEBREMSE	GUARD
57	1	410793	FJEDER	SPRING
58	1	410794	SKRUE	SCREW
59	1	410795	BØS	SPACER
60	1	410796	BØS	SPACER
61	1	410797	VÆGT	WEIGHT
62	1	410798	FJEDER	SPRING
63	1	410799	PLADE	PLATE
64	1	410800	FJEDER	SPRING
65	1	410801	SKIVE	WASHER
66	1	410802	MØTRIK	NUT
67	1	410803	ARM	LEVER COMP.
68	1	410804	STIFT	ROLLER
69	1	410805	FORBINDER	ARM
70	1	285154510	BÅND	BAND
71	1	410806	RULLE	ROLLER
72	1	410807	FJEDER	SPRING
73	1	410808	DÆKSEL	COVER
74	2	90180952	FLANGEMØTRIK	FLANGENUT M8
75	1	410809	KARBURATOR	CARBURETOR ASSY
76	1	410810	PROP	CAP
77	1	410811	LABEL	LABEL
78	1	410812	LABEL	LABEL
79	1	410813	LEDNING	CORD

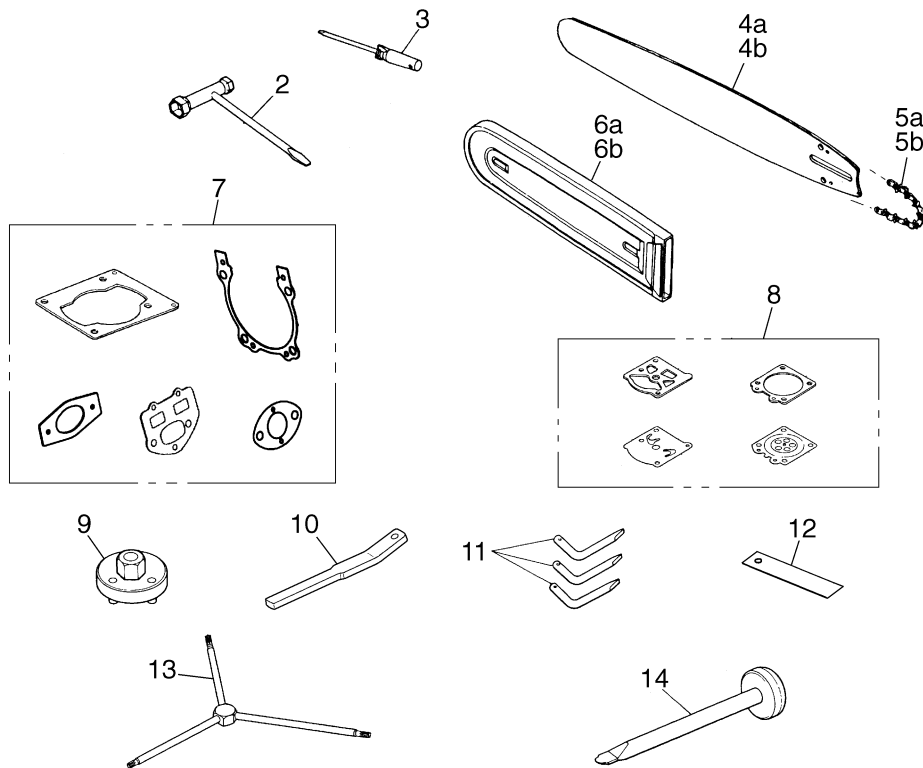
# Fig.3 CARBURETOR COMPONENTS



POS	QTY	PARTNUMBER	BESKRIVELSE	DESCRIPTION
1	1	410809	KARBURATOR	CARBURETOR ASSY
2	1	848C5081A0	PROP	PLUG
3	1	848C5081J0	PROP	PLUG
4	1	848C5080M0	FJEDER	SPRING
5	1	848C5080N0	PROP	PLUNGER
6	1	848C5080P0	O-RING	O-RING
7	1	410814	AKSEL	THROTTLE SHAFT
9	1	848C5080R0	SKRUE	SCREW
10	1	410816	KRAVE	COLLAR
11	1	410817	VENTIL	THROTTLE VALVE
12	2	848C5081W0	SKRUE	SCREW
13	1	410818	FJEDER	SPRING
14	1	848C5081E0	STIFT	PIN
15	1	848C5081F0	FJEDER	SPRING
16	1	848C5081B0	NÅLEVENTIL	NEEDLE VALVE
17	1	848C5081D0	SKRUE	SCREW
18	1	848C5081L0	PAKNING	GASKET
19	1	848C5081K0	MEMBRAM	DIAPHRAGM
20	1	848C5081G0	DÆKSEL FOR MEMBRAM	COVER
21	2	848C5080B0	SKRUE	SCREW
22	1	410819	MEMBRAM	DIAPHRAGM
23	1	848C5081N0	PAKNING	GASKET
24	1	848C5081H0	DÆKSEL	COVER
25	1	848C5081Y0	BØS	BUSH
26	1	410820	TOMGANGSSKRUE	IDLE SCREW
27	1	848C5081P0	SKRUE	SCREW
28	1	410821	AKSEL	CHOKE SHAFT
29	1	410822	SPJÆLD	CHOKE VALVE
30	1	410823	HESTESKOSIKRING	
31	1	410824	FJEDER	CHOKE SPRING
32	1	410825	FJEDER	THROTTLE SPRING
3	1	410826	OMBYGNINGSSÆT	MODIFICATION SET



# Fig.4 ACCESSORIES



POS	QTY	PARTNUMBER	BESKRIVELSE	DESCRIPTION
4a	1	410827	SVÆRD	SPROCKET NOSE BAR
5a	1	410828	KÆDE	CHAIN
6a	1	410829	SVÆRDBESKYTTER	ÚÜUVÒÔVUÜÄÖUÜÁË +ÁÓÖÛ
7	1	410830	PAKNINGSSÆT	GASKETKIT
8	1	410831	MEMBRAMSÆT	GASKETKIT
9	1	410832	KOBLING	WRENCH