

# PARTS LIST

## CHAIN SAWS

**G561AVS**  
**G621AVS**

---

APPLICABLE SERIAL NUMBERS:

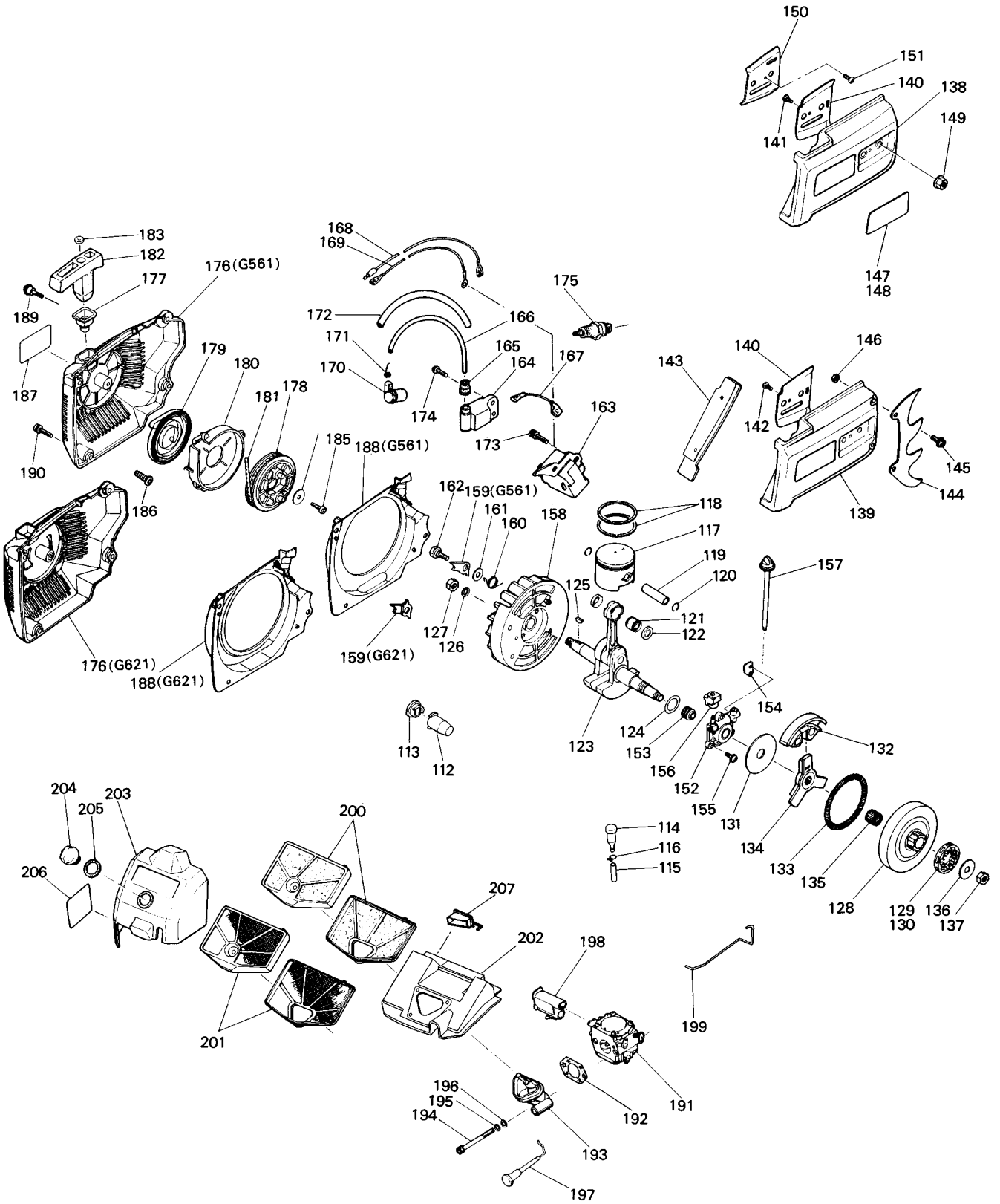
OCTOBER 1998

G561AVS — 814608 and up

G621AVS — 820954 and up



Fig.2



**Fig.1**

Key No.	Part Number		Description	Q'ty /Unit	Remarks
	G561	G621			
1 – 1	2616-12112	2618-12115	CYLINDER	1	K4
– 2	3356-12141		GROMMET	1	K4
– 3	2616-14111		GASKET, insulator	1	K1
– 4	2616-14120	2618-14120	INSULATOR	1	
– 5	2616-14131	2618-14131	GASKET, carburetor	1	K1
– 6	2616-14211		GASKET, cylinder base	1	K1, K4
– 7	3310-12281		BOLT	4	K4
	2610-15101		MUFFLLER ASSEMBLY	1	Incl. 8 & 9
– 8	2610-15111		MUFFLER	1	
– 9	3356-15123		STAY	1	
– 10	3356-15210		GASKET, muffler	1	K1
– 11	3356-15220		BOLT	2	
– 12	3356-15230		NUT	2	
	2616-21002		CRANKCASE ASSEMBLY	1	Incl. 13 thru 24
– 13	☆		CRANKCASE MAG	1	☆2616-21002 K4
– 14	☆		CRANKCASE PTO	1	☆2616-21002 K4
– 15	3356-21130		PIN	3	K4
– 16	04065-03515		SNAP RING	1	K4
– 17	2616-21250		RING	2	
– 18	06030-06202		BEARING	2	K4
– 19	3350-21210		OIL SEAL, MAG	1	K4
– 20	1400-21220		OIL SEAL, PTO	1	K4
– 21	2616-21230		STUD	2	K4
– 22	3350-21250		SPRING PIN	1	K4
– 23	3356-21270		PIN, brake arm	2	K4
– 24	3356-21311		GASKET, crankcase	1	K1, K4
– 25	3310-12281		BOLT	6	K4
	3356-23100		OIL PIPE COMPLETE	1	Incl. 26 thru 30
– 26	3356-23110		PIPE, oil	1	
– 27	07000-01008		O-RING	1	
– 28	3310-57312		PIPE	1	
– 29	3310-57412		WEIGHT	1	
– 30	3310-57511		CLIP	2	
– 31	3356-23211		PIPE, oil	1	
	3356-24101		BRAKE BAND COMPLETE	1	Incl. 32 thru 34
– 32	3356-24111		BAND, brake	1	
– 33	3356-24120		ARM, brake	1	
– 34	04025-00408		SPRING PIN	1	
– 35	3356-24140		ROLLER	1	
– 36	2622-24210		LEVER	1	
– 37	2622-24500		STOPPER, brake	1	
– 38					
– 39	2622-24600		SPRING, brake	1	
– 40	3356-24240		SPRING	1	
– 41	0308-00060		SNAP RING	2	
– 42	2622-24310		GUARD	1	
– 43	2616-24320		SCREW	1	
– 44	3356-24412		COVER, brake	1	
– 45	0263-60514		SCREW	2	
– 46	3350-25111		SCREW, chain adjust	1	
– 47	3350-25121		STOPPER, adjust screw	1	
– 48	3320-21191		NUT (A)	1	
– 49	01641-20508		WASHER	1	
– 50	2616-25210		CATCHER, chain	1	
– 51	2616-25230		SCREW	1	
– 52	3350-25310	2623-25310	SPIKE	1	
– 53	2616-25320		SCREW	2	
	3356-26100		CAP ASSEMBLY, oil tank	1	Incl. 54 thru 58
– 54	☆		CAP, oil tank	1	☆3356-26100
– 55	☆		CHAIN, cap	1	☆3356-26100
– 56	☆		STOPPER	1	☆3356-26100
– 57	☆		SCREW	1	☆3356-26100

# Fig.1

Key No.	Part Number		Description	Q'ty /Unit	Remarks
	G561	G621			
1 – 58	3317-57220		GASKET	1	
– 59	3330-23121		VALVE	1	
– 60	3350-26220		SEAL, breather	1	
– 61	3350-26230		CLIP	1	
	2626-31104		COVER COMPLETE, cylinder	1	Incl. 62 thru 65
– 62	2626-31110		COVER, cylinder	1	
– 64	3356-31120		CAP, cylinder cover	1	
– 65	3356-31152		GROMMET	1	
– 66	2626-31170   2627-31170		LABEL	1	
– 67	3356-31212		SEAL, cylinder cover	1	
– 68	0263-90514		SCREW	2	
– 69	0263-90520		SCREW	1	
– 70	2620-32100		FRONT HANDLE COMPLATE	1	
– 71	2671-32210		SCREW	4	
– 72	2851-32180		PLATE	2	
	2622-33005		REAR HANDLE ASSEMBLY	1	Incl. 73 thru 82
– 73	2622-33105		REAR HANDLE COMPLETE	1	
– 74	3350-33220		PLATE	1	
– 75	3330-33250		STOPPER	1	
– 76	3310-33262		SPRING	1	
– 77	3310-33271		KNOB	1	
– 78	2810-33280		DAMPER (A)	1	
– 79	3356-33311		LEVER, throttle	1	
– 80	3356-33321		SPRING, throttle	1	
– 81	04025-00524		SPRING PIN	1	
– 82	2616-33412		DAMPER (B)	1	
– 83	3356-34111		COVER, grip	1	
– 84	3356-33351		ARM	1	
– 85	3356-32210		SCREW	1	
– 86	3350-34210		LEVER, switch	1	
– 87	3356-34221		SPRING, switch	1	
– 88	2616-34230		SPRING PIN	1	
	3356-34301		FUEL PIPE ASSEMBLY	1	Incl. 89 thru 97
– 89	3356-34310		PIPE	1	
– 90	3356-34320		GROMMET	1	
– 91	1260-85460		CLIP	1	
	3302-85400		FILTER ASSEMBLY	1	Incl. 94 thru 97
– 92	☆		BODY	1	
– 93	3302-85420		SCREEN	2	
– 94	☆		RING	1	☆3302-85400
– 95	☆		SLEEVE	1	☆3302-85400
– 96	3306-85450		FILTER	2	
– 97	☆		CLIP	1	☆3302-85400
	3350-34400		CAP ASSEMBLY, fuel tank	1	Incl. 98 thru 102
– 98	☆		CAP, fuel tank	1	
– 99	☆		CHAIN, cap	1	☆3350-34400
–100	☆		STOPPER	1	☆3350-34400
–101	☆		SCREW	1	☆3350-34400
–102	3350-34450		GASKET	1	
–102-1	2634-31420		LABEL, CE	1	
–103	2616-35151		DAMPER, rear right	1	
–104	0262-10514		SCREW	2	
–105	3320-14140		WASHER	2	
–106	2616-35170		BOLT	2	
–107	2616-35132		DAMPER, rear left	1	
–108	2616-25320		SCREW	2	
–109	2616-35141		DAMPER, rear right bottom	1	
–110	1490-32120		SCREW	1	
–111	2616-35181		CAP	1	
–112	2616-35112		DAMPER, front	2	
–113	3356-35121		CAP	2	

**Fig.2**

Key No.	Part Number		Description	Q'ty /Unit	Remarks
	G561	G621			
2 – 112	2616-35112		DAMPER, front	2	
– 113	3356-35121		CAP	2	
	3350-34501		BREATHER ASSEMBLY	1	Incl. 114 thru 116
– 114	3317-86100		BREATHER	1	
– 115	3350-34540		PIPE	1	
– 116	1260-85460		CLIP	1	
– 117	2616-41112	2618-41112	PISTON	1	K4
– 118	2616-41210	2618-41210	RING, piston	2	K4
– 119	3360-41310	3366-41310	PIN, piston	1	K4
– 120	3350-41320		SNAP RING	2	K4
– 121	1400-41410		NEEDLE BEARING	1	K4
– 122	2616-41510		THRUST WASHER	2	K4
– 123	2616-42007		CRANKSHAFT COMPLETE	1	K4
– 124	1300-42410		SHIM	0~2	K4
– 125	1000-43240		KEY	1	
– 126	0290-21025		WASHER	1	
– 127	1300-43231		NUT	1	
– 128	3350-51110		DRUM, clutch	1	
– 129	3350-51121	3360-51120	RIM, sprocket	1	325Px7T   3/8Px7T
– 130	3350-98810		RIM, sprocket	1	OP 325Px8T
	2616-51202		CLUTCH ASSEMBLY	1	Incl. 131 thru 134
– 131	2616-51210		PLATE, clutch	1	
– 132	☆		SHOE, clutch	1	☆2616-51202
– 133	3350-51231		SPRING, clutch	1	
– 134	☆		BOSS, clutch	1	☆2616-51202
– 135	3320-41410		NEEDLE BEARING	1	
– 136	3350-51320		WASHER	1	
– 137	3310-43220		NUT	1	
	3356-53003		CHAIN COVER ASSEMBLY	1	Incl. 138 thru 141 K6
– 138	_____   2618-53002		CHAIN COVER ASSEMBLY	1	OP Incl. 139 thru 143
– 139	_____   ☆		CHAIN COVER	1	☆3356-53003
– 140	_____   ☆		CHAIN COVER	1	OP ☆2618-53002 K6
– 141	3356-53220		PLATE, outer	1	K6
– 142	0277-10410		SCREW	1	
– 143	_____   0261-00410		SCREW	1	OP K6
– 144	_____   2616-53300		PROTECTOR COMPLETE	1	OP K6
– 145	_____   2618-53510		SPIKE	1	OP K6
– 146	_____   2670-14320		SCREW	2	OP K6
– 147	_____   3310-53331		NUT	2	OP K6
– 148	2622-53121	2623-53121	LABEL	1	
– 149	3350-53410		NUT, chain cover	2	
– 150	3356-53210		PLATE, inner	1	
– 151	0261-00410		SCREW	1	
	3356-55102		OIL PUMP ASSEMBLY	1	Incl.152 & 153
– 152	3356-55112		BODY	1	
– 153	3356-55120		WORM	1	
– 154	3356-55310		GASKET, oil pump	1	
– 155	0263-90520		SCREW	3	
– 156	3356-55450		GROMMET, oil pump	1	
– 157	3356-55511		SHAFT, oil adjust	1	
	2616-71102	2618-71102	ROTOR COMPLETE	1	Incl. 158 thru 162
– 158	2616-71112		ROTOR	1	
– 159	3320-71120	3366-71120	RATCHET	2	
– 160	3350-71131		SPRING	2	
– 161	3388-71150		WASHER	2	
– 162	3310-71142		BOLT	2	
– 163	2616-71210		SOURCE COIL	1	

**Fig.2**

Key No.	Part Number		Description	Q'ty /Unit	Remarks
	G561	G621			
2 -164	2616-71301		IGNITION COIL COMPLETE	1	Incl. 164 thru 166
- 165	☆		COIL, ignition	1	☆2616-71301
- 166	2616-71320		CAP	1	
- 167	2616-71331		CORD, high tension	1	
- 168	2616-71410		CORD, primary	1	
- 169	2616-71420		CORD, switch	1	
- 170	2616-71430		CORD, earth	1	
- 171	2850-72110		CAP, spark plug	1	
- 172	1400-72121		SPRING, plug cap	1	
- 173	2850-71320		TUBE, high tension	1	
- 174	3350-15250		BOLT	2	
- 175	0263-30416		SCREW	2	
	1630-73110		SPARK PLUG	1	Champion RCJ-7Y
	2616-75004	2618-75004	STARTER ASSEMBLY	1	Incl. 176 thru 186
	2616-75104	2618-75103	STARTER CASE COMPLETE	1	Incl. 176 & 177
- 176	☆	☆	CASE, STARTER	1	☆2616-75104 / ☆2618-75103
- 177	2616-75120		GUIDE, rope	1	
- 178	3350-75213		REEL	1	
	3356-75302		SPIRAL SPRING COMPLETE	1	Incl. 179 & 180
- 179	☆		SPRING, spiral	1	☆3356-75302
- 180	☆		HOLDER, spring	1	☆3356-75302
- 181	3356-75410		ROPE	1	
- 182	3350-75420		KNOB, starter	1	
- 183	3310-75431		WASHER	1	
- 184	3320-75350		WASHER	1	
- 185	1490-32120		SCREW	1	
- 186	2630-82550		SCREW	2	
- 187	2622-75131	2623-75131	LABEL	1	
- 188	3356-75612	3366-75612	COVER, fan	1	
- 189	2616-75710		SCREW	1	
- 190	2616-75720		SCREW	3	
- 191	2626-81000	2627-81001	CARBURETOR ASSEMBLY	1	Ref. Fig.3
- 192	2618-14131		GASKET, carburetor	1	K1
- 193	3356-82114		MANIFOLD	1	
- 194	3356-82210		BOLT	2	
- 195	01601-20513		WASHER	2	
- 196	01641-20508		WASHER	2	
- 197	2616-82310		ROD, choke	1	
- 198	3356-82321		GUIDE, adjuster	1	
- 199	2616-82410		ROD, throttle	1	
- 200	3356-83104		AIR CLEANER COMPLETE	1	Felt type
- 201	3356-98200		AIR CLEANER COMPLETE	1	OP Nylon net type
- 202	2627-83201		SILENCER COMPLETE	1	
	2622-83302		CLEANER COVER COMPLETE	1	Incl. 203 thru 205
- 203	☆		COVER, air cleaner	1	☆2622-83302
- 204	3356-83322		KNOB	1	
- 205	3388-83340		GASKET, knob	1	
- 206	2626-83350	2611-83350	LABEL	1	
- 207	2610-83220		CAP, silencer	1	

Fig.3

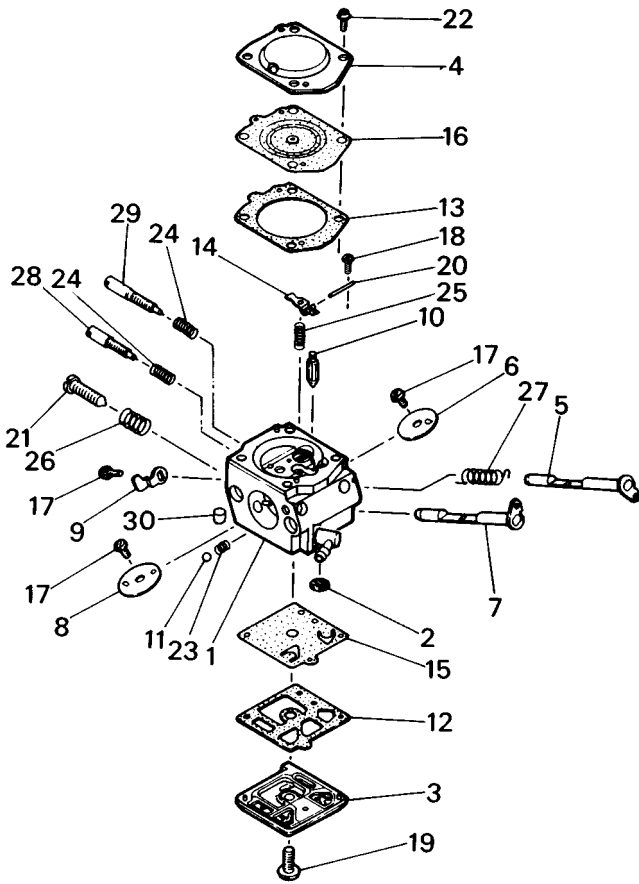


Fig.4

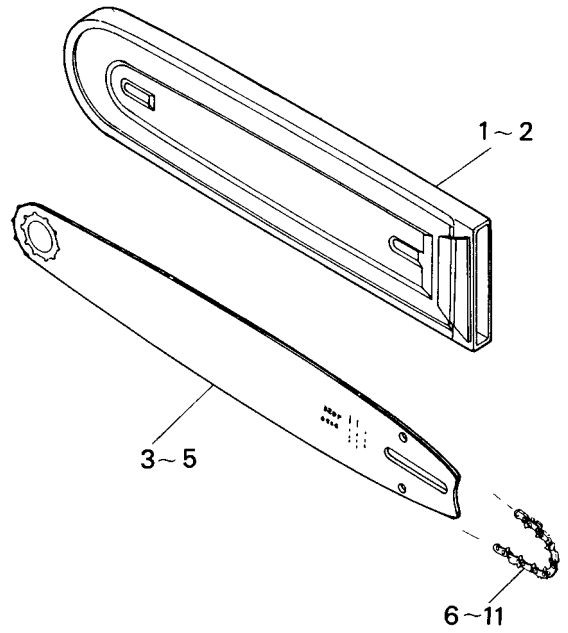


Fig.5

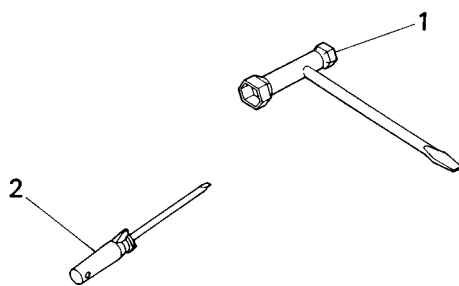
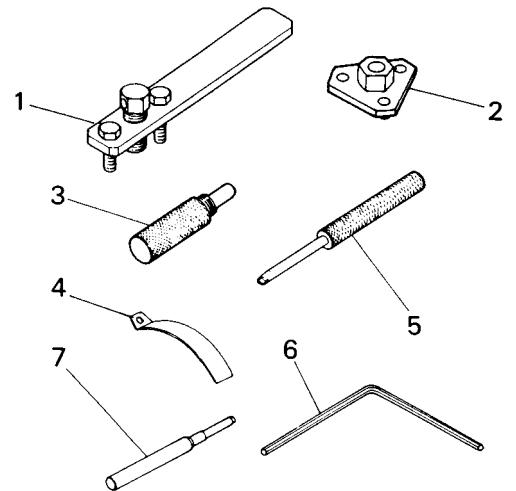


Fig.6





**Fig.3 Fig.4 Fig.5**

Key No.	Part Number		Description	Q'ty /Unit	Remarks	
	G561	G621				
3 – 1	2626-81000 ☆	2627-81001 ☆	CARBURETOR ASSEMBLY	1	HDA-42B	HDA-92
– 2			BODY ASSEMBLY	1	☆2616-81002	2618-81005
– 3	3306-81380		SCREEN, inlet	1		
– 4	3350-81130		COVER, pump	1		
– 5	3350-81140		COVER, diaphragm	1		
– 6	3388-81150	3366-81151	SHAFT ASSEMBLY, throttle	1		
– 7	3356-81340	3366-81340	VALVE, throttle	1		
– 8	3356-81171		SHAFT ASSEMBLY, choke	1		
– 9	2616-81180		VALVE, choke	1		
– 10	3350-81190		STOP, throttle	1		
– 11	3356-81310		VALVE, inlet	1		
– 12	3350-81220		BALL, friction	1		
– 13	3350-81230		GASKET, pump	1	K2	
– 14	3350-81240		GASKET, diaphragm	1	K2	
– 15	3350-81250		LEVER, metering	1		
– 16	3350-81260		DIAPHRAGM, pump	1	K3	
– 17	3350-81270		DIAPHRAGM ASSEMBLY	1	K3	
– 18	3310-81360		SCREW, valve	3		
– 19	3310-81240		SCREW, metering lever	1		
– 20	3310-81130	1491-81130	SCREW, pump cover	1		
– 21	3310-81250		PIN, metering lever	1		
– 22	2630-81330	2670-81430	SCREW, idle speed	1		
– 23	3310-81351		SCREW ASSEMBLY	4		
– 24	3350-81350		SPRING, friction	1		
– 25	1491-81161		SPRING, needle adjust	2		
– 26	3350-81370		SPRING, metering lever	1		
– 27	3350-81380		SPRING, idle speed	1		
– 28	3350-81391		SPRING, throttle return	1		
– 29	3366-81410	2618-81410	NEEDLE, high speed	1		
– 30	2610-81420		NEEDLE, idle	1		
	3356-81430		PLUG, friction	1		
4 – 1	3356-97110		PROTECTOR, guide bar	1	OP for 16"~18" bar	
– 2	3665-97110		PROTECTOR, guide bar	1	OP for 20"~24" bar	
– 3	3663-52113	3670-52112	BAR 16", sprocket nose	1	OP 325P	3/8P
– 4	3664-52113	3673-52113	BAR 18", sprocket nose	1	OP 325P	3/8P
– 5	3665-52112	3674-52113	BAR 20", sprocket nose	1	OP 325P	3/8P
– 6	_____	3670-52220	CHAIN, for 16" bar	1	OP 73LG-60E	
– 7	_____	3673-52220	CHAIN, for 18" bar	1	OP 73LG-66E	
– 8	_____	3674-52220	CHAIN, for 20" bar	1	OP 73LG-72E	
– 9	3663-52210	_____	CHAIN, for 16" bar	1	OP 21BP-68E	
– 10	3664-52210	_____	CHAIN, for 18" bar	1	OP 21BP-74E	
– 11	3665-52210	_____	CHAIN, for 20" bar	1	OP 21BP-81E	
5 – 1	3320-91140		PLUG WRENCH	1		
– 2	2670-91150		SCREWDRIVER	1		

**Fig.6**

Key No.	Part Number		Description	Q'ty /Unit	Remarks
	G561	G621			
6 – 1 – 2 – 3 – 4 – 5 – 6 – 7	2616-96000		SPECIAL TOOL KIT	1	OP Incl. 1 thru 7
	2890-96100		PULLER ASSEMBLY. rotor	1	OP
	2616-96210		WRENCH, clutch	1	OP
	3350-96220		STOPPER, piston	1	OP
	3350-96240		GAUGE, air gap	1	OP
	3350-96510		GUIDE, brake spring	1	OP
	3330-97210		WRENCH	1	OP
3356-96230		GUIDE, piston pin	1	OP	
K1	2616-06010	2618-06010	GASKET KIT	1	OP for ENGINE
K2	3350-06020		GASKET KIT	1	OP for CARBURETOR
K3	3350-06030		DIAPHRAGM KIT	1	OP for CARBURETOR
K4	2622-06053	2623-06054	SHORT BLOCK	1	OP
K6	—————	2623-06012	DOUBLE SPIKE KIT	1	OP