



# SERVICE PARTS LIST

## CHAIN SAW

MODELS:

G561 AV

G561 AVS

G561 AVSH

G621 AV

G621 AVS

G621 AVSH

2622	2623	2624	2625	2668	2678
------	------	------	------	------	------

- Remarks**
- ☆ This part shall be supplied not alone but as an assembled part of which number is given after this mark.
  - This part may be replaced with another part of which number is given after this mark for supply.
  - This part is not provided with standard machine but shall be supplied upon separate order.
  - K-O This part is a member of a kit of which number is described in the latter section.

Fig. A(1)

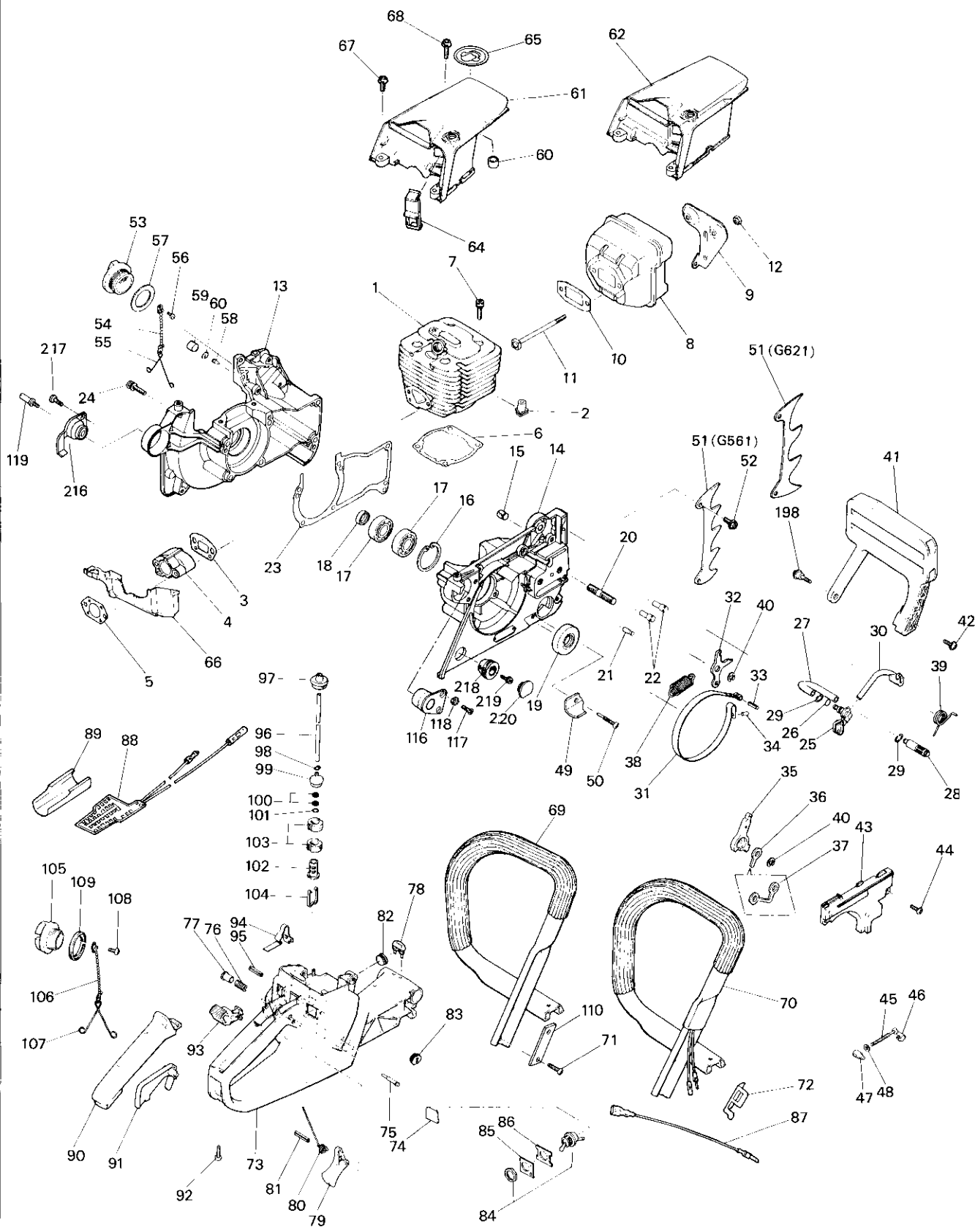
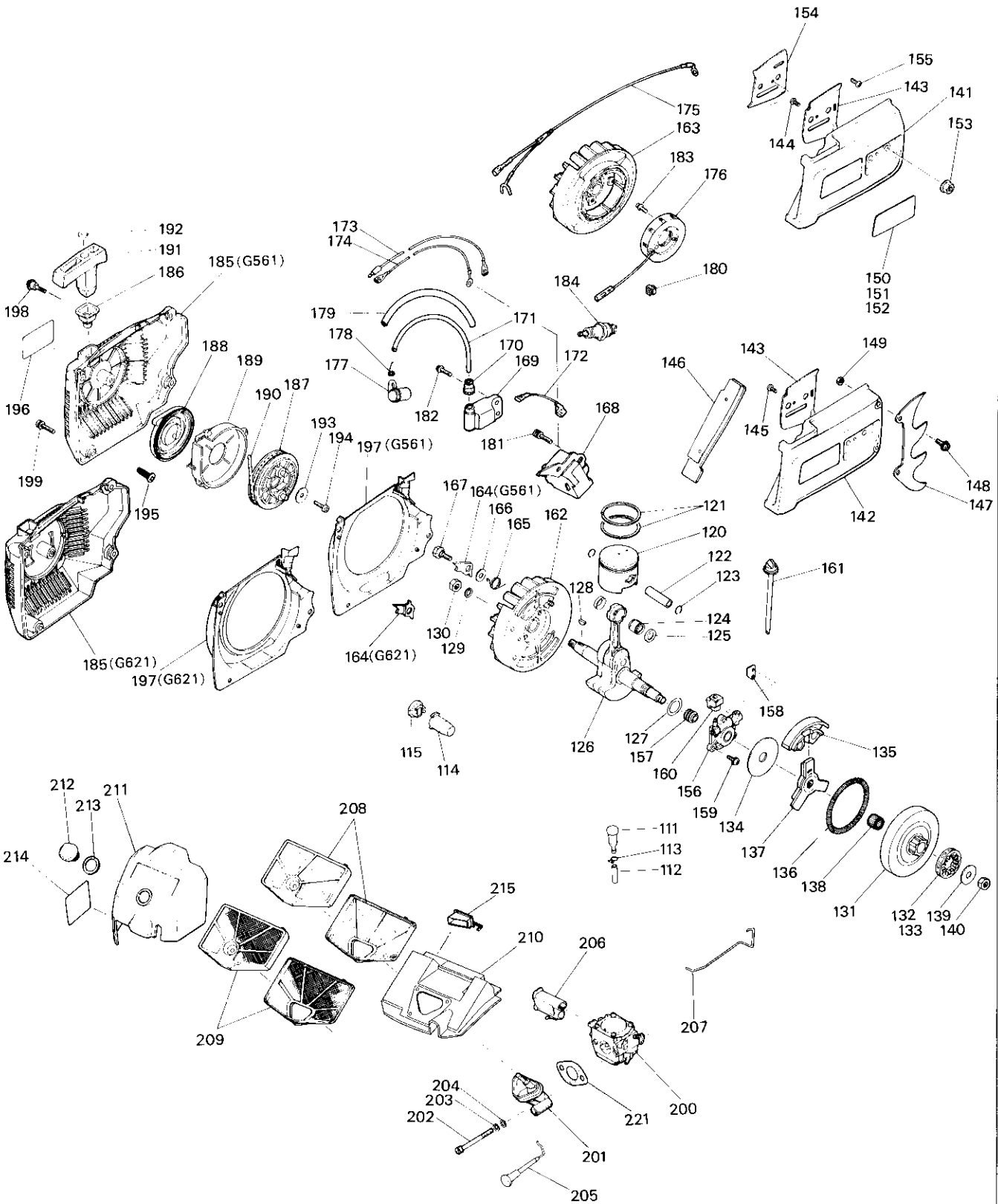


Fig. A(2)



Key No.	Part Number		Description	Q'ty /Unit	Remarks
	G 5 6 1	G 6 2 1			
A- 1	2616-12112	2618-12115	CYLINDER	1	K4
- 2	3356-12141		GROMMET	1	K4
- 3	2616-14110		GASKET, insulator	1	K1
- 4	2616-14120	2618-14120	INSULATOR	1	
- 5	2616-14130	2618-14130	GASKET, carburetor	1	K1
- 6	2616-14210		GASKET, cylinder base	1	K1, K4
- 7	3310-12280		BOLT	4	K4
	3356-15103		MUFFLER ASSEMBLY	1	Incl. 8 & 9
- 8	3356-15110		MUFFLER	1	
- 9	3356-15123		STAY	1	
-10	3356-15210		GASKET, muffler	1	K1
-11	3356-15220		BOLT	2	
-12	3356-15230		NUT	2	
	2616-21000		CRANKCASE ASSEMBLY	1	Incl. 13 thru 23
-13	☆		CRANKCASE MAG	1	☆2616-21000 K4
-14	☆		CRANKCASE PTO	1	☆2616-21000 K4
-15	3356-21130		PIN	3	K4
-16	04065-03515		SNAP RING	1	K4
-17	2616-21240		BEARING	2	K4
-18	3350-21210		OIL SEAL, MAG	1	K4
-19	1400-21220		OIL SEAL, PTO	1	K4
-20	2616-21230		STUD	2	K4
-21	3350-21250		SPRING PIN	1	K4
-22	3356-21270		PIN, brake arm	2	K4
-23	3356-21310		GASKET, crankcase	1	K1, K4
-24	3310-12280		BOLT	6	K4
	3356-23100		OIL PIPE COMPLETE	1	Incl. 25 thru 29
-25	3356-23110		PIPE, oil	1	
-26	07000-01008		O-RING	1	
-27	3310-57312		PIPE	1	
-28	3310-57412		WEIGHT	1	
-29	3310-57511		CLIP	2	
-30	3356-23211		PIPE, oil	1	
	3356-24101		BRAKE BAND COMPLETE	1	Incl. 31 thru 33 for AVS & AVSH
-31	3356-24111		BAND, brake	1	for AVS & AVSH
-32	3356-24120		ARM, brake	1	for AVS & AVSH
-33	04025-00408		SPRING PIN	1	for AVS & AVSH
-34	3356-24140		ROLLER	1	for AVS & AVSH
-35	3356-24210		LEVER	1	
-36	3356-24220		STOPPER, brake	1	for AVS & AVSH
-37	3357-24220		STOPPER	1	for AV
-38	3356-24230		SPRING, brake	1	for AVS & AVSH
-39	3356-24240		SPRING	1	
-40	0308-00060		SNAP RING	1	for AV
-41	3356-24313		GUARD	2	for AVS & AVSH
-42	2616-24320		SCREW	1	
-43	3356-24411		COVER, brake	1	
-44	0263-60514		SCREW	2	
-45	3350-25111		SCREW, chain adjust	1	
-46	3350-25121		STOPPER, adjust screw	1	
-47	3320-21191		NUT (A)	1	
-48	01641-20508		WASHER	1	
-49	2616-25210		CATCHER, chain	1	
-50	2616-25230		SCREW	1	
-51	3350-25310	2623-25310	SPIKE	1	
-52	2616-25320		SCREW	2	
	3356-26100		CAP ASSEMBLY, oil tank	1	Incl. 53 thru 57
-53	☆		CAP, oil tank	1	☆3356-26100
-54	☆		CHAIN, cap	1	☆3356-26100
-55	☆		STOPPER	1	☆3356-26100
-56	☆		SCREW	1	☆3356-26100

Key No.	Part Number		Description	Q'ty /Unit	Remarks
	G 5 6 1	G 6 2 1			
A- 57		3317-57220	GASKET	1	
- 58		3330-23121	VALVE	1	
- 59		3350-26220	SEAL, breather	1	
- 60		3350-26230	CLIP	1	
		2616-31102	COVER COMPLETE, cylinder	1	Incl. 61 thru 64
- 61		3356-31116	COVER, cylinder	1	
- 62		2616-98311	COVER, cylinder	1	OP K6
- 63		3356-31120	CAP, cylinder cover	1	K6
- 64		3356-31152	GROMMET	1	K6
- 65		3356-31160	LABEL	1	
- 66		3356-31212	SEAL, cylinder cover	1	
- 67		0263-90514	SCREW	2	
- 68		0263-90520	SCREW	1	
- 69		2620-32100	FRONT HANDLE COMPLETE	1	for AV & AVS
- 70		2614-32101	FRONT HANDLE COMPLETE	1	for AVSH K5
- 71		2671-32210	SCREW	4	
- 72		2614-32220	CLAMP, cord	1	for AVSH K5
		2622-33003	REAR HANDLE ASSEMBLY	1	Incl. 73 thru 82
- 73		2622-33103	REAR HANDLE COMPLETE	1	
- 74		3350-33220	PLATE	1	for AV & AVS
- 75		3330-33250	STOPPER	1	
- 76		3310-33262	SPRING	1	
- 77		3310-33271	KNOB	1	
- 78		3356-33281	DAMPER (A)	1	
- 79		3356-33311	LEVER, throttle	1	
- 80		3356-33321	SPRING, throttle	1	
- 81		04025-00524	SPRING PIN	1	
- 82		2616-33411	DAMPER (B)	1	
- 83		3350-34651	GROMMET	1	for AVSH K5
- 84		3354-34810	SWITCH ASSEMBLY	1	for AVSH K5
- 85		3354-34830	PLATE, switch	1	for AVSH K5
- 86		3354-34840	BACK PLATE	1	for AVSH K5
- 87		2614-34851	CORD, heater	1	for AVSH K5
- 88		2614-34911	REAR HEATER	1	for AVSH K5
- 89		2614-34920	PLATE	1	for AVSH K5
- 90		3356-34111	COVER, grip	1	
- 91		3356-33350	ARM	1	
- 92		3356-32210	SCREW	1	
- 93		3350-34210	LEVER, switch	1	
- 94		3356-34221	SPRING, switch	1	
- 95		2616-34230	SPRING PIN	1	
		3356-34301	FUEL PIPE ASSEMBLY	1	Incl. 96 thru 104
- 96		3356-34310	PIPE	1	
- 97		3356-34320	GROMMET	1	
- 98		1260-85460	CLIP	1	
		3302-85400	FILTER ASSEMBLY	1	Incl. 99 thru 104
- 99		☆	BODY	1	☆3302-85400
-100		3302-85420	SCREEN	2	
-101		☆	RING	1	☆3302-85400
-102		☆	SLEEVE	1	☆3302-85400
-103		3306-85450	FILTER	2	
-104		☆	CLIP	1	☆3302-85400
		3350-34400	CAP ASSEMBLY, fuel tank	1	Incl. 105 thru 109
-105		☆	CAP, fuel tank	1	☆3350-34400
-106		☆	CHAIN, cap	1	☆3350-34400
-107		☆	STOPPER	1	☆3350-34400
-108		☆	SCREW	1	☆3350-34400

Key No.	Part Number		Description	Q'ty /Unit	Remarks
	G 5 6 1	G 6 2 1			
A-109	3350-34450		GASKET	1	
-110	2851-32180		PLATE	2	
	3350-34501		BREATHER ASSEMBLY	1	Incl. 111 thru 113
-111	3317-86100		BREATHER	1	
-112	3350-34540		PIPE	1	
-113	1260-85460		CLIP	1	
-114	2616-35111		DAMPER, front	2	
-115	3356-35120		CAP	2	
-116	2616-35151		DAMPER, rear right	1	
-117	0262-10514		SCREW	2	
-118	3320-14140		WASHER	2	
-119	2616-35170		BOLT	2	
-120	2616-41111	2618-41112	PISTON	1	K4
-121	2616-41210	2618-41210	RING, piston	2	K4
-122	3360-41310	3366-41310	PIN, piston	1	K4
-123	3350-41320		SNAP RING	2	K4
-124	1400-41410		NEEDLE BEARING	1	K4
-125	2616-41510		THRUST WASHER	2	K4
-126	2616-42007		CRANKSHAFT COMPLETE	1	K4
-127	1300-42410		SHIM	0~2	K4
-128	1000-43240		KEY	1	
-129	0290-21025		WASHER	1	
-130	1300-43231		NUT	1	
-131	3350-51110		DRUM, clutch	1	
-132	3350-51121	3360-51120	RIM, sprocket	1	325P X 7T   3/8P X 7T
-133	3350-98810		RIM, sprocket	1	OP 325P X 8T
	2616-51202		CLUTCH ASSEMBLY	1	Incl. 134 thru 137
-134	2616-51210		PLATE, clutch	1	
-135	☆		SHOE, clutch	3	☆2616-51202
-136	3350-51231		SPRING, clutch	1	
-137	☆		BOSS, clutch	1	☆2616-51202
-138	3320-41410		NEEDLE BEARING	1	
-139	3350-51320		WASHER	1	
-140	3310-43220		NUT	1	
	3356-53002		CHAIN COVER ASSEMBLY	1	Incl. 141 thru 144
	☆	2618-53001	CHAIN COVER ASSEMBLY	1	OP Incl. 142 thru 146
-141	☆		CHAIN COVER	1	☆3356-53002
-142	☆	☆	CHAIN COVER	1	OP ☆2618-53001 K7
-143	3356-53220		PLATE, outer	1	K7
-144	0277-10410		SCREW	1	
-145	0261-00410		SCREW	1	OP K7
-146	2616-53300		PROTECTOR COMPLETE	1	OP K7
-147	2618-53510		SPIKE	1	OP K7
-148	2670-14320		SCREW	2	OP K7
-149	3310-53331		NUT	2	OP K7
-150	2624-53120	2625-53120	LABEL	1	for AV
-151	2622-53120	2623-53120	LABEL	1	for AVS
-152	2668-53120	2678-53120	LABEL	1	for AVSH
-153	3350-53410		NUT, chain cover	2	
-154	3356-53210		PLATE, inner	1	
-155	0261-00410		SCREW	1	
	3356-55102		OIL PUMP ASSEMBLY	1	Incl. 156 & 157
-156	3356-55112		BODY	1	
-157	3356-55120		WORM	1	
-158	3356-55310		GASKET, oil pump	1	
-159	0263-90520		SCREW	3	
-160	3356-55450		GROMMET, oil pump	1	
-161	3356-55511		SHAFT, oil adjust	1	
	2616-71102	2618-71102	ROTOR COMPLETE	1	for AV & AVS Incl. 162 thru 167
	2617-71102	2619-71101	ROTOR COMPLETE	1	for AVSH Incl. 163 thru 167
-162	2616-71112		ROTOR	1	for AV & AVS
-163	2617-71112		ROTOR	1	for AVSH K5

Key No.	Part Number		Description	Q'ty /Unit	Remarks
	G 5 6 1	G 6 2 1			
A-164	3320-71120	3366-71120	RATCHET	2	
-165	3350-71131		SPRING	2	
-166	3388-71150		WASHER	2	
-167	3310-71142		BOLT	2	
-168	2616-71210		SOURCE COIL	1	
	2616-71301		IGNITION COIL COMPLETE	1	Incl. 169 thru 171
-169	☆		COIL, ignition	1	☆2616-71301
-170	2616-71320		GROMMET	1	
-171	2616-71331		CORD, high tension	1	
-172	2616-71410		CORD, primary	1	
-173	2616-71420		CORD, switch	1	
-174	2616-71430		CORD, earth	1	for AV & AVS
-175	2617-71430		CORD, earth	1	for AVSH K5
-176	2614-71411		COIL, heater	1	for AVSH K5
-177	3350-71220		CAP, spark plug	1	
-178	1400-72121		SPRING, plug cap	1	
-179	2616-71511		TUBE, high tension	1	
-180	2614-71610		GROMMET	1	for AVSH K5
-181	3350-15250		BOLT	2	
-182	0263-30416		SCREW	2	
-183	0263-10414		SCREW	3	for AVSH K5
-184	3356-73110		SPARK PLUG	1	Champion CJ-7Y
	2616-75002	2618-75002	STARTER ASSEMBLY	1	Incl. 185 thru 195
	2616-75102	2618-75101	STARTER CASE COMPLETE	1	Incl. 185 & 186
-185	☆	☆	CASE, STARTER	1	☆2616-75102/☆2618-75101
-186	2616-75120		GUIDE, rope	1	
-187	3350-75213		REEL	1	
	3356-75302		SPIRAL SPRING COMPLETE	1	Incl. 188 & 189
-188	☆		SPRING, spiral	1	☆3356-75302
-189	☆		HOLDER, spring	1	☆3356-75302
-190	3356-75410		ROPE	1	
-191	3350-75420		KNOB, starter	1	
-192	3310-75431		WASHER	1	
-193	3320-75350		WASHER	1	
-194	1490-32120		SCREW	1	
-195	2630-82550		SCREW	2	
-196	2622-75130	2623-75130	LABEL	1	
-197	3356-75612	3366-75612	COVER, fan	1	
-198	2616-75710		SCREW	1	
-199	2616-75720		SCREW	3	
-200	2616-81002	2618-81005	CARBURETOR ASSEMBLY	1	Ref. Fig. B
-201	3356-82114		MANIFOLD	1	
-202	3356-82210		BOLT	2	
-203	01601-20513		WASHER	2	
-204	01641-20508		WASHER	2	
-205	2616-82310		ROD, choke	1	
-206	3356-82321		GUIDE, adjuster	1	
-207	2616-82410		ROD, throttle	1	
-208	3356-83104		AIR CLEANER COMPLETE	1	Felt type
-209	3356-98200		AIR CLEANER COMPLETE	1	OP Nylon net type
-210	2616-83200		SILENCER COMPLETE	1	
	2622-83301		CLEANER COVER COMPLETE	1	Incl. 211 thru 213
-211	☆		COVER, air cleaner	1	☆2622-83301
-212	3356-83321		KNOB	1	
-213	3388-83340		GASKET, knob	1	
-214	3356-83351		LABEL	1	
215	2610-83220		CAP, silencer	1	OP K6
-216	2616-35131		DAMPER, rear left	1	
-217	2616-25320		SCREW	2	
-218	2616-35141		DAMPER, rear right bottom	1	
-219	1490-32120		SCREW	1	
-220	2616-35180		CAP	1	
-221	2616-82220		GASKET, manifold	1	K1

Fig. B

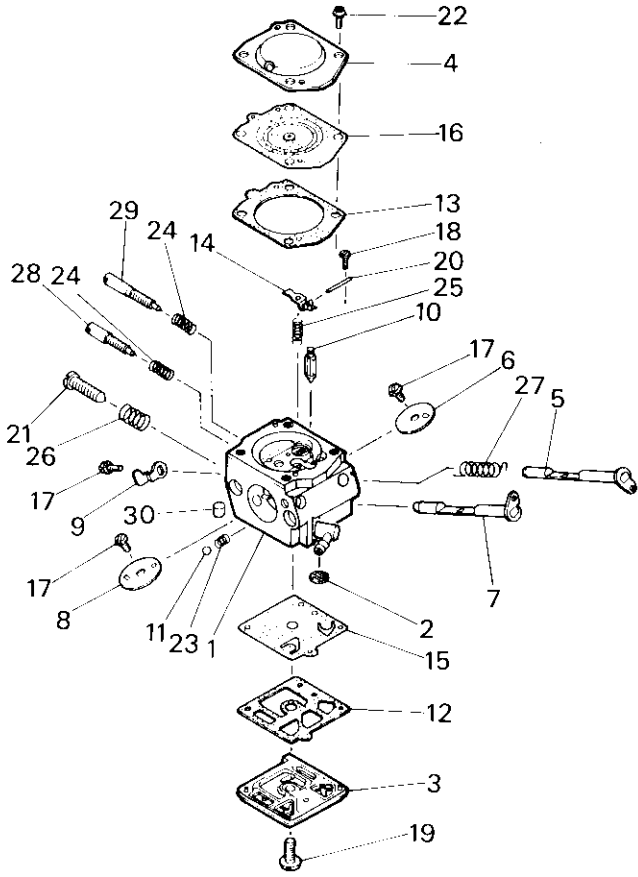


Fig. D

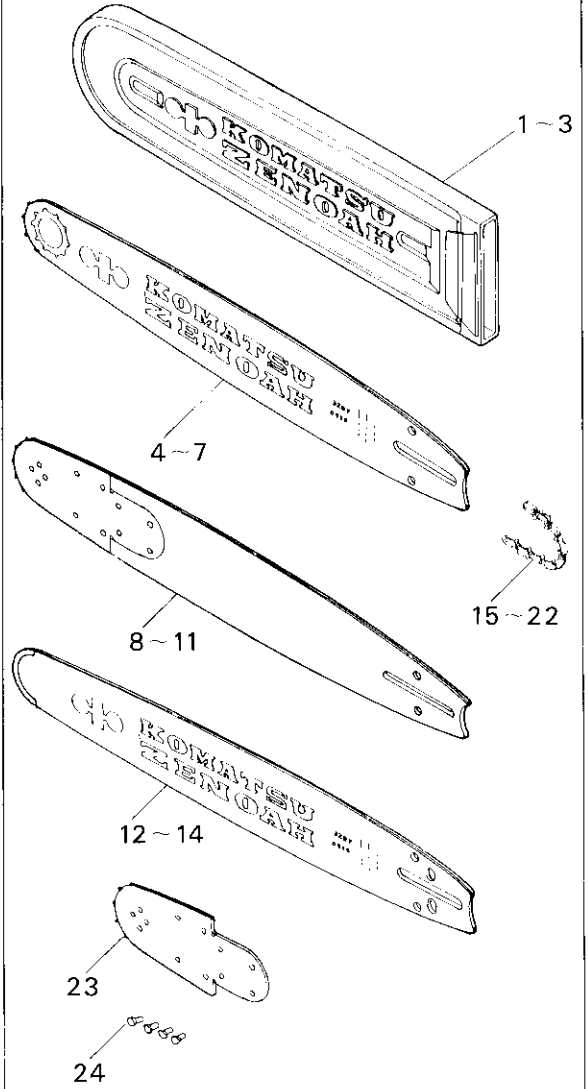


Fig. C

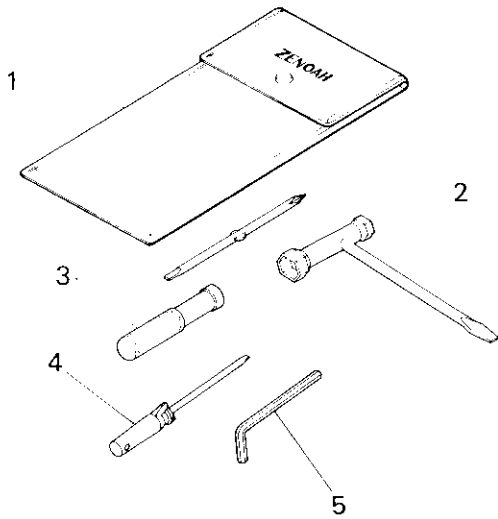
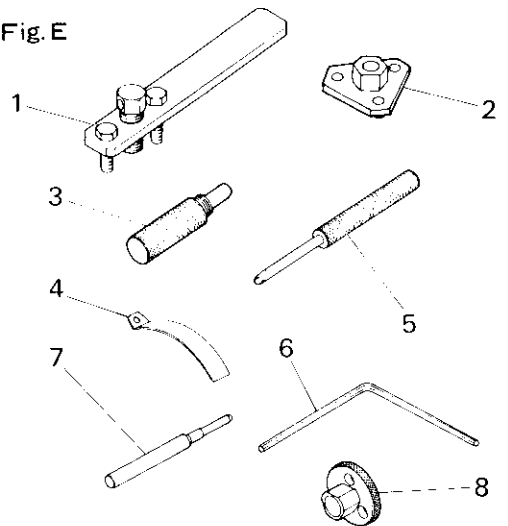


Fig. E





Key No.	Part Number		Description	Q'ty /Unit	Remarks	
	G 5 6 1	G 6 2 1				
B- 1	2616-81002 ☆	2618-81005 ☆	CARBURETOR ASSEMBLY	1	☆2616-81002   ☆2618-81005	
- 2	3306-81380		BODY ASSEMBLY	1		
- 3	3350-81130		SCREEN, inlet	1		
- 4	3350-81140		COVER, pump	1		
- 5	3388-81150	3366-81151	COVER, diaphragm	1		
- 6	2616-81340	3366-81340	SHAFT ASSEMBLY, throttle	1		
- 7	3356-81171		VALVE, throttle	1		
- 8	2616-81180		SHAFT ASSEMBLY, choke	1		
- 9	3350-81190		VALVE, choke	1		
-10	3356-81310		STOP, throttle	1		
-11	3350-81220		VALVE, inlet	1		
-12	3350-81230		BALL, friction	1		K2
-13	3350-81240		GASKET, pump	1		K2
-14	3350-81250		GASKET, diaphragm	1		
-15	3350-81260		LEVER, metering	1		
-16	3350-81270		DIAPHRAGM, pump	1		K3
-17	3310-81360		DIAPHRAGM ASSEMBLY	1		K3
-18	3310-81240		SCREW, valve	3		
-19	3310-81240		SCREW, metering lever	1		
-20	3310-81130   1491-81130		SCREW, pump cover	1		
-21	3310-81250		PIN, metering lever	1		
-22	2630-81330   2670-81430		SCREW, idle speed	1		
-23	3310-81351		SCREW ASSEMBLY	4		
-24	3350-81350		SPRING, friction	1		
-25	1491-81161   1491-81161		SPRING, needle adjust	2		
-26	3350-81370		SPRING, metering lever	1		
-27	3350-81380		SPRING, idle speed	1		
-28	3350-81391		SPRING, throttle return	1		
-29	2618-81411		NEEDLE, high speed	1		
-30	3366-81421   3356-81420		NEEDLE, idle	1		
	3356-81430		PLUG, friction	1		
	3356-91002		TOOL SET	1	Incl. 1 thru 5	
C- 1	1820-91111		BAG	1		
- 2	3320-91140		PLUG WRENCH	1		
- 3	1030-91340		SCREWDRIVER	1		
- 4	2670-91150		SCREWDRIVER	1		
- 5	09007-00425		ALLEN WRENCH	1		
D- 1	3310-97112		PROTECTOR, guide bar	1	OP for 13" bar	
- 2	3356-97110		PROTECTOR, guide bar	1	OP for 16" ~ 18" bar	
- 3	3665-97110		PROTECTOR, guide bar	1	OP for 20" ~ 24" bar	
- 4	3662-52113	3675-52113	BAR 13", sprocket nose	1	OP 325P   3/8P	
- 5	3663-52112	3670-52112	BAR 16", sprocket nose	1	OP 325P   3/8P	
- 6	3664-52112	3673-52112	BAR 18", sprocket nose	1	OP 325P   3/8P	
- 7	3665-52112	3674-52112	BAR 20", sprocket nose	1	OP 325P   3/8P	
- 8	3666-52100	3676-52100	BAR 16", replaceable nose	1	OP 325P   3/8P	
- 9	3667-52100	3677-52100	BAR 18", replaceable nose	1	OP 325P   3/8P	
-10	3668-52100	3678-52100	BAR 20", replaceable nose	1	OP 325P   3/8P	
-11	3669-52101	3679-52101	BAR 24", replaceable nose	1	OP 325P   3/8P	
-12	3680-52120		BAR 16", hard nose	1	OP	
-13	3681-52121		BAR 18", hard nose	1	OP	
-14	3692-52120		BAR 20", hard nose	1	OP	
-15	3658-52210	3675-52220	CHAIN, for 13" bar	1	OP 34LG-60E   77LG-52E	
-16	3666-52210	3670-52210	CHAIN, for 16" bar	1	OP 34LG-68E   77LG-60E	
-17	3686-52210	3673-52210	CHAIN, for 18" bar	1	OP 34LG-74E   77LG-66E	
-18	3687-52210	3674-52210	CHAIN, for 20" bar	1	OP 34LG-81E   77LG-72E	
-19	3669-52210	3679-52220	CHAIN, for 24" bar	1	OP 34LG-94E   77LG-84E	
-20	3663-52210	---	CHAIN, for 16" bar	1	OP 21BP-68E	
-21	3664-52210	---	CHAIN, for 18" bar	1	OP 21BP-74E	
-22	3665-52210	---	CHAIN, for 20" bar	1	OP 21BP-81E	
-23	3666-06010	3677-06010	NOSE KIT	1	OP Incl. 23 & 24	
-24	☆ 3625-52130 ☆		NOSE COMP.	1	OP ☆3666-06010   ☆3677-06010	
			RIVET	4	OP	

Key No.	Part Number		Description	Q'ty /Unit	Remarks
	G 5 6 1	G 6 2 1			
E- 1	2616-96000		SPECIAL TOOL KIT	1	OP Incl. 1 thru 8
- 2	2890-96100		PULLER ASSEMBLY, rotor	1	OP
- 3	2616-96210		WRENCH, clutch	1	OP
- 4	3350-96220		STOPPER, piston	1	OP
- 5	3350-96240		GAUGE, air gap	1	OP
- 6	3350-96510		GUIDE, brake spring	1	OP
- 7	3330-97210		WRENCH	1	OP
- 8	3356-96230		GUIDE, piston pin	1	OP
	3350-96250		GAUGE, heater coil	1	OP
K- 1	2616-06010	2618-06010	GASKET KIT	1	OP for ENGINE
- 2	3350-06020		GASKET KIT	1	OP for CARBURETOR
- 3	3350-06030		DIAPHRAGM KIT	1	OP for CARBURETOR
- 4	2622-06052	2623-06053	SHORT BLOCK	1	OP
- 5	2616-06071		HEATING HANDLE KIT	1	OP
- 6	2616-06081		INTAKE PREHEAT KIT	1	OP
- 7	—	2623-06011	DOUBLE SPIKE KIT	1	OP