



SERVICE PARTS LIST

DECEMBER 1986

KOMATSU ZENOAH CO.

2-142-1, Sakuragaoka, Higashiyamato.

Tokyo 189, Japan

Phone 0425-61-2141 Telex 2842-243

Fom. No. 22B-1102-06120-00

CHAIN SAW

MODELS:

G561AV (# 6000001~)

G561AVS (# 6000001~)

G561AVSH (# 6000001~)

G621AV (# 6000001~)

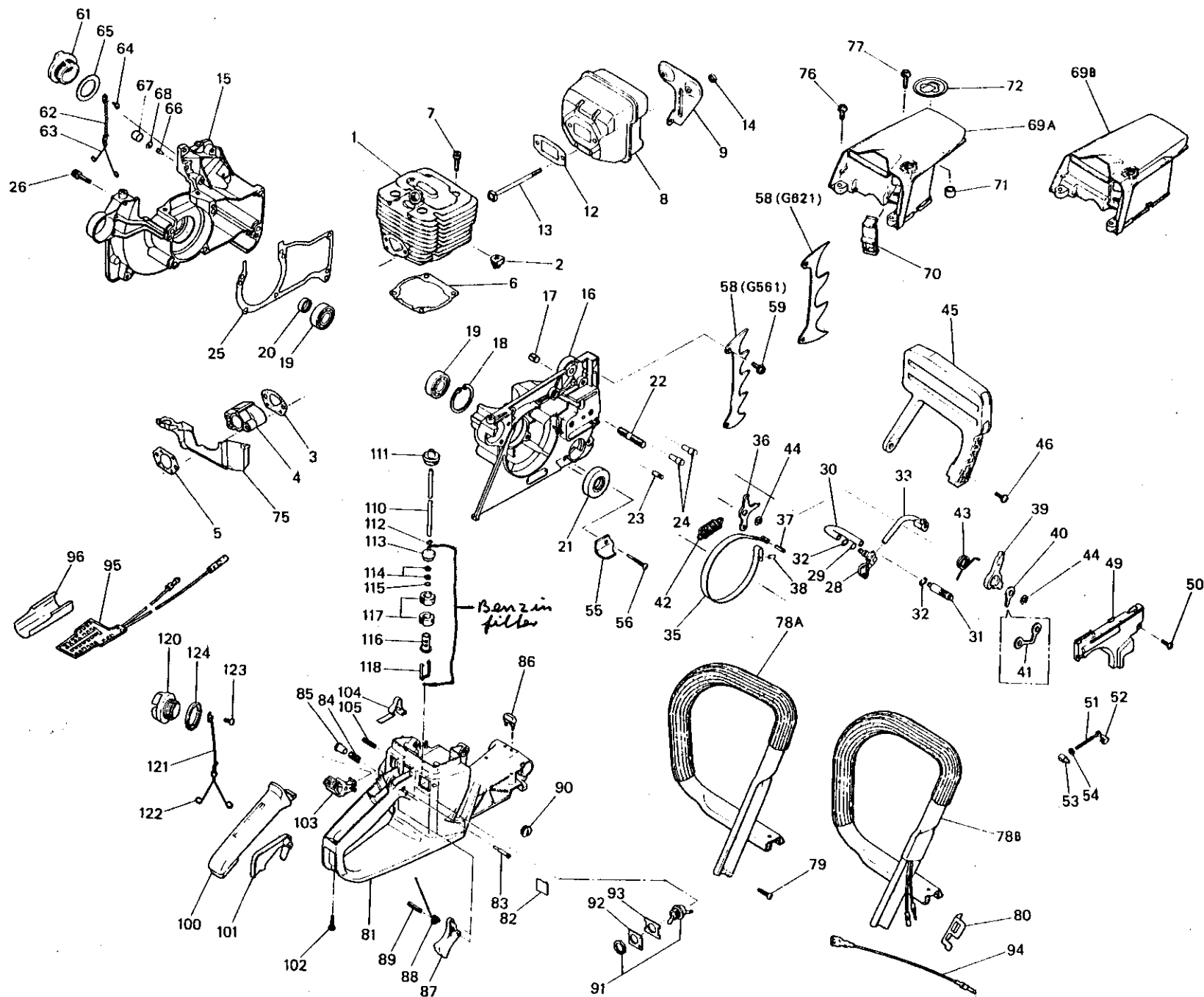
G621AVS (# 6000001~)

G621AVSH (# 6000001~)

2622	2623	2624	2625	2668	2678
------	------	------	------	------	------

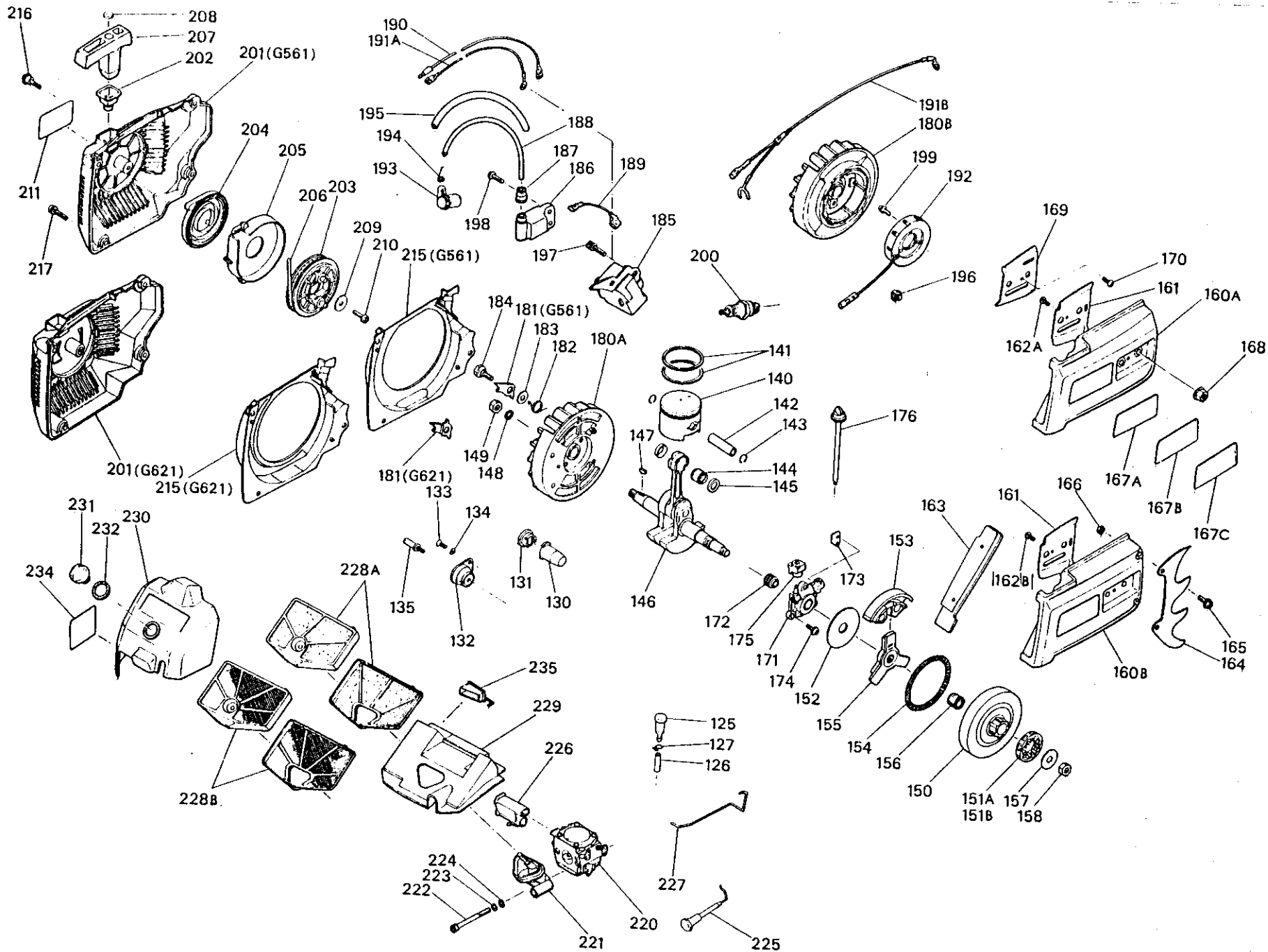
- Remarks**
- ☆ This part shall be supplied not alone but as an assembled part of which number is given after this mark.
 - This part may be replaced with another part of which number is given after this mark for supply.
 - OP This part is not provided with standard machine but shall be supplied upon separate order.
 - K-O This part is a member of a kit of which number is described in the latter section.

Fig. A (1)



Key No.	Part Number		Description	Q'ty /Unit	Remarks	Key No.	Part Number		Description	Q'ty /Unit	Remarks
	G881	G821					G881	G821			
A- 1	2616-12110	2618-12110	CYLINDER	1	K4	A- 64	☆	SCREW	1	☆3356-26100	
- 2	3356-12140		GROMMET	1	K4	- 65	3317-57220	GASKET	1		
- 3	3356-14110		GASKET, insulator	1	K1	- 66	3330-23121	VALVE	1		
- 4	3356-14120	3366-14120	INSULATOR	1		- 67	3350-26220	SEAL, breather	1		
- 5	3356-14130	3366-14130	GASKET, carburetor	1	K1	- 68	3350-26230	CLIP	1		
- 6	3356-14210		GASKET, cylinder base	1	K1, K4		3356-31105	COVER COMP, cylinder	-	Incl. 69A thru 72	
- 7	3310-12280		BOLT	4	K4	- 69A	3356-31115	COVER, cylinder	1		
	3356-15102		MUFFLER ASSEMBLY	-	Incl. 8 & 9	- 69B	2616-98310	COVER, cylinder	1	OP K7	
- 8	3356-15110		MUFFLER	1		- 70	3356-31120	CAP, cylinder cover	1	K7	
- 9	3356-15122		STAY	1		- 71	3356-31151	GROMMET	1	K7	
-12	3356-15210		GASKET, muffler	1	K1	- 72	3356-31160	LABEL	1		
-13	3356-15220		BOLT	2		- 75	3356-31212	SEAL, cylinder cover	1		
-14	3356-15230		NUT	2		- 76	0263-90514	SCREW	2		
	3356-21005		CRANKCASE ASSEMBLY	-	Incl. 15 thru 25	- 77	0263-90520	SCREW	1		
-15	☆		CRANKCASE MAG	1	☆3356-21005 K4	- 78A	2620-32100	FRONT HANDLE COMP.	1	for AV & AVS	
-16	☆		CRANKCASE PTO	1	☆3356-21005 K4	- 78B	2614-32100	FRONT HANDLE COMP.	1	for AVSH K6	
-17	3356-21130		PIN	3	K4	- 79	3356-32210	SCREW	4		
-18	04065-03515		SNAP RING	1	K4	- 80	2614-32220	CLAMP, cord	1	for AVSH K6	
-19	06030-06202		BEARING	2	K4		2622-33000	REAR HANDLE ASSY	-	Incl. 81 thru 89	
-20	3350-21210		OIL SEAL, MAG	1	K4	- 81	2622-33100	REAR HANDLE COMP.	1		
-21	1400-21220		OIL SEAL, PTO	1	K4	- 82	3350-33220	PLATE	1	for AV & AVS	
-22	0250-50825		STUD	2	K4	- 83	3330-33250	STOPPER	1		
-23	3350-21250		SPRING PIN	1	K4	- 84	3310-33262	SPRING	1		
-24	3356-21270		PIN, brake arm	1	K4	- 85	3310-33271	KNOB	1		
-25	3356-21310		GASKET, crankcase	1	K1, K4	- 86	3356-33280	DAMPER (A)	1		
-26	3310-12280		BOLT	6	K4	- 87	3356-33311	LEVER, throttle	1		
	3356-23100		OIL PIPE COMPLETE	-	Incl. 28 thru 32	- 88	3356-33321	SPRING, throttle	1		
-28	3356-23110		PIPE, oil	1		- 89	04025-00524	SPRING PIN	1		
-29	07000-01008		O-RING	1		- 90	3350-34651	GROMMET	1	for AVSH K6	
-30	3310-57312		PIPE	1		- 91	3354-34810	SWITCH ASSEMBLY	1	for AVSH K6	
-31	3310-57412		WEIGHT	1		- 92	3354-34830	PLATE, switch	1	for AVSH K6	
-32	3310-57511		CLIP	2		- 93	3354-34840	BACK PLATE	1	for AVSH K6	
-33	3356-23210		PIPE, oil	1		- 94	2614-34850	CORD, heater	1	for AVSH K6	
	3356-24101		BRAKE BAND COMP.	-	Incl. 35 thru 37	- 95	2614-34910	REAR HEATER	1	for AVSH K6	
-35	3356-24111		BAND, brake	1	for AVS & AVSH K5	- 96	2614-34920	PLATE	1	for AVSH K6	
-36	3356-24120		ARM, brake	1	for AVS & AVSH K5	-100	3356-34111	COVER, grip	1		
-37	04025-00408		SPRING PIN	1	for AVS & AVSH K5	-101	3356-33350	ARM	1		
-38	3356-24140		ROLLER	1	for AVS & AVSH K5	-102	3356-32210	SCREW	1		
-39	3356-24210		LEVER	1		-103	3350-34210	LEVER, switch	1		
-40	3356-24220		STOPPER, brake	1	for AVS & AVSH K5	-104	3356-34221	SPRING, switch	1		
-41	3357-24220		STOPPER	1	for AV	-105	3350-34230	SPRING PIN	1		
-42	3356-24230		SPRING, brake	1	for AVS & AVSH K5		3356-34301	FUEL PIPE ASSY	-	Incl. 110 thru 118	
-43	3356-24240		SPRING	1		-110	3356-34310	PIPE	1		
-44	0308-00060		SNAP RING	1	for AV K5	-111	3356-34320	GROMMET	1		
-45	3356-24313		GUARD	1	for AVS & AVSH	-112	1260-85460	CLIP	1		
-46	2616-24320		SCREW	1			3302-85400	FILTER ASSY	-	Incl. 113 thru 118	
-49	3356-24411		COVER, brake	1	☆	-113	☆	BODY	1	☆3302-85400	
-50	0263-60514		SCREW	2	☆	-114	☆	SCREEN	2	☆3302-85400	
-51	3350-25111		SCREW, chain adj.	1	☆	-115	☆	RING	1	☆3302-85400	
-52	3350-25121		STOPPER, adj. screw	1	☆	-116	☆	SLEEVE	1	☆3302-85400	
-53	3320-21191		NUT (A)	1	☆	-117	☆	FILTER	2	☆3302-85400	
-54	01641-20508		WASHER	1	☆	-118	☆	CLIP	1	☆3302-85400	
-55	2616-25210		CATCHER, chain	1			3350-34400	CAP ASSY, fuel tank	-	Incl. 120 thru 124	
-56	2616-25230		SCREW	1		-120	☆	CAP, fuel tank	1	☆3350-34400	
-58	3350-25310	2623-25310	SPIKE	1		-121	☆	CHAIN, cap	1	☆3350-34400	
-59	2616-25320		SCREW	2	K8	-122	☆	STOPPER	1	☆3350-34400	
	3356-26100		CAP ASSEMBLY, oil tank	-	Incl. 61 thru 65	-123	☆	SCREW	1	☆3350-34400	
-61	☆		CAP, oil tank	1	☆3356-26100	-124	3350-34450	GASKET	1		
-62	☆		CHAIN, cap	1	☆3356-26100						
-63	☆		STOPPER	1	☆3356-26100						

Fig. A(2)



Key No.	Part Number		Description	Q'ty /Unit	Remarks	Key No.	Part Number		Description	Q'ty /Unit	Remarks
	G881	G821					G881	G821			
A-125	2616-34500		BREATHER ASSY	-	Incl. 125 thru 127	A-182	3350-71130		SPRING	2	
-126	2616-34510		BREATHER	1		-183	3388-71150		WASHER	2	
-127	3350-34540		PIPE	1		-184	3310-71142		BOLT	2	
-130	1260-85460		CLIP	1		-185	2616-71210		SOURCE COIL	1	
-131	3356-35110		DAMPER, front	2			2616-71300		IGNITION COIL COMP.	-	186 thru 188
-132	3356-35120		CAP	2		-186	*		COIL, ignition	1	☆2616-71300
-133	3356-35151		DAMPER, rear	2		-187	2616-71320		GROMMET	1	
-134	0262-10514		SCREW	4		-188	2616-71330		CORD, high tension	1	
-135	3320-14140		WASHER	4		-189	2616-71410		CORD, primary	1	
-140	3356-35171		BOLT	2		-190	2616-71420		CORD, switch	1	
-141	2616-41110	2618-41110	PISTON	1	K4	-191A	2616-71430		CORD, earth	1	for AV & AVS
-142	2616-41210	2618-41210	RING, piston	2	K4	-191B	2617-71430		CORD, earth	1	for AVSH K6
-143	3360-41310	3366-41310	PIN, piston	1	K4	-192	2614-71410		COIL, heater	1	for AVSH K6
-144	3350-41320		SNAP RING	2	K4	-193	3350-71220		CAP, spark plug	1	
-145	1400-41410		NEEDLE BEARING	1	K4	-194	3350-71230		SPRING, plug cap	1	
-146	2616-41510		THRUST WASHER	2	K4	-195	2616-71510		TUBE, high tension	1	
-147	2616-42000		CRANKSHAFT COMP.	1	K4	-196	2614-71610		GROMMET	1	for AVSH K6
-148	1000-43240		KEY	1		-197	3350-18250		BOLT	2	
-149	0290-20820		WASHER	1		-198	0263-30416		SCREW	2	
-150	3350-43230		NUT	1		-199	0263-30414		SCREW	3	for AVSH K6
-151A	3350-51110		DRUM, clutch	1		-200	3356-73110		SPARK PLUG	1	Champion CJ-7Y
-151B	3350-51121	3360-51120	RIM, sprocket	1	32SPx7T for G561 37SPx7T for G621		2616-75000	2618-75000	STARTER ASSY	-	Incl. 201 thru 210
-152	3350-98810		RIM, sprocket	1	OP 32SP x 8T		2616-75100	2618-75100	STARTER CASE COMP.	-	Incl. 201 & 202
-153	2616-51200		CLUTCH ASSY	-	Incl. 152 thru 155	-201	*	*	CASE, starter	1	G561 & 2618-75100 G621 & 2618-75100
-154	2616-51210		PLATE, clutch	1		-202	2616-75120		GUIDE, rope	1	
-155	*		SHOE, clutch	3	☆2616-51200	-203	3350-75212		REEL	1	
-156	3350-51230		SPRING, clutch	1			3356-75300		SPIRAL SPRING COMP.	-	Incl. 204 & 205
-157	*		BOSS, clutch	1	☆2616-51200	-204	*		SPRING, spiral	1	☆3356-75300
-158	3320-41410		NEEDLE BEARING	1		-205	*		HOLDER, spring	1	☆3356-75300
-160A	3350-51320		WASHER	1		-206	3356-75410		ROPE	1	
-160B	3310-43220		NUT	1		-207	3350-75420		KNOB, starter	1	
-161	3356-83002		CHAIN COVER ASSY	1	Incl. 160A thru 162A	-208	3310-75431		WASHER	1	
-162A	—	2618-53000	CHAIN COVER ASSY	1	OP Incl. 160B thru 162B	-209	3320-75350		WASHER	1	
-162B	*		CHAIN COVER	1	☆3356-53002	-210	1490-32120		SCREW	1	
-163	*		CHAIN COVER	1	OP ☆2618-53000 K8	-211	2622-75130	2623-75130	LABEL	1	
-164	3356-53220		PLATE, outer	1	K8	-215	3356-75612	3366-75612	COVER, fan	1	
-165	0277-10410		SCREW	1		-216	2616-75710		SCREW	1	
-166	—	0261-00410	SCREW	1	OP K8	-217	2616-75720		SCREW	3	
-167A	—	2616-53300	PROTECTOR COMP.	1	OP K8	-220	3356-81003	3366-81002	CARBURETOR ASSY	1	Ref. Fig. B
-167B	—	2618-53510	SPIKE	1	OP K8	-221	3356-82112		MANIFOLD	1	
-167C	—	2616-25320	SCREW	2	OP K8	-222	3356-82210		BOLT	2	
-168	—	0280-10504	NUT	2	OP K8	-223	01601-20513		WASHER	2	
-169	2624-53120	2625-53120	LABEL	1	for AV	-224	01641-20508		WASHER	2	
-170	2622-53120	2623-53120	LABEL	1	for AVS	-225	2616-82310		ROD, choke	1	
-171	2668-53120	2678-53120	LABEL	1	for AVSH	-226	3356-82321		GUIDE, adjuster	1	
-172	3350-83410		NUT, chain cover	2		-227	3356-82411		ROD, throttle	1	
-173	3356-83210		PLATE, inner	1		-228A	3356-83103		AIR CLEANER COMP.	1	Felt type
-174	0261-00410		SCREW	1		-228B	3356-98200		AIR CLEANER COMP.	1	OP Nylon net type
-175	3356-55101		OIL PUMP ASSY	-	Incl. 170 & 171	-229	3356-83211		SILENCER	1	
-176	3356-55111		BODY	1			2622-83300		CLEANER COVER COMP.	-	Incl. 230 thru 232
-177	3356-55120		WORM	1		-230	*		COVER, air cleaner	1	☆2622-83300
-178	3356-55310		GASKET, oil pump	1		-231	3356-83321		KNOB	1	
-179	0263-90520		SCREW	3		-232	3388-83340		GASKET, knob	1	
-180A	3356-55451		GROMMET, oil pump	1		-234	3356-83351	3366-83350	LABEL	1	
-180B	3356-55511		SHAFT, oil adjust	1		-235	2610-83220		CAP, silencer	1	OP K7
-181	2616-71100	2618-71100	ROTOR COMP.	-	for AV & AVS Incl. 180A thru 184						
-182	2617-71100	2619-71100	ROTOR COMP.	-	for AVSH Incl. 180B thru 184						
-183	2616-71110		ROTOR	1	for AV & AVS						
-184	2617-71110		ROTOR	1	for AVSH K6						
-185	3320-71120	3366-71120	RATCHET	2							

Fig. B

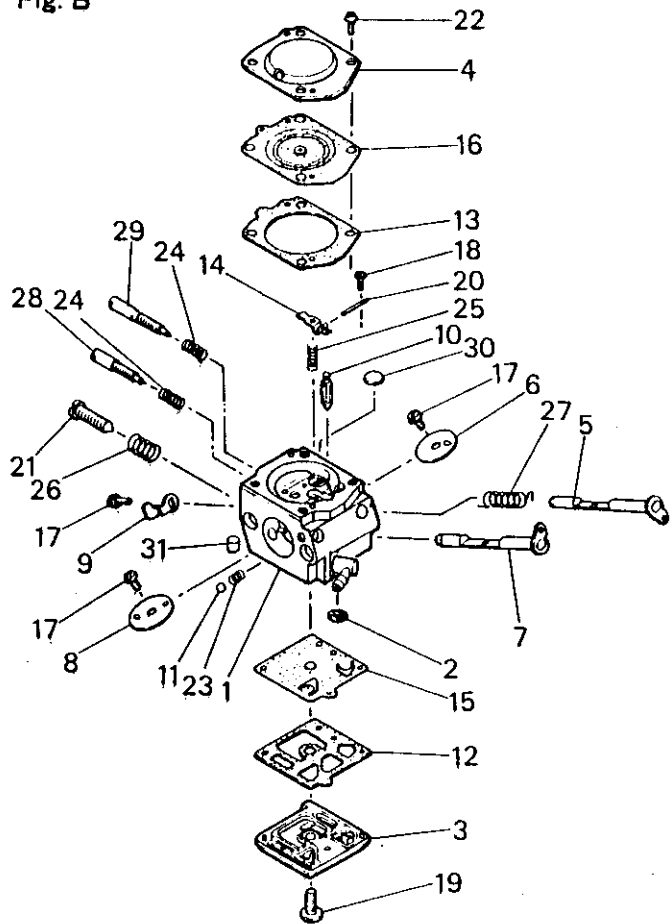


Fig. C

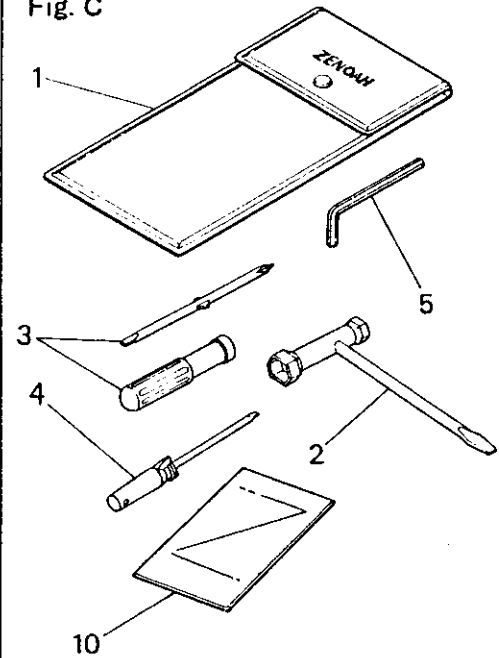


Fig. E

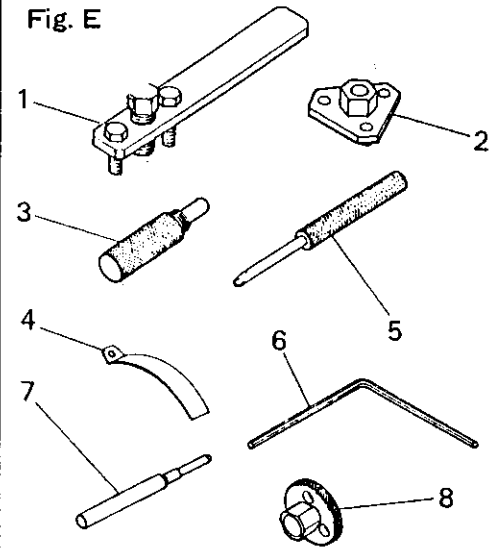
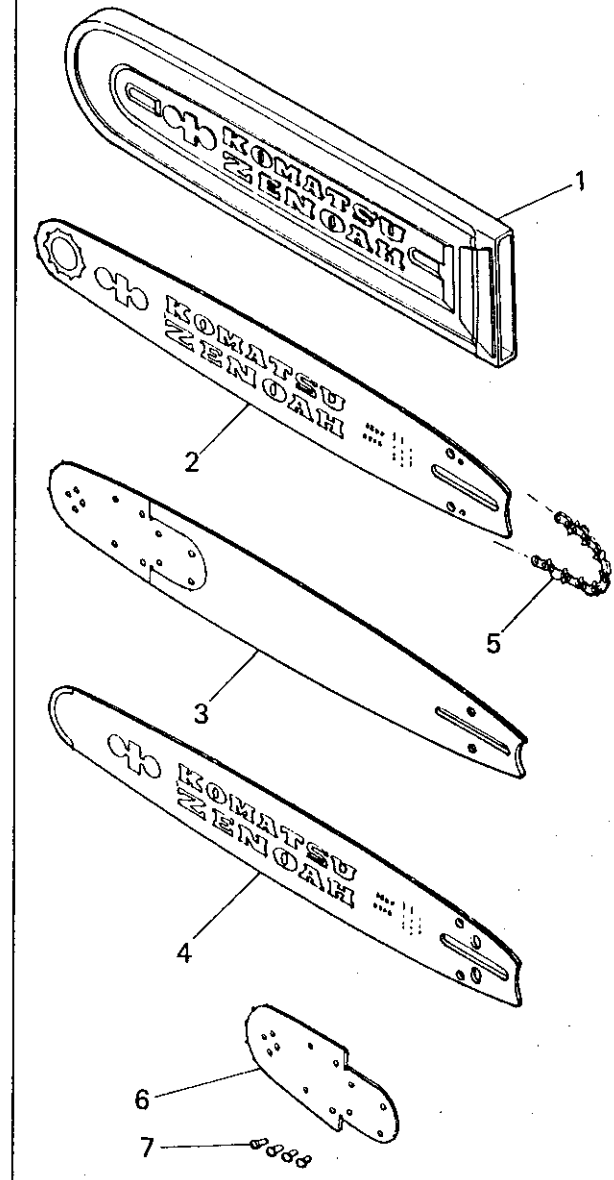


Fig. D



Key No.	Part Number		Description	Q'ty /Unit	Remarks	Key No.	Part Number		Description	Q'ty /Unit	Remarks
	G861	G821					G861	G821			
B- 1	☆	☆	BODY ASSY	1	{G561 & 3356-81003 G621 & 3366-81002	D- 5	3658-52210	3675-52220	CHAIN, for 13" bar	1	OP 34LG-60E for G561 77LG-52E for G621
- 2		3306-81380	SCREEN, inlet	1		- 5	3666-52210	3670-52210	CHAIN, for 16" bar	1	OP 34LG-60E for G561 77LG-60E for G621
- 3		3350-81130	COVER, pump	1		- 5	3686-52210	3673-52210	CHAIN, for 18" bar	1	OP 34LG-74E for G561 77LG-66E for G621
- 4		3350-81140	COVER, diaphragm	1		- 5	3687-52210	3674-52210	CHAIN, for 20" bar	1	OP 34LG-81E for G561 77LG-72E for G621
- 5	3388-81150	3366-81151	SHAFT ASSY, throttle	1		- 5	3669-52210	3679-52220	CHAIN, for 24" bar	1	OP 34LG-84E for G561 77LG-84E for G621
- 6	3356-81340	3366-81340	VALVE, throttle	1		- 6	☆	☆	NOSE KIT.	-	OP Incl. 6 & 7
- 7		3356-81171	SHAFT ASSY, choke	1		- 7		3625-52130	NOSE COMP.	1	OP G561 & 3366-06010 G621 & 3677-06010
- 8		2616-81180	VALVE, choke	1					RIVET	4	OP
- 9		3350-81190	STOP, throttle	1							
-10		3356-81310	VALVE, inlet	1							
-11		3350-81220	BALL, friction	1							
-12		3350-81230	GASKET, pump	1	K2						
-13		3350-81240	GASKET, diaphragm	1	K2						
-14		3350-81250	LEVER, metering	1				2616-96000	SPECIAL TOOL KIT	1	OP
-15		3350-81260	DIAPHRAGM, pump	1	K3	E- 1	3310-96100		PULLER ASSY, rotor	1	OP
-16		3350-81270	DIAPHRAGM ASSY	1	K3	2	2616-96210		WRENCH clutch	1	OP
-17		3310-81360	SCREW, valve	3		3	3350-96220		STOPPER, piston	1	OP
-18		3310-81240	SCREW, metering lever	1		4	3350-96240		GAUGE, air gap	1	OP
-19	3310-81130	1491-81130	SCREW, pump cover	1		5	3350-96510		GUIDE, brake spring	1	OP
-20		3310-81250	PIN, metering lever	1		6	3330-97210		WRENCH	1	OP
-21		3350-81330	SCREW, idle speed	1		7	3356-96230		GUIDE, piston pin	1	OP
-22		3310-81351	SCREW ASSY	4		8	3350-96250		GAUGE, heater coil	1	OP
-23		3350-81350	SPRING, friction	1		K- 1	3356-06010	3366-06010	GASKET KIT	1	OP for ENGINE
-24		1491-81160	SPRING, needle adjust	2		- 2	3350-06020		GASKET KIT	1	OP for CARBURETOR
-25		3350-81370	SPRING, metering lever	1		- 3	3350-06030		DIAPHRAGM KIT	1	OP for CARBURETOR
-26		3350-81380	SPRING, idle speed	1		- 4	2622-06050	2623-06050	SHORT BLOCK	1	OP
-27		3350-81391	SPRING, throttle return	1		- 5	3357-06010		BRAKE KIT	1	OP
-28	3356-81410	3366-81410	NEEDLE, high speed	1		- 6	2616-06070		HEATING HANDLE KIT	1	OP
-29		3366-81421	NEEDLE, idle	1		- 7	2616-06080		INTAKE PREHEAT KIT	1	OP
-30		3304-81420	PLUG, Welch	1		- 8	—	2623-06010	DOUBLE SPIKE KIT	1	OP
-31		3356-81430	PLUG, friction	1							
		3356-91001	TOOL SET	—	Incl. 1 thru 5						
C- 1		1820-91111	BAG	1							
- 2		3320-91140	PLUG WRENCH	1							
- 3		1030-91340	SCREWDRIVER	1							
- 4		3350-91150	SCREWDRIVER	1							
- 5		09007-00428	ALLEN WRENCH	1							
-10		2622-93110	MANUAL	1							
D- 1		3310-97112	PROTECTOR, guide bar	1	OP for 13" bar						
- 1		3356-97110	PROTECTOR, guide bar	1	OP for 16" -18" bar						
- 1		3665-97110	PROTECTOR, guide bar	1	OP for 20" -24" bar						
- 2	3662-52113	3675-52113	BAR 13", sprocket nose	1	OP 32SP for G561 3/8P for G621						
- 2	3663-52112	3670-52112	BAR 16", sprocket nose	1	OP 32SP for G561 3/8P for G621						
- 2	3664-52112	3673-52112	BAR 18", sprocket nose	1	OP 32SP for G561 3/8P for G621						
- 2	3665-52112	3674-52112	BAR 20", sprocket nose	1	OP 32SP for G561 3/8P for G621						
- 3	3666-52100	3676-52100	BAR 16", replaceable nose	1	OP 32SP for G561 3/8P for G621						
- 3	3667-52100	3677-52100	BAR 18", replaceable nose	1	OP 32SP for G561 3/8P for G621						
- 3	3668-52100	3678-52100	BAR 20", replaceable nose	1	OP 32SP for G561 3/8P for G621						
- 3	3669-52101	3679-52101	BAR 24", replaceable nose	1	OP 32SP for G561 3/8P for G621						
- 4		3680-52120	BAR 16", hard nose	1	OP						
- 4		3681-52120	BAR 18", hard nose	1	OP						
- 4		3682-52120	BAR 20", hard nose	1	OP						