



**KOMATSU
ZENOH**

G560AVS

PARTS LIST

ABE SHOKAI

1-594-7 OGAWA-CHO, KODAIRA-SHI
TOKYO, 187 JAPAN

KOMATSU ZENOH CO.

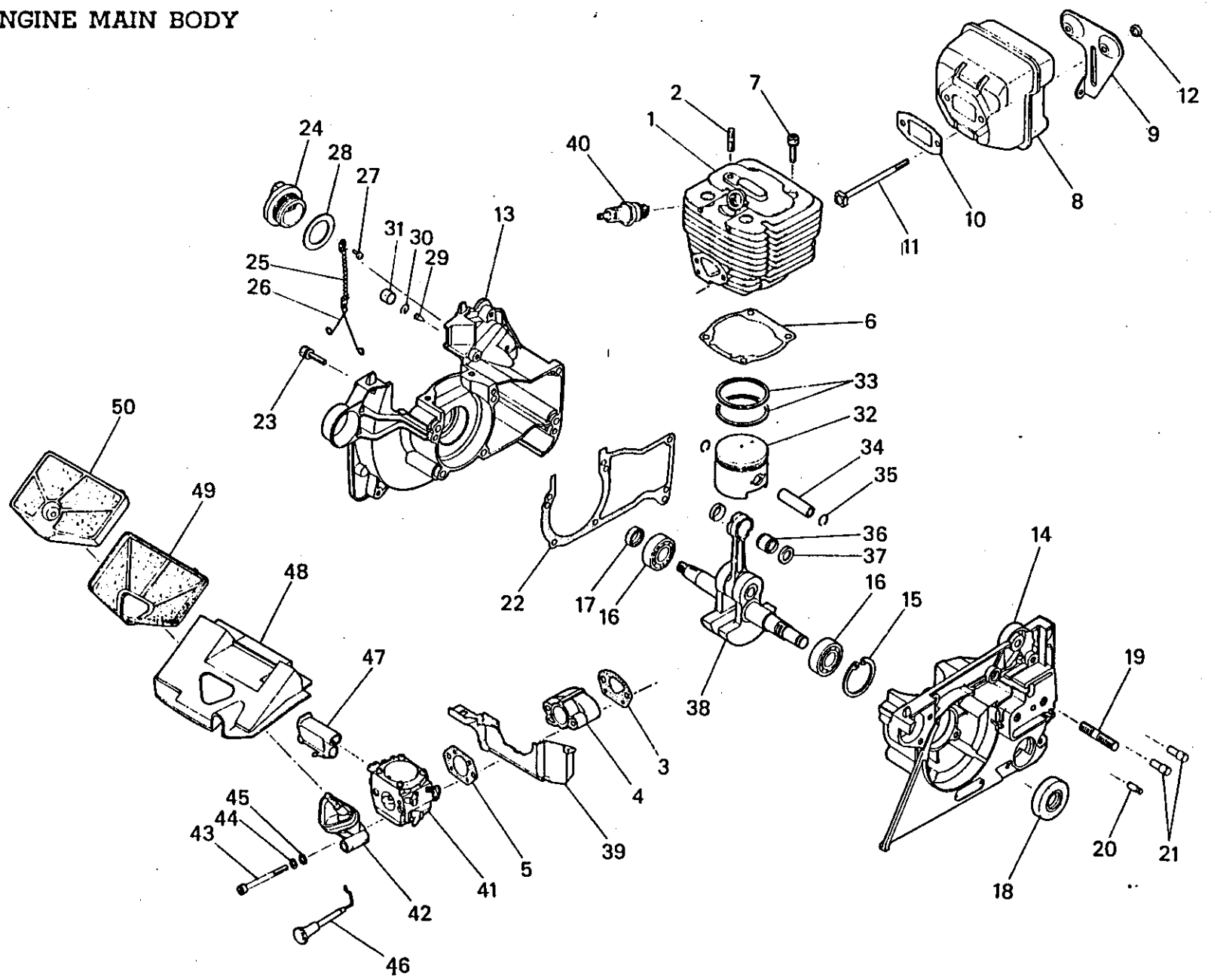
2-142-1, Sakuragaoka, Higashiyama
Tokyo 189 Japan
Phone 0425-61-2141 Telex 2842-243

Form. No. 22B-0302-04070-00

CHAIN SAW

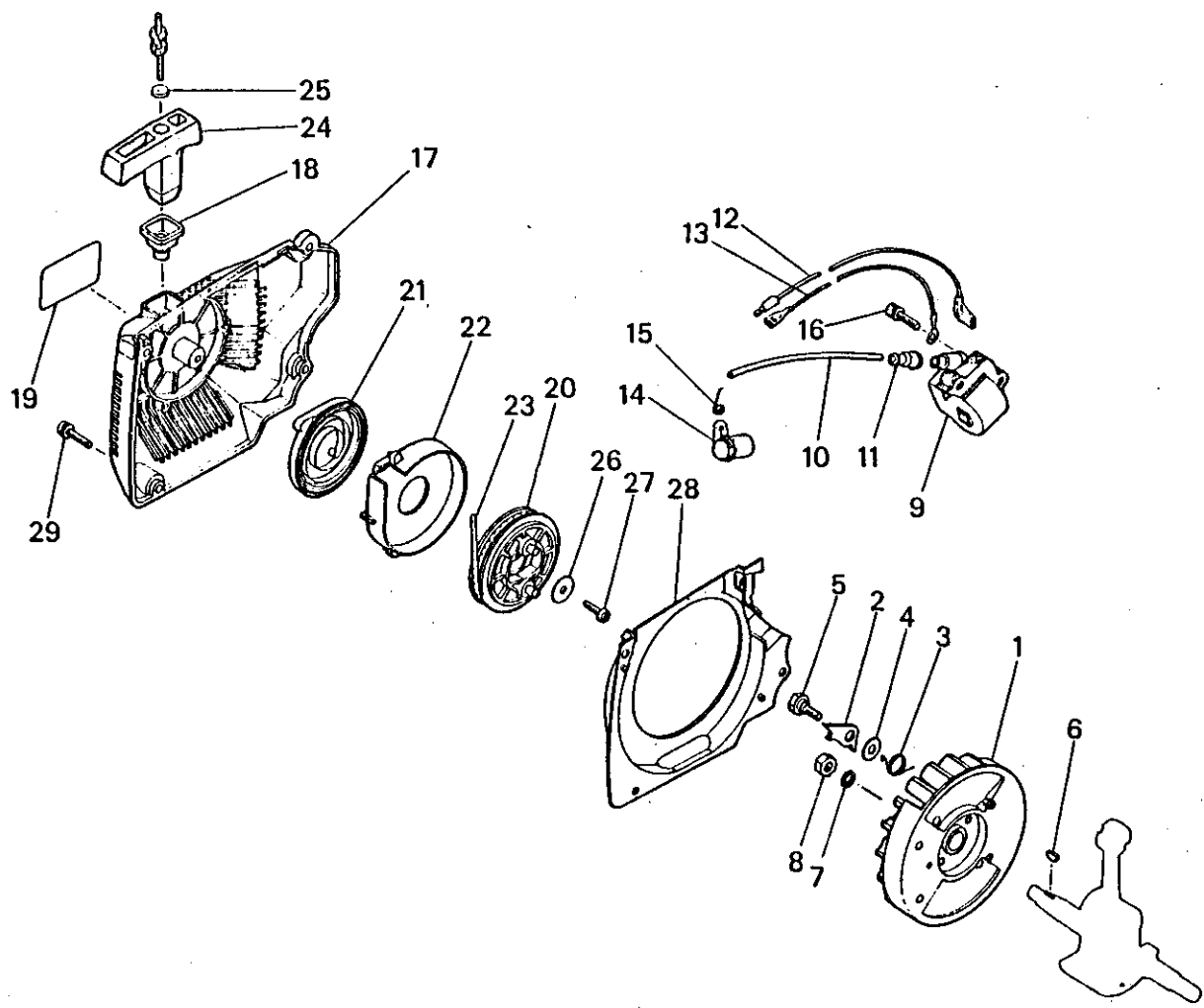
G560AVS

Fig. 1 ENGINE MAIN BODY



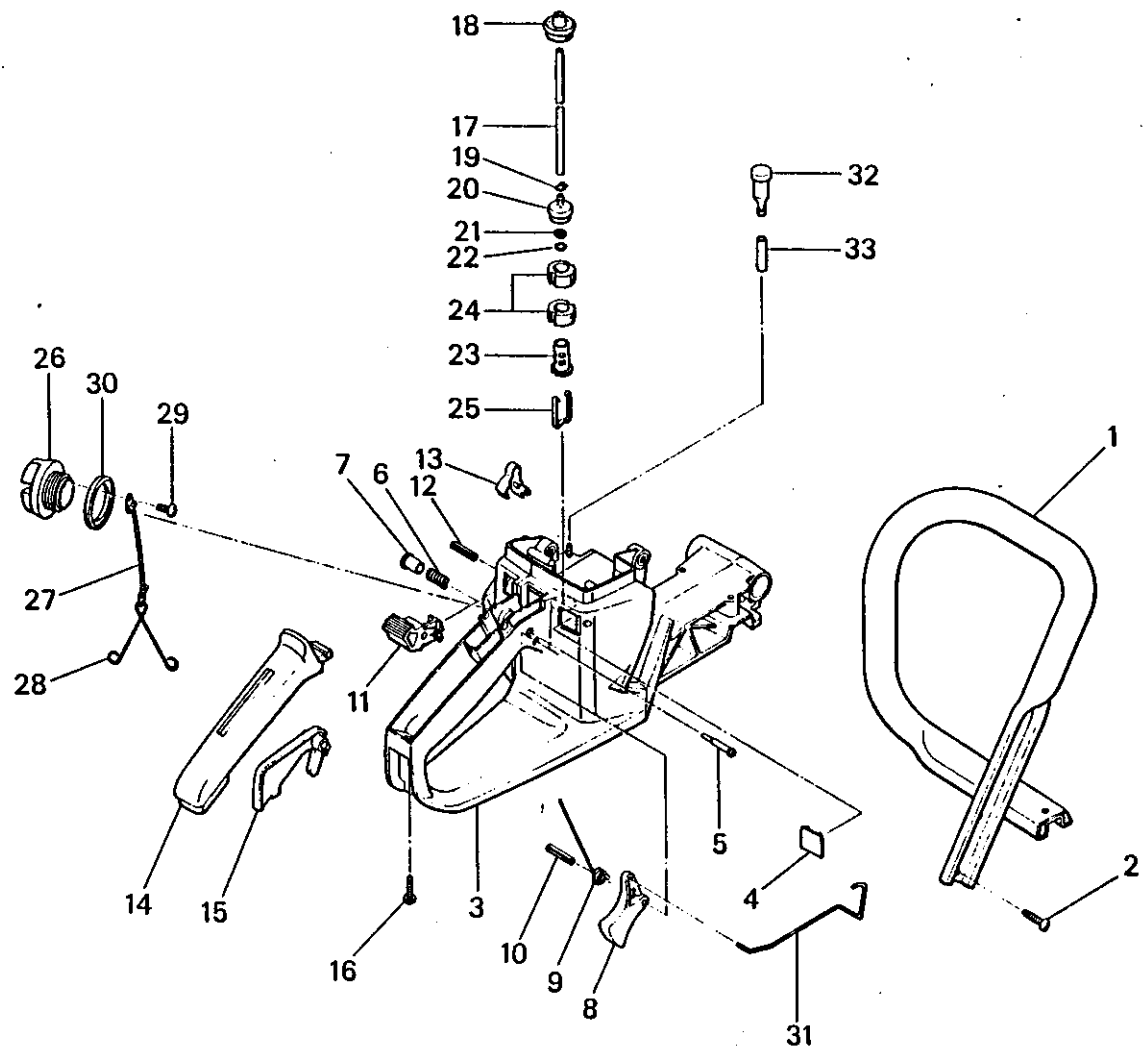
Key No.	Parts Number	Description	Q'ty	Rank	Remarks	Key No.	Parts Number	Description	Q'ty	Rank	Remarks
	3356-12100	CYLINDER COMP	1	••		1-25	☆	• CHAIN, tank cap	1		☆3356-26100
1- 1	☆	• CYLINDER	1		☆3356-12100	-26	☆	• STOPPER	1		☆3356-26100
- 2	3356-12120	• STUD	1	•		-27	☆	• SCREW	1		☆3356-26100
- 3	3356-14110	GASKET, insulator	1	•••	K-1	-28	3317-57220	• GASKET	1	•••	
- 4	3356-14120	INSULATOR	1	•••		-29	3330-23121	VALVE	1	••	□3310-57120
- 5	3356-14130	GASKET, carburetor	1	•••	K-1	-30	3350-26230	CLIP	1	••	
- 6	3356-14210	GASKET, cylinder base	1	•••	K-1	-31	3350-26220	SEAL, breather	1	•••	
- 7	3310-12280	BOLT	4	•	M5×20 ¹	-32	3356-41110	PISTON	1	•••	
	3356-15100	MUFFLER ASSY	1	•		-33	3356-41210	RING, piston	2	•••	
- 8	3356-15110	• MUFFLER	1	•		-34	3360-41310	PIN, piston	1	••	
- 9	3356-15120	• STAY	1	•		-35	3350-41320	RING, snap	2	•••	
-10	3356-15210	GASKET, muffler	1	•••	K-1	-36	1400-41410	BEARING, needle	1	••	□3350-41410
-11	3356-15220	BOLT	2	••		-37	1400-41510	WASHER, thrust	2	•	
-12	3356-15230	NUT	2	••		-38	3356-42000	CRANKSHAFT COMP	1	•	
	3356-21000	CRANKCASE ASSY	1	•		-39	3356-31210	SEAL, cylinder cover	1	•	
-13	☆	• CASE, magneto	1		☆3356-21000	-40	3356-73110	PLUG	1	•••	CHAMPION CJ-7Y
-14	☆	• CASE PTO	1		☆3356-21000	-41	3356-81000	CARBURETOR ASSY	1	•	WALBRO HDA
-15	04065-03515	• RING, snap	1	•		-42	3356-82110	MANIFOLD	1	•	
-16	06030-06202	• BEARING	2	•		-43	3356-82210	BOLT	2	•	M5×80 ¹
-17	3350-21210	• SEAL, oil	1	•••		-44	01601-20513	WASHER	2	•	
-18	1400-21220	• SEAL, oil	1	•••		-45	01641-20508	WASHER	2	•	
-19	0250-50825	• STUD	2	••		-46	3350-82310	ROD, choke	1	•	
-20	3350-21250	• PIN, spring	1	•		-47	3356-82320	GUIDE, adjuster	1	••	
-21	3356-21270	• PIN, arm	2	•		-48	3356-83210	SILENCER	1	••	
-22	3356-21310	• GASKET, crankcase	1	•••	K-1		3356-83100	AIR CLEANER COMP	1	•••	
-23	3310-12280	BOLT	6	•	M5×20 ¹	-49	☆	• CLEANER, lower	1		☆3356-83100
	3356-26100	CAP ASSY	1	•••		-50	☆	• CLEANER, upper	1		☆3356-83100
-24	☆	• CAP, tank	1		☆3356-26100						

Fig. 2 IGNITION SYSTEM-STARTER



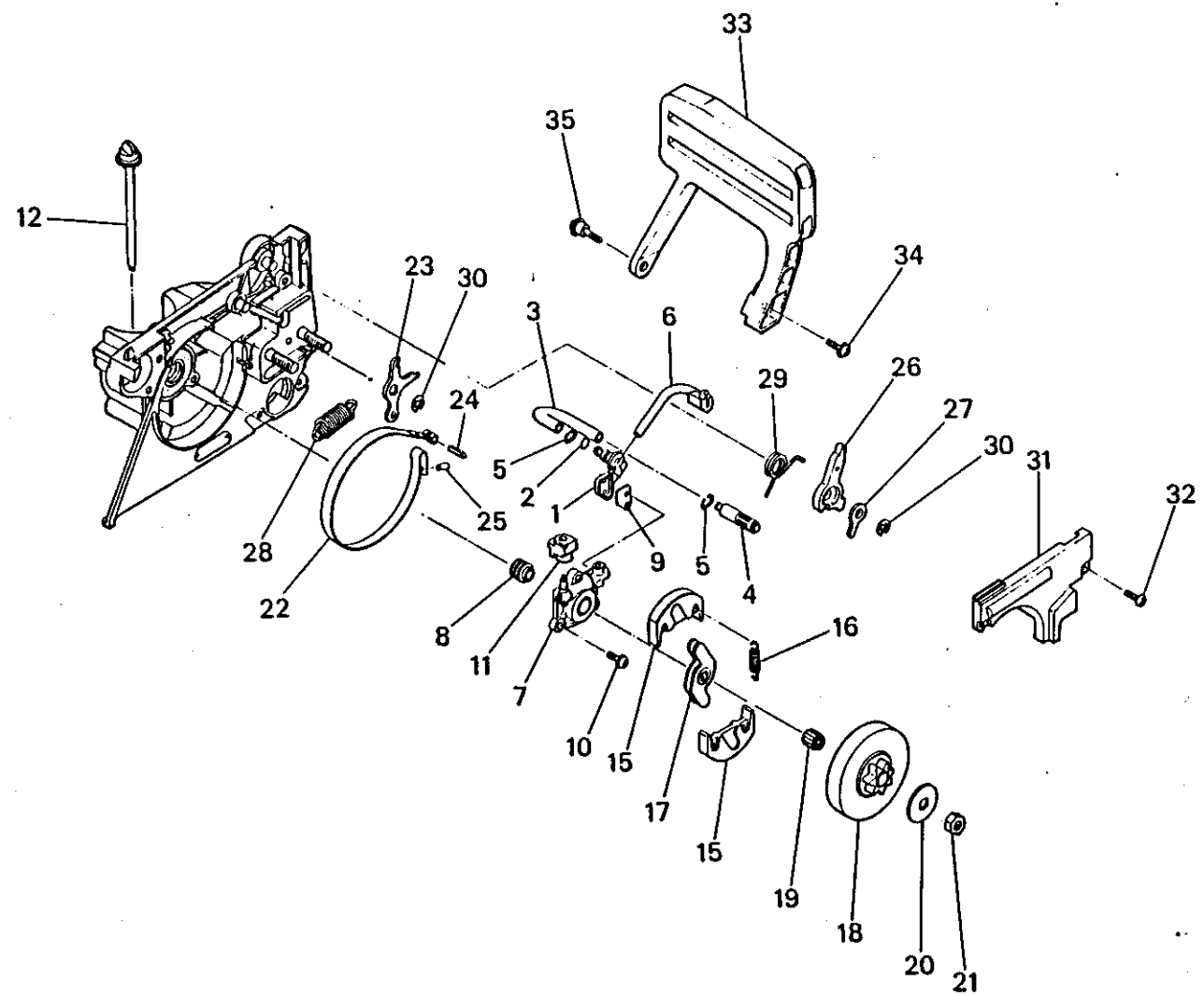
Key No.	Parts Number	Description	Q'ty	Rank	Remarks	Key No.	Parts Number	Description	Q'ty	Rank	Remarks
	3356-71100	ROTOR COMP	1	•			3356-75300	• SPRING COMP	1	•••	
2- 1	3356-71110	• ROTOR	1	•	K-4	2-21	☆	•• SPRING, spiral	1		☆3356-75300
- 2	3320-71120	• RATCHET	2	••		-22	☆	•• HOLDER, spring	1		☆3356-75300
- 3	3310-71133	• SPRING	2	••		-23	3356-75410	• ROPE	1	•••	
- 4	3310-71150	• WASHER	2	•		-24	3350-75420	• KNOB, starter	1	••	
- 5	3310-71142	• BOLT	2	•		-25	3310-75431	• WASHER	1	•	
- 6	1000-43240	KEY	1	••		-26	3320-75350	WASHER	1	•	
- 7	0290-20820	WASHER	1	•		-27	1490-32120	SCREW	1	•	5×14 /
- 8	3350-43230	NUT	1	•		-28	3356-75610	COVER	1	•	
	3356-71200	COIL COMP	1	••	K-4	-29	0263-90520	SCREW	3	•	M5×20 /
- 9	☆	• COIL, Ignition	1		☆3356-71200						
-10	3356-71220	• CORD	1	•••							
-11	3302-71230	• GROMMET	1	•							
-12	3356-71310	CORD, switch	1	••	K-4						
-13	3356-71320	CORD, earth	1	••	K-4						
-14	3350-71220	CAP, plug	1	••							
-15	3350-71230	SPRING, plug cap	1	••							
-16	3310-12280	BOLT	2	•	M5×20 /						
	3356-75000	STARTER ASSY	1	•							
	3356-75100	• RECOIL CASE COMP	1	•							
-17	☆	•• CASE, recoil	1		☆3356-75100						
-18	3356-75120	•• GUIDE, rope	1	••							
-19	3356-75130	•• LABEL	1	••							
-20	3350-75210	• REEL, recoil starter	1	••							

Fig. 3 HANDLE-FUEL TANK



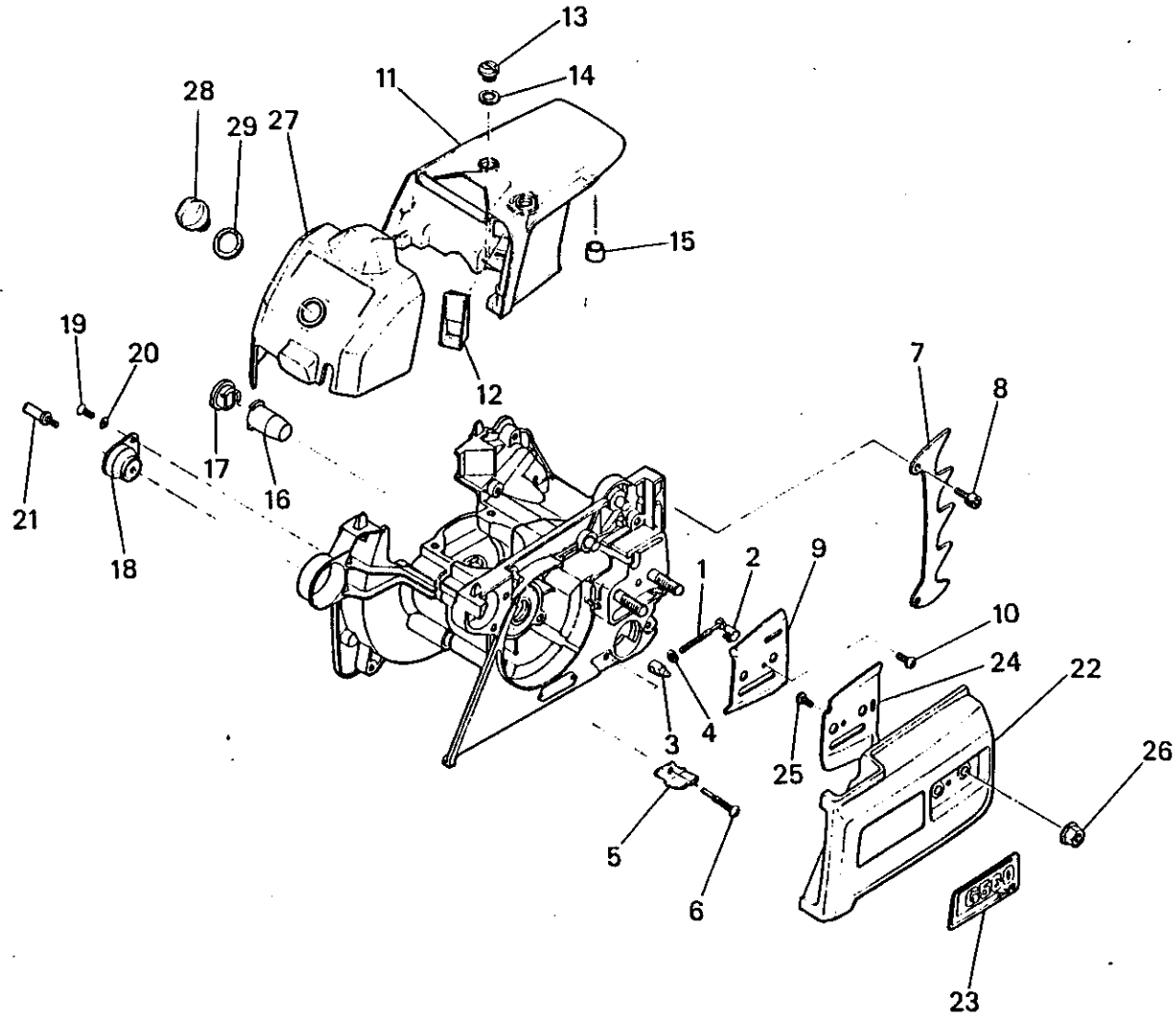
Key No.	Parts Number	Description	Q'ty	Rank	Remarks	Key No.	Parts Number	Description	Q'ty	Rank	Remarks
3-1	3356-32111	HANDLE, left	1	••			3350-34400	CAP, fuel tank ASSY	1	•••	
-2	3356-32210	SCREW	4	•	5×20 l	3-26	☆	• CAP, fuel tank	1		☆3350-34400
	3356-33000	HANDLE ASSY, right	1	•		-27	☆	• CHAIN, tank cap	1		☆3350-34400
-3	3356-33100	• HANDLE COMP, right	1	•		-28	☆	• STOPPER	1		☆3350-34400
-4	3350-33220	• PLATE	1	•		-29	☆	• SCREW	1		☆3350-34400
-5	3330-33250	• STOPPER	1	•		-30	3350-34450	• GASKET	1	•••	
-6	3310-33262	• SPRING	1	•		-31	3356-82410	ROD, throttle	1	•	
-7	3310-33271	• KNOB	1	•			3350-34500	BREATHER ASSY	1	••	
-8	3356-33311	• LEVER, throttle	1	••		-32	3317-86100	• BREATHER ASSY	1	•	
-9	3356-33320	• SPRING, throttle	1	••		-33	3350-34540	• PIPE	1	••	
-10	04025-00524	• PIN	1	•							
-11	3350-34210	• LEVER, switch	1	•							
-12	3350-34230	• PIN	1	•							
-13	3356-34220	• SPRING, switch	1	•							
-14	3356-34110	• COVER, grip	1	•							
-15	3356-33350	• ARM	1	••							
-16	3356-32210	• SCREW	1	•	5×20 l						
	3356-34300	FUEL PIPE ASSY	1	••							
-17	3356-34310	• PIPE	1	••							
-18	3356-34320	• GROMMET	1	••							
-19	1260-85460	• CLIP	1	••							
	3306-85400	• FILTER ASSY	1	•••							
-20	☆	•• BODY, filter	1		☆3306-85400						
-21	☆	•• SCREEN	1		☆3306-85400						
-22	☆	•• RING	1		☆3306-85400						
-23	☆	•• SLEEVE	1		☆3306-85400						
-24	☆	•• FILTER	2		☆3306-85400						
-25	☆	•• CLIP	1	•							

Fig. 4 OIL FEED-CLUTCH-BRAKE SYSTEM



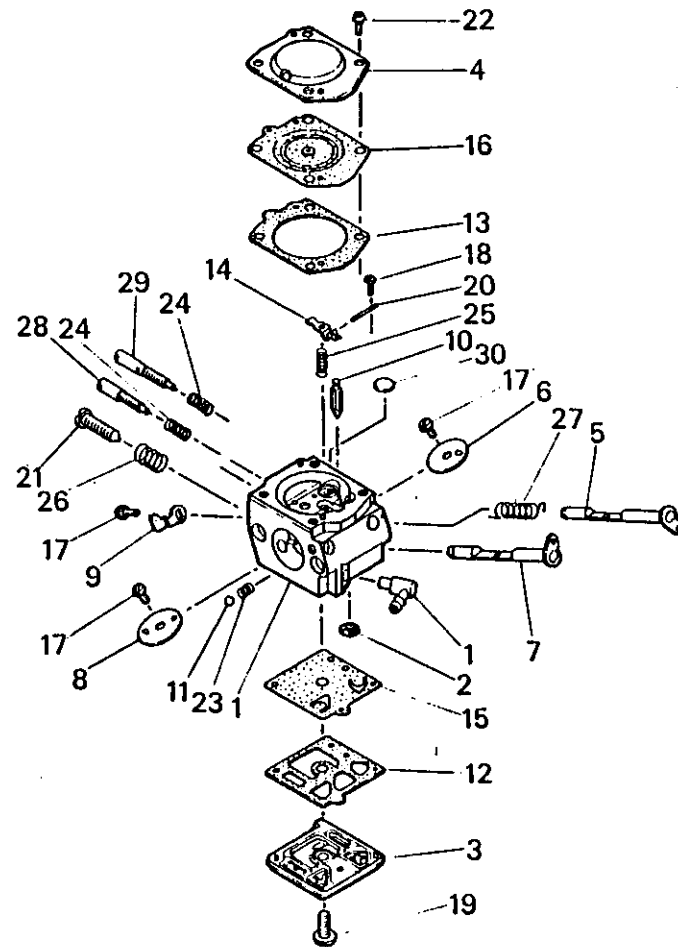
Key No.	Parts Number	Description	Q'ty	Rank	Remarks	Key No.	Parts Number	Description	Q'ty	Rank	Remarks
	3356-23100	OIL PIPE COMP	1	•		4-27	3356-24220	STOPPER, brake	1	•	
4- 1	3356-23110	• PIPE, oil	1	••		-28	3356-24230	SPRING, brake	1	•	
- 2	07000-01008	• O-RING	1	••		-29	3356-24240	SPRING	1	•	
- 3	3310-57312	• PIPE	1	•		-30	0308-00060	RING	2	••	
- 4	3310-57412	• WEIGHT	1	••		-31	3356-24410	COVER, brake	1	••	M5×14 /
- 5	3310-57511	• CLIP	2	•		-32	0263-60514	SCREW	2	•	
- 6	3356-23210	PIPE, oil	1	••		-33	3356-24311	GUARD	1	•	
	3356-55100	OIL PUMP ASSY	1	••		-34	0263-90514	SCREW	1	•	M5×14 /
- 7	3356-55110	• BODY, oil pump	1	••		-35	3356-75710	SCREW	1	•	
- 8	3356-55120	• WORM	1	••							
- 9	3356-55310	GASKET, oil pump	1	•••							
-10	0263-90520	SCREW	3	•	M5×20 /						
-11	3356-55450	GROMMET, oil pump	1	•							
-12	3356-55510	SHAFT, oil adjust	1	•							
	3356-51200	CLUTCH ASSY	1	••							
-15	☆	• SHOE, clutch	2		☆3356-51200						
-16	3356-51230	• SPRING, clutch	2	••							
-17	☆	• BOSS, clutch	1		☆3356-51200						
-18	3356-51110	DRUM, clutch	1	•••							
-19	3320-41410	BEARING, needle	1	••							
-20	3356-51320	WASHER	1	••							
-21	3310-43220	NUT	1	••							
	3356-24100	BRAKE BAND COMP	1	•							
-22	3356-24110	• BAND, brake	1	•							
-23	3356-24120	• ARM, brake	1	•							
-24	04025-00408	• PIN	1	•							
-25	3356-24140	ROLLER	1	•							
-26	3356-24210	LEVER, brake	1	•							

Fig. 5 AV SYSTEM COVERS



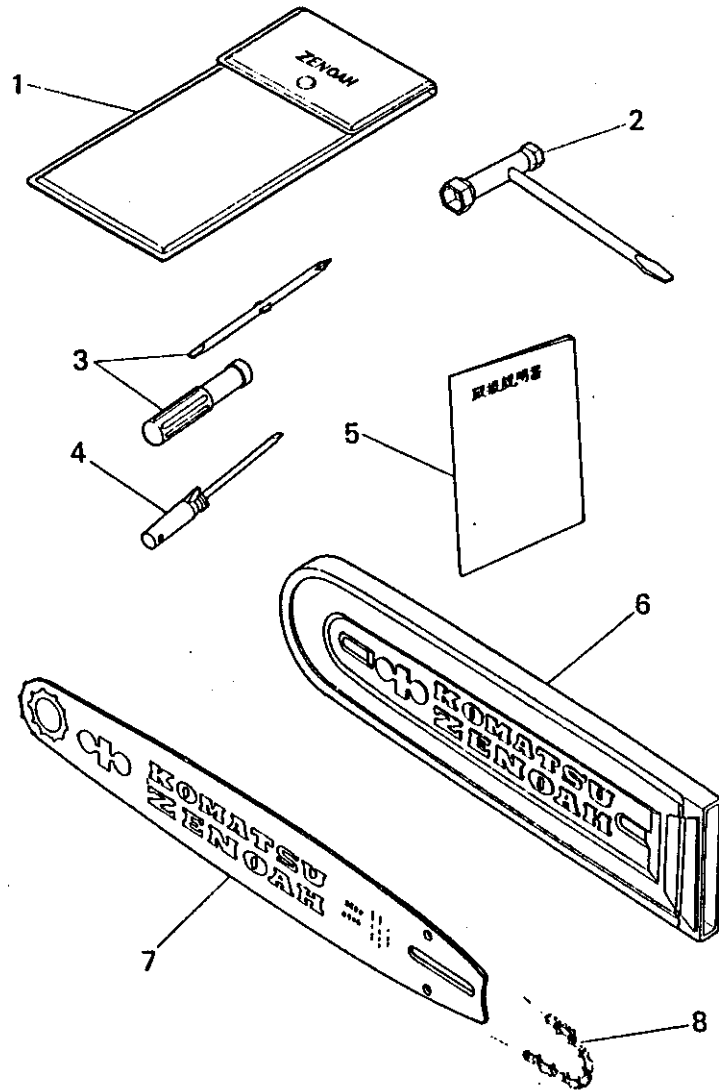
Key No.	Parts Number	Description	Q'ty	Rank	Remarks	Key No.	Parts Number	Description	Q'ty	Rank	Remarks
5- 1	3350-25110	SCREW, chain adjust	1	••		5-26	3350-53410	NUT, chain cover	2	••	
- 2	3350-25121	STOPPER, adjust screw	1	•••			3356-83300	COVER COMP	1	••	
- 3	3320-21191	NUT-A	1	••		-27	3356-83310	• COVER, air cleaner	1	••	
- 4	01641-20508	WASHER	1	•		-28	3356-83320	• KNOB, cleaner cover	1	••	
- 5	3356-25210	CATCHER, chain	1	•••		-29	3356-83330	• GASKET, knob	1	••	
- 6	3330-33530	BOLT	1	•							
- 7	3350-25310	BUMPER, spike	1	•							
- 8	3350-15250	BOLT	2	•	M5×16 l						
- 9	3356-53210	PLATE, inner	1	•••							
-10	0261-00410	SCREW	1	•	4×10 l						
	3356-31100	COVER COMP	1	•							
-11	3356-31110	• COVER, cylinder	1	•							
-12	3350-31120	• CAP, cylinder cover	1	••							
-13	3356-31130	• NUT	1	•							
-14	3356-31140	• PLATE	1	•							
-15	3356-31150	• PIPE	1	••							
-16	3356-35110	DAMPER, front	2	•••							
-17	3356-35120	CAP	2	•••							
-18	3356-35150	DAMPER, rear	2	•••							
-19	0262-10514	SCREW	4	••							
-20	3320-14140	WASHER	4	••							
-21	3356-35170	BOLT	2	••							
	3356-53000	CHAIN COVER ASSY	1	••							
	☆	• CHAIN COVER COMP	1		☆3356-53000						
-22	☆	••COVER, chain	1	•	☆3356-53000						
-23	3356-53120	••LABEL	1	••							
-24	3356-53220	• PLATE, outer	1	•••							
-25	0277-10410	• SCREW	1	•	4×10 l						

Fig. 6 CARBURETOR



Key No.	Parts Number	Description	Q'ty	Rank	Remarks	Key No.	Parts Number	Description	Q'ty	Rank	Remarks
	3356-81000	CARBURETOR ASSY	1	••	WALBRO HDA	6-26	3350-81380	• SPRING, idle speed	1	•	
6-1	☆	• BODY ASSY	1		☆3356-81000	-27	3350-81391	• SPRING, throttle return	1	•	
-2	3306-81380	• SCREEN, inlet	1	••		-28	3356-81410	• NEEDLE, high speed	1	•	
-3	3350-81130	• COVER, pump	1	•		-29	3356-81420	• NEEDLE, low speed	1	••	
-4	3350-81140	• COVER, diaphragm	1	•		-30	☆	PLUG	1	••	☆3356-81000
-5	3350-81150	• SHAFT, throttle ASSY	1	•							
-6	3302-81340	• VALVE, throttle	1	•							
-7	3356-81170	• SHAFT, choke ASSY	1	•							
-8	1491-81180	• VALVE, choke	1	•							
-9	3350-81190	• STOP, throttle	1	•							
-10	1491-81310	• VALVE, inlet	1	•••							
-11	3350-81220	• BALL, friction	1	•							
-12	3350-81230	• GASKET, pump	1	•••	K-2						
-13	3350-81240	• GASKET, diaphragm	1	•••	K-2						
-14	3350-81250	• LEVER, metering	1	•							
-15	3350-81260	• DIAPHRAGM, pump	1	•••	K-3						
-16	3350-81270	• DIAPHRAGM ASSY	1	•••	K-3						
-17	3310-81360	• SCREW, valve	3	•							
-18	3310-81240	• SCREW, metering lever	1	•							
-19	1491-81130	• SCREW, pump cover	1	•							
-20	3310-81250	• PIN, metering lever	1	•							
-21	3350-81330	• SCREW, idle speed	1	•							
-22	3310-81351	• SCREW ASSY	4	•							
-23	3350-81350	• SPRING, friction	1	•							
-24	3310-81160	• SPRING, needle	2	•							
-25	3350-81370	• SPRING, metering lever	1	•							

Fig. 7 STANDARD ACCESSORIES



Key No.	Parts Number	Description	Q'ty	Rank	Remarks	Key No.	Parts Number	Description	Q'ty	Rank	Remarks
	3356-91000	TOOL SET	1	•							
7- 1	1820-91111	• BAG	1	•							
- 2	3320-91140	• WRENCH	1	•••							
- 3	1030-91340	• DRIVER	1	•							
- 4	3350-91150	• DRIVER	1	•••							
- 5	3356-93110	MANUAL	1	• •							
- 6	3356-97110	PROTECTOR	1	•••							
- 7	3663-52110	BAR 16 inch	1	•••							
	3664-52110	BAR 18 inch	1		OP						
	3662-52110	BAR 13 inch	1		OP						
- 8	3663-52210	CHAIN, for 16 inch bar	1	•••	OREGON 21AP-68E						
	3664-52210	CHAIN, for 18 inch bar	1	•••	OP OREGON 21AP-74E						
	3611-52210	CHAIN, for 13 inch bar	1	•••	OP OREGON 21AP-60E						

Fig. 8 SPECIAL TOOLS

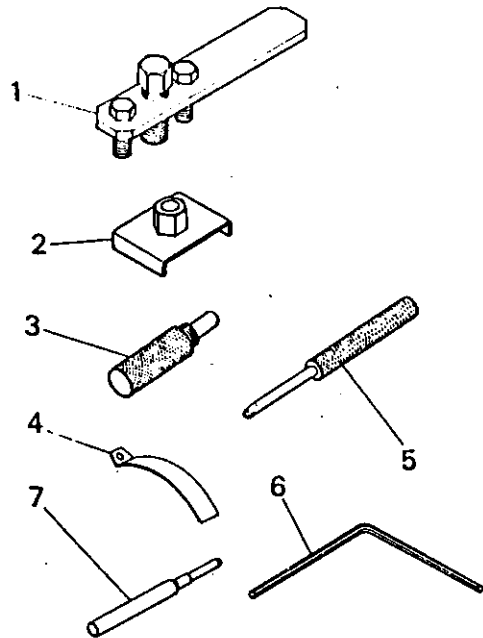
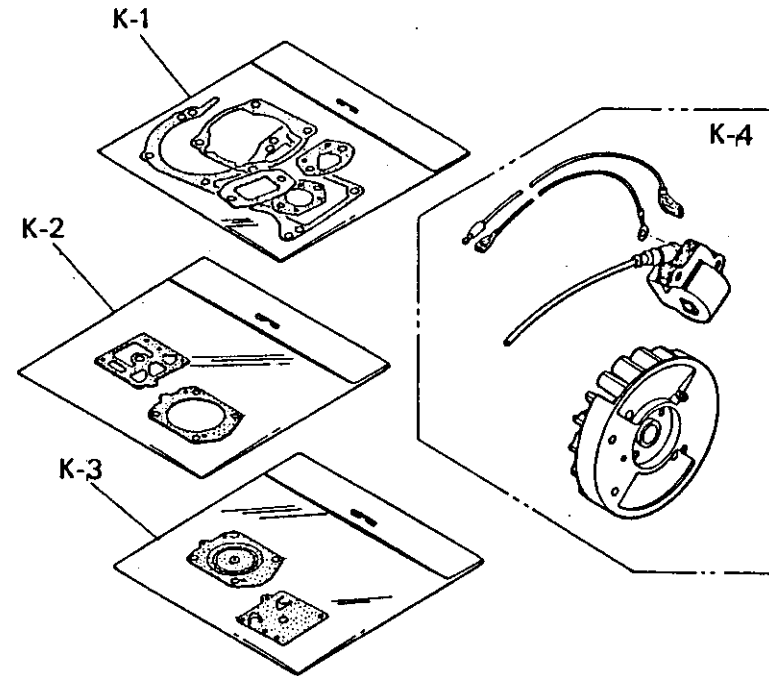


Fig. 9 REPAIR KIT PARTS



Key No.	Parts Number	Description	Q'ty	Rank	Remarks	Key No.	Parts Number	Description	Q'ty	Rank	Remarks	
8-1	3356-96000	SPECIAL TOOL KIT	1		OP	9-K-1	3356-06010	GASKET KIT	1	●●●	OP FOR ENGINE	
	3310-96100	• PULLER, rotor ASSY	1		OP		3356-14110	• GASKET, insulator	1			
	1075-96110	• PULLER	1		OP		3356-14130	• GASKET, carburetor	1			
	1075-96120	• BOLT	1		OP		3356-14210	• GASKET, cylinder base	1			
	3310-96130	• BOLT	2		OP		3356-15210	• GASKET, muffler	1			
	- 2	3356-96210	• WRENCH, clutch	1			OP	3356-21310	• GASKET, crankcase	1		
	- 3	3350-96220	• STOPPER, piston	1			OP					
- 4	3350-96240	• GAUGE, airgap	1		OP							
- 5	3350-96510	• GUIDE, brake spring	1		OP	9-K-2	3350-06020	GASKET KIT	1	●●●	OP FOR CARBUETOR	
- 6	3330-97210	• WRENCH	1		OP		3350-81230	• GASKET, pump	1			
- 7	3350-96230	• GUIDE, piston pin	1		OP		3350-81240	• GASKET, diaphragm	1			
						9-K-3	3350-06030	DIAPHRAGM KIT	1	●●●	OP FOR CARBUETOR	
							3350-81260	• DIAPHRAGM, pump	1			
							3350-81270	• DIAPHRAGM ASSY	1			
						9-K-4	3356-71000	MAGNETO KIT	1	•	OP	
							3356-71110	• ROTOR	1	•		
							3356-71200	• COIL COMP	1	••		
							3356-71310	• CORD, switch	1	••		
							3356-71320	• CORD, earth	1	••		