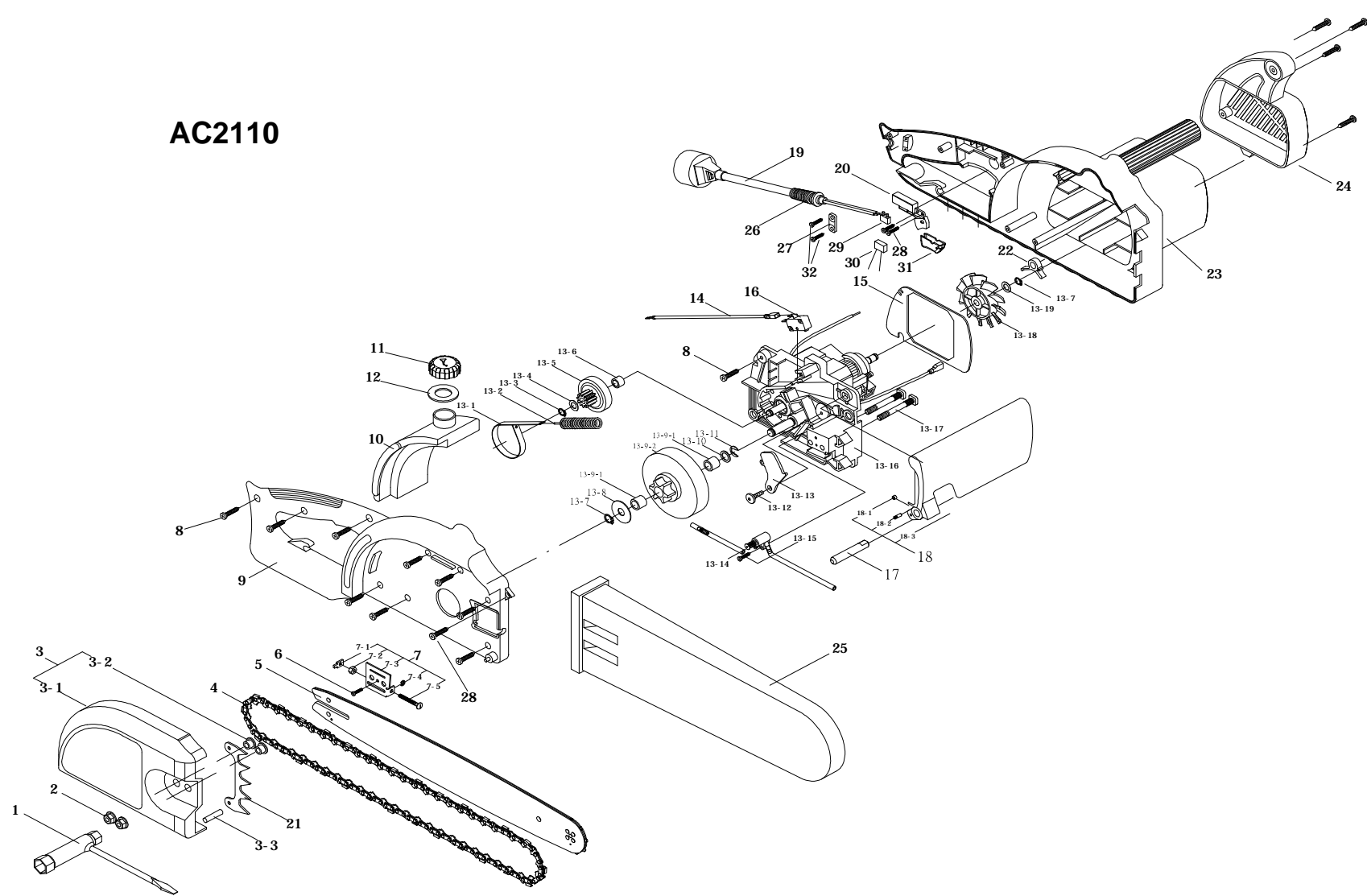


AC2110



No.	Parts No.	Description	Q	No.	Parts No.	Description	Q
1	9042-310101	HANDING BAR	1	13-10	6057-210102	WASHER	1
2	6NHZ-1/4	NUT	1	13-11	6CY-08	C RING	1
3	6228-211101	COVER ASS'Y	1	13-12	6214-210106	SCREW	1
3-1	6017-211101	COVER	1	13-13	6043-210101	BREAK PLATE	1
3-2	6155-210101	BUSHING	2	13-14	6228-211102	OIL PUMP ASS'Y	1
3-3	6PC05-18	PIN	1	13-15	6SDABB3.5-18	SCREW	1
4	LIST 1	CHAIN	1	13-16	6099-	MOTOR	1
5	LIST 2	BAR	1	13-17	6191-210101	SCREW	2
6	6SDABB03-15	SCREW	1	13-18	6169-210101	COOLING FAN	1
7	6228-210103	CHAIN ADJUSTMENT ASS'Y	1	13-19	6057-210101	WASHER	1
7-1	6200-210101	NUT	1	14	6010-211102	CORD ASS'Y	1
7-2	6200-210103	NUT	1	15	6263-211101	ISOLATION	1
7-3	6043-210102	ADJUSTMENT PLATE	1	16	6022-211002	SWITCH	1
7-4	6CE-03	E RING	1	17	6173-211101	BREAK SPINDLE	1
7-5	6214-210101	SCREW	1	18	6228-211103	GUARD ASS'Y	1
8	6SDABB04-18	SCREW	14	18-1	6124-210101	BUSHING	1
9	6038-211103	HOUSING (R)	1	18-2	6115-210101	PIN	1
10	6066-211101	OILER TANK	1	18-3	6017-211102	GUARD ASS'Y	1
11	6017-211103	OILER CAP	1	19	6011-211102	POWER CORD	1
12	6012-211101	RUBBER GASKET	1	20	6228-211110	SWITCH ASS'Y	1
13	6228-211107	MOTOR AND GEARBOX ASS'Y	1	21	6043-211101	PLATE	1
13-1	6079-210101	STRIP STEEL	1	22	6173-210103	ACTUATOR, MICRO SWITCH	1
13-2	6024-210101	SPRING	1	23	6038-211104	HOUSING (L)	1
13-3	6057-210104	C RING	1	24	6086-211101	HOUSING MOTOR	1
13-4	6057-210103	WASHER	1	25	LIST 3	BAR COVER	1
13-5	6073-210101	GEAR	1	26	6059-855001	CORD GUARD	1
13-6	6059-210201	BUSHING	1	27	6043-840001	STRAIN RELIEF	1
13-7	6CC-10	C RING	2	28	6SDABB04-10	SCREW	3
13-8	6014-210101	WASHER	1	29	6041-840001	TERMINAL	1
13-9	6228-210104	GEAR ASS'Y	1	30	6153-850001	CAPACITOR	1
13-9-1	6NR-HK1012	BEARING	2	31	6056-211101	SWITCH BUTTON	1
13-9-2	6073-210102	GEAR	1	32	6SDABB04-14	SCREW	2

LIST 1

LIST 3

No.	Parts No.	Description	No.	Parts No.	Description
1	9220-310102	14" CHAIN	1	6101-210505	14" BAR COVER
2	6220-210201	16" CHAIN	2	6101-210506	16" BAR COVER

LIST 2

No.	Parts No.	Description
1	6040-210103	14" BAR
2	9040-310105	16" BAR

REVISION

DATE

apr-02