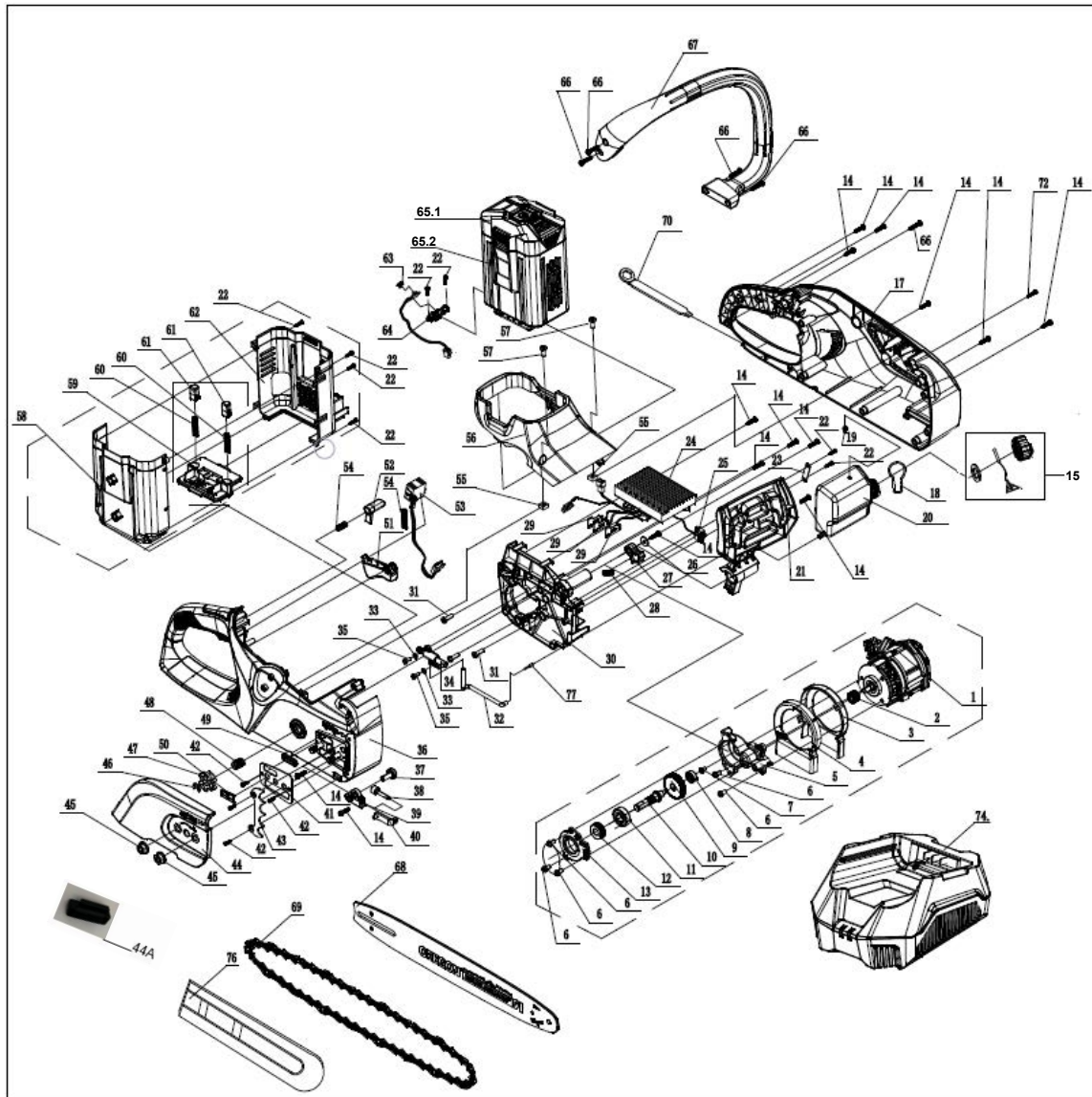


Model: CSZ 5800

Part Number: 90070047

Year: 2019



POS	QTY	PARTNUMBER	BESKRIVELSE	DESCRIPTION
1	1	441894	MOTOR	C501 MOTOR
2	1	441895	GEAR	C501 13 TEETH GEAR
3	1	441896	HOLDER	C501 AIR DIRECTOR A
4	1	441897	HOLDER	C501 AIR DIRECTOR B
5	1	441898	GEARKASSE	C501 GEAR CASE
6	5	441899	BOLT 5X10	SCREW M5*10
7	1	441900	BOLT 5X8	SCREW M5*8
8	1	441901	LEJE 606-2RS	606-2RS BEARING
9	1	441902	GEAR	C501 36 TEETH GEAR
10	1	441903	AKSEL	C501 OUTPUT SHAFT
11	1	441904	LEJE 6001	6001-2RS BEARING
12	1	441905	GEAR	C501 WORM
13	1	441906	COVER	C501 GEAR CASE COVER
14	14	441667	SKRUE ST3,9X16	SCREW ST3.9*16
15	1	441907	OLIELÅG KOMPLET	OIL POT CAP ASSY
16	1	441872	PAKNING	C501 GASKET
17	1	441908	COVER	C501 LEFT COVER
18	1	441909	PAKNING	C501 OIL TANK SEAL
19	1	441910	VENTIL	C501 BREATHER
20	1	441911	TANK	C501 OIL POT
21	1	441912	SIKKERHEDS HÅNDTAG	C501 FRONT HAND GUARD
22	8	441741	SKRUE ST.2,9X12	SCREW ST2.9X12
23	1	441913	BESLAG	C501 SWITCH PLATE
24	1	441914	STYREBOKS	C501 CONTROLLER
25	1	441915	KONTAKT	C501 MICRO SWITCH
26	1	441916	SKIVE	C501 WASHER
27	1	441917	BLOK	C501 SKIP BLOCK
28	1	441918	FJEDER	C501 BRAKE SPRING
29	3	441656	STIK	C501 PLUG
30	1	441919	MONTERINGSPLADE	C501 MOTOR MOUNTING PLATE
31	3	441920	BOLT M5X16	SCREW M5*16
32	1	441921	OLIESLANGE	C501 OIL PIPE
33	2	441922	SKIVE	WASHER
34	1	441923	OLIEPUMPE	C501 OIL PUMP
35	2	441924	BOLT M4X10	SCREW M4*10
36	1	441925	COVER	C501 RIGHT COVER
37	1	441926	GEAR	C501 TENSION GEAR
38	1	441927	JUSTERSTYKKE	C501 ADJUSTMENT LEVER
39	1	441928	GEAR SÆDE	C501 TENSION GEAR SEAT
40	1	441929	PIND	C501 TENSION PIN
41	1	441930	COVER	C501 TENSION COVER
42	2	441931	SKRUE 3,9X16	SCREW ST3.9*16
43	1	441932	BARKSTED	C501 SPIKED BUMPER
44	1	441933	COVER	C501 RIGHT PLASTIC COVER
44A	1	444076	PROP	PLUG
45	2	441934	SKRUE	7500 SCREW M8
46	1	441867	LÅS	Ø7 CIRCLIP
47	1	441868	KÆDEHJUL	C501 CHAIN WHEEL
48	1	441869	FJEDER	C501 TENSION SPRING
49	1	441935	PAKNING	C501 OIL OUTLET RUBBER

POS	QTY	PARTNUMBER	BESKRIVELSE	DESCRIPTION
50	1	441936	SKIVE	C501 RUBBER PLATE
51	1	441937	TRIGGER	C501 TRIGGER
52	1	441938	KONTAKT	C501 RESET BUTTON
53	1	441939	KONTAKT HASTIGHED	C501 SPEED-CONTROL SWITCH
54	2	441662	STOP FJEDER	C501 RESET SPRING
55	2	441940	MØTRIK M5	C501 NUT M5
56	1	441941	COVER	C501 TOP COVER
57	2	441877	BOLT M5X12	SCREW M5*12
58	1	441942	DÆKSEL	C501 BATTERY BUNKER A
59	1	441655	BATTERIKONSOL	C501 BATTERY BUNKER SOCKET
60	2	441657	FJEDER	B521 BATTERY BUNKER SPRING
61	2	441658	SELVLÅSENDE KONTAKT	C501 BATTERY PACK RESET PILLAR
62	1	441943	DÆKSEL	C501 BATTERY BUNKER B
63	1	441944	STIK	B521 BUTTON
64	1	441944	STIK	B521 BUTTON
65.1	1	90070051	BATTERI 58V/2.0AH	BATTERY
65.2	1	90070052	BATTERI 58V/4.0AH	BATTERY 58V/4.0AH
66	5	441945	SKRUE 3,9X20	SCREW ST3.9*20
67	1	441946	HÅNDTAG	C501 HANDLE
68	1	441947	SVÆRD	OREGON GUIDE BAR (180SDEA041)
69	1	441948	SAVKÆDE 91P062X	OREGON CHAIN
70	1	441949	NØGLE	C501 SPANNER
71	3	441950	KABELHOLDER	CABLE TIE 3*100
72	1	441791	SKRUE ST2,9X16	SCREW ST2.9X16
73	1	441951	LÅG HOLDER	CAP LINK
74	1	90070054	LADER 58V	CHARGER
75	1	441952	OLIELÅG KOMPLET	C501 OIL POT CAP ASSY
76	1	441953	BESKYTTER KÆDE	GUIDE BAR COVER
77	1	441954	STUDS	SCREW