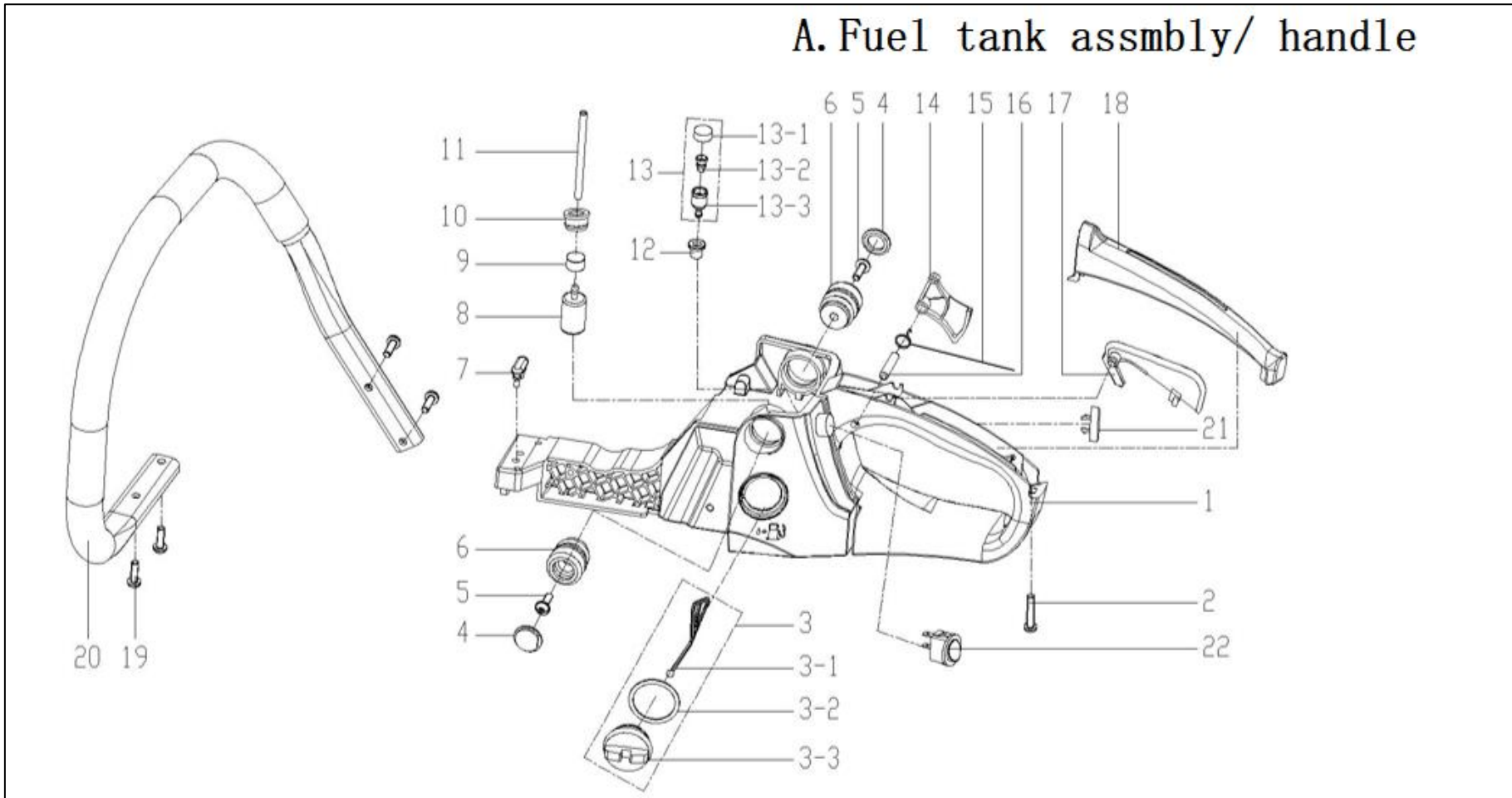
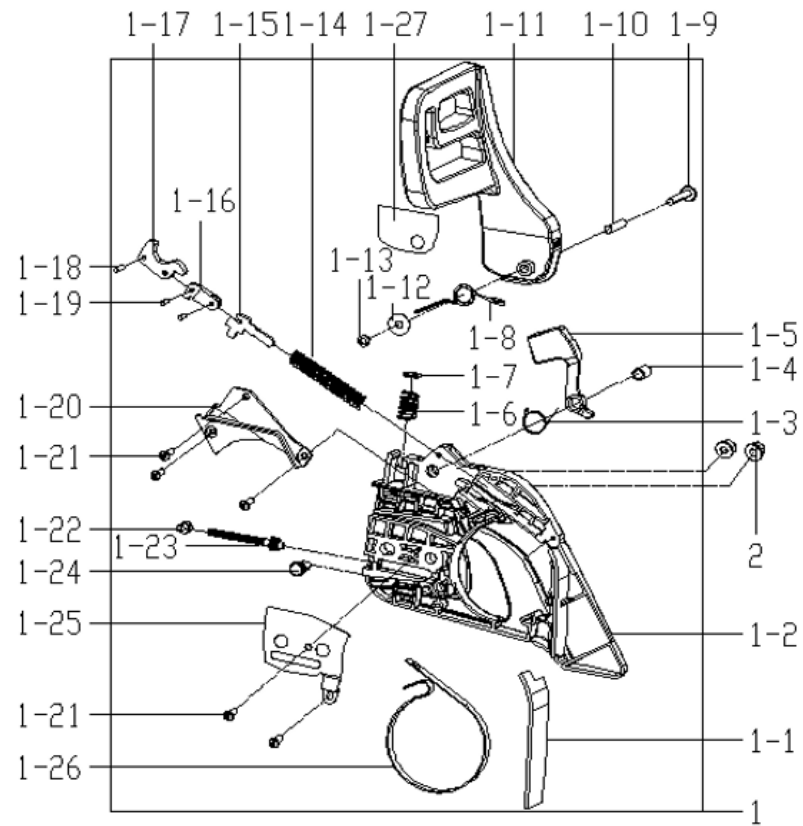


A. Fuel tank assmblly/ handle



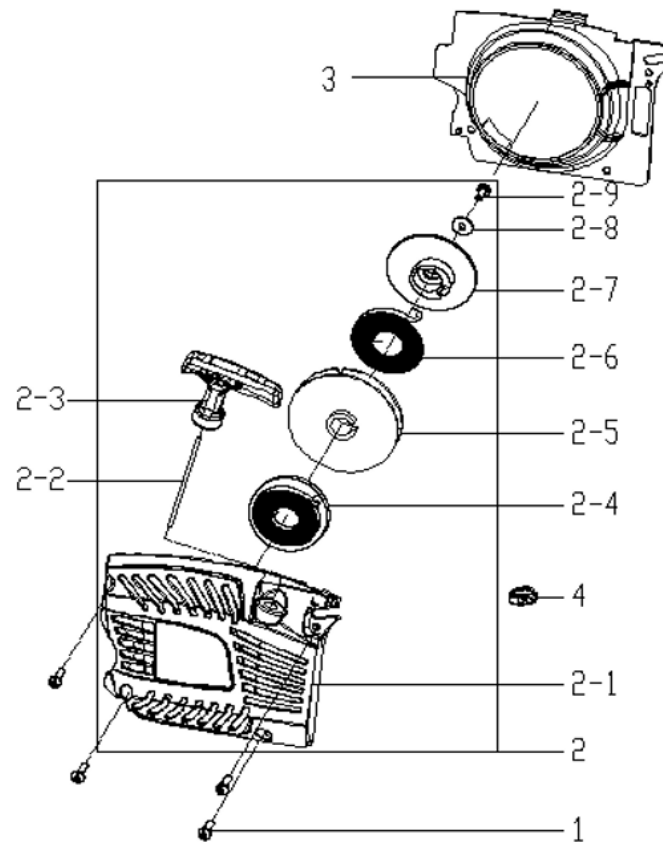
| POS | QTY | PARTNUMBER | BESKRIVELSE | DESCRIPTION |
|------|-----|------------|------------------------------|----------------------|
| A1 | 1 | 426259 | BRÆNDSTOFTANK | FUEL TANK |
| A2 | 1 | 426283 | SKRUE ST4.2X20 | SCREW ST4.2X20 |
| A3 | 1 | 451859 | BENZINLÅG KPL. | FUEL CAP ASSEMBLY |
| A3-1 | 1 | 426263 | BENZINDÆKSEL | PETROL LID |
| A3-2 | 1 | 426262 | SKUMELEMENT | PETROL LID |
| A3-3 | 1 | 426261 | HOLDER | PETROL LID |
| A4 | 2 | 426264 | STØVDÆKSEL | DUST CAP |
| A5 | 2 | 426265 | BOLT M5X16 | BOLT M5X16 |
| A6 | 2 | 426266 | GUMMIKLODS | RUBBER BLOCK |
| A7 | 1 | 426267 | GUMMIKLODS | RUBBER BLOCK |
| A8 | 1 | 426268 | BRÆNDSTOFFILTER | FUEL FILTER |
| A9 | 1 | 426269 | MELLEMSTYKKE | INTERMEDIATE PIECE |
| A10 | 1 | 426270 | HOLDER | HOLDER |
| A11 | 1 | 426271 | BRÆNDSTOFSLANGE 3X5X230MM | FUEL HOSE |
| A12 | 1 | 426272 | BASE | BALANCESHAFT |
| A13 | 1 | 426273 | BALANCEAKSEL KOMPLET | BALANCESHAFT KOMPLET |
| A14 | 1 | 426277 | GASGIVER | ACCELERATOR |
| A15 | 1 | 426278 | FJEDER | SPRING |
| A16 | 1 | 426279 | STIFT 6X24 | PIN 6X24 |
| A17 | 1 | 426281 | BESLAG | THROTTLING |
| A18 | 1 | 426282 | COVER | HANDLE COVER |
| A19 | 4 | 426284 | SKRUE ST4.8X14 | SCREW ST4.8X14 |
| A20 | 1 | 426285 | GREB | RING |
| A21 | 1 | 451860 | PRIMER | PRIMER |
| A22 | 1 | 451861 | KONTAKT | SWITCH |

B. Right side plate assembly



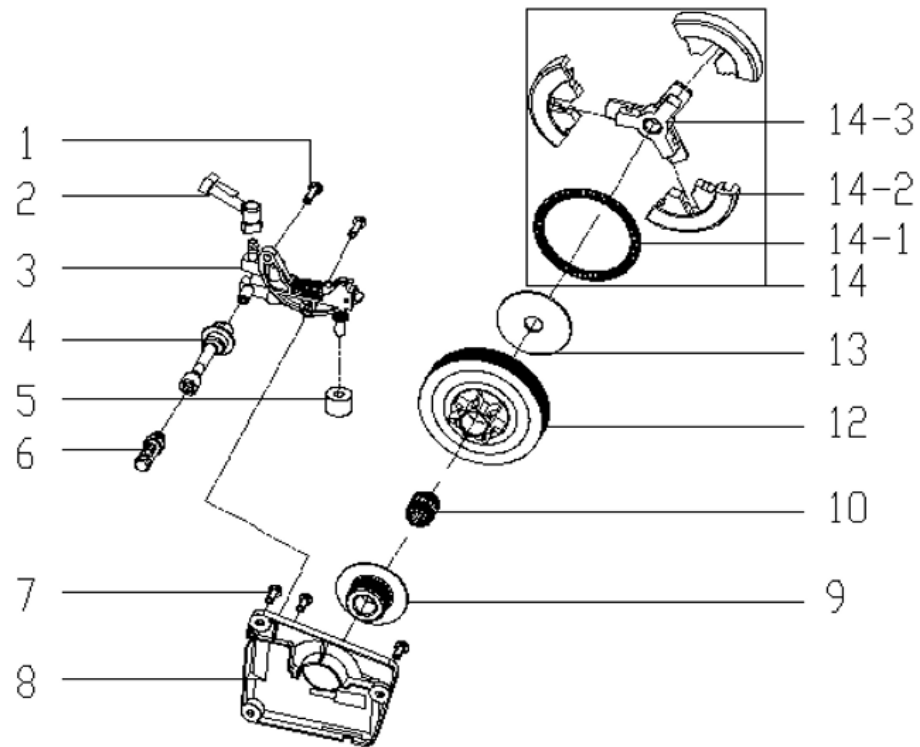
| POS | QTY | PARTNUMBER | BESKRIVELSE | DESCRIPTION |
|-------|-----|------------|------------------------|---------------------------|
| B1 | 1 | 451862 | COVER KPL. | RIGHT SIDE PLATE ASSEMBLY |
| B1-1 | 1 | 426315 | STØVDÆKSEL | DUST CAP |
| B1-2 | 1 | 426313 | COVER | RIGHT COVER |
| B1-3 | 1 | 434866 | FJEDER | TORSION SPRING 1 |
| B1-4 | 1 | 434867 | KRAVE | SLEEVE |
| B1-5 | 1 | 451863 | VÆGT | HEAVY PUNCH |
| B1-6 | 1 | 434869 | FJEDER | PRESSURE SPRING |
| B1-7 | 1 | 434870 | SKIVE | PRESSURE SPRING SEAT |
| B1-8 | 1 | 426305 | FJEDER | SPRING |
| B1-9 | 1 | 434871 | SKRUE M5X37.5 M5X37.5 | SCREW M5X37.5 |
| B1-10 | 1 | 434872 | BØS | BUSHING |
| B1-11 | 1 | 451864 | SIKKERHEDSBØJLE | FRONT GUARD |
| B1-12 | 1 | 426306 | SKIVE | WASHER |
| B1-13 | 1 | 451865 | MØTRIK M5 | NUT M5 |
| B1-14 | 1 | 426297 | BREMSEFJEDER I | SPRING I |
| B1-15 | 1 | 426296 | BREMSEBESLAG | ROD |
| B1-16 | 1 | 426295 | BESLAG II | BRACKET II |
| B1-17 | 1 | 426294 | BESLAG I | BRACKET I |
| B1-18 | 1 | 434881 | PIN 3X14 | ROUND PIN 3X14 |
| B1-19 | 2 | 426293 | STIFT 3X9 | PIN 3X9 |
| B1-20 | 1 | 426289 | BESLAG | BRACKET |
| B1-21 | 5 | 426286 | SKRUE ST4.2X10 | SCREW ST4.2X10 |
| B1-22 | 1 | 426292 | STRAMMEARM | TENSION LEVER |
| B1-23 | 1 | 426291 | GEAR | GEAR |
| B1-24 | 1 | 426290 | GEAR | GEAR |
| B1-25 | 1 | 434887 | COVER FOR KÆDESTRAMMER | COVER OF TENSIONER |
| B1-26 | 1 | 426314 | BREMSE | BRAKE |
| B1-27 | 1 | 434876 | ALUMINIUMS SKJOLD | ALUMINUM FOIL PAPER |
| B2 | 2 | 426309 | FLANGEMØTRIK M8 | NUT M8 |

C. Starter assembly



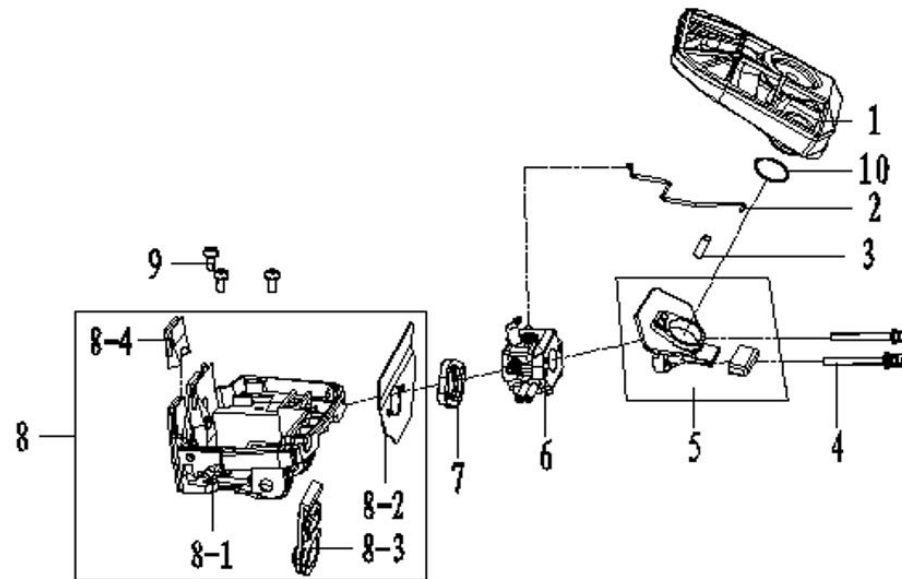
| POS | QTY | PARTNUMBER | BESKRIVELSE | DESCRIPTION |
|------|-----|------------|-------------------------------|-----------------------|
| C1 | 4 | 426316 | BOLT M5X16 | BOLT M5X16 |
| C2 | 1 | 426317 | REKYLSTARTER KOMPLET 2016+ | RECOILSTARTER ASSY |
| C2-1 | 1 | 426318 | DÆKSEL | LID |
| C2-2 | 1 | 426320 | STARTSNOR | STARTER CORD |
| C2-3 | 1 | 426321 | GREB | HANDLE |
| C2-4 | 1 | 426322 | STARTFJEDER | STARTER SPRING |
| C2-5 | 1 | 434890 | SPOLE | SPOOL |
| C2-6 | 1 | 434891 | FJEDER | ASSISTANT DISC SPRING |
| C2-7 | 1 | 426324 | STARTERTRISSE | STARTER SPOOL |
| C2-8 | 1 | 426325 | SKIVE | WASHER |
| C2-9 | 1 | 426326 | SKRUE ST4.8X13 | SCREW ST4.8X13 |
| C3 | 1 | 426327 | COVER | COOLING-AIR MASK |

D. Oil pump/clutch assembly



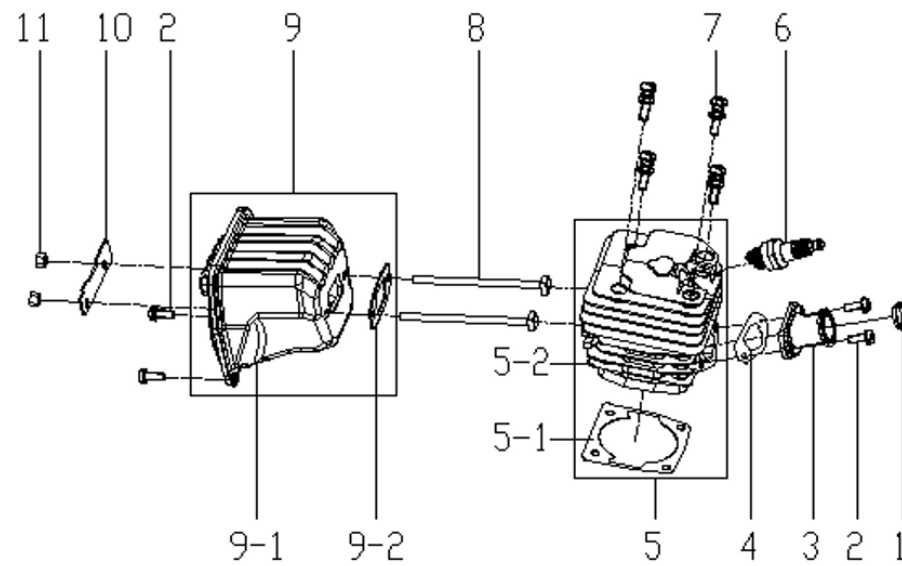
| POS | QTY | PARTNUMBER | BESKRIVELSE | DESCRIPTION |
|-----|-----|------------|------------------------|------------------------------|
| D1 | 2 | 426333 | BOLT M4X14 | BOLT M4X14 |
| D2 | 1 | 426332 | OLIEDYSE | OIL FILTER |
| D3 | 1 | 432964 | OLIE PUMPE | OIL PUMP |
| D4 | 1 | 426329 | LUFTFILTERELEMENT,SKUM | AIR FILTER ELEMENT |
| D5 | 1 | 426331 | OLIERØR | OIL TUBE |
| D6 | 1 | 426330 | OLIEFILTER | OIL FILTER |
| D7 | 3 | 426328 | BOLT M4X10 | BOLT M4X10 |
| D8 | 1 | 426334 | PLADE | PLATE |
| D9 | 1 | 426335 | KOBLINGSSKIVE | CLUTCH DISC |
| D10 | 1 | 426336 | NÅLELEJE 12X15X14.5 | NEEDLE BEARING 12X15X14.5 |
| D12 | 1 | 426337 | KOBLINGSTROMLE | CLUTCH CYLINDER |
| D13 | 1 | 426338 | KOBLINGSSKIVE | CLUTCH DISC |
| D14 | 1 | 426339 | KOBLING KOMPLET | CLUTCH KOMPLET |

E. Carburetor/air filter assembly



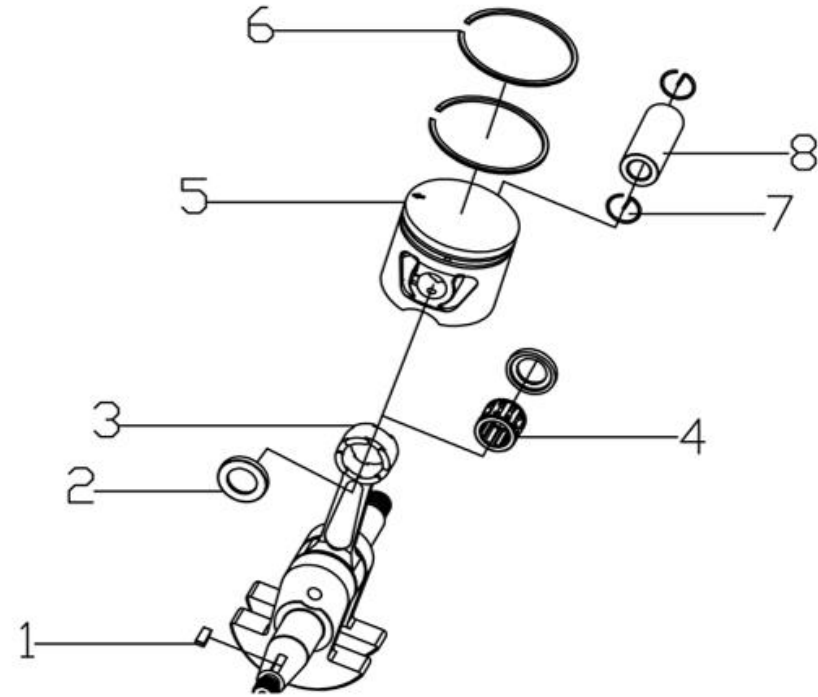
| POS | QTY | PARTNUMBER | BESKRIVELSE | DESCRIPTION |
|------|-----|------------|----------------------------|------------------------------|
| E1 | 1 | 426355 | LUFTFILTERELEMENT F/2 TAKT | AIR FILTER ELEMENT |
| E2 | 1 | 426353 | GASARM | THROTTLE LEVER |
| E3 | 1 | 426352 | BOLT M5X39 | BOLT M5X39 |
| E4 | 2 | 426351 | BOLT M5X52 | BOLT M5X52 |
| E5 | 1 | 426349 | LUFTINDTAG | AIR INTAKE |
| E6 | 1 | 426348 | KARBURATOR | CARBURETTOR |
| E7 | 1 | 426347 | INDSUGNINGSPAKNING | INTAKE SEAL |
| E8 | 1 | 451866 | BASE KPL. | HOT START REAR SEAT ASSEMBLY |
| E8-1 | 1 | 451867 | BASE | HOT START REAR SEAT |
| E8-2 | 1 | 426346 | PAKNING | GASKET |
| E8-3 | 1 | 451868 | STØVDÆKSEL | DUST GUARD |
| E8-4 | 1 | 451869 | VARMEISOLERINGSPLADE | HEAT INSULATION BOARD |
| E9 | 3 | 426345 | BOLT M5X12 | BOLT M5X12 |

F. Cylinder/ muffler assembly



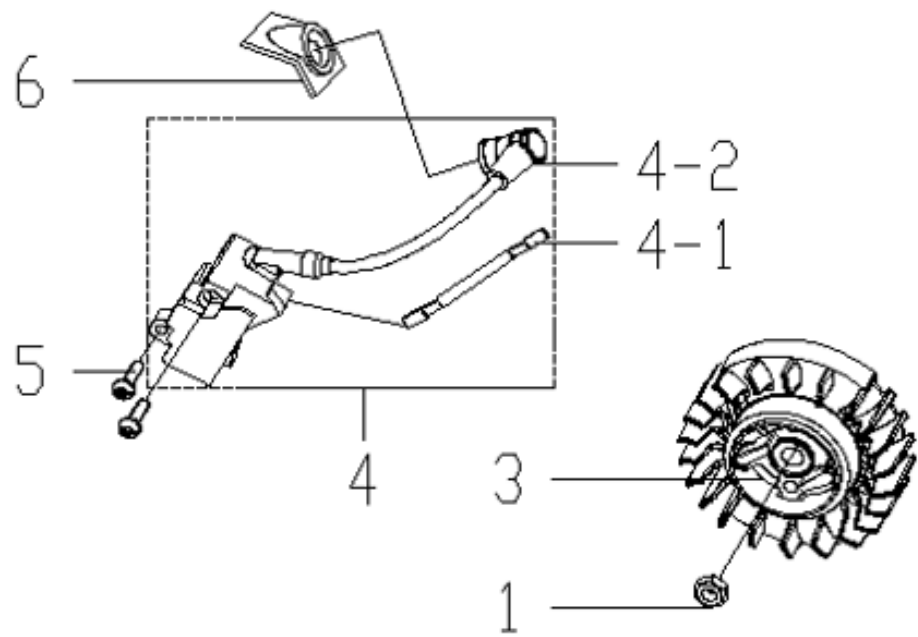
| POS | QTY | PARTNUMBER | BESKRIVELSE | DESCRIPTION |
|------|-----|------------|--|-------------------|
| F1 | 1 | 426356 | LÅSERING | LOCKING RING |
| F2 | 4 | 426345 | BOLT M5X12 | BOLT M5X12 |
| F3 | 1 | 426358 | INDSUGNINGSRØR | INTAKE PIPE |
| F5 | 1 | 451870 | CYLINDER KPL. | CYLINDER ASSEMBLY |
| F5-1 | 1 | 426361 | PAKNING | GASKET |
| F5-2 | 1 | 451882 | CYLINDER | CYLINDER |
| F6 | 1 | 426362 | TÆNDRØR BM6A | SPARK PLUGS BM6A |
| F7 | 4 | 426363 | UNBRAKOBOLT MED CYLINDERHOVED M5X20 | ALLEN BOLT M5X20 |
| F8 | 2 | 426364 | BOLT M5X84 | BOLT |
| F9 | 1 | 451872 | LYDDÆMPER KPL. | MUFFLER ASSEMBLY |
| F9-1 | 1 | 426365 | PAKNING | GASKET |
| F9-2 | 1 | 426366 | LYDDÆMPER | SILENCER |
| F10 | 1 | 426367 | DÆKSEL | LID |
| F11 | 2 | 426368 | MØTRIK M5 | NUT M5 |

G. Crankshaft connecting rod assembly/piston assembly



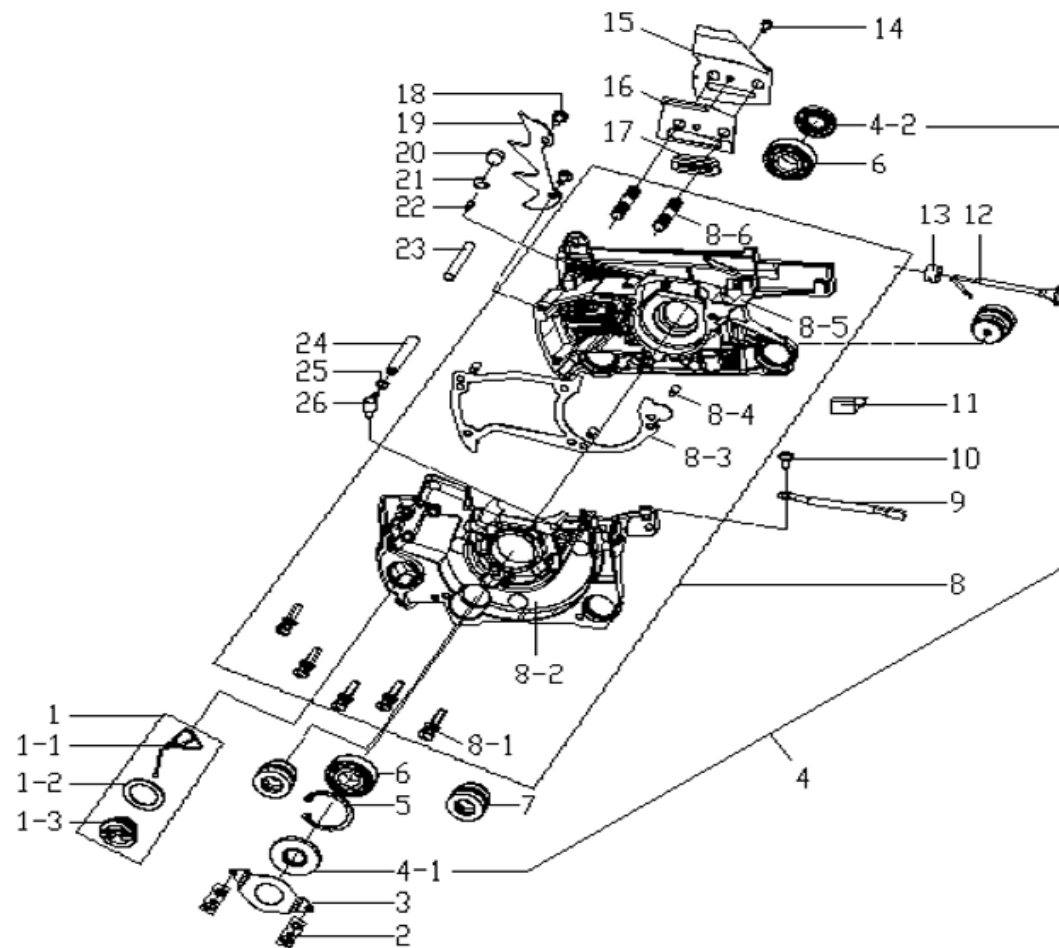
| POS | QTY | PARTNUMBER | BESKRIVELSE | DESCRIPTION |
|-----|-----|------------|-----------------------|---------------------------|
| G1 | 1 | 426369 | NOT | KEY |
| G2 | 2 | 426370 | NÅLELEJE RING | RING |
| G3 | 1 | 426371 | KRUMTAP MED PEJLSTANG | CRANK |
| G4 | 1 | 426372 | NÅLELEJE 11X15X12.5 | NEEDLE BEARING 11X15X12.5 |
| G5 | 1 | 451883 | STEMPEL | PISTON |
| G6 | 2 | 451884 | STEMPELRING | PISTON RING |
| G7 | 2 | 426375 | LÅSERING | LOCKING RING |
| G8 | 1 | 426376 | KRYDSPIND | CROSSHEAD TUBE |

H. Flywheel/ignition assembly



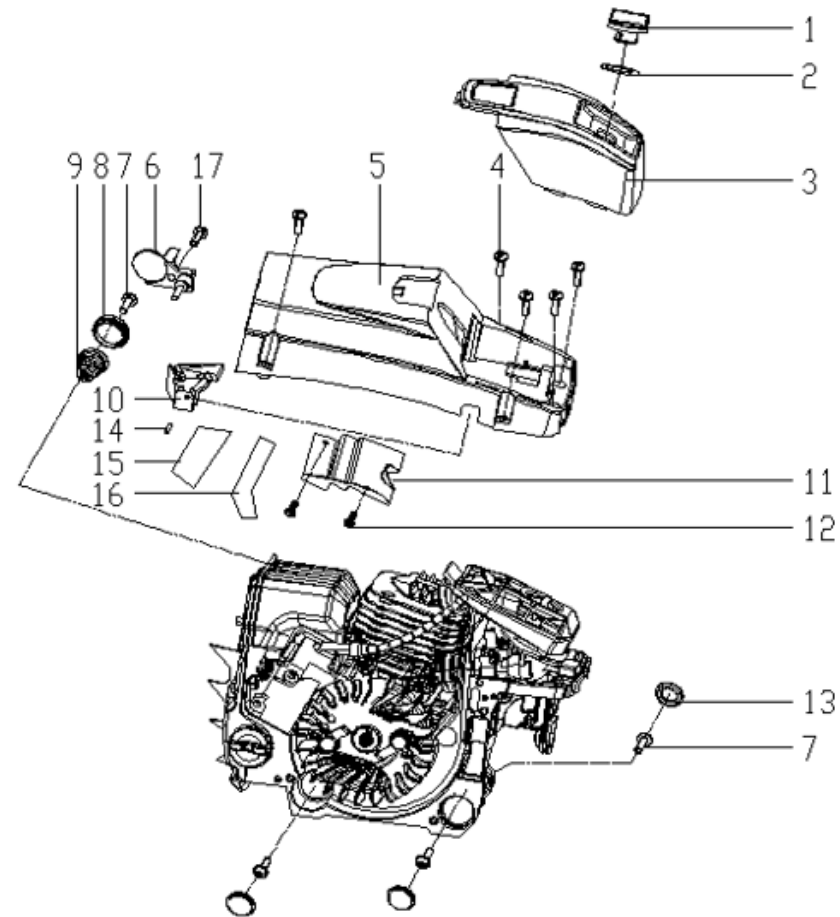
| POS | QTY | PARTNUMBER | BESKRIVELSE | DESCRIPTION |
|-----|-----|------------|---------------|----------------|
| H1 | 1 | 426379 | MØTRIK M8 | NUT M8 |
| H3 | 1 | 426377 | BLÆSEHJUL | FAN |
| H4 | 1 | 426382 | TÆENDSPOLE | IGNITION COIL |
| H5 | 2 | 426381 | BOLT M5X20 | BOLT M5X20 |
| H6 | 1 | 426383 | TÆNDRØRSHÆTTE | SPARK PLUG CAP |

J. Engine assembly



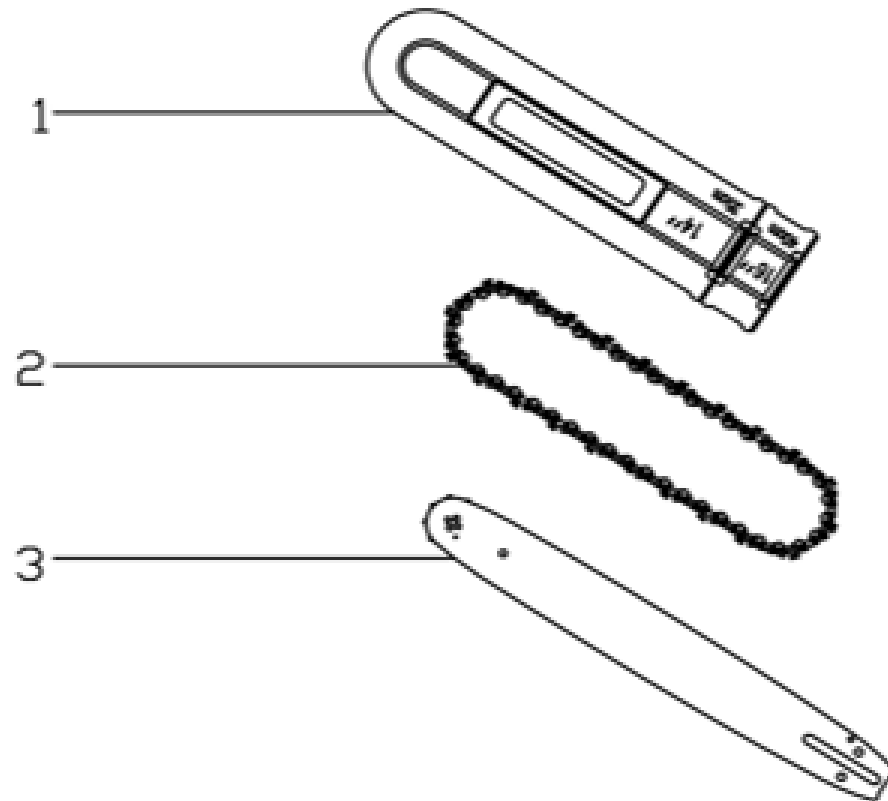
| POS | QTY | PARTNUMBER | BESKRIVELSE | DESCRIPTION |
|------|-----|------------|------------------------|-----------------------|
| J1 | 1 | 451875 | OLIEDÆKSEL KPL. | OIL CAP ASSEMBLY |
| J1-1 | 1 | 426387 | OLIEDÆKSEL | OIL CAP |
| J1-2 | 1 | 426386 | PAKNING | GASKET |
| J1-3 | 1 | 426261 | HOLDER | PETROL LID |
| J2 | 2 | 426389 | BOLT M4X8 | BOLT M4X8 |
| J3 | 1 | 426390 | BESLAG | BRACKET |
| J4 | 1 | 451876 | PAKDÅSE KPL. | OIL SEAL ASSEMBLY |
| J4-1 | 1 | 426391 | PAKDÅSE 15X35X5 | OIL SEAL 15X35X5 |
| J4-2 | 1 | 426404 | PAKDÅSE 15X28X5 | OIL SEAL 15X28X5 |
| J5 | 1 | 426392 | LÅSERING 35 | LOCKING RING 35 |
| J6 | 2 | 426393 | KUGLELEJE 15X35X11 | BALL BEARING 15X35X11 |
| J7 | 3 | 426388 | MEMBRAN | MEMBRANE |
| J8 | 1 | 451877 | KRUMTAPHUS KPL. | CRANKCASE ASSEMBLY |
| J8-1 | 5 | 426394 | BOLT M5X30 | BOLT M5X30 |
| J8-2 | 1 | 426395 | COVER VENSTRE | LEFT CRANKSHAFTCASE |
| J8-3 | 1 | 426417 | PAKNING | GASKET |
| J8-4 | 3 | 426416 | STIFT CYLINDRISK M5X10 | PIN M5X10 |
| J8-5 | 1 | 426415 | COVER VENSTRE | RIGHT CRANKSHAFTCASE |
| J8-6 | 2 | 434925 | PINBOLT M8X28 | DOUBLE-END BOLT |
| J9 | 1 | 434916 | KABEL | GROUND LINE |
| J10 | 1 | 451878 | SKRUE M5X16 | SCREW M5*16 |
| J11 | 1 | 426403 | MEMBRAN | MEMBRANE |
| J12 | 1 | 451879 | CHOKER STANG | CHOKER ROD |
| J13 | 1 | 426402 | GASGIVER | ACCELERATOR |
| J14 | 1 | 426328 | BOLT M4X10 | BOLT M4X10 |
| J15 | 1 | 426406 | SKJOLD | SHIELD PLATE |
| J16 | 1 | 426407 | PAKNING | PLATE |
| J17 | 1 | 426408 | KÆDEJUSTERING | CHAIN ADJUSTMENT |
| J18 | 2 | 426345 | BOLT M5X12 | BOLT M5X12 |
| J19 | 1 | 426411 | BARKSTED | BUMPER SPIKES |
| J20 | 1 | 426412 | GUMMIHÆTTE | RUBBER CAP |
| J21 | 1 | 426413 | SEEGERRING | RETAINER RING |
| J22 | 1 | 426414 | DYSE | NOZZLE |
| J23 | 1 | 434928 | DYSE | INSULATING SLEEVE |
| J24 | 1 | 426418 | RØR | TUBE |
| J25 | 1 | 426419 | SEEGERRING | RETAINER RING |
| J26 | 1 | 426420 | DYSE | NOZZLE |

K. Upper cover/air filter cover



| POS | QTY | PARTNUMBER | BESKRIVELSE | DESCRIPTION |
|-----|-----|------------|------------------|-----------------------|
| K1 | 1 | 426421 | LÅS | LOCK |
| K2 | 1 | 426422 | SKIVE | WASHER |
| K3 | 1 | 426423 | LUFTFILTERDÆKSEL | AIR FILTER CAP |
| K4 | 5 | 426316 | BOLT M5X16 | BOLT M5X16 |
| K5 | 1 | 426428 | DÆKSEL | LID |
| K6 | 1 | 426429 | BESLAG | BRACKET |
| K7 | 4 | 426284 | SKRUE ST4.8X14 | SCREW ST4.8X14 |
| K8 | 1 | 426431 | RING | RING |
| K9 | 1 | 426432 | FJEDER | SPRING |
| K10 | 1 | 426433 | GASREGULERING | THROTTLING |
| K11 | 1 | 434945 | GASREGULERING | BAFFLER |
| K12 | 2 | 434946 | SKRUEST 4.2X8 | SCREW ST 4.2X8 |
| K13 | 3 | 426264 | STØVDÆKSEL | DUST CAP |
| K14 | 1 | 451880 | STIFT | CARBURETOR T PIN PLUG |
| K15 | 1 | 434942 | VARMESKJOLD 1 | ALUMINUM FOIL PAPER 1 |
| K16 | 1 | 434943 | VARMESKJOLD 2 | ALUMINUM FOIL PAPER 2 |
| K17 | 1 | 426316 | BOLT M5X16 | BOLT M5X16 |

L. Bar cover/chain/bar



| POS | QTY | PARTNUMBER | BESKRIVELSE | DESCRIPTION |
|-----|-----|------------|-------------------------------------|-------------|
| L1 | 1 | 426435 | BESKYTTELSE 18"/45CM | GUARD |
| L2 | 1 | 40-213 | TEX-KÆDE 213 0.325" 72 LED 1,5MM | TEX-CHAIN |
| L3 | 1 | 426436 | SVÆRD 18" | GUIDE BAR |