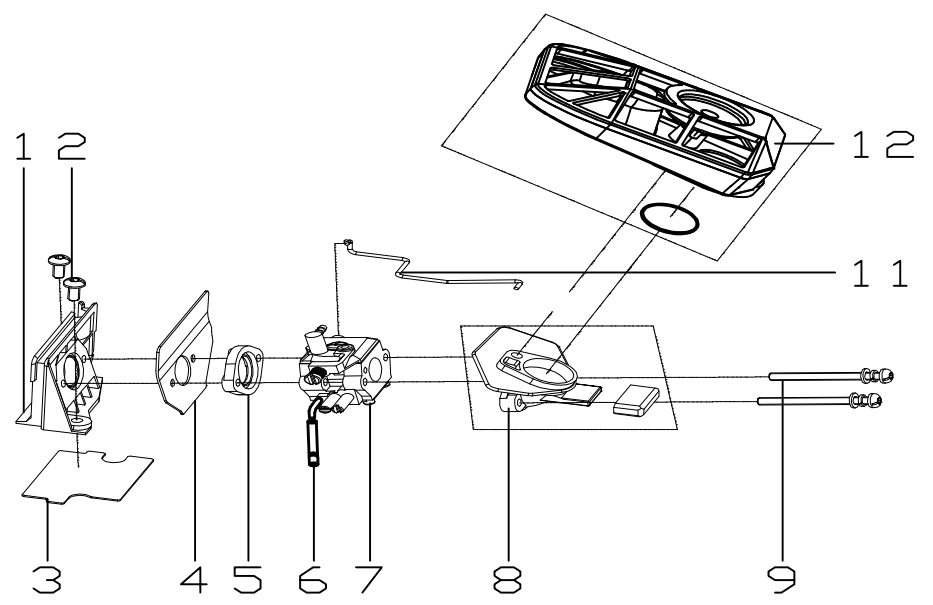
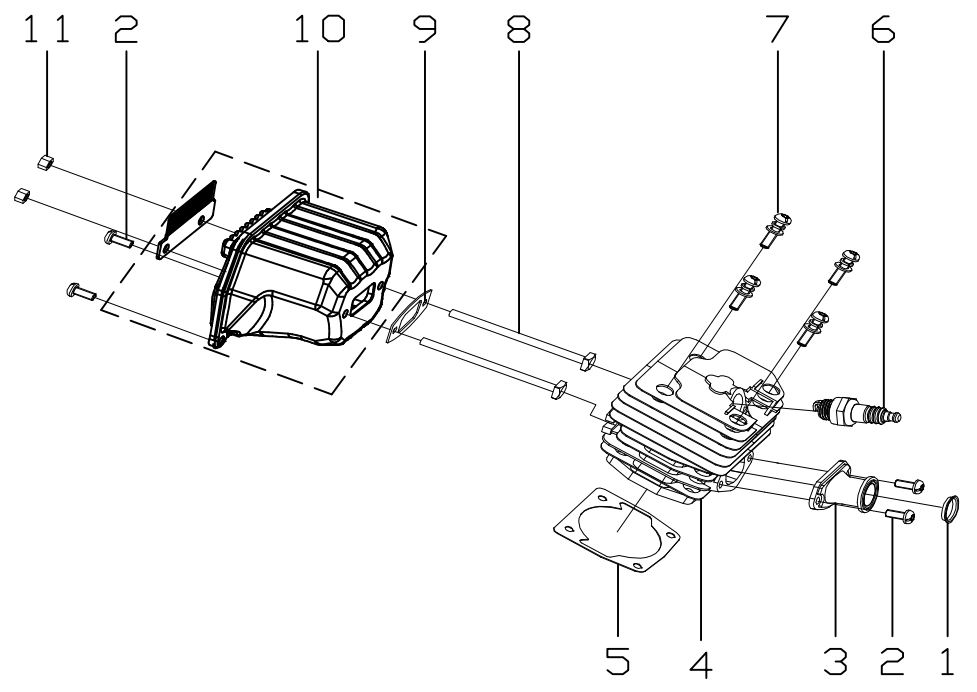
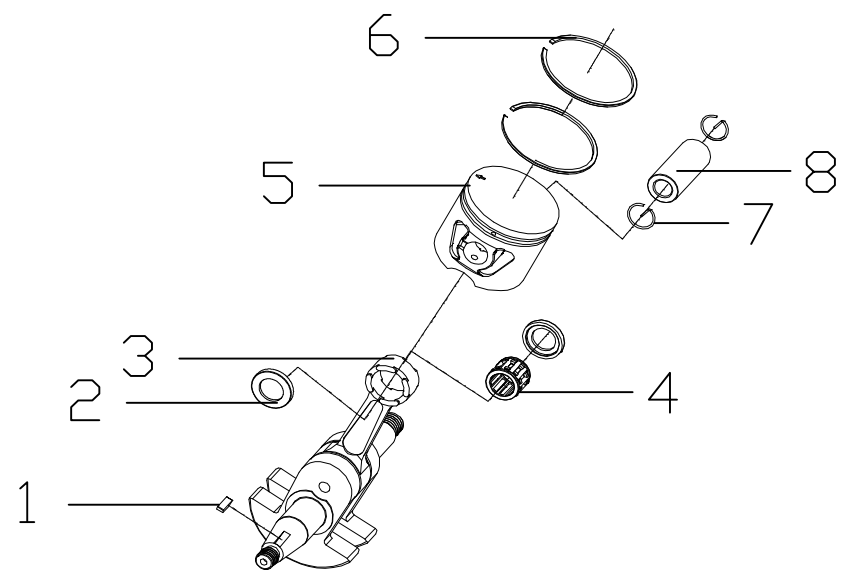
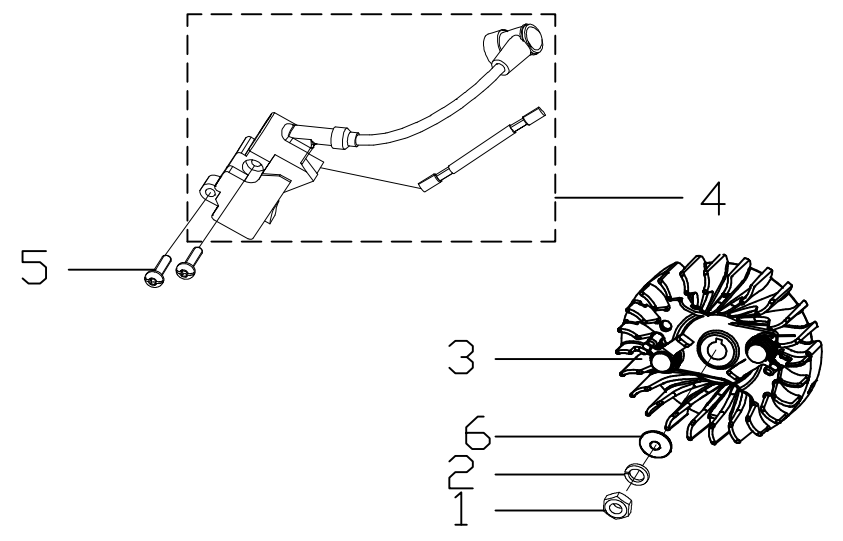
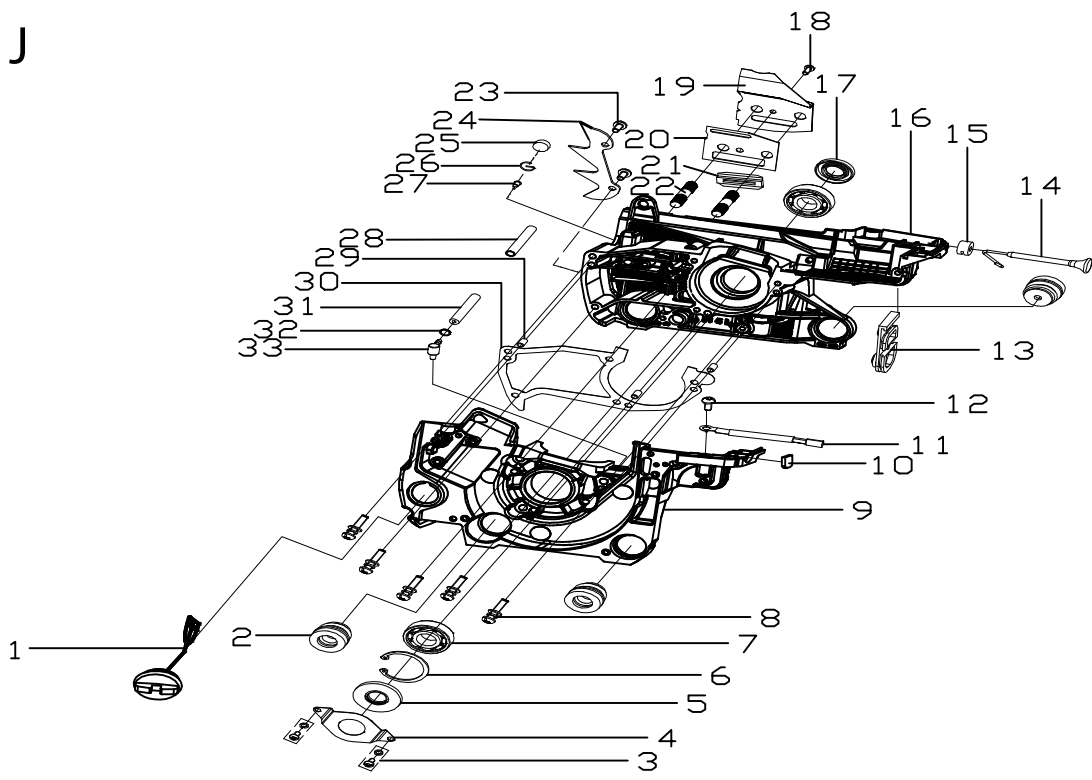
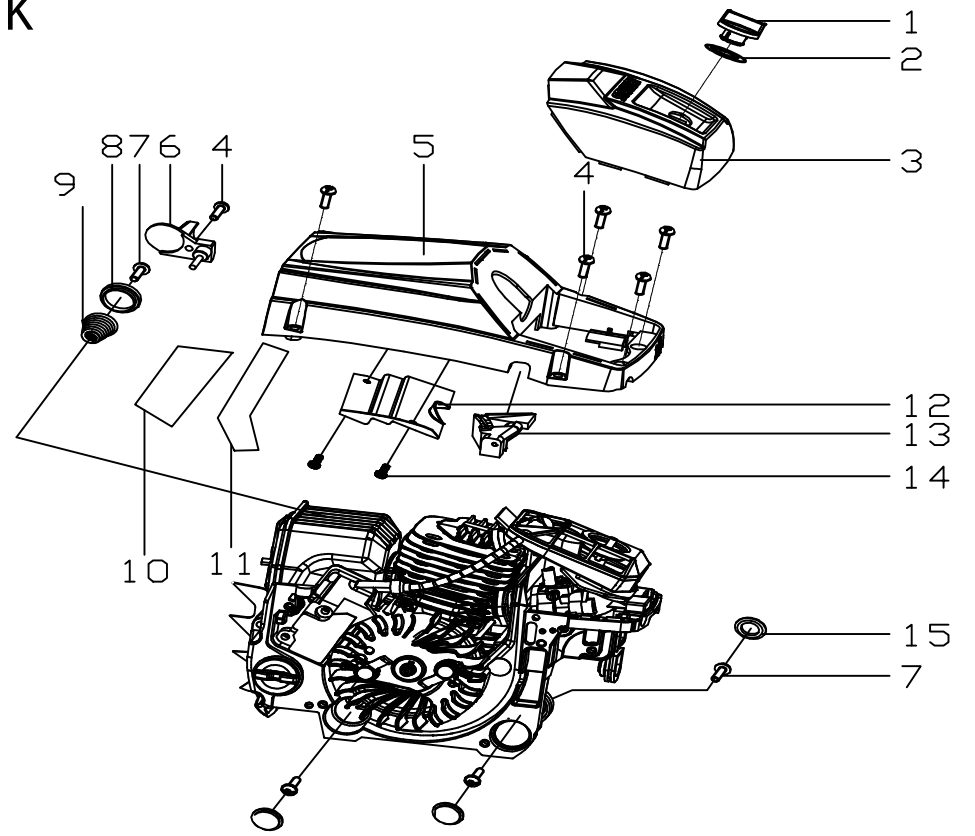
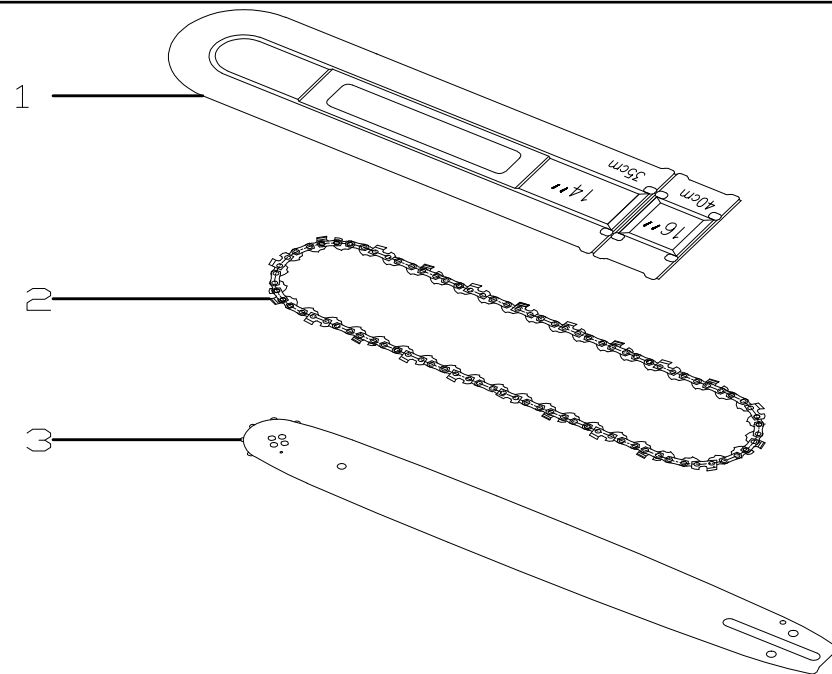


POS	QTY	PARTNUMBER	BESKRIVELSE	DESCRIPTION
A1	1	434842	BENZINTANK	FUEL TANK
A2	1	434843	SKRUE	FLOWER SHAPE SELF-TAPPING SCREW
A3	1	434844	TÆND/SLUK KNAP	ON-OFF SWITCH
A4	1	434845	PRIMER	OIL BUBBLE
A5	1	434846	BENZINLÅG	FUEL TANK CAP ASSEMBLY
A6	2	434847	STØVTÆT COVER	DUST-PROOF COVER
A7	2	11GB/T90744M5 x16	MASKINSKRUE M5X16	MACHINE SCREW M5X16
A8	2	434848	ANTIVIBRATION KNOP	LONG SHOCK-ABSORBING SEAT
A9	1	434849	ANTIVIBRATION BLOCK	DAMPING RUBBER BLOCK
A10	1	434850	BENZIN FILTER	FUEL FILTER
A11	1	434851	VÆGTLOD FOR BENZIN SLANGE	LOADED WEIGHT
A12	1	434852	GUMMIGENNEMFØRING	FUEL HOSE SEAT
A13	1	434853	BENZINSLANGE	FUEL HOSE
A14	1	434854	BENZINSLANGE	OIL RETURN TUBE
A15	1	434855	BALANCE HOLDER	BALANCER HOLDER
A16	1	434856	BALANCE	BALANCER
A17	1	434857	PIN 6X24	ROUND PIN 6X24
A18	1	434858	GASHÅNDTAG	TRIGGER
A19	1	434859	GASHÅNDTAGSFJEDER	TRIGGER TORQUE SPRING
A20	1	434860	SIKKERHEDSKNAP	TRIGGER LOCKOUT
A21	1	434861	BAGHÅNDTAGS COVER	UPPER COVER OF REAR HANDLE
A22	4	434862	SKRUE	FLOWER SHAPE SELF-TAPPING SCREW
A23	1	434863	BØJLEHÅNDTAG	HANDLE OF EASY STARTER
B1	1	434864	GUMMIPLADE	DUST RUBBER PLATE
B2	1	434865	DÆKSEL FOR KÆDEHJUL	RIGHT SIDE PLATE
B3	2	426309	FLANGEMØTRIK M8	NUT M8
B4	1	434866	FJEDER	TORSION SPRING 1
B5	1	434867	KRAVE	SLEEVE
B6	1	434868	ARM FOR KÆDEBREMSE	HEAVY PUNCH
B7	1	434869	FJEDER	PRESSURE SPRING
B8	1	434870	SKIVE	PRESSURE SPRING SEAT
B9	1	434871	SKRUE M5X37.5 M5X37.5	SCREW M5X37.5
B10	1	434872	BØS	BUSHING
B11	1	434873	HÅNDTAG FOR KÆDEBREMSE	FRONT HAND GUARD
B12	1	434874	FJEDER FOR HÅNDTAG	TORSION SPRING 2
B13	1	434875	SKIVE 5X18X1	FLAT WASHER 5X18X1
B14	1	90100690	LÅSEMØTRIK M5	LOCKING NUT M5
B15	1	434876	ALUMINIUMS SKJOLD	ALUMINUM FOIL PAPER
B16	1	434877	FJEDER FOR KÆDEBREMSE	BRAKE SPRING
B17	1	434878	BREMSEBESLAG	BRAKE LEVER
B18	1	434879	FORBINDERLED	ASSISTANT LEVER
B19	1	434880	BREMSEBESLAG	MAIN LEVER
B20	1	434881	PIN 3X14	ROUND PIN 3X14
B21	2	434882	PIN 3X9	ROUND PIN 3X9
B22	1	434882	PIN 3X9	ROUND PIN 3X9

POS	QTY	PARTNUMBER	BESKRIVELSE	DESCRIPTION
B23	5	434883	SKRUE ST4.2X9.5 M4.2X9.5	FLOWER SHAPE SELF-TAPPING SCREW ST4.2X9.
B24	1	434884	STRAMMEARM	TENSIONING BLOCK
B25	1	434885	KÆDESTRAMMESKRUE M5X50 M5X50	TENSIONING SCREW M5X50
B26	1	434886	KÆDESTRAMMEGEAR	TENSIONING GEAR
B27	1	434887	COVER FOR KÆDESTRAMMER	COVER OF TENSIONER
B28	1	426314	BREMSE	BRAKE
C1	4	426316	BOLT M5X16	BOLT M5X16
C2	1	434888	REKYLSTART COVER	STARTER COVER
C3	1	40-11330	STARTSNOR 4MM M.HÅNDTAG	STARTER CORD
C4	1	426321	GREB	HANDLE
C5	1	434889	REKYL FJEDER	SPRING COVER
C6	1	434890	SPOLE	SPOOL
C7	1	434891	FJEDER	ASSISTANT DISC SPRING
C8	1	434892	STARTER FJEDERSKIVE	STARTER PULLEY
C9	1	434893	SKIVE 5X10X1	FLAT WASHER 5X10X1
C10	1	434894	SKIVE 5.4X16X1	FLAT WASHER 5.4X16X1
C11	1	426326	SKRUE ST4.8X13	SCREW ST4.8X13
C12	1	434895	COVER	DEFLECTOR
C13	1	434947	REKYLSTARTER KOMPLET	
D1	2	426333	BOLT M4X14	BOLT M4X14
D2	1	426332	OLIEDYSE	OIL FILTER
D3	1	432964	OLIE PUMPE	OIL PUMP
D4	1	426329	LUFTFILTERELEMENT,SKUM	AIR FILTER ELEMENT
D5	1	426331	OLIERØR	OIL TUBE
D6	1	426330	OLIEFILTER	OIL FILTER
D7	3	426328	BOLT M4X10	BOLT M4X10
D8	1	426334	PLADE	PLATE
D9	1	426335	KOBLINGSSKIVE	CLUTCH DISC
D10	1	426336	NÅLELEJE 12X15X14.5	NEEDLE BEARING 12X15X14.5
D11	1	426337	KOBLINGSTROMLE	CLUTCH CYLINDER
D12	1	426338	KOBLINGSSKIVE	CLUTCH DISC
D13	1	426339	KOBLING KOMPLET	CLUTCH KOMPLET

E**F****G****H**

POS	QTY	PARTNUMBER	BESKRIVELSE	DESCRIPTION
E1	1	434896	HOLDER	HOLDER
E2	2	426345	BOLT M5X12	BOLT M5X12
E3	1	434897	PLADE	BASE PLATE
E4	1	434898	PAKNING	SEALING GASKET
E5	1	434899	FLANGE	AIR INTAKE FLANGE
E6	1	434900	LUFTINDSUGNING	AIR INTAKE HOLDER
E7	1	434901	KARBURATOR	CARBURETOR
E8	1	434902	HOLDER FOR LUFTFILTER	SHOCK ABSORBING OF INTAKE HOLDER
E9	2	426351	BOLT M5X52	BOLT M5X52
E11	1	434903	CHOKER AKTIVERING	""O"" RING"
E12	1	434904	LUFTFILTER	AIR FILTER
F1	1	434905	RING	RETAINING RING
F2	4	426357	BOLT M5X12	BOLT M5X12
F3	1	434906	LUFTINDSUGNING	AIR INTAKE
F4	1	434907	CYLINDERBLOK	CYLINDER
F5	1	434908	PAKNING	SEALING GASKET
F6	1	10011003	TÆNDRØR W20M-US	SPARK PLUGS W20M-US
F7	4	426363	UNBRAKOBOLT MED CYLINDERHOVED M5X20	ALLEN BOLT M5X20
F8	2	426364	BOLT M5X84	BOLT
F9	1	434909	UDSTØDNINGSPAKNING	SEALING GASKET
F10	1	434910	UDSTØDNING	MUFFLER WITH CATALYST
F11	2	90100660	MØTRIK M5	NUT M5
G1	1	426369	NOT	KEY
G2	2	426370	NÅLELEJE RING	RING
G3	1	426371	KRUMTAP MED PEJLSTANG	CRANK
G4	1	426372	NÅLELEJE 11X15X12.5	NEEDLE BEARING 11X15X12.5
G5	1	426373	STEMPEL	PISTON
G6	2	426374	STEMPELRING	PISTON RING
G7	2	426375	LÅSERING	LOCKING RING
G8	1	426376	KRYDSPIND	CROSSHEAD TUBE
H1	1	90180952	FLANGEMØTRIK M8	COLLAR NUT M8
H2	1	90102198	TANDSKIVE YDRE M8	TOOTHED DISC M8
H3	1	434911	SVINGHJUL	FLYWHEEL
H4	1	434912	TÆNDSPOLE	IGNITION COIL
H5	2	426381	BOLT M5X20	BOLT M5X20
H6	1	434913	SKIVE 10*16*1.5	FLAT WASHER 10*16*1.5

J**K****L**

POS	QTY	PARTNUMBER	BESKRIVELSE	DESCRIPTION
J1	1	426384	OLIEPROP KOMPLET	OIL PLUG KOMPLET
J2	3	426388	MEMBRAN	MEMBRANE
J3	2	426389	BOLT M4X8	BOLT M4X8
J4	1	426390	BESLAG	BRACKET
J5	1	426391	PAKDÅSE 15X35X5	OIL SEAL 15X35X5
J6	1	426392	LÅSERING 35	LOCKING RING 35
J7	2	426398	STEL	CHASSIS
J8	5	426394	BOLT M5X30	BOLT M5X30
J9	1	434914	VENSTRE MOTORHUS	LEFT CRANKCASE
J10	1	434915	GUMMIPROP	BIG GUY PLUG
J11	1	434916	KABEL	GROUND LINE
J12	1	434917	SKRUE M5X10	SCREW M5X10
J13	1	434918	BLÆNDPROP	EARTHING
J14	1	434919	CHOKERKNAP	PULL ROD OF CHOKE
J15	1	434920	SÆDE	ROD SEAT
J16	1	434921	HØJRE MOTORHUS	RIGHT CRANKCASE
J17	1	426404	PAKDÅSE 15X28X5	OIL SEAL 15X28X5
J18	1	426405	BOLT M4X10	BOLT M4X10
J19	1	434922	SKJOLD	BAFFLER
J20	1	434923	SKJOLD	BAFFLER WASHER
J21	1	434924	KÆDEJUSTERING	GUIDE BLOCK
J22	2	434925	PINBOLT M8X28	DOUBLE-END BOLT
J23	2	426410	BOLT M5X12	BOLT M5X12
J24	1	426411	BARKSTED	BUMPER SPIKES
J25	1	434926	FILTER	SPONGE FILTER
J26	1	434927	CLIPS	CIRCLIP
J27	1	434928	DYSE	INSULATING SLEEVE
J28	1	434929	RØR	VENTILATING BAZOO
J29	3	434930	PIN 5X10	ROUND PIN 5X10
J30	1	434931	PAKNING	SEALING GASKET
J31	1	434932	RØR	NEGATIVE PRESSURE HOSE
J32	1	434933	CLIPS	CIRCLIP
J33	1	434934	VINKEL DYSE	NEGATIVE PRESSURE NOZZLE
K1	1	434935	LÅSESKRUE	PLASTIC NUT
K2	1	434936	PAKNING	LOCKNUT
K3	1	434937	LUFTFILTERCOVER	AIR FILTER COVER
K4	5	426316	BOLT M5X16	BOLT M5X16
K5	1	434938	MOTORCOVER	UPPER COVER
K6	1	11GB/T90744M5 x16	MASKINSKRUE M5X16	MACHINE SCREW M5X16
K7	4	434939	SKRUE ST 4.8X16	SELF-TAPPING SCREW ST 4.8X16
K8	1	434940	FJEDER	CONICAL SPRING
K9	1	434941	ANTIVIBRATIONSFJEDER	CONICAL SPRING MOUNT
K10	1	434942	VARMESKJOLD 1	ALUMINUM FOIL PAPER 1
K11	1	434943	VARMESKJOLD 2	ALUMINUM FOIL PAPER 2
K12	1	434944	COVER	COVER FOR IDLE SCREW
K13	1	434945	GASREGULERING	BAFFLER
K14	2	434946	SKRUEST 4.2X8	SCREW ST 4.2X8
K15	3	434847	STØVTÆT COVER	DUST-PROOF COVER

POS	QTY	PARTNUMBER	BESKRIVELSE	DESCRIPTION
L1	1	426435	BESKYTTELSE	GUARD
L2	1	40-213	TEX-KÆDE 213 0,325" 72 LED 1,5MM	TEX-CHAIN
L3	1	403472	SVÆRD 18"	BAR 18"