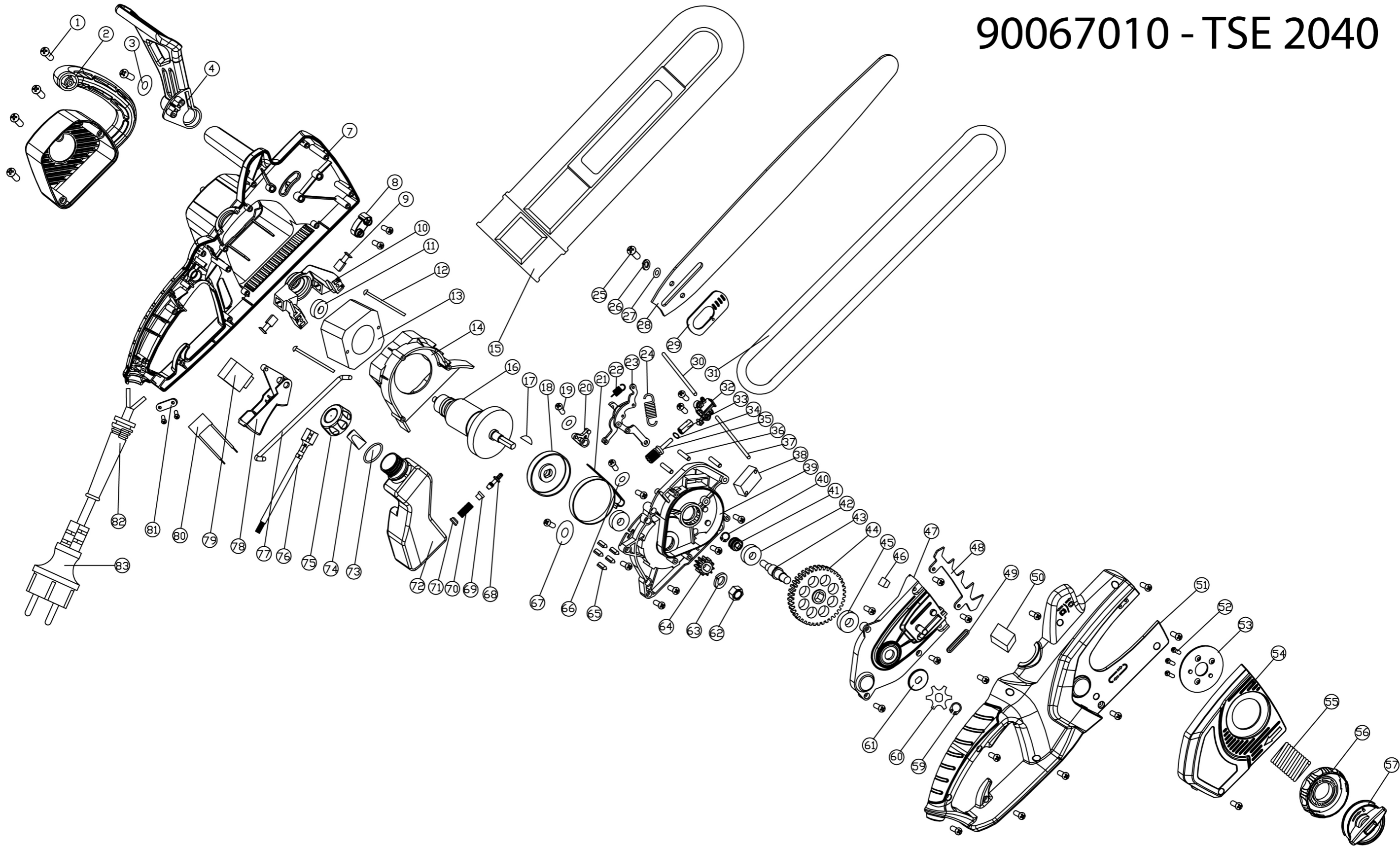


90067010 - TSE 2040



| POS | QTY | PARTNUMBER | BESKRIVELSE | DESCRIPTION |
|-----|-----|------------|------------------------------------|--------------------|
| 1 | 28 | 438059 | SKRUE ST 4X16 | SCREW |
| 2 | 1 | 438060 | COVER | BACK COVER |
| 3 | 1 | 438061 | SKIVE 5X15X1 | WASHERL |
| 4 | 1 | 438062 | KÆDEBREMSE HÅNDTAG | FRONT FINGER GUARD |
| 7 | 1 | 438063 | MOTORHUS | LEFT HOUSING |
| 8 | 1 | 438064 | BREMSEKLODS | BRAKE BLOCK |
| 9 | 2 | 438065 | KUL | CARBON BRUSH |
| 10 | 1 | 438066 | KULHOLDER | BRUSH HOLDER |
| 11 | 1 | 438067 | LEJE | BEARING |
| 12 | 2 | 438068 | SKRUE ST 4X75 | SCREW |
| 13 | 1 | 438069 | LÅG | FIELD |
| 14 | 1 | 438070 | SKÆRM | WIND SCREEN |
| 15 | 1 | 438071 | BESKYTTELSE FOR SVÆRD | BLADE COVER |
| 16 | 1 | 438133 | ROTOR | ARMATURE |
| 17 | 1 | 438073 | PAL | WOODRUFF KEY |
| 18 | 1 | 438074 | BREMSESKIVE | BRAKE WHEEL |
| 19 | 7 | 438075 | SKRUE ST 4X10 | SCREW |
| 20 | 1 | 438076 | BLOK | BLOCK |
| 21 | 1 | 438077 | BREMSESTÅLBÅND | BRAKE STEEL BELT |
| 22 | 1 | 438078 | FJEDER | EXTENSION SPRING |
| 23 | 1 | 438134 | HÆNGSEL | BRACK HINGE C |
| 24 | 1 | 438079 | FJEDER | EXTENSION SPRING |
| 25 | 1 | 438135 | SKRUE M4X8 | SCREW |
| 26 | 1 | 438136 | SKIVE | SHELLS PAD |
| 27 | 1 | 438137 | SKIVE 4X8X0,8 | WASHER2 |
| 28 | 1 | 438080 | SVÆRD | GUIDE BAR |
| 29 | 1 | 438130 | PLADE | COLD CLAMP PLATE |
| 30 | 1 | 438081 | OLIERØR | OIL PIPE 1 |
| 31 | 1 | 40-270 | TEX-KÆDE 270 3,8"H 56 LED 1,3MM | TEX-CHAIN |
| 32 | 1 | 438082 | OLIEPUMPEHUS | OIL PUMP HOUSING |
| 33 | 1 | 438083 | RØR | OIL PUMP SETS |
| 34 | 1 | 438084 | O-RING | O TYPE RING |
| 35 | 1 | 438085 | OLIEPUMPE-DEL | OIL PUMP CORE |
| 36 | 3 | 438086 | STIFT | COLUMNS PIN |
| 37 | 1 | 438087 | OLIERØR | OIL PIPE 2 |
| 38 | 1 | 438088 | MICRO SWITCH | MICROSWITCH |
| 39 | 1 | 438089 | MOTORBESLAG | MOTOR SUPPORT |
| 40 | 1 | 438091 | LÅSERING | RETAINING |
| 41 | 1 | 438092 | BOLT | BOLT |
| 42 | 2 | 438093 | LEJE | BEARING |
| 43 | 1 | 438094 | SPINDEL | SPINDLE |
| 44 | 1 | 438095 | GEARHJUL | BIG GEAR |
| 45 | 1 | 438096 | LEJE | BEARING |
| 46 | 1 | 438138 | GUMMIKLODS | RUBBER STOPPER |
| 47 | 1 | 438145 | SKÆRM | COVER |
| 48 | 1 | 438098 | BARKSTED | SPIKED HUMPER |
| 49 | 1 | 438099 | GUMMIRING | RUBBER RING |
| 50 | 1 | 438100 | FILTER | SPONGE |
| 51 | 1 | 438101 | MOTORHUS HØJRE | RIGHT HOUSING |

| POS | QTY | PARTNUMBER | BESKRIVELSE | DESCRIPTION |
|-----|-----|------------|------------------------------|----------------------------------|
| 52 | 3 | 438139 | SKRUE ST 4X10 | SCREW |
| 53 | 1 | 438140 | PLADE RUND | SPIRAL PLATE |
| 54 | 1 | 438141 | LÅG | CHAIN CLAMP PLATE |
| 55 | 1 | 438142 | FJEDER | SPRING |
| 56 | 1 | 438143 | HÅNDTAG FOR KÆDEJUSTERING | KNOB 1 |
| 57 | 1 | 438144 | HÅNDTAG LÅS | KNOB 2 |
| 59 | 1 | 438108 | LÅSERING | RETAINING RING |
| 60 | 1 | 438109 | TANDHJUL | SPROCKET |
| 61 | 1 | 438110 | SKIVE | SHIELDED |
| 62 | 1 | 438111 | LÅSEMØTRIK | LOCKNUT |
| 63 | 1 | 438112 | FJEDERSKIVE | SPRING WASHERS |
| 64 | 1 | 438113 | TANDHJUL GEAR | SMALL GEAR |
| 65 | 5 | 438114 | STIFT | BAKELITE COLUMNS |
| 66 | 2 | 438115 | SKIVE 4X10X0,8 | WASHER3 |
| 67 | 1 | 438116 | SKIVE 4,5X20X1 | WASHER4 |
| 68 | 1 | 438117 | GUMMIBØS | RUBBER SHEATH ON OIL TANK |
| 69 | 1 | 438118 | RING | RING |
| 70 | 1 | 438119 | FJEDER | SPRING |
| 71 | 1 | 438120 | FILTER | FILTER SCREEN STOPPER |
| 72 | 1 | 438121 | OLIETANK | OIL TANK |
| 73 | 1 | 438122 | O-RING | O TYPE RING |
| 74 | 1 | 438123 | GUMMIPAKNING | RUBBER SHEATH ON OIL TANK CAP |
| 75 | 1 | 438124 | TANKLÅG | OIL TANK CAP |
| 76 | 1 | 438125 | SLANGE | FEEDTHROUGH |
| 77 | 1 | 438126 | STANG | PULL ROD |
| 78 | 1 | 438127 | KONTAKT KNAP | SWITCH BUTTON |
| 79 | 1 | 438128 | KONTAKT | SWITCH |
| 80 | 1 | 438129 | KONDENSATOR | CAPACITOR |
| 81 | 1 | 438130 | PLADE | COLD CLAMP PLATE |
| 82 | 1 | 438131 | LEDNING | CORS SHEATH |
| 83 | 1 | 438132 | STIK | SUPPLY COLD |