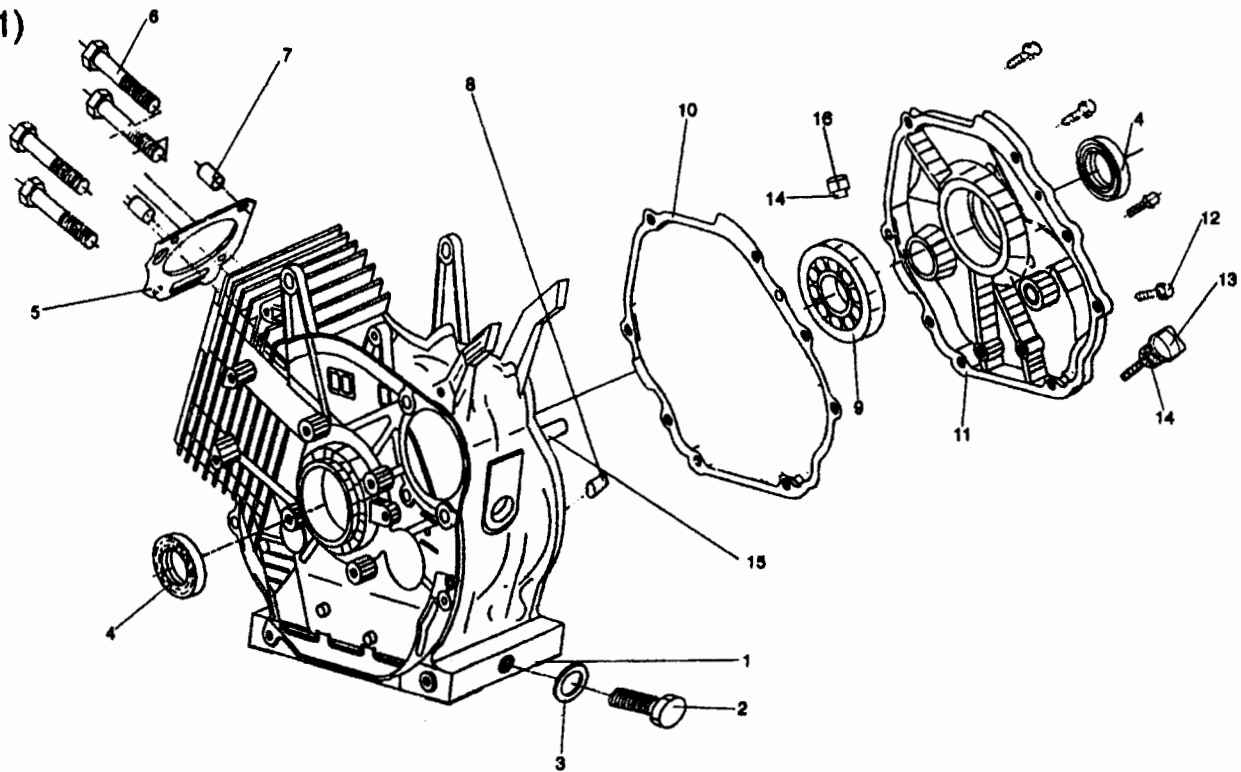
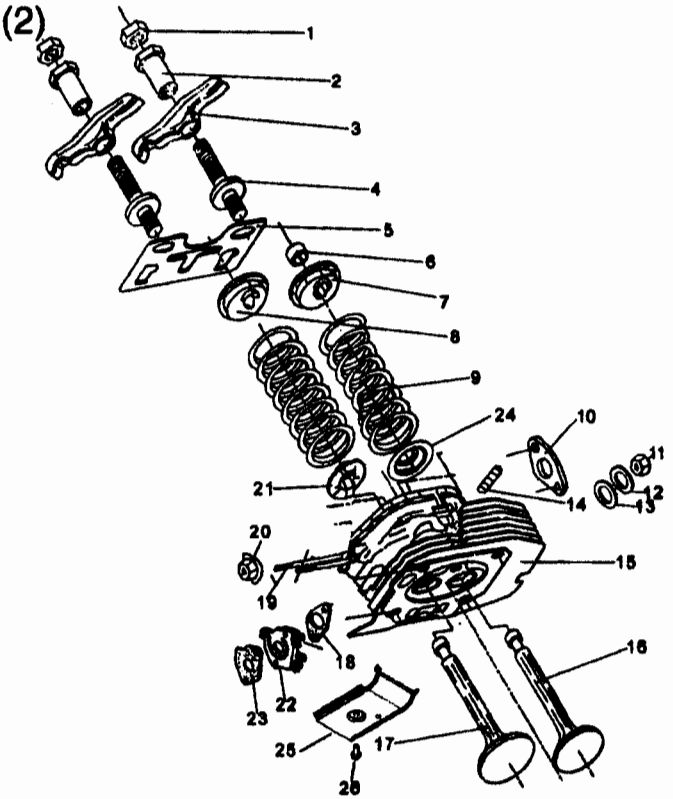


(1)



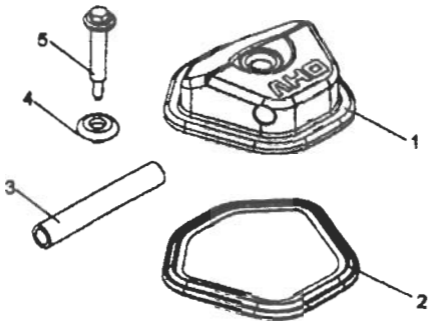
Model TG800**Cylinder block assembly**

Pos	Vare nr. / Part no.	Qty	Beskrivelse	Description
1	290583	1	Short block	Cylinder block
2	290897	2	Bolt for olie aftapning	Drain plug
3	290600	2	Pakning for olie aftapning	Gasket for drain plug
4	290759	2	Pakdåse	Oil seal
5	290584	1	Pakning til ventildæksel	Cylinder head cover gasket
6	290898	4	Bolt til ventildæksel	Cylinder head cover bolt
7	290899	2	Styretap for topstykke	Cylinder head alignment pin
8	290900	2	Styretap for short block	Crankcase cover alignment pin
9	290451	1	Leje	Ball bearing 6206
10	290545	1	Pakning til shortblock	Crankcase cover gasket
11	290546	1	Sidedæksel, shortblock	Crankcase cover
12	290901	7	Bolt, short block M8x33,5	Crankcase cover bolt M8x35
13	290547	1	Olie påfyldnings dæksel	Oil filler cap
14	290902	2	Pakning, oliepåfyldningsdæksel	Oil filler cap gasket
15	290903	1	Regulator arm	Governor arm shaft
16	290904	1	Dæksel, olie påfyldning	Oil filler screw



Model TG800		Cylinder head		
Pos	Vare nr. / Part no.	Qty	Beskrivelse	Description
1	290267	2	Møtrik for vippearm	Rocker arm pivot adjusting nut
2	290519	2	Bøs for vippearm	Rocker arm pivot
3	290905	2	Vippearm	Air valve rocker arm
4	590518	2	Støttebolt for vippearm	Rocker arm pivot bolt
5	290906	1	Styrplade for stødstang	Push rod guidance plate
6	290907	1	Bøs	Adjusting cushion of exhaust valve
7	290908	1	Sæde, udstødningsventil fjeder	Exhaust valve spring seat
8	290909	1	Sæde, indsugningsventil fjeder	Inlet valve spring seat
9	290910	2	Fjeder for ventil	Valve spring
10	290911	1	Udstødningspakning	Exhaust pipe gasket
11	290479	2	Møtrik M8	Nut M8
12	290495	2	Skive	Gasket 8
13	290495	2	Skive	Gasket 8
14	290912	2	Støttebolt	Stud
15	290555	1	Topstykke	Cylinder head cover machinery unit
16	290549	1	Udstødningsventil	Exhaust valve
17	290548	1	Indsugningsventil	Inlet valve
18	290550	1	Pakning	Gasket
19	290551	2	Støttebolt, insugning	Inlet pipe stud
20	290895	2	Møtrik M6	Nut M6
21	290913	1	Pakdåse	Oil seal of inlet valve conduit
22	290552	1	Insulator	Insulation cushion of carburetor
23	290553	1	Pakning til karburator	Gasket A of carburetor
24	290914	1	Ventil fjeder sæde	Lower spring seat, exhaust valve
25	290554	1	Luftskjold	Windproof plate
26	290291	1	Bolt M6x12	Bolt M6x12

(3)

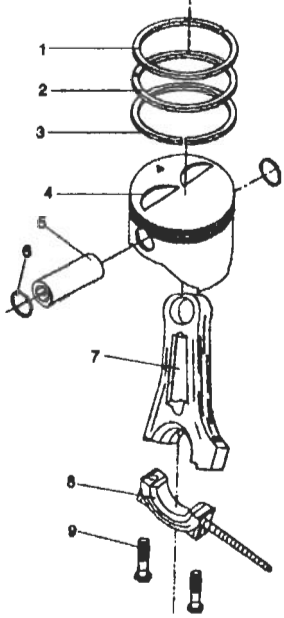


Model TG800

Cylinder head cover

Pos	Vare nr. / Part no.	Qty	Beskrivelse	Description
1	290915	1	Ventildæksel	Cylinder head cover unit
2	290916	1	Ventildækselspakning	Cylinder head cover gasket
3	290917	1	Ånderør	Rubber hose
4	290918	1	Pakning	Gasket of set bolt
5	290919	1	Bolt	Set bolt of cylinder head cover

(4)

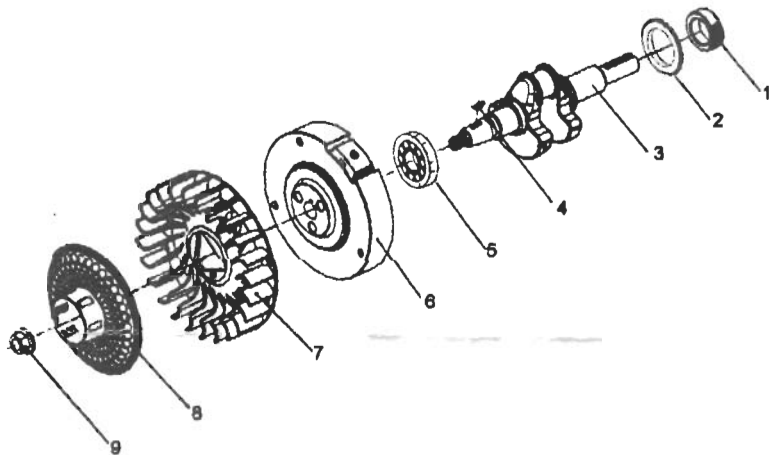


Model TG800

Piston and connecting rod.

Pos	Vare nr. / Part no.	Qty	Beskrivelse	Description
1	290585	1	1. Stempelring	First air ring
2	290586	1	2. Stempelring	Second air ring
3	290588	1	Olieskrabe ring	Oil ring
4	290587	1	Stempel.	Piston
5	290556	1	Krydspind	Piston pin
6	290557	2	Lås for krydspind	Retainer ring
7	290558	1	Plejlstang	Connecting rod body
8	290559	1	Lejeoverfald	Connecting rod cover
9	290920	2	Bolt til plejlstang	Connecting rod bolt

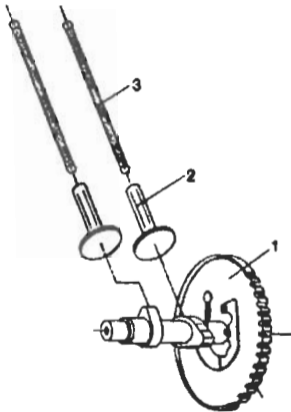
(5)



Model TG800 Crankshaft assembly

Pos	Vare nr. / Part no.	Qty	Beskrivelse	Description
1	290561	1	Gearhjul.	Timing gear
2	290562	1	Begrænserhjul	Speed limiting gear
3	290560	1	Krumtap	Crankshaft
4	290303	1	Not, krumtap gear	Woodruff key
5	290451	1	Leje	Bearing 6206
6	290564	1	Svinghjul	Flywheel unit
7	290563	1	Blæserhjul	Impeller
8	290565	1	Starttrisse	Starting ratchet reel
9	290921	1	Møtrik, svinghjul	Flywheel nut

(6)



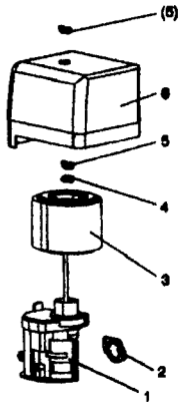
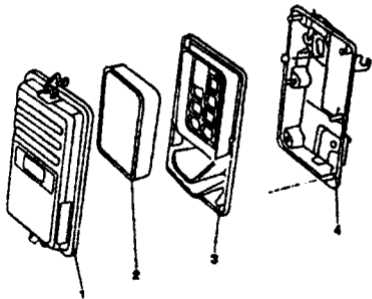
Model TG800

Camshaft assembly

Pos	Vare nr. / Part no.	Qty	Beskrivelse	Description
1	290589	1	Knastaksel	Camshaft
2	290922	2	Ventilløfter	Air valve tappet
3	290566	2	Stødstang	Air valve push rod

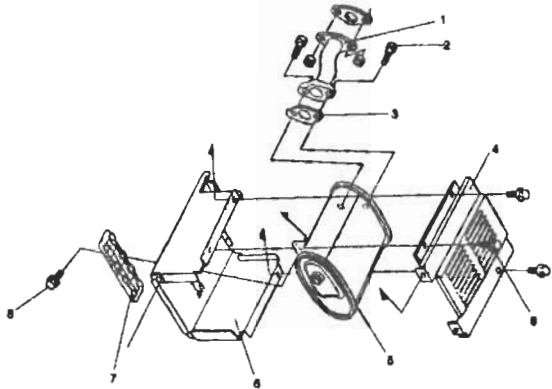
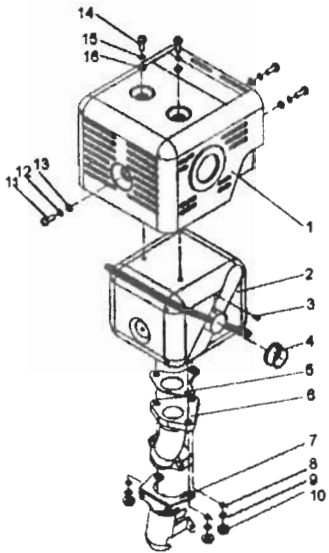
(7)

(KG240G)



Model TG800		Air cleaner assembly		
Pos	Vare nr. / Part no.	Qty	Beskrivelse	Description
1	290923	1	Holder for luftfilter.	Bottom seat unit
2	290924	1	Pakning	Carburator gasket
3	290925	1	Luftfilter element	Element, air filter
4	290926	1	Pakning	Shock proff sealing unit
5	290927	1	Vingemøtrik	Wing nut M6
6	290928	1	Luftfilterhus	Upper air filter cover.
KG800 Generator				
1	290929	1	Luftfilter top	Air cleaner cover
2	290930	1	Element, luftfilter	Element, air filter
3	290931	1	Seperator	Separator
5	290932	1	Bund, luftfilterhus	Air cleaner bottom cover

(KG240G)

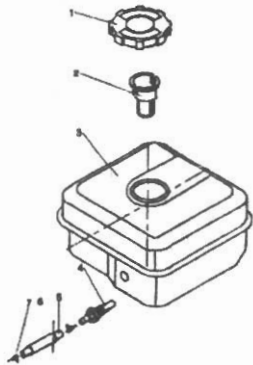


Model TG800

Exhaust assembly

Pos	Vare nr. / Part no.	Qty	Beskrivelse	Description
1	290933	1	Varmeskjold	Muffler case
2	290934	1	Lyddæmper	Muffler
3	290482	1	Skrue M4x5	Screw M4x5
4	290935	1	Gnistfanger	Spark arrestor
5	290936	1	Pakning	Muffler gasket
6	290590	1	Mellemrør	Exhaust pipe
7	290937	1	Varmeskjold	Rivet frame of exhaust pipe
8	290495	3	Pakning	Gasket 8
9	290495	3	Pakning	Gasket 8
10	290479	3	Møtrik M8	Nut M8
11	290484	1	Skrue M6x8	Screw M6x8
12	290494	1	Pakning	Gasket 6
13	290494	1	Pakning	Gasket 6
14	290483	4	Skrue M5x8	Screw M5x8
15	290493	4	Pakning	Gasket 5
16	290493	4	Pakning	Gasket 5
TG800 Generator				
1	290938	1	Mellemrør, udstødning	Exhaust pipe
2	290939	2	Bolt, M6x15	Bolt M6x15
3	290940	1	Pakning til udstødning	Muffler gasket
4	290941	1	Varmeskjold	Muffler outside frame
5	290942	1	Lyddæmper	Muffler
6	290943	1	Nederste varmeskjold	Muffler inside frame
7	290944	1	Gummi underlag for lyddæmper.	Muffler seal gasket
8	290945	2	Bolt M6x12	Bolt M6x12

(9)

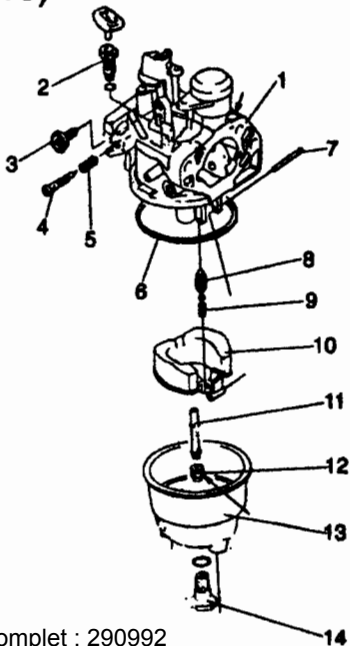


Model TG800

Fuel tank and piping.

Pos	Vare nr. / Part no.	Qty	Beskrivelse	Description
1	290342	1	Tankdæksel	Fuel tank cover
2	290946	1	Filter, benzinpåfyldning	Strainer
3	290570	1	Benzintank	Fuel tank welding assembly
4	290345	1	Tankstuds	Fuel drain unit
5	290569	1	Benzinslange	Fuel pipe
6	290947	1	Beskytter, benzinslange	Fuel pipe sheath
7	290948	2	Clips	Hold-down clip

(10)

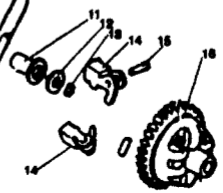
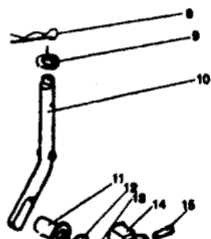
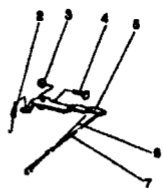
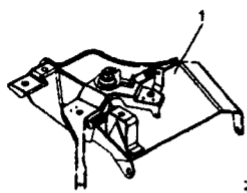


Komplet : 290992

Model TG800 Carburetor.

Pos	Vare nr. / Part no.	Qty	Beskrivelse	Description
1	290591	1	Karburator hus	Carburator body
2	290949	1	Dyse	Pilot Jet
3	290528	1	Tomgangsskrue	Throttle stop screw
4	290353	1	Blandingsskrue	Pilot screw
5	290950	1	Fjeder, blandingskrue	Pilot screw spring
6	290951	1	O-ring	O-ring
7	290952	1	Pin, svømmer	Float pin
8	290953	1	Nåleventil	Float valve
9	290954	1	Fjeder, nåleventil	Spring, float valve
10	290955	1	Svømmer	Float
11	290956	1	Strålerør	Main nozzle
12	290592	1	Dyse	Main jet
13	290362	1	Svømmerhus	Float chamber
14	290474	1	Bolt M8x10	Bolt M8x10

(11)

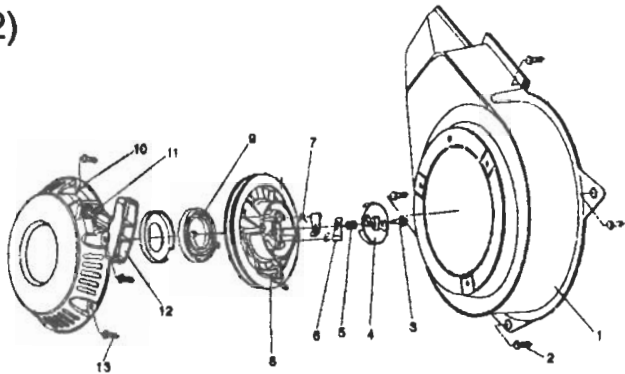


Model TG800

Throttle governor.

Pos	Vare nr. / Part no.	Qty	Beskrivelse	Description
1	290577	1	Gasregulering	Throttle control assembly
2	290573	1	Gasregulator fjeder	Governor spring
3	290480	1	Møtrik	Nut
4	290957	1	Støttebolt	Stud
5	290575	1	Gasregulerings arm	Governor arm
6	290571	1	Retur fjeder	Throttle returns pring
7	290572	1	Regulator stang	Governor rod
8	290958	1	Split	Snap ring
9	290959	1	Pakning	Gasket
10	290574	1	Stang	Speed-limiting push rod
11	290960	1	Glidebøs	Slide sheath
12	290372	1	Skive	Slide sheath gasket
13	290961	1	Låsering	Retainer ring
14	290576	2	Vægt	Weight
15	290573	2	Pin sæt for vægt	Weight pin
16	290962	1	Regulator	Variable gear

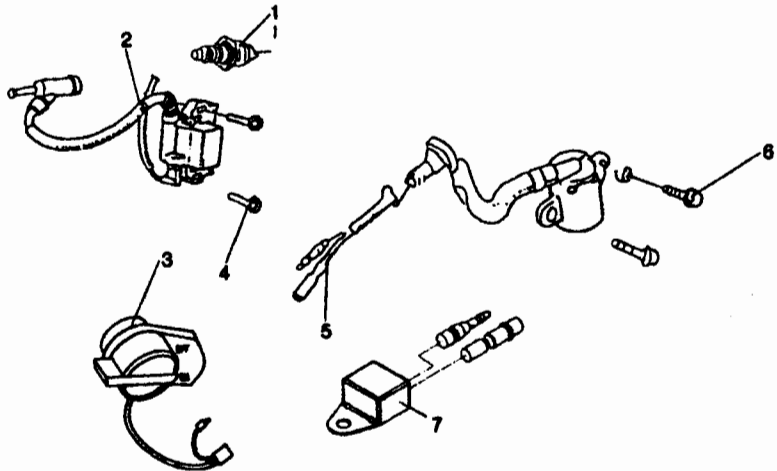
(12)



Model TG800**Recoil starter and fan.**

Pos	Vare nr. / Part no.	Qty	Beskrivelse	Description
1	290963	1	Blæserhus	Fan cover
2	290291	5	Bolt M6x12	Bolt M6x12
3	290964	1	Låsebolt	Lock bolt
4	290965	1	Palholder	Reel cover
5	290966	1	Fjeder	Steel spring
6	290967	2	Pal	Ratchet
7	290968	2	Fjeder for pal	Ratchet spring
8	290579	1	Snorhjul	Starter reel
9	290969	1	Startfjeder	Recoil starter spring
10	290581	1	Starterhus	Starter outside case
11	290970	1	Startsnor	Starter rope
12	290971	1	Starthåndtag	Starter handle
13	290469	3	Bolt M6x8	Bolt M6x8
	280098	1	Komplet starter u/ blæsehus	Complete starter assembly w/o Fan cover

(13)



Model TG800

Ignition system.

Pos	Vare nr. / Part no.	Qty	Beskrivelse	Description
1	10011217	1	Tændrør	Spark plug
2	290582	1	Tændspole	Ignition winding
3	290395	1	Kontakt	Engine switch
4	290396	2	Bolt M6x25	Bolt M6x25
5	290972	1	Olie alarm	Low oil alarm
6	290476	2	Bolt M6x16	Bolt M6x16
7	290973	1	Olie stand kontakt	Oil level switch accessories