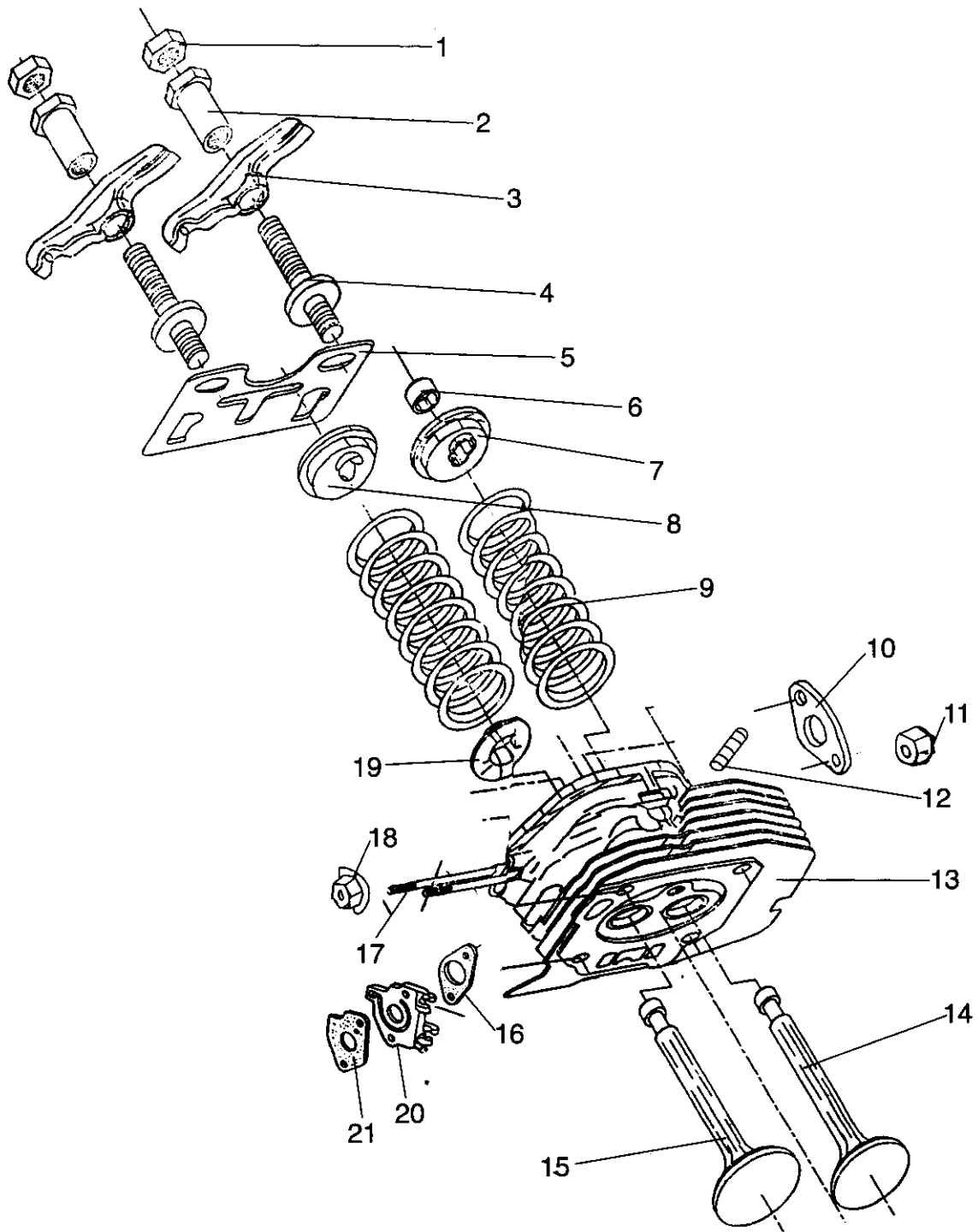


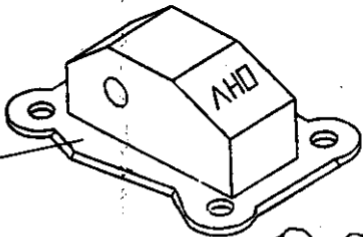
Model TG500 Cylinder block assembly

Pos	Vare nr. / Part no.	Qty	Beskrivelse	Description
1	290250	1	Short block	Cylinder block
2	290251	2	Bolt for olie aftapning	Drain plug
3	290252	2	Pakning for olie aftapning	Gasket for drain plug
4	290253	2	Pakdåse	Oil seal
5	290254	1	Toppakning	Headgasket
6	290255	4	Bolt til ventildæksel	Cylinder head cover bolt
7	290256	2	Styretap for topstykke	Cylinder head cover alignment pin
8	290257	2	Styretap for short block	Crankcase cover alignment pin
9	290258	2	Leje	Ball bearing 6205
10	290259	1	Pakning til shortblock	Crankcase cover gasket
11	290260	1	Sidedæksel, shortblock	Crankcase cover
12	290261	6	Bolt, short block M8x33,5	Crankcase cover bolt M8x33,5
13	290262	2	Olie påfyldnings dæksel	Oil filler cap
14	290263	2	Pakning, oliepåfyldningsdæksel	Oil filler cap gasket
15	290264	1	Regulator arm	Governor arm shaft
16	290265	1	Plade for luftindtag	Air inducting plate
17	290266	1	Luffføringsplade.	Air guidance plate



Model TG500 Cylinder head

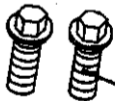
Pos	Vare nr. / Part no.	Qty	Beskrivelse	Description
1	290267	2	Møtrik for vippearms	Rocker arm pivot adjusting nut
2	290268	2	Bøs for vippearms	Rocker arm pivot
3	290269	2	Vippearm	Air valve rocker arm
4	290270	2	Støttebolt for vippearms	Rocker arm pivot bolt
5	290271	1	Styrplade for stødstang	Push rod guidance plate
6	290272	1	Bøs	Adjusting cushion of exhaust valve
7	290273	1	Sæde, udstødningsventil fjeder	Exhaust valve spring seat
8	290274	1	Sæde, indsugningsventil fjeder	Inlet valve spring seat
9	290275	2	Fjeder for ventil	Valve spring
10	290276	1	Udstødningspakning	Exhaust pipe gasket
11	290277	2	Møtrik M8	Nut M8
12	290278	2	Støttebolt M8x20	Stud M8x20
13	290279	1	Topstykke	Cylinder head cover machinery unit
14	290280	1	Udstødningsventil	Exhaust valve
15	290281	1	Indsugningsventil	Inlet valve
16	290282	1	Pakning, indsugning	Inlet pipe gasket
17	290283	2	Støttebolt, indsugning	Inlet pipe stud
18	290284	2	Møtrik M6	Nut M6
19	290285	1	Pakdåse	Oil seal of inlet valve conduit
20	290286	1	Insulator	Insulation cushion of carburetor
21	290287	1	Pakning, karburator	Carburetor gasket A



1



2



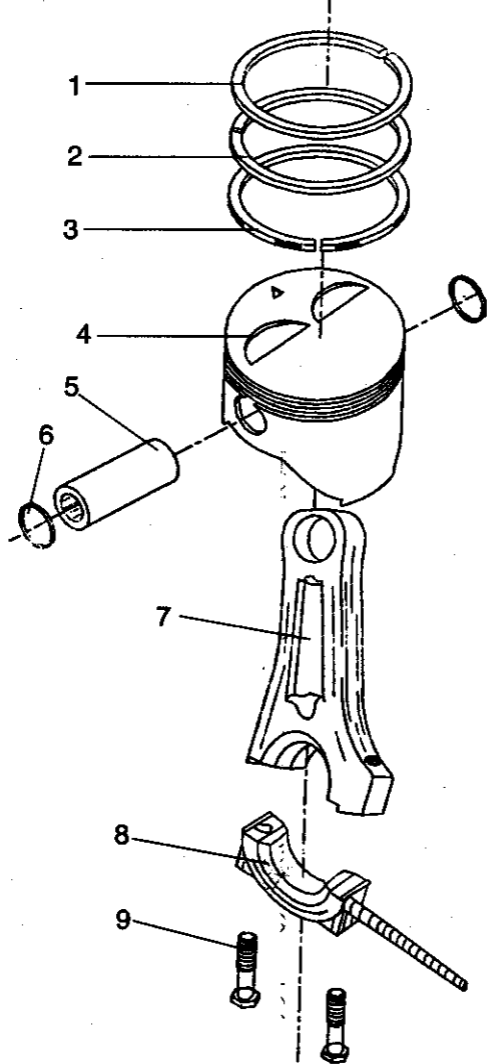
4

3



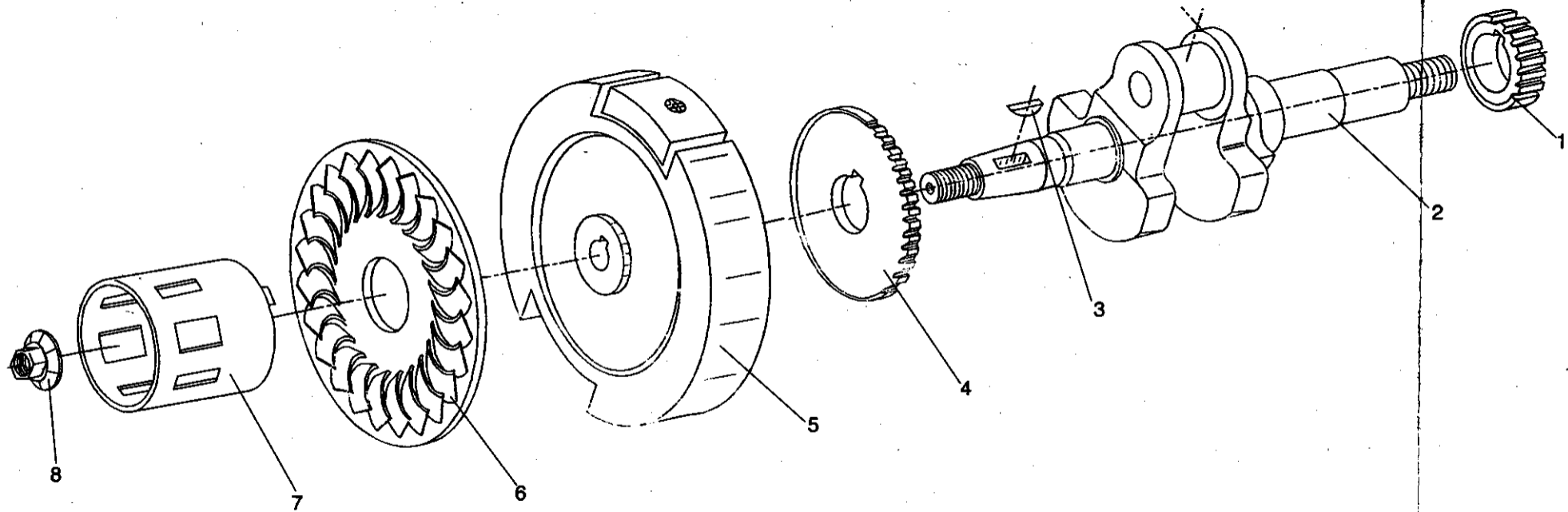
Model TG500 Cylinder head cover

Pos	Vare nr. / Part no.	Qty	Beskrivelse	Description
1	290288	1	Ventildæksel	Cylinder head cover unit
2	290289	1	Ånderør	Rubber pipe
3	290290	1	Ventildækselspakning	Cylinder head cover gasket
4	290291	4	Bolt M6x12	Bolt M6x12



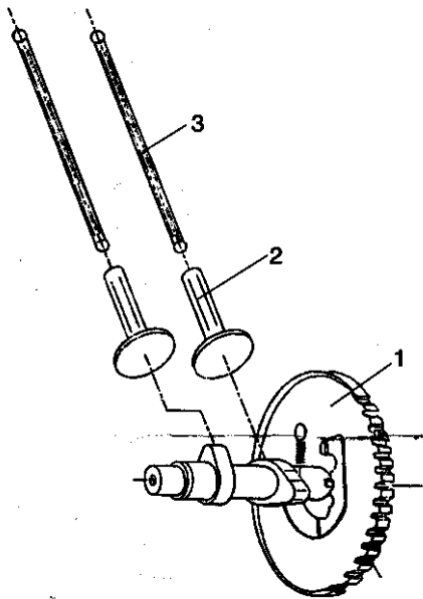
Model TG500 Piston and connecting rod.

Pos	Vare nr. / Part no.	Qty	Beskrivelse	Description
1	290292	1	1. Stempelring	First air ring
2	290293	1	2. Stempelring	Second air ring
3	290294	1	Olieskrabe ring	Oil ring
4	290295	1	Stempel.	Piston
5	290296	1	Krydspind	Piston pin
6	290297	2	Lås for krydspind	Retainer ring
7	290298	1	Plejlstang	Connecting rod body
8	290299	1	Lejeoverfald	Connecting rod cover
9	290300	2	Bolt til plejlstang	Connecting rod bolt



Model TG500 Crankshaft assembly

Pos	Vare nr. / Part no.	Qty	Beskrivelse	Description
1	290301	1	Gearhjul.	Timing gear
2	290302	1	Krumtap	Crankshaft
3	290303	1	Not, krumtap gear	Woodruff key
4	290304	1	Tandhjul	Variable gear
5	290305	1	Svinghjul	Flywheel unit
6	290306	1	Blæserhjul	Impeller
7	290307	1	Starttrisse	Starting ratchet reel
	291003	1	Starttrisse NY TYPE	Starting ratchet reel NEW TYPE
8	290308	1	Møtrik, svinghjul	Flywheel nut

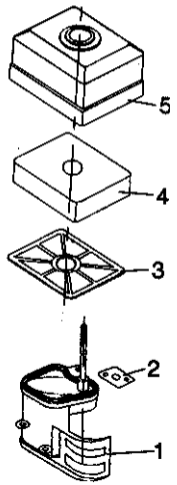


Model TG500 Camshaft assembly

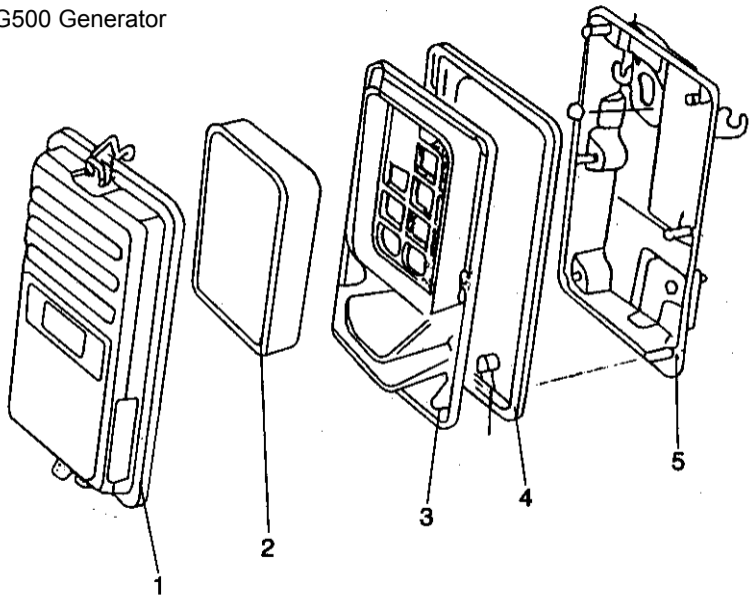
Pos	Vare nr. / Part no.	Qty	Beskrivelse	Description
1	290309	1	Knastaksel	Camshaft
2	290310	2	Ventilløfter	Air valve tappet
3	290311	2	Stødstang	Air valve push rod

(7)

- 10
- 9
- 8



TG500 Generator

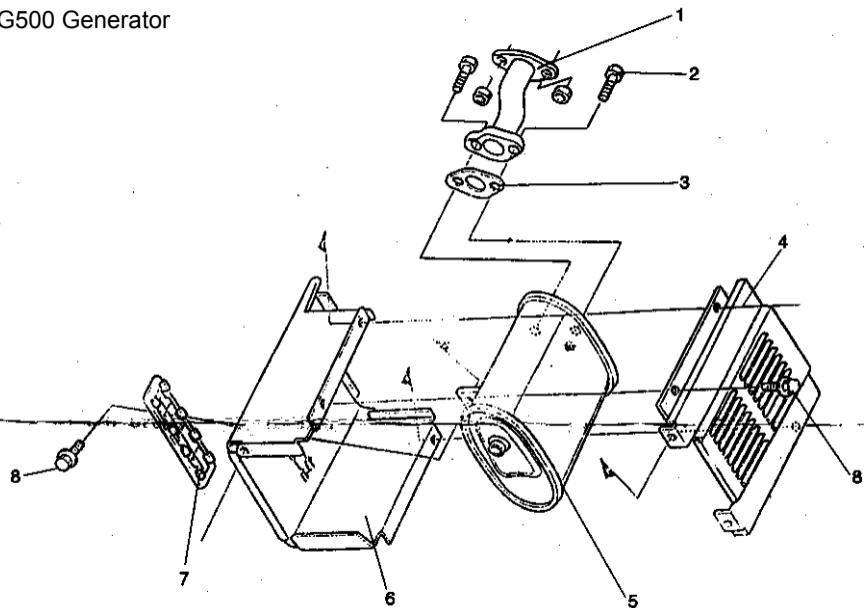
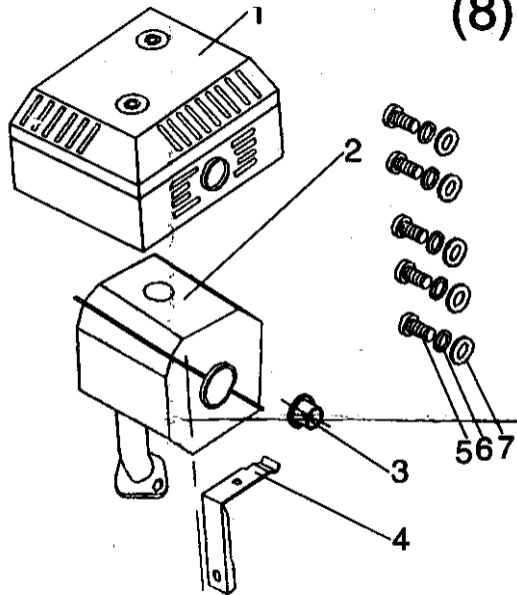


Model TG500 Air cleaner assembly

Pos	Vare nr. / Part no.	Qty	Beskrivelse	Description
	290312	1	Luffilter komplet	Air cleaner assembly
1	290313	1	Holder for luffilter.	Bottom seat unit
2	290314	1	Pakning	Carburator gasket
3	290315	1	Bundplade for luffilter	Element under cover
4	290316	1	Luffilter element	Element, air filter
5	290317	1	Øverste luffilter dæksel	Air filte upper case
8	290318	1	Gummi skive	Rubber washer
9	290319	1	Skive	Plain washer
10	290320	1	Vingemøtrik	Wing nut M6
TG500 Generator				
1	290321	1	Luffilter top	Air cleaner cover
2	290322	1	Element, luffilter	Element, air filter
3	290323	1	Seperator	Separator
4	290324	1	Pakning, luffilter	Air cleaner gasket
5	290325	1	Bund, luffilterhus	Air cleaner bottom cover

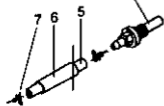
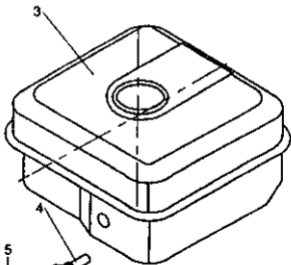
(8)

TG500 Generator



Model TG500 Exhaust assembly

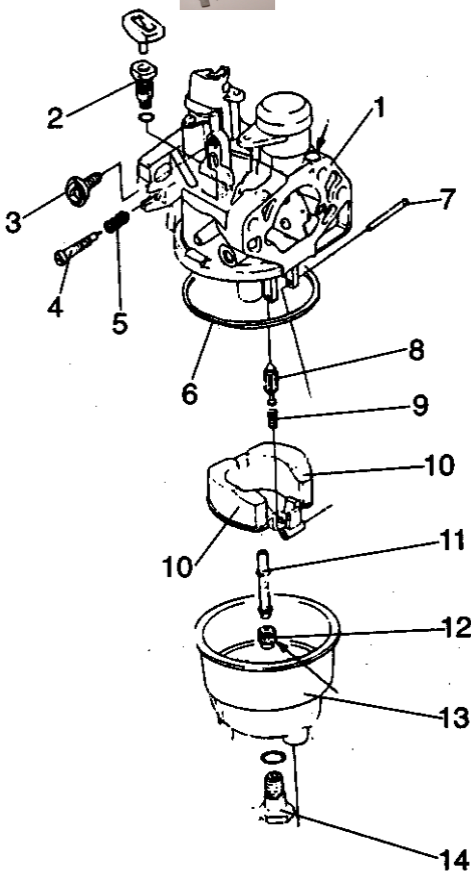
Pos	Vare nr. / Part no.	Qty	Beskrivelse	Description
	290326	1	Udstødning komplet	Exhaust assembly
1	290327	1	Varmeskjold	Muffler case
2	290328	1	Lyddæmper	Muffler
3	290329	1	Gnistfanger	Spark arrestor
4	290330	1	Støttebeslag	Support
5	290331	5	Skrue M5x10	Screw M5x10
6	290332	5	Skive	Washer
7	290333	5	Skive	Washer
KG500 Generator				
1	290334	1	Mellemrør, udstødning	Exhaust pipe
2	290335	2	Bolt, M6x15	Bolt M6x15
3	290336	1	Pakning til udstødning	Muffler gasket
4	290337	1	Varmeskjold	Muffler outside frame
5	290338	1	Lyddæmper	Muffler
6	290339	1	Nederste varmeskjold	Muffler inside frame
7	290340	1	Gummi underlag for lyddæmper.	Muffler seal gasket
8	290341	2	Bolt M6x12	Bolt M6x12



Model TG500 Fuel tank and piping.

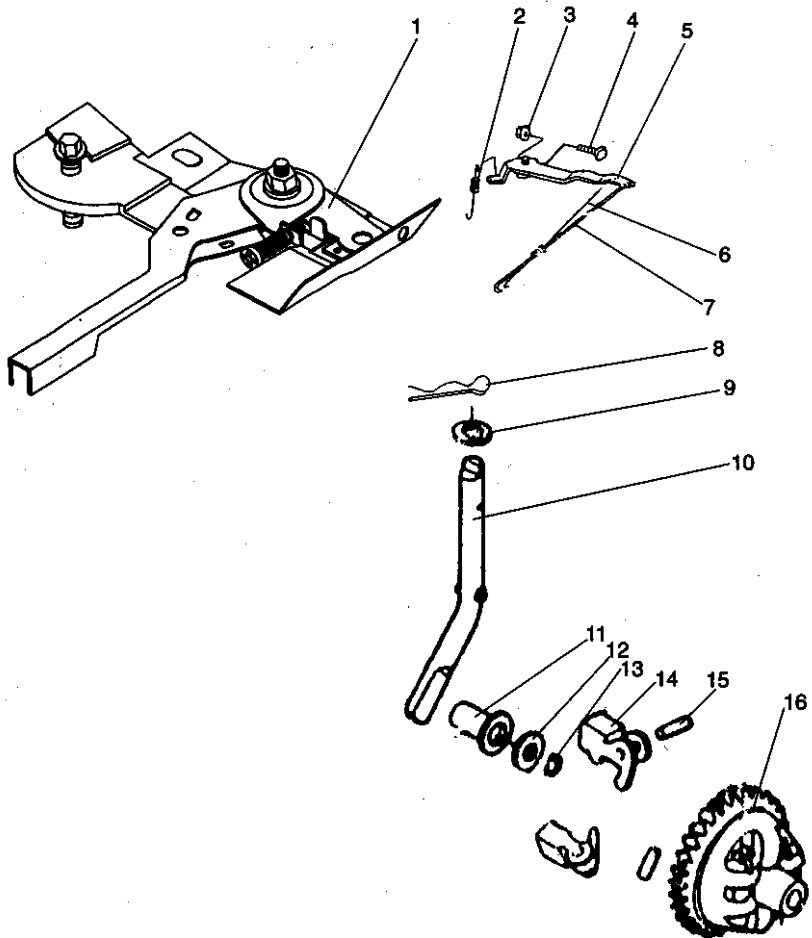
Pos	Vare nr. / Part no.	Qty	Beskrivelse	Description
1	290342	1	Tankdæksel	Fuel tank cover
2	290343	1	Filter, benzinpåfyldning	Filter screen
3	290344	1	Benzintank	Fuel tank welding assembly
4	290345	1	Tankstuds	Fuel drain unit
5	290346	1	Benzinslange	Fuel pipe
6	290347	1	Beskytter, benzinslange	Fuel pipe sheath
7	290348	2	Clips	Hold-down clip

15



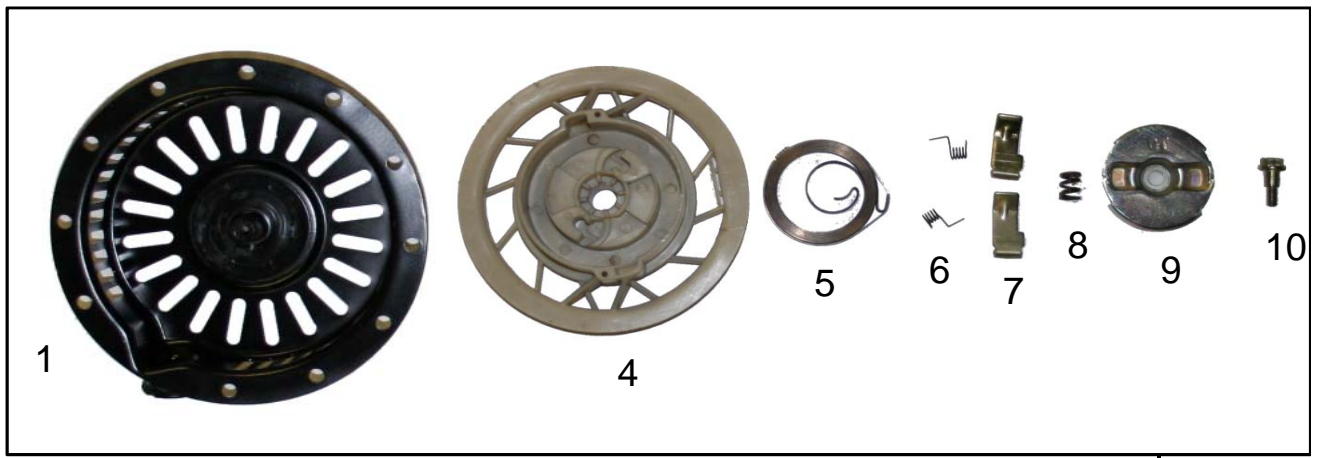
Model TG500 Carburetor.

Pos	Vare nr. / Part no.	Qty	Beskrivelse	Description
	290349	1	Karburator	Carburator assembly
1	290350	1	Karburator hus	Carburator body
2	290351	1	Dyse	Pilot Jet
3	290352	1	Tomgangsskrue	Throttle stop screw
4	290353	1	Blandingsskrue	Pilot screw
5	290354	1	Fjeder, blandingskrue	Pilot screw spring
6	290355	1	O-ring	O-ring
7	290356	1	Pin, svømmer	Float pin
8	290357	1	Nåleventil	Float valve
9	290358	1	Fjeder, nåleventil	Spring, float valve
10	290359	1	Svømmer	Float
11	290360	1	Strålerør	Main nozzle
12	290361	1	Dyse	Main jet
13	290362	1	Svømmerhus	Float chamber
14	290363	1	Bolt M8x10	Bolt M8x10
15	291004	1	Chokerarm	Arm, choke

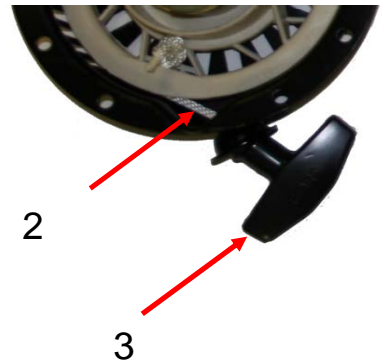
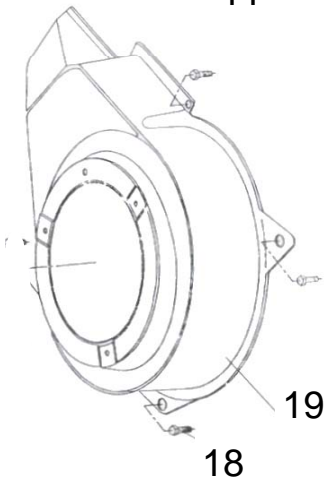
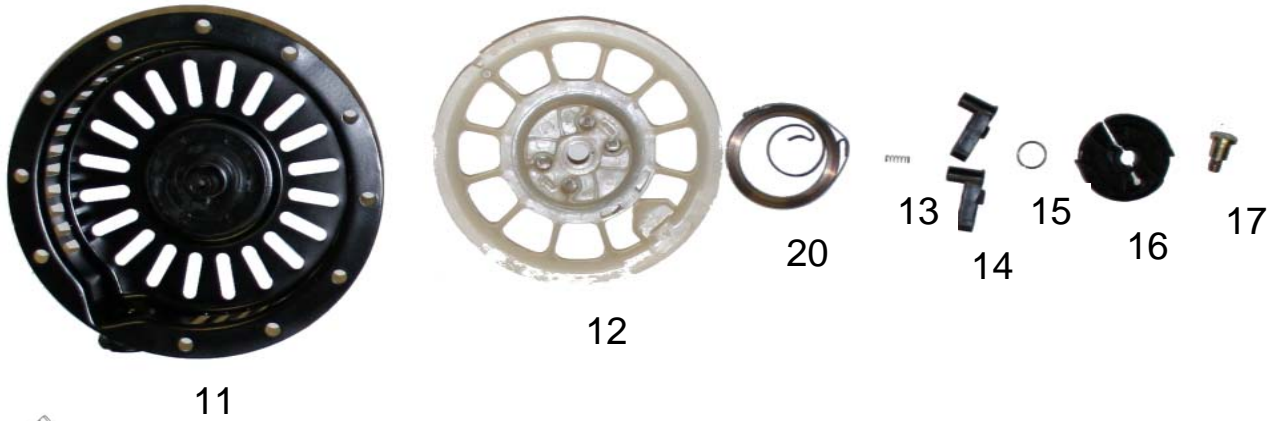


Model TG500 Throttle governor.

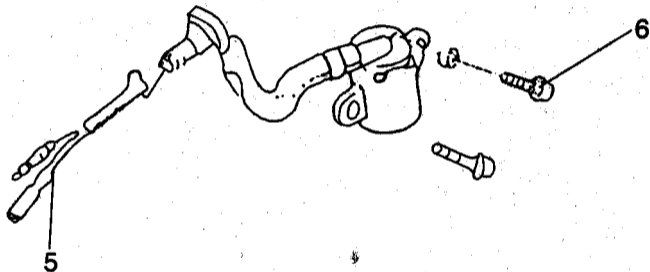
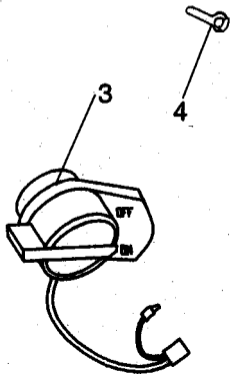
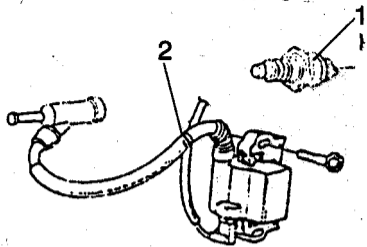
Pos	Vare nr. / Part no.	Qty	Beskrivelse	Description
1	290364	1	Gasregulering	Throttle control assembly
2	290365	1	Gasregulator fjeder	Governor spring
3	290366	1	Møtrik	Nut
4	290367	1	Bolt, for gasregulering	Bolt
5	290368	1	Gasregulerings arm	Governor arm
6	290369	1	Retur fjeder	Throttle returns pring
7	290370	1	Regulator stang	Governor rod
8	290371	1	Split	Snap ring
9	290372	1	Pakning	Gasket
10	290373	1	Stang	Speed-limiting push rod
11	290374	1	Glidebøs	Slide sheath
12	290375	1	Skive	Slide sheath gasket
13	290376	1	Låsering	Retainer ring
14	290377	2	Vægt	Weight
15	290378	2	Pin sæt for vægt	Weight pin
16	290379	1	Regulator	Variable gear



21



Pos	Vare nr. / Part no.	Qty	Beskrivelse	Description
1	291012	1	Starterhus	Starter outside case
2	290391	1	Startsnor	Starter rope
3	291007	1	Starthåndtag	Starter handle
4	291010	1	Snorhjul	Starter reel
5	291011	1	Startfjeder	Recoil starter spring
6	291019	2	Fjeder for pal metal	Spring for ratchet metal
7	291009	2	Pal	Ratchet
9	291008	1	Palholder	Reel cover
11	290390	1	Starterhus	Starter outside case
12	290388	1	Snorhjul	Starter reel
13	290385	1	Fjeder	Steel spring
14	290386	2	Pal Plastik	Ratchet plastic
15	290387	2	Lille ring for pal	Ratchet ring
16	290384	1	Palholder	Reel cover
17	290383	1	Låsebolt	Lock bolt
18	290291	5	Bolt M6x12	Bolt M6x12
19	290381	1	Blæserhus	Fan cover
20	290389	1	Startfjeder	Recoil starter spring
21	290380	1	Komplet rekylstart med metalpaler	Recoilstarter assy / metal ratches
	291003	1	Startertrisse	Starterratchet reel for new starter



Model TG500 Ignition system.

Pos	Vare nr. / Part no.	Qty	Beskrivelse	Description
1	290393	1	Tændrør	Spark plug
2	290394	1	Tændspole	Ignition winding
3	290395	1	Kontakt	Engine switch
4	290396	2	Bolt M6x25	Bolt M6x25
5	290397	1	Olie alarm	Low oil alarm
6	290398	2	Bolt M6x16	Bolt M6x16