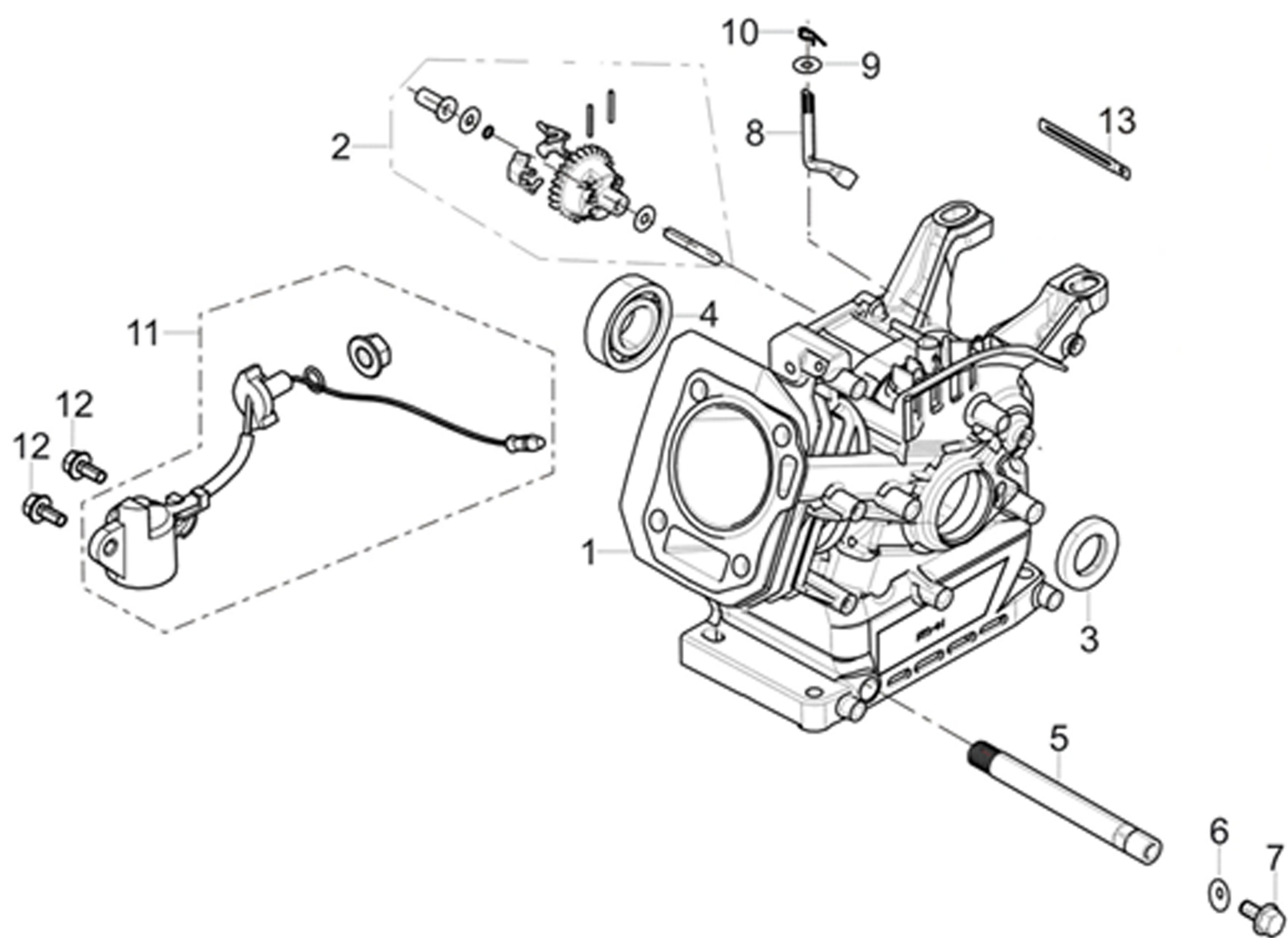
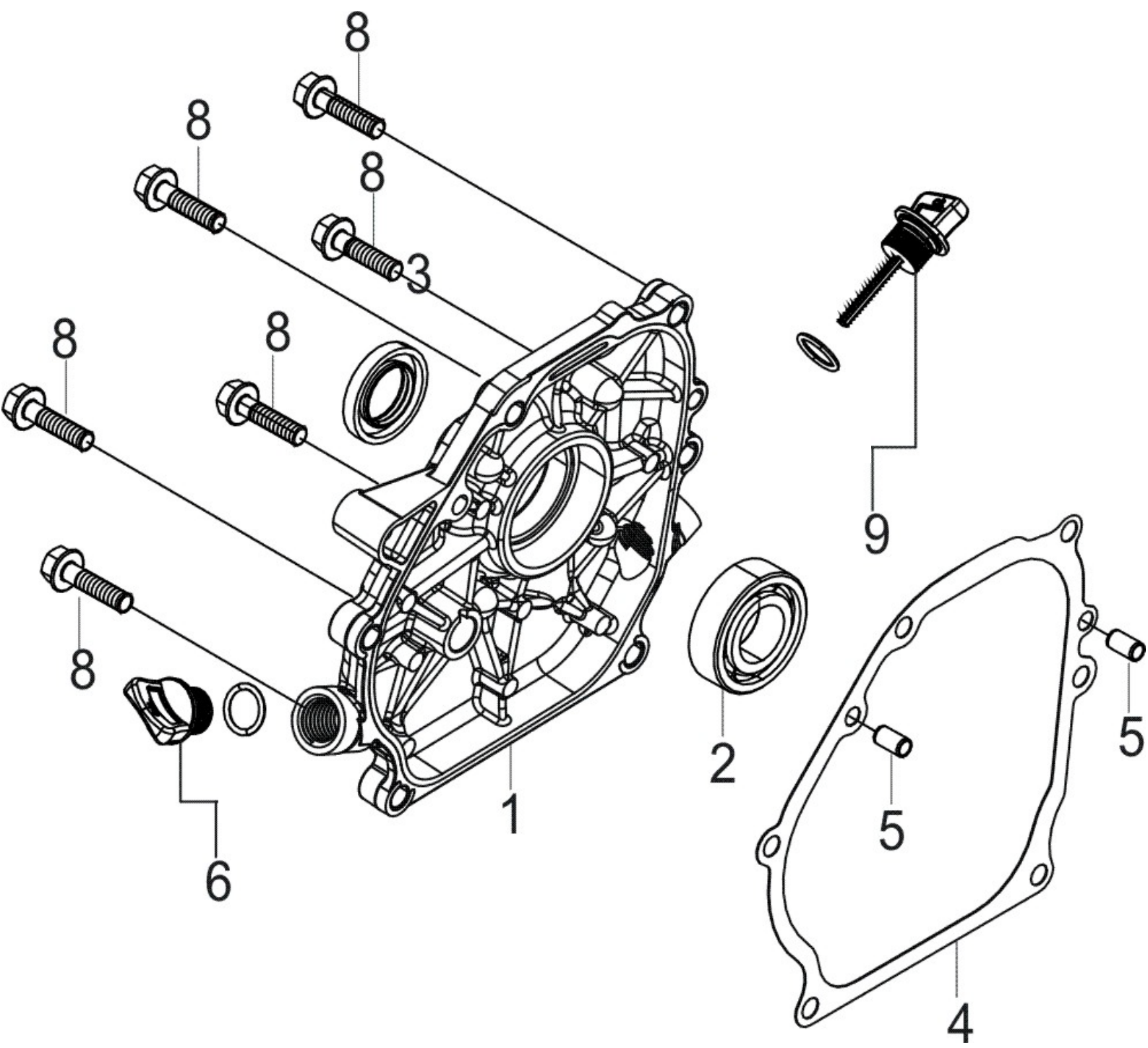


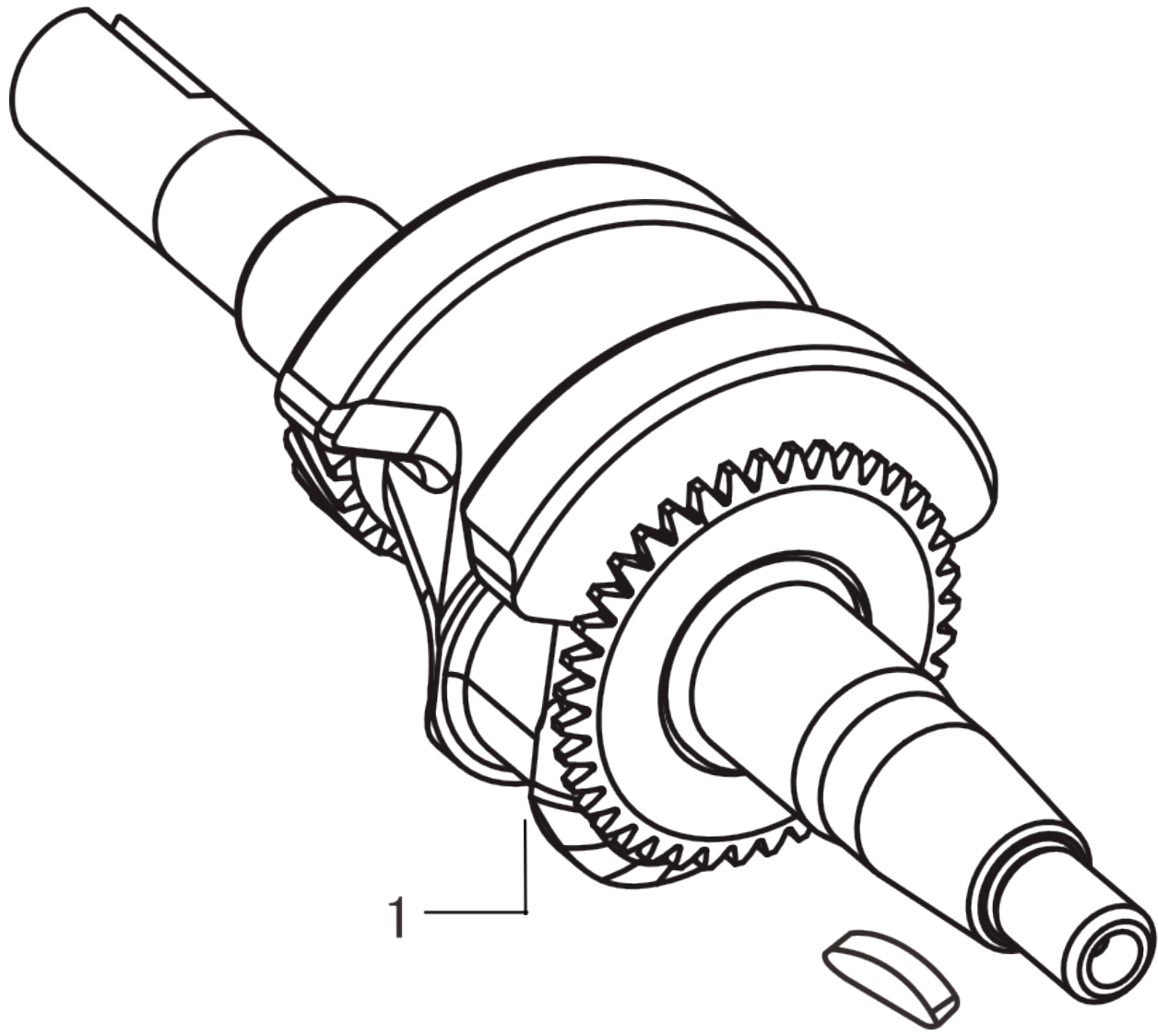
POS	QTY	PARTNUMBER	BESKRIVELSE	DESCRIPTION
4	1	421804	PAKNING	GASKET, CYLINDER HEAD
5	1	418544	VENTILDÆKSEL	CYLINDER HEAD
6	1	418545	VENTILDÆKSELPAKNING	GASKET
7	1	421805	ÅNDERØR	TUBE, BREATHER
8	4	418547	BOLT	BOLT
9	2	418548	STØDSTANG	PUSH ROD
10	2	418549	GEVINDSTYKKE	PUSH ROD
11	2	418398	PIN	PIN
12	4	418550	BOLT	BOLT
13	1	418494	TÆNDRØR	SPARK PLUGS
14	1	421806	TOPSTYKKE TG630S	HEAD SUBASSEMBLY, CYLINDER



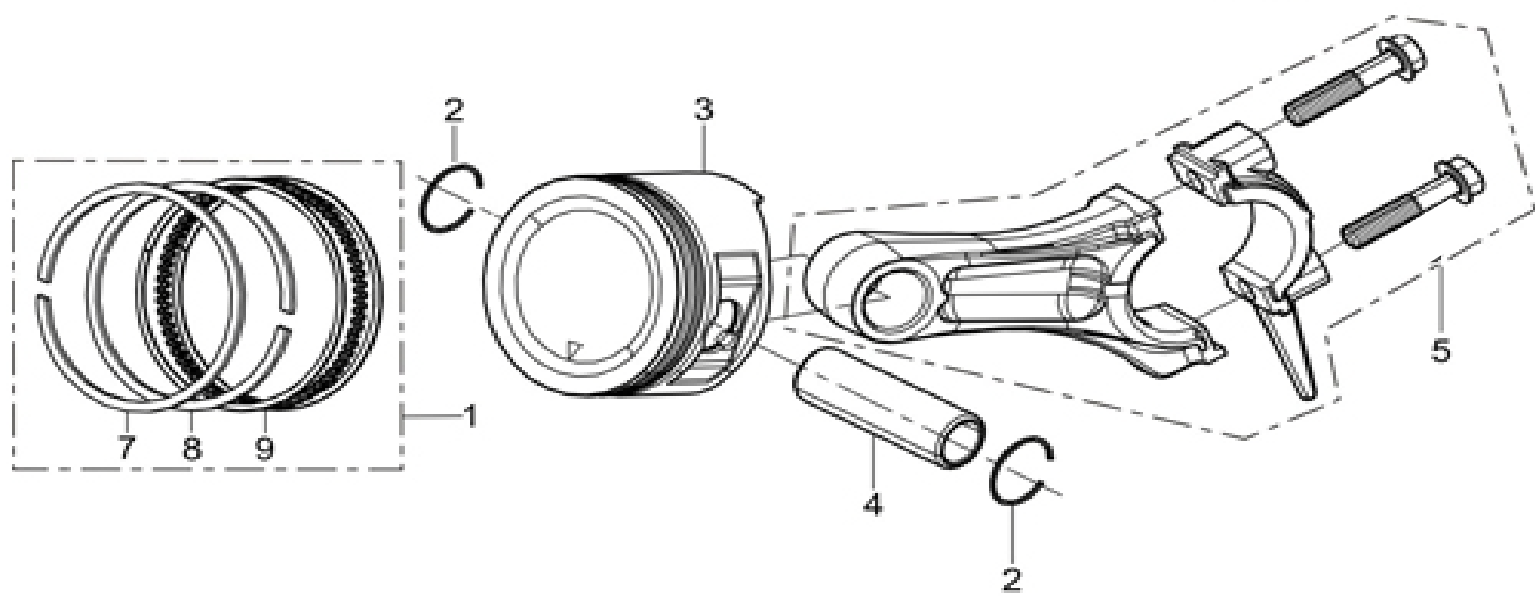
POS	QTY	PARTNUMBER	BESKRIVELSE	DESCRIPTION
1	1	421807	CYLINDER TG630S	CRANKCASE SUBASSEMBLY.
2	1	418552	GEAR	GEAR
3	1	421677	PAKDÅSE	SEAL, OIL
4	1	421808	LEJE TG630S	BEARING
5	1	421676	RØR	TUBE, OIL DRAIN
6	1	418555	SKIVE	WASHER
7	1	418554	BUNDPROP	PLUG
8	1	418553	ARM	LEVER
9	1	418414	SKIVE	WASHER
10	1	418416	LÅS	PIN
11	1	421679	SENSOR OLIE	SENSOR, ENGINE OIL
12	2	421678	BOLT	BOLT
13	1	418535	CLIPS	CLIPS



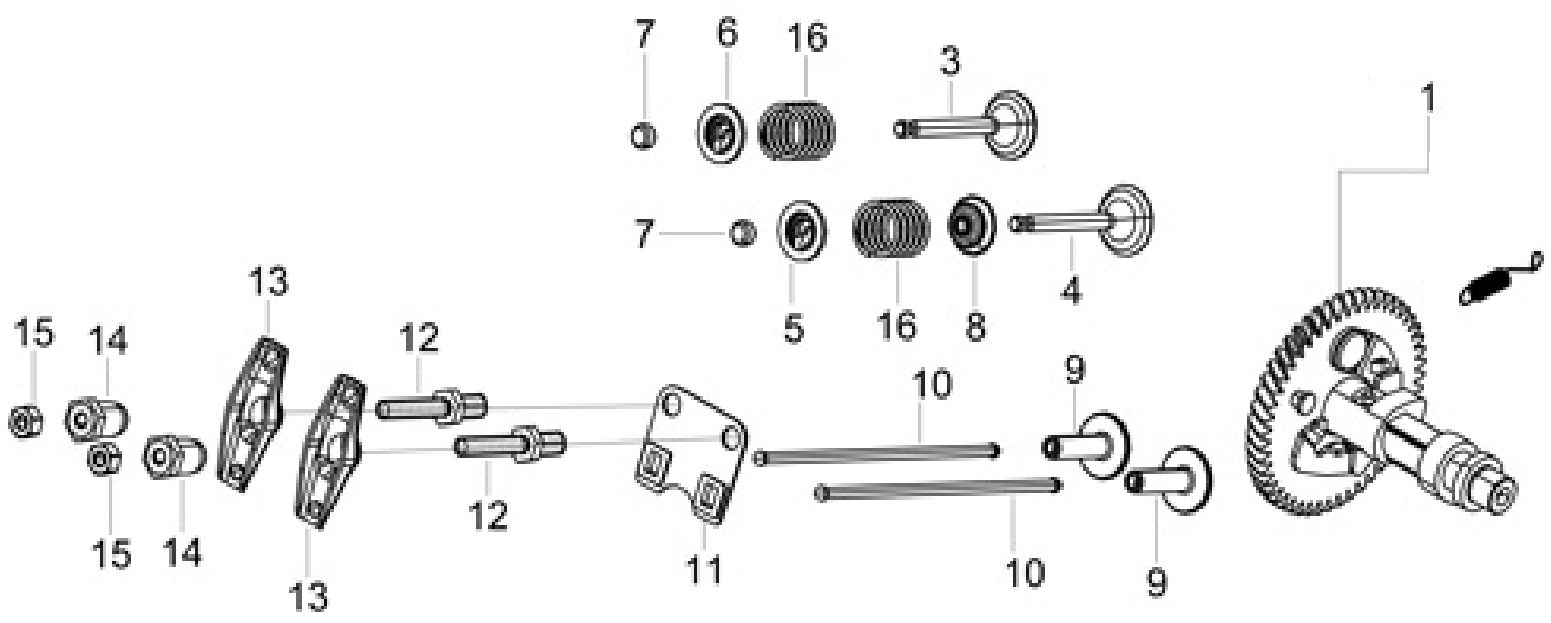
POS	QTY	PARTNUMBER	BESKRIVELSE	DESCRIPTION
1	1	421809	BUNDDÆKSEL TG630S	COVER, CRANKCASE
2	1	421808	LEJE TG630S	BEARING
3	1	421677	PAKDÅSE	SEAL, OIL
4	1	418559	PAKNING	GASKET
5	2	418418	PIN	PIN
6	1	421682	OLIEPROP	PLUG SUBASSEMBLY, ENGINE OIL
8	6	418562	BOLT	BOLT
9	1	421810	OLIDEPIND TG630S	DIPSTICK SUBASSEMBLY, OIL



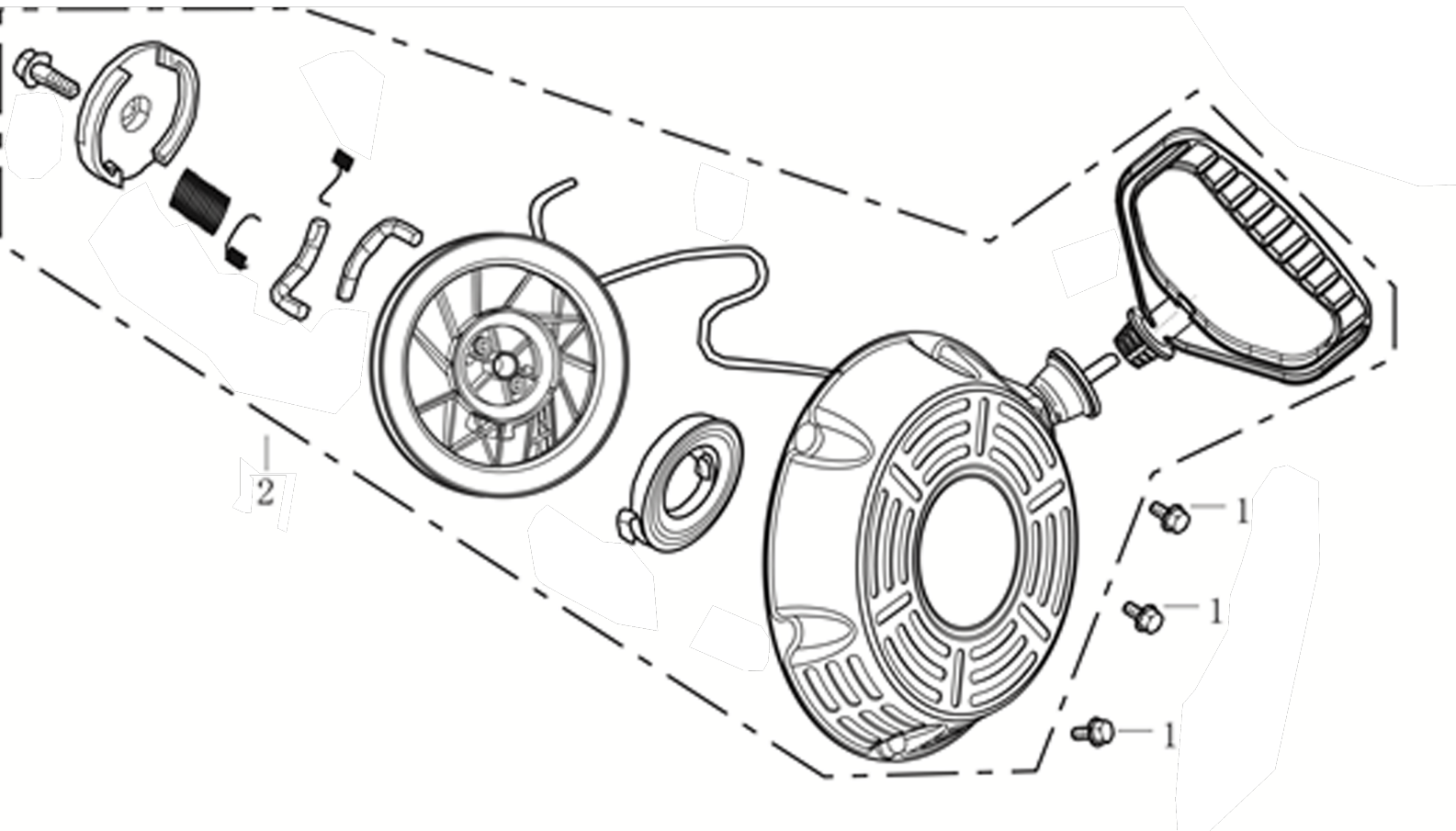
POS	QTY	PARTNUMBER	BESKRIVELSE	DESCRIPTION
1	1	421683	KRUMTAP	CRANKSHAFT ASSY.



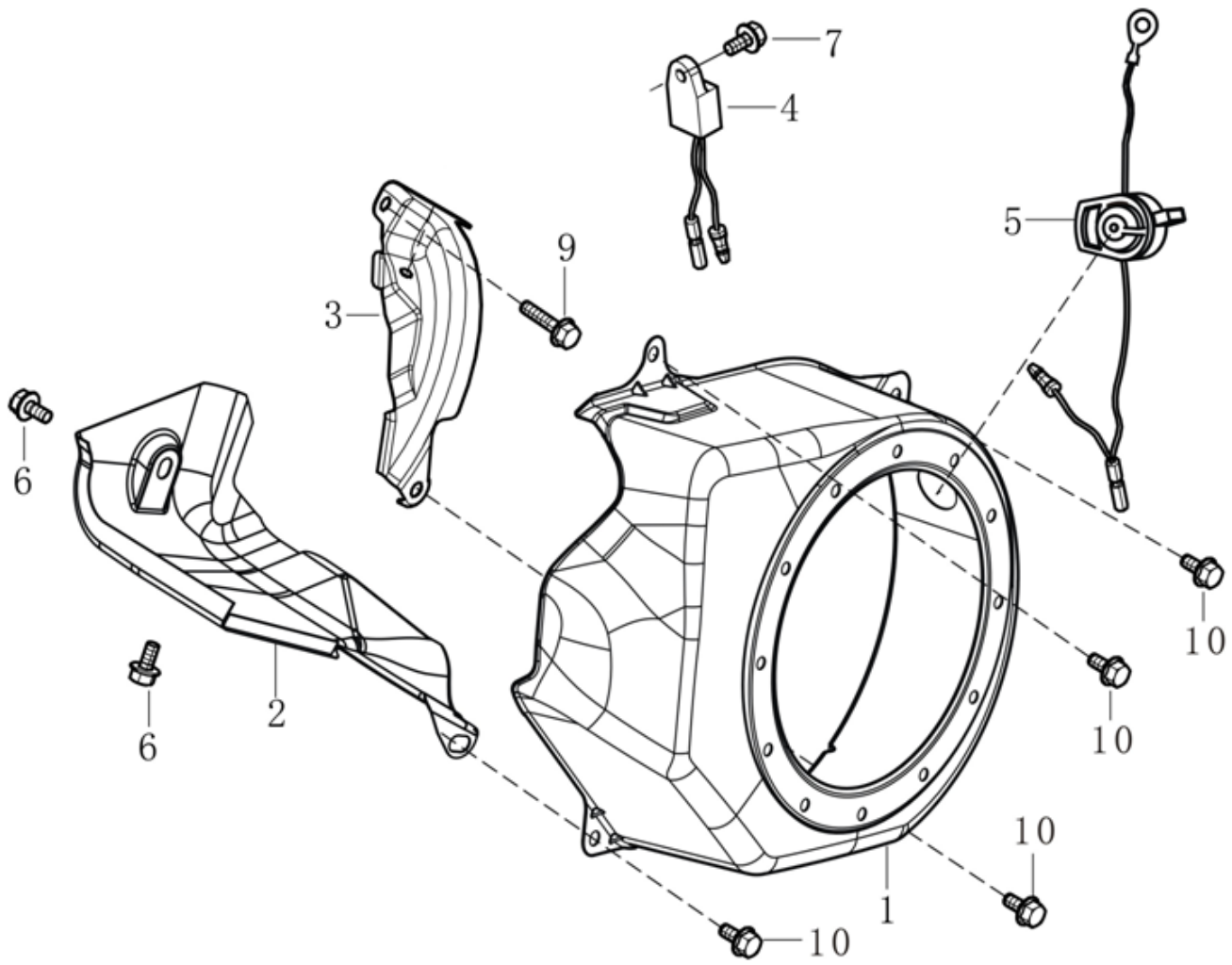
POS	QTY	PARTNUMBER	BESKRIVELSE	DESCRIPTION
2	2	418430	LÅSERING POSE 1 STK.PR	LOCKING RING 2STK.PR. POSE
3	1	418701	STEMPEL	PISTON
4	1	418702	KRYDSPIND	CROSSHEAD TUBE
5	1	421684	HOLDER	ROD, CONNECTING
7	1	418704	STEMPELRING	PISTON RING
8	1	418705	STEMPELRING	PISTON RING
9	1	418700	STEMPELRING	PISTON RING



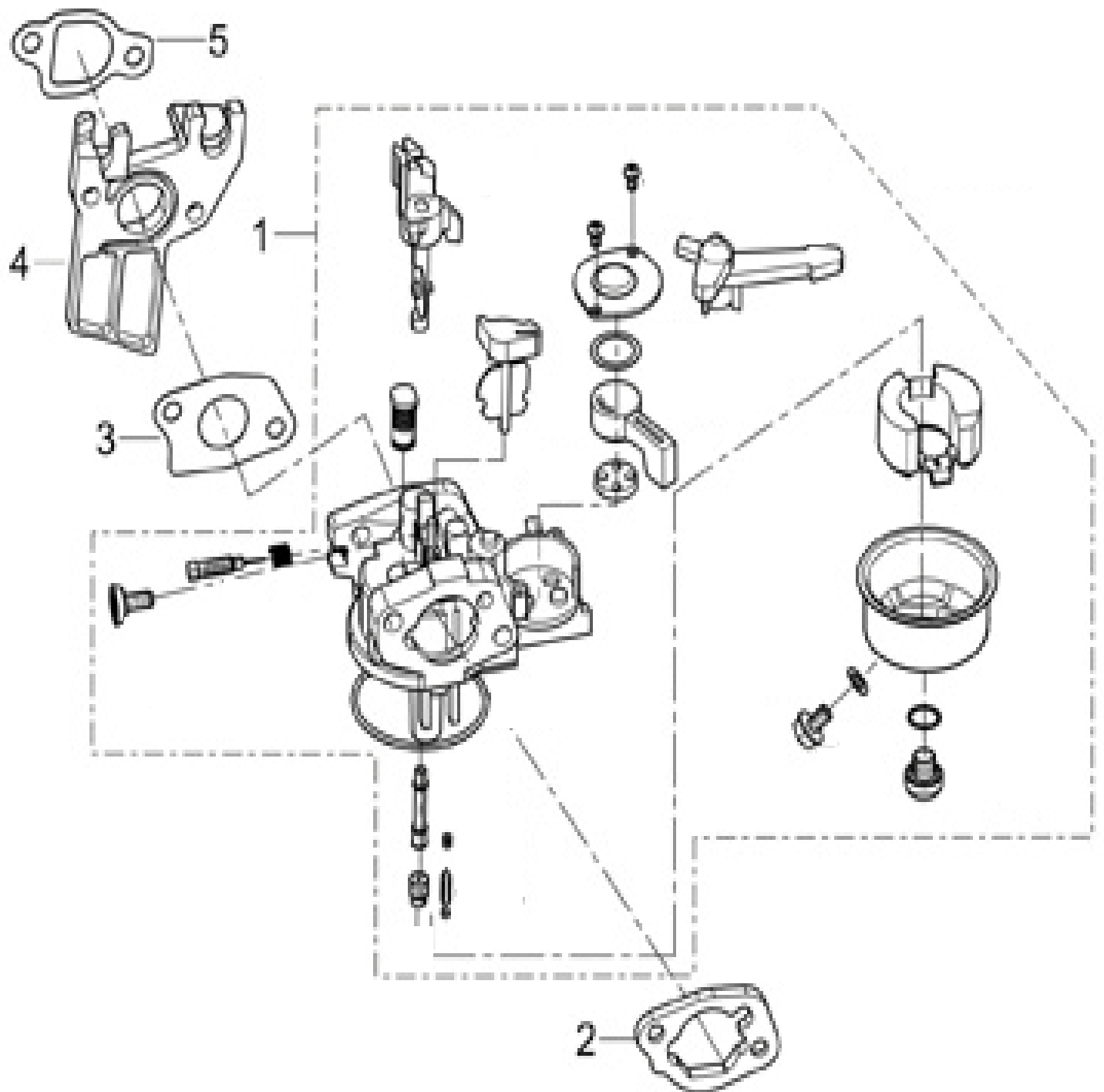
POS	QTY	PARTNUMBER	BESKRIVELSE	DESCRIPTION
1	1	421685	KNASTAKSEL	CAMSHAFT ASSY.
3	1	421686	UDSTØDNINGSVENTIL	VALVE, EXHAUST
4	1	418441	INDSUGNINGSVENTIL	EXHAUST VALVE
5	1	418436	SÆDE	SEAT
6	1	418571	SÆDE	SEAT
7	2	418572	PAKDÅSE	OIL SEAL
8	1	418573	PAKDÅSE	OIL SEAL
9	2	418574	STØDSTANGSFOD	VALVE
10	2	418443	STØDSTANG	PUSH ROD
11	1	418575	STYREPLADE	GUIDE PLATE
12	2	418440	PINBOLT	PIN BOLT
13	2	418437	VIPPEARM	ROCKING LEVER
14	2	418435	JUSTERINGSMØTRIK	ADJUSTMENT NUT
15	2	418434	MØTRIK	NUT
16	2	418438	VENTILFJEDER	VALVE SPRING



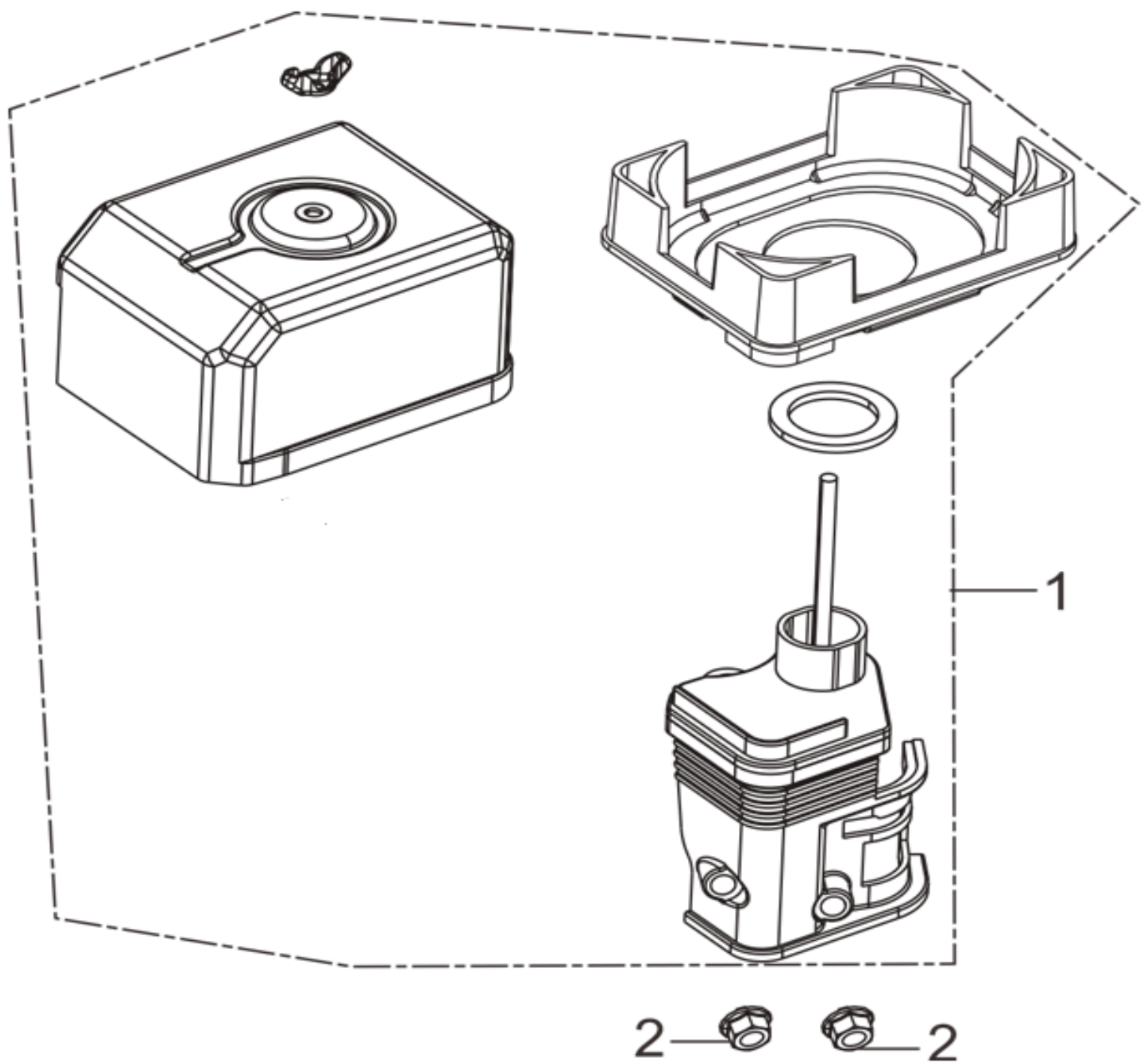
POS	QTY	PARTNUMBER	BESKRIVELSE	DESCRIPTION
1	3	418576	BOLT	BOLT
2	1	421687	REKYLSTARTER SNOWKING	STARTER ASSY, RECOIL



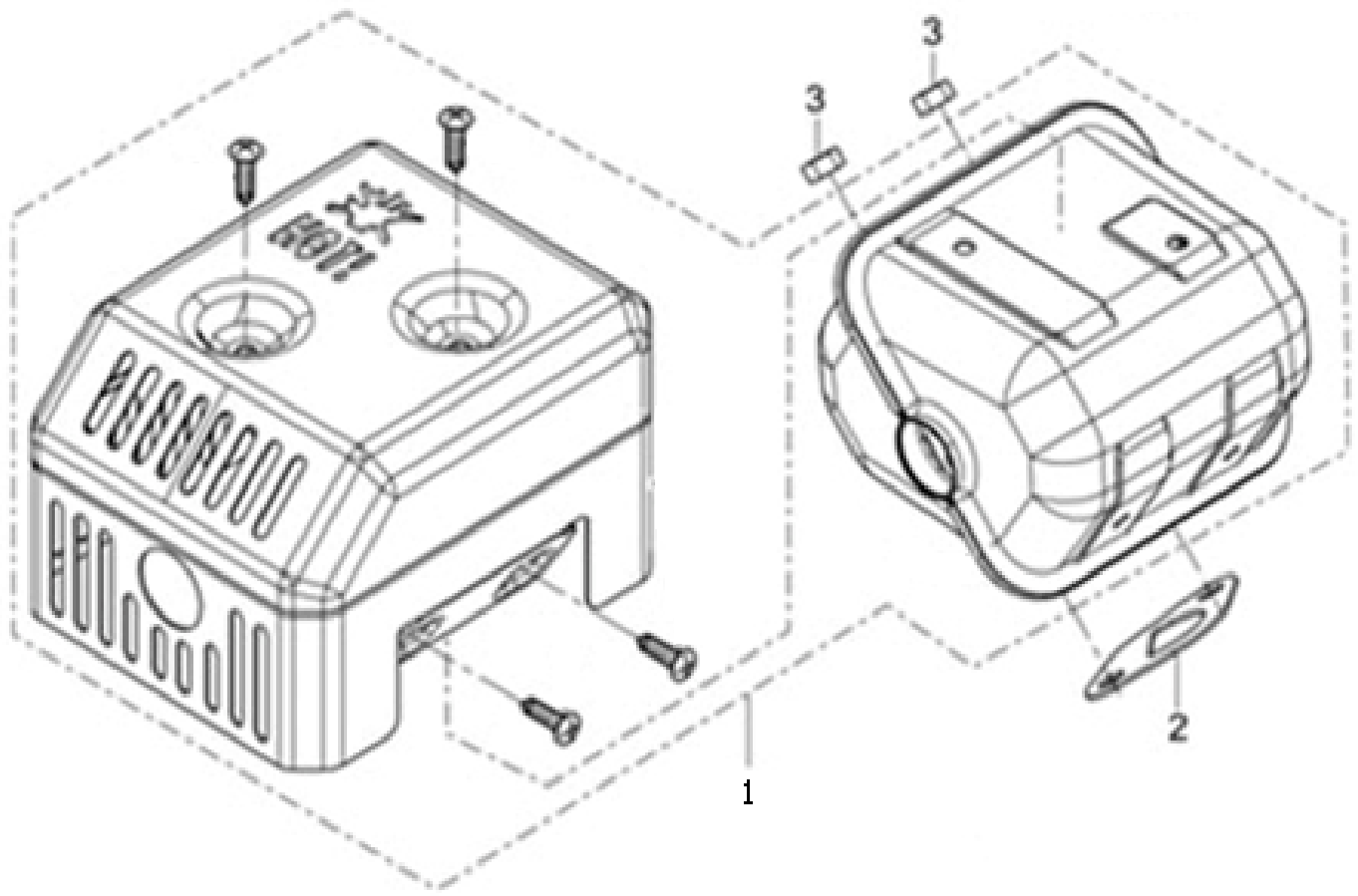
POS	QTY	PARTNUMBER	BESKRIVELSE	DESCRIPTION
1	1	421811	KNASTAKSEL TG630S	SHROUD
2	1	418710	DÆKSEL	LID
3	1	418580	MOTORDÆKSEL	LID
4	1	421688	BESKYTTER OLIE	PROTECTOR, OIL
5	1	421812	SÆDE TG630S	SWITCH SUBASSEMBLY, STOP ENGINE
6	2	418581	BOLT	BOLT
7	1	418581	BOLT	BOLT
9	1	421678	BOLT	BOLT
10	4	418547	BOLT	BOLT



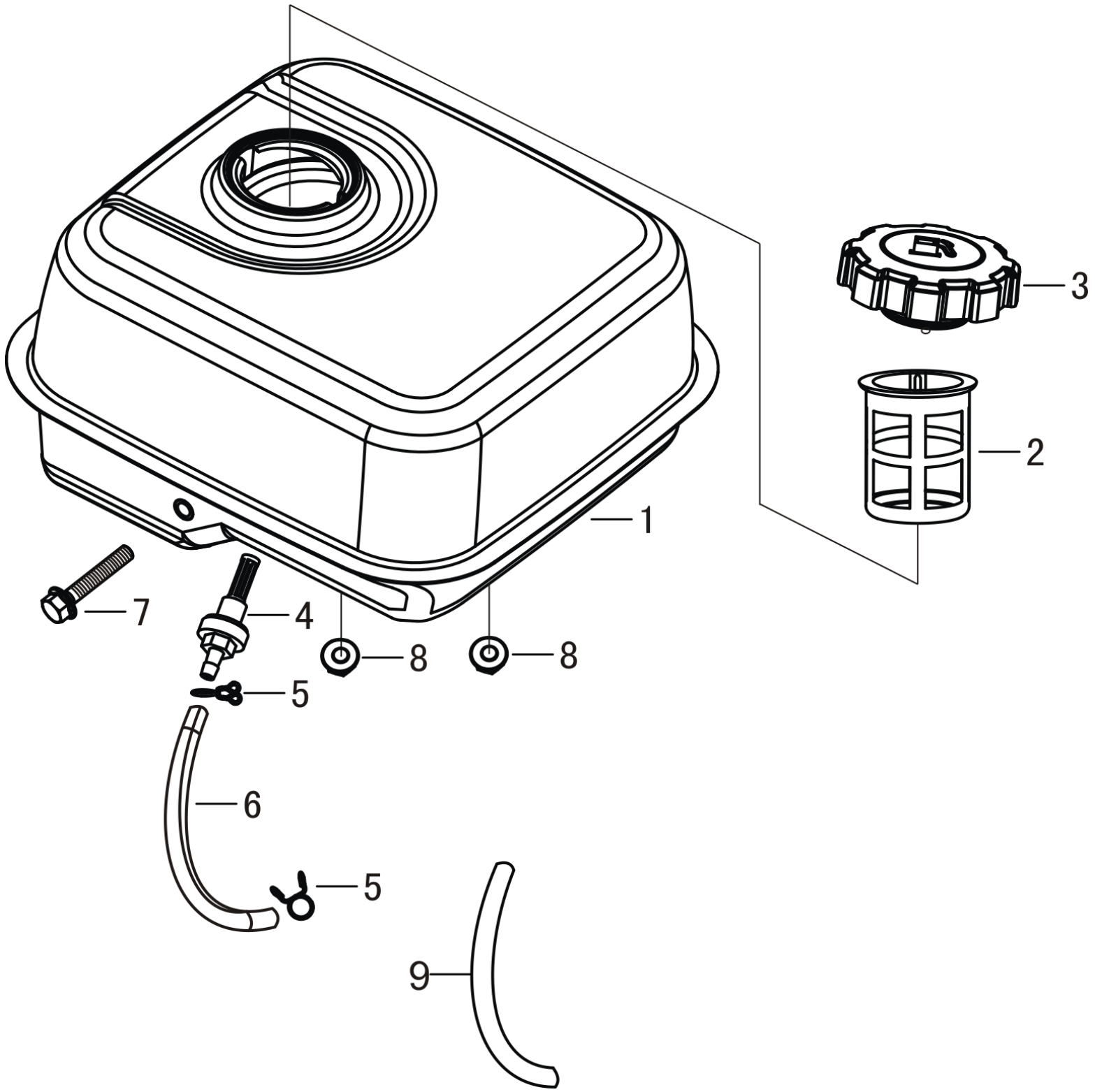
POS	QTY	PARTNUMBER	BESKRIVELSE	DESCRIPTION
1	1	421813	KARBURATOR TG630S	CARBURETOR ASSY.
2	1	418584	LUFTFILTER PAKNING	GASKET
3	1	418457	KARBURATOR PAKNING	GASKET
4	1	418585	STÅLPLADE	PLATE
5	1	418713	PAKNING	GASKET



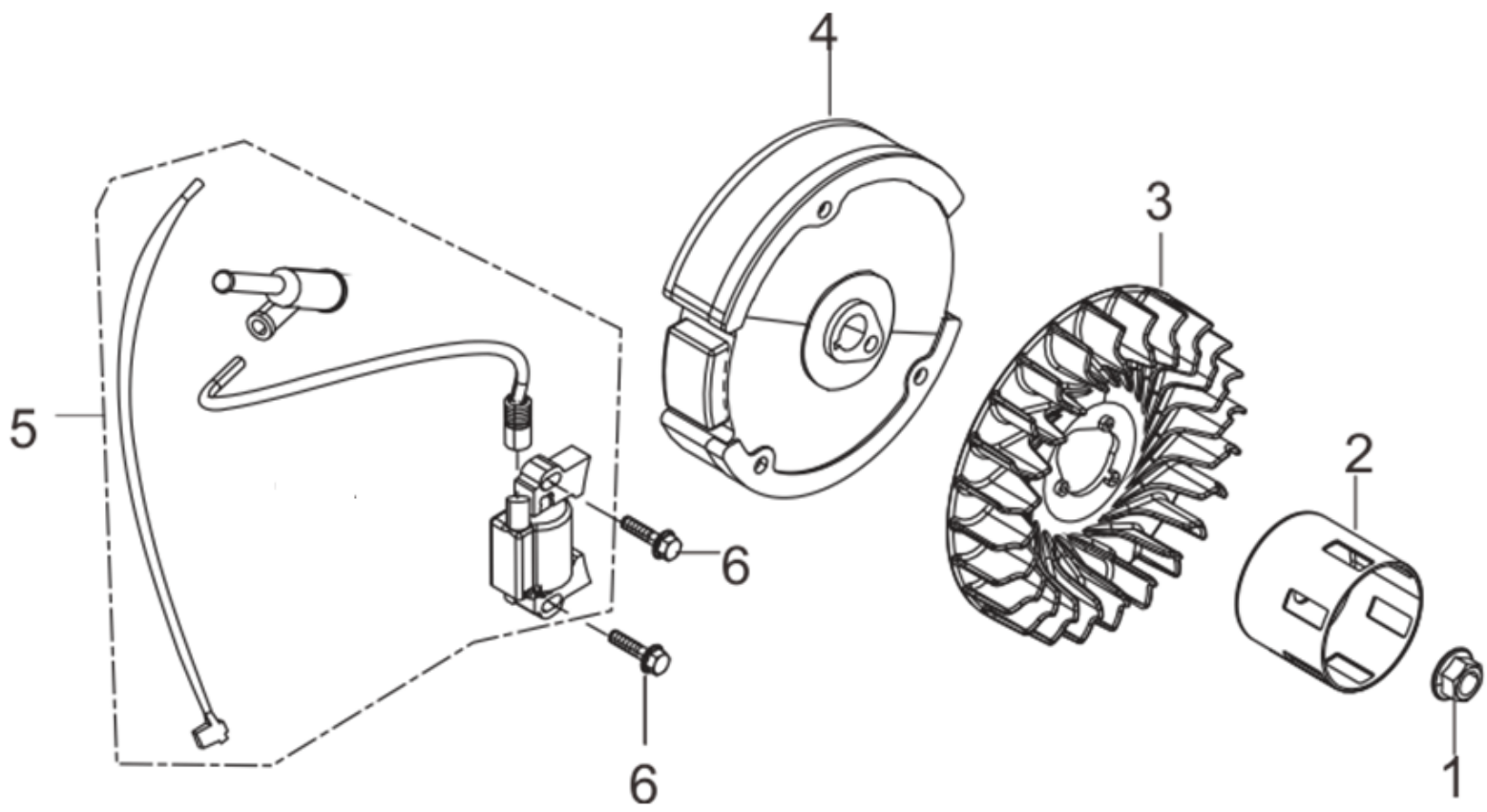
POS	QTY	PARTNUMBER	BESKRIVELSE	DESCRIPTION
1	1	421814	LUFTFILTERHUS TG630S	CLEANER, AIR
2	2	418448	MØTRIK	NUT



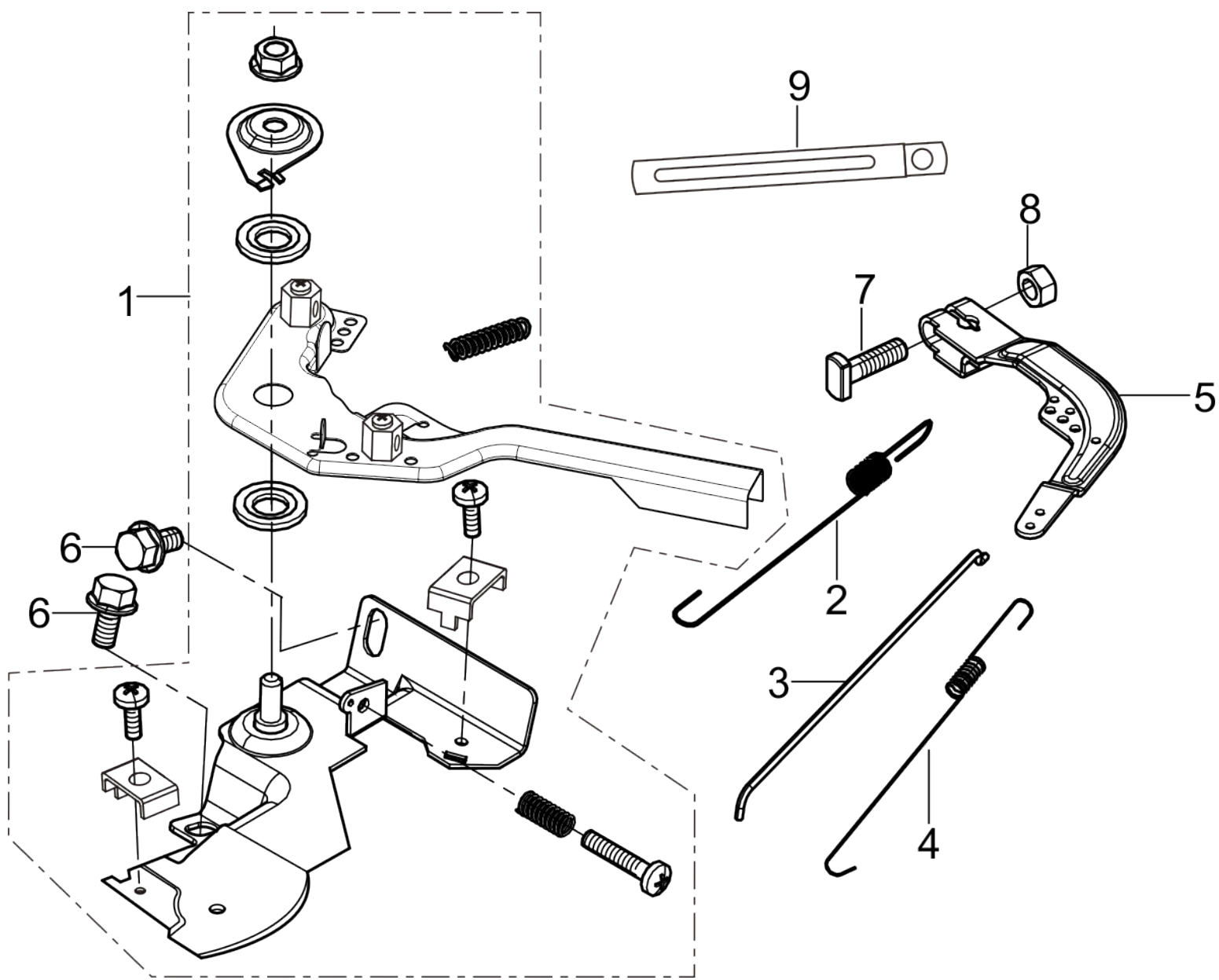
POS	QTY	PARTNUMBER	BESKRIVELSE	DESCRIPTION
1	1	421815	UDSTØDNING TG630S	MUFFLER ASSY.
2	1	418588	PAKNING	GASKET
3	2	418589	MØTRIK M8	NUT M8



POS	QTY	PARTNUMBER	BESKRIVELSE	DESCRIPTION
1	1	421816	BRÆNDSTOFTANK TG630S	TANK, FUEL
2	1	418592	FILTER	FILTER
3	1	421703	TANKDÆKSEL	COVER, FUEL TANK
4	1	418594	TANKSTUDS	NOZZLE PIPE
5	2	418595	KLEMME	CLAMP
6	1	421704	BRÆNDSTOFSLANGE	TUBE, FUEL
7	1	418597	BOLT	BOLT
8	2	418448	MØTRIK	NUT
9	1	420379	SLANGE	HOSE



POS	QTY	PARTNUMBER	BESKRIVELSE	DESCRIPTION
1	1	418476	MØTRIK	NUT
2	1	418598	STARTERTRISSE	STARTER SPOOL
3	1	418478	BLÆSEHJUL	FAN
4	1	418599	SVINGHJUL	FLYWHEEL
5	1	418600	TÆENDSPOLE	IGNITION COIL TG720/TG620
6	2	418601	BOLT	BOLT



POS	QTY	PARTNUMBER	BESKRIVELSE	DESCRIPTION
1	1	421817	REGULATOR TG630S	CONTROL ASSY, THROTTLE
2	1	421818	FJEDER TG630S	SPRING, GOVERNOR
3	1	418604	STANG	ROD
4	1	418605	REGULATORFJEDER	SPRING
5	1	418606	ARM	LEVER
6	2	418581	BOLT	BOLT
7	1	418488	BOLT TIL ARM	BOLT
8	1	418448	MØTRIK	NUT
9	1	418535	CLIPS	CLIPS