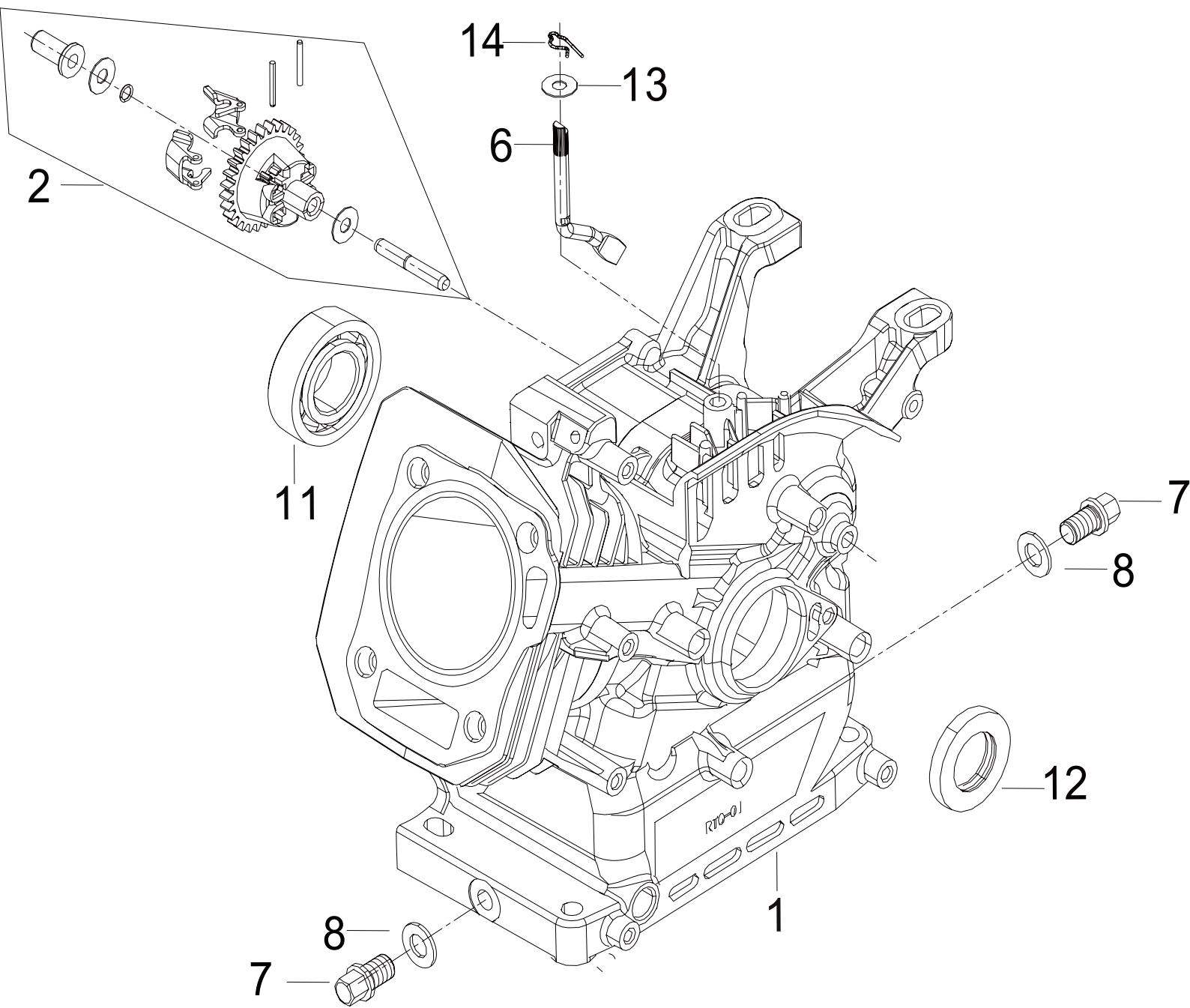
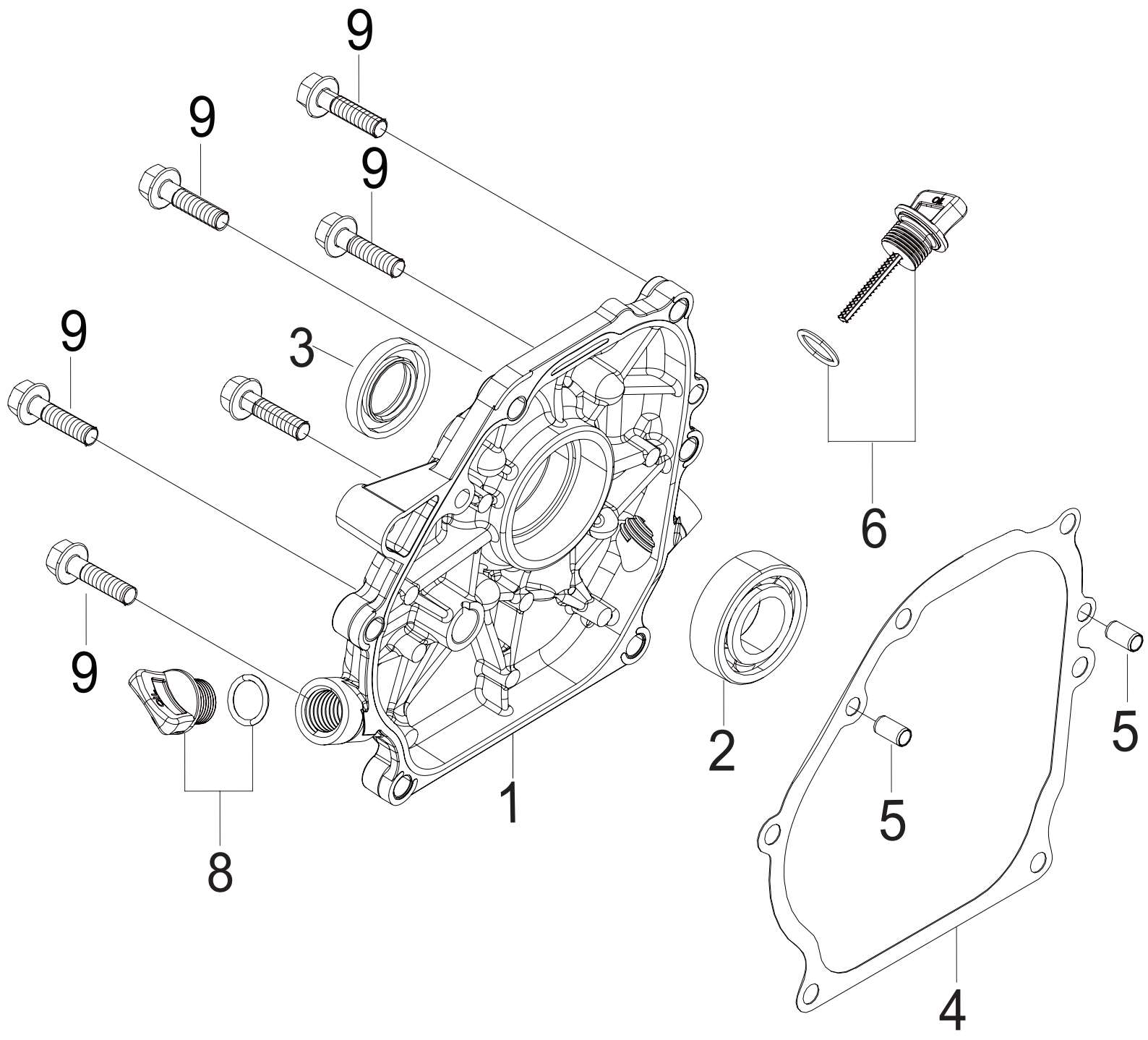


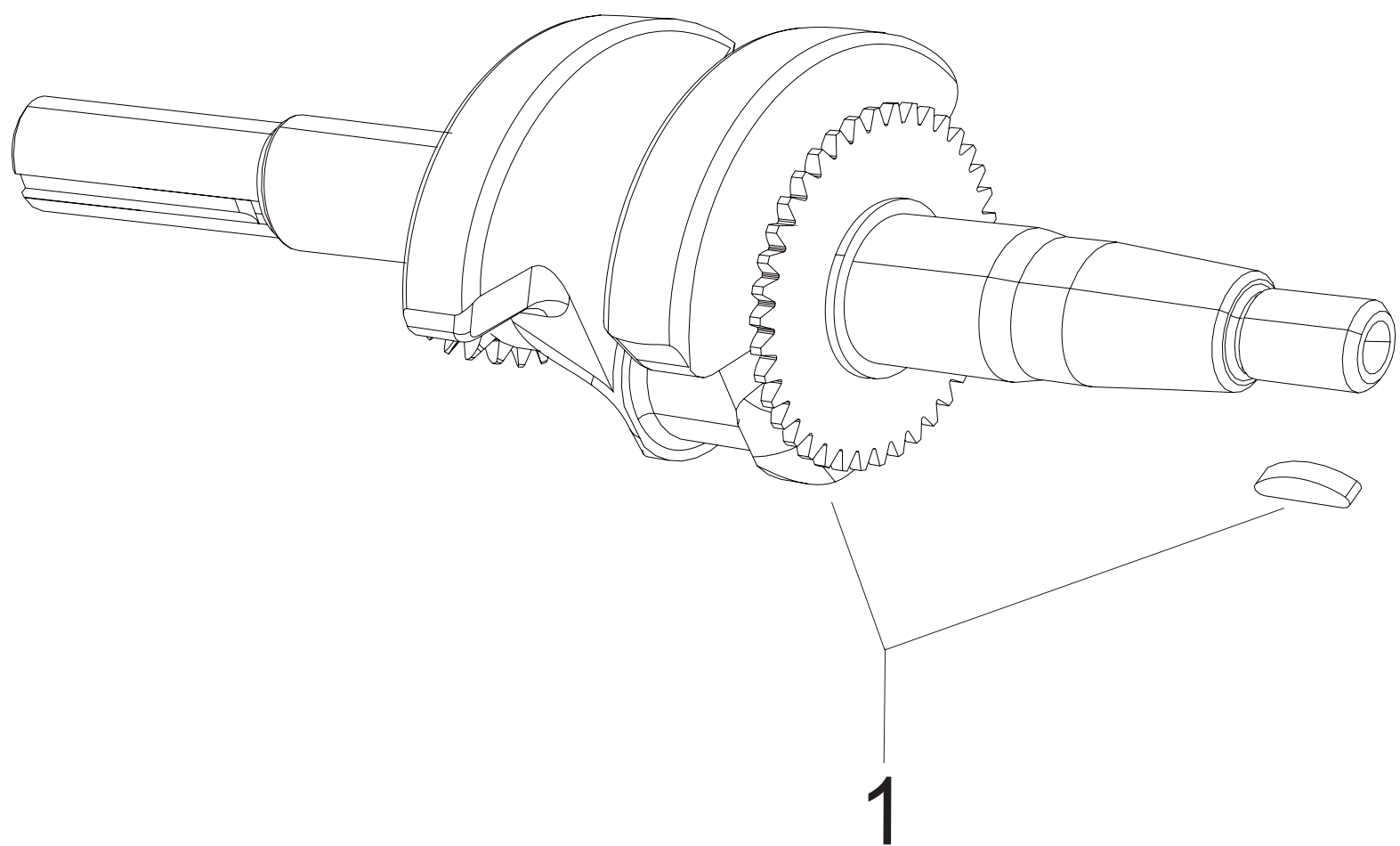
POS	QTY	PARTNUMBER	BESKRIVELSE	DESCRIPTION
1	1	418690	CYLINDER	HEAD SUBASSEMBLY, CYLINDER
4	1	418691	PAKNING	GASKET, CYLINDER HEAD
5	1	418692	TOPSTYKKE	COVER SUBASSEMBLY, CYLINDER HEAD(BLACK)
6	1	418693	PAKNING	GASKET, CYLINDER HEAD COVER
7	1	418546	ÅNDERØR	BREATHER TUBE
8	4	418547	BOLT	BOLT
9	2	418548	STØDSTANG	PUSH ROD
10	2	418549	STØDSTANG	PUSH ROD
11	2	418694	PIN	PIN
12	4	418550	BOLT	BOLT
13	1	418494	TÆNDRØR	SPARK PLUGS



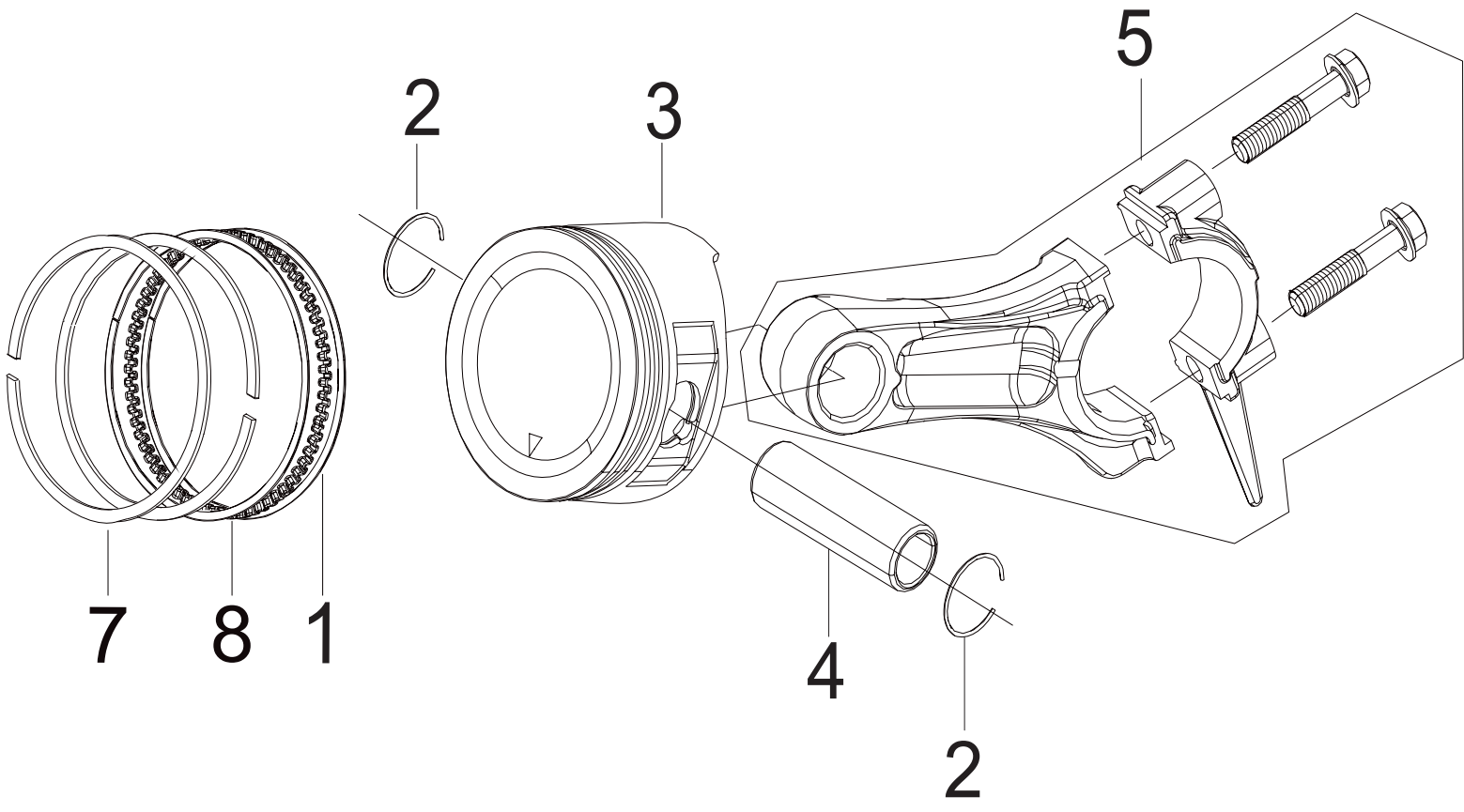
POS	QTY	PARTNUMBER	BESKRIVELSE	DESCRIPTION
1	1	418695	KRUMTAPHUS	CRANKCASE SUBASSEMBLY.
2	1	418552	GEAR	GEAR
6	1	418553	ARM	LEVER
7	2	418554	BUNDPROP	PLUG
8	2	418555	SKIVE	WASHER
11	1	418556	LEJE	BEARING
12	1	418557	PAKDÅSE	OIL SEAL
13	3	418414	SKIVE	WASHER
14	1	418416	PIN	PIN



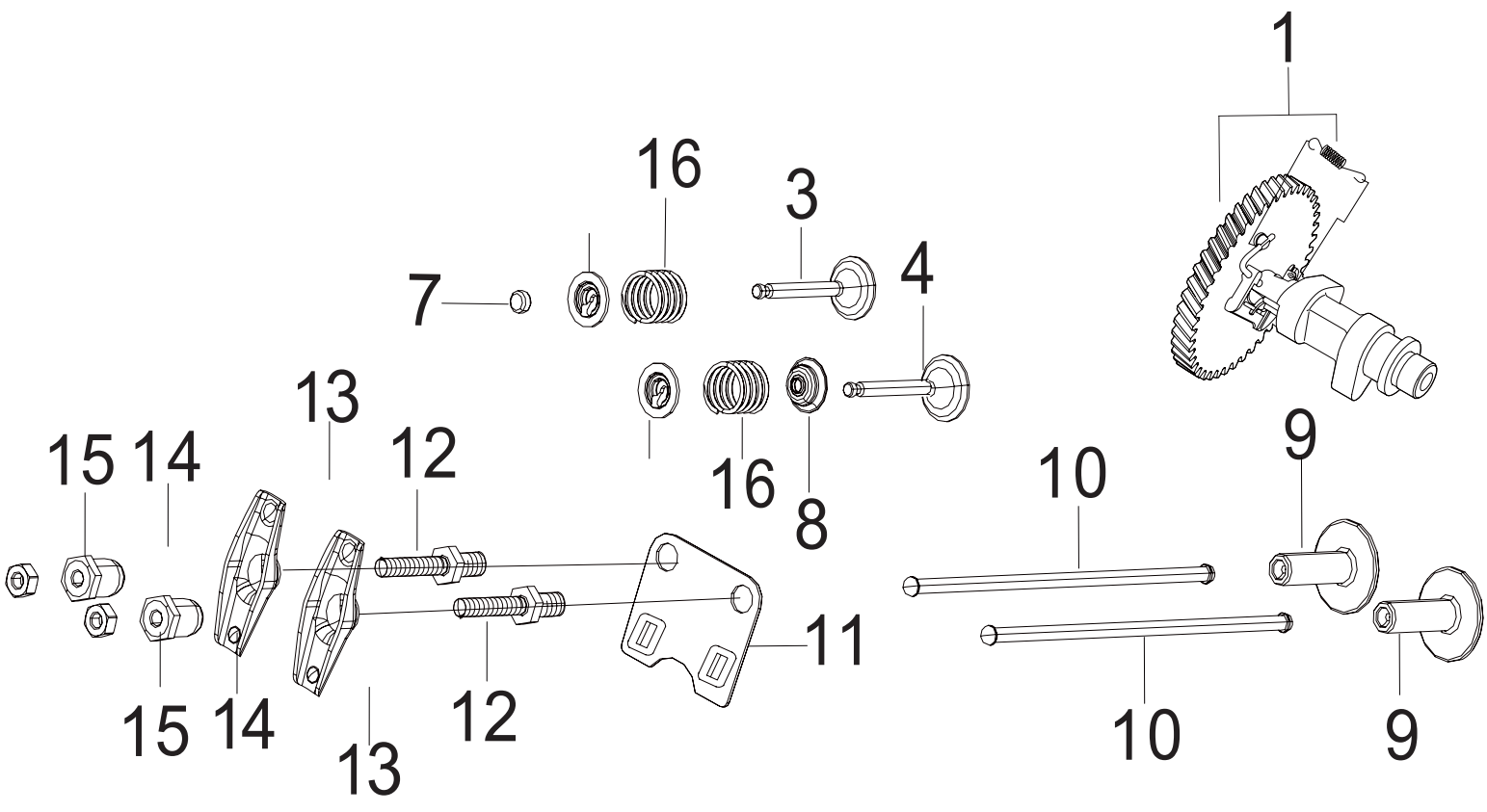
POS	QTY	PARTNUMBER	BESKRIVELSE	DESCRIPTION
1	1	418696	BUNDDÆKSEL	COVER ASSY, CRANKCASE
2	1	418556	LEJE	BEARING
3	1	418557	PAKDÅSE	OIL SEAL
4	1	418697	PAKNING	GASKET, CRANKCASE
5	2	418698	PIN	PIN
6	1	418560	OLIEPIND	OIL DIPSTICK
8	1	418561	BUNDSKRUE	BOLT
9	6	418562	BOLT	BOLT



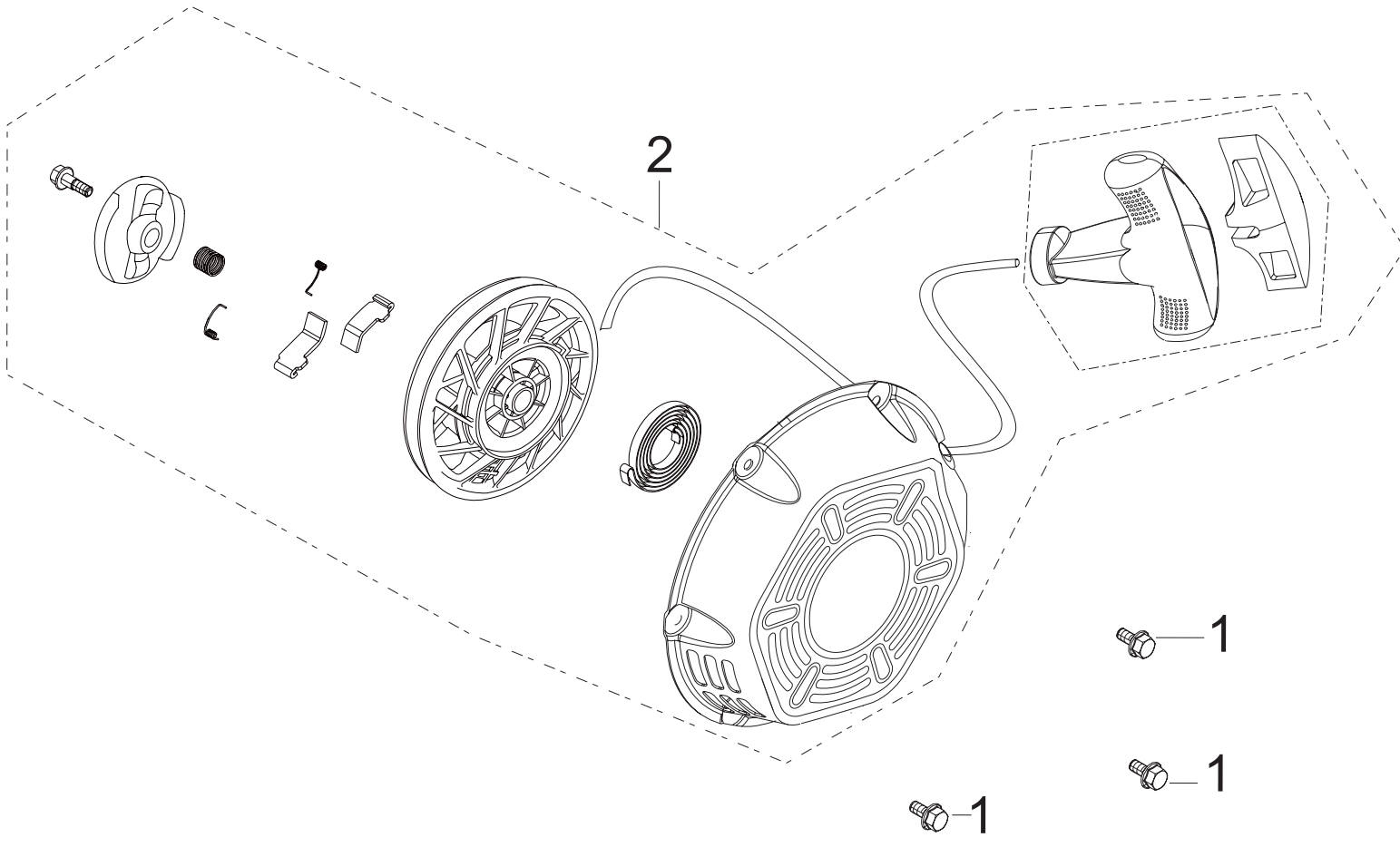
POS	QTY	PARTNUMBER	BESKRIVELSE	DESCRIPTION
1	1	418699	KRUMTAP	CRANKSHAFT ASSY.



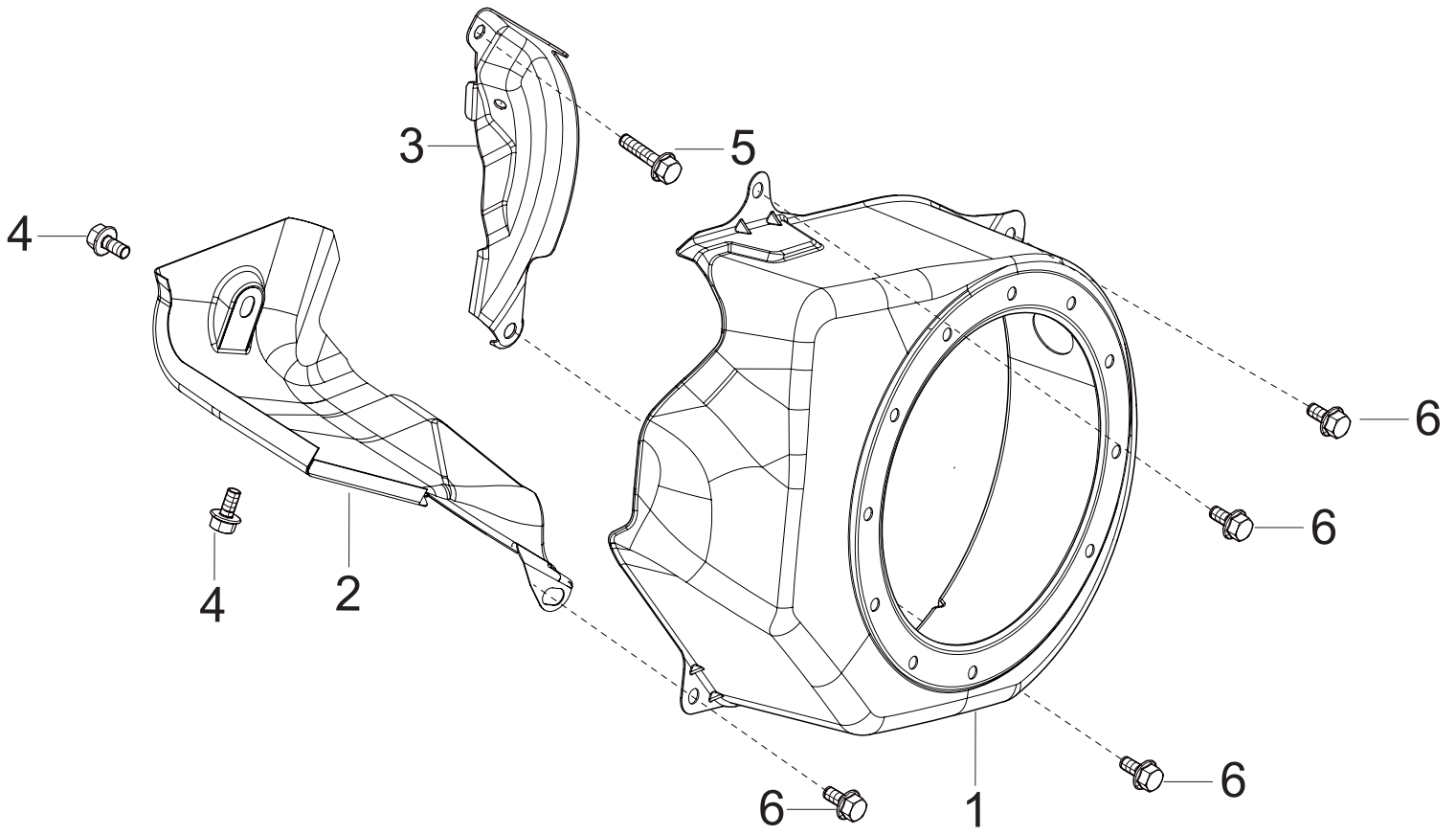
POS	QTY	PARTNUMBER	BESKRIVELSE	DESCRIPTION
1	1	418700	STEMPELRING	RING SET, OIL
2	2	418430	LÅSERING	LOCKING RING
3	1	418701	STEMPEL	PISTON ASSY.
4	1	418702	KRYDSPIND	PIN, PISTON
5	1	418703	PEJLSTANG KOMPLET	ROD, CONNECTING
7	1	418704	STEMPELRING	RING, THE FIRST
8	1	418705	STEMPELRING	RING, THE SECOND



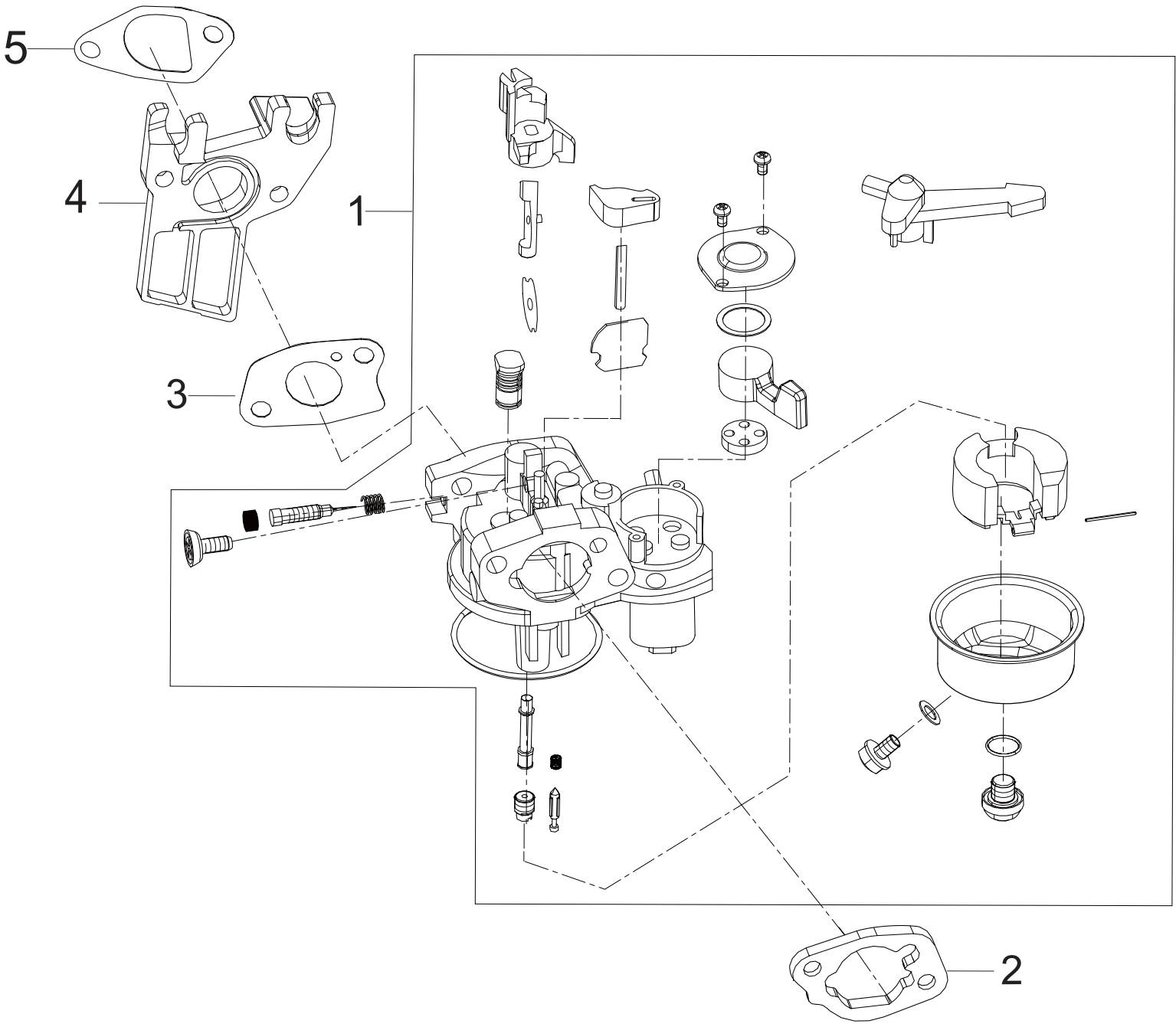
POS	QTY	PARTNUMBER	BESKRIVELSE	DESCRIPTION
1	1	418706	KNASTAKSEL	CAMSHAFT ASSY.
3	1	418570	UDSTØDNINGSVENTIL	EXHAUST VALVE
4	1	418441	INDSUGNINGSVENTIL	INTAKE VALVE
5	1	418436	SÆDE	SEAT
6	1	418571	SÆDE	SEAT
7	1	418572	PAKDÅSE	OIL SEAL
8	1	418573	PAKDÅSE	OIL SEAL
9	2	418707	STØDSTANGSFOD	TAPPET, VALVE
10	2	418708	STØDSTANG	LIFTER, VALVE
11	1	418709	STYREPLADE	PLATE SUBASSEMBLY, LIFTER STOPPER
12	2	418440	PINBOLT	PIN BOLT
13	2	418437	VIPPEARM	ROCKING LEVER
14	2	418435	JUSTERINGSMØTRIK	ADJUSTMENT NUT
15	2	418434	MØTRIK	NUT
16	2	418438	VENTILFJEDER	VALVE SPRING



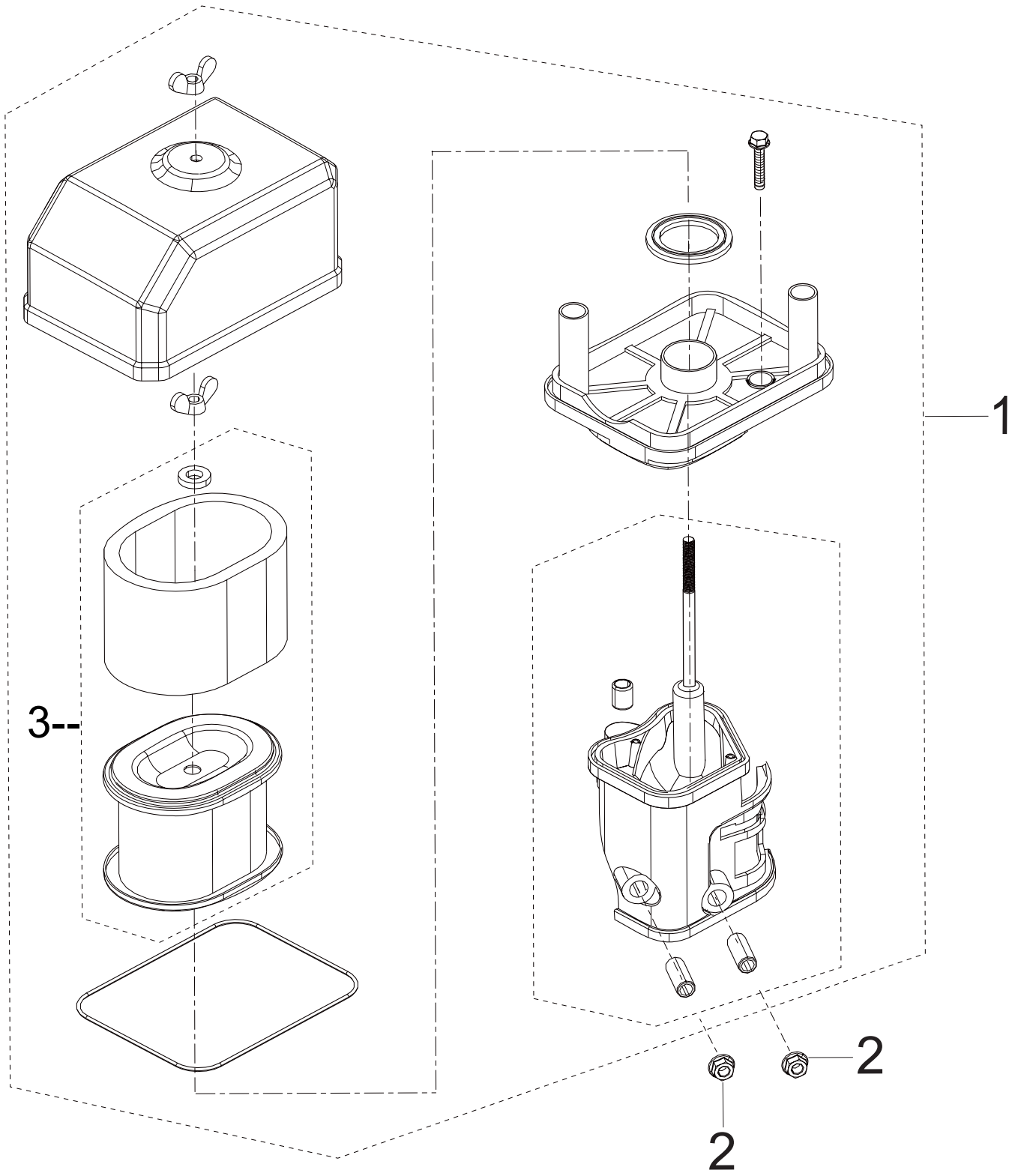
POS	QTY	PARTNUMBER	BESKRIVELSE	DESCRIPTION
1	3	418576	BOLT	BOLT
2	1	418577	REKYLSTARTER	RECOILSTARTER



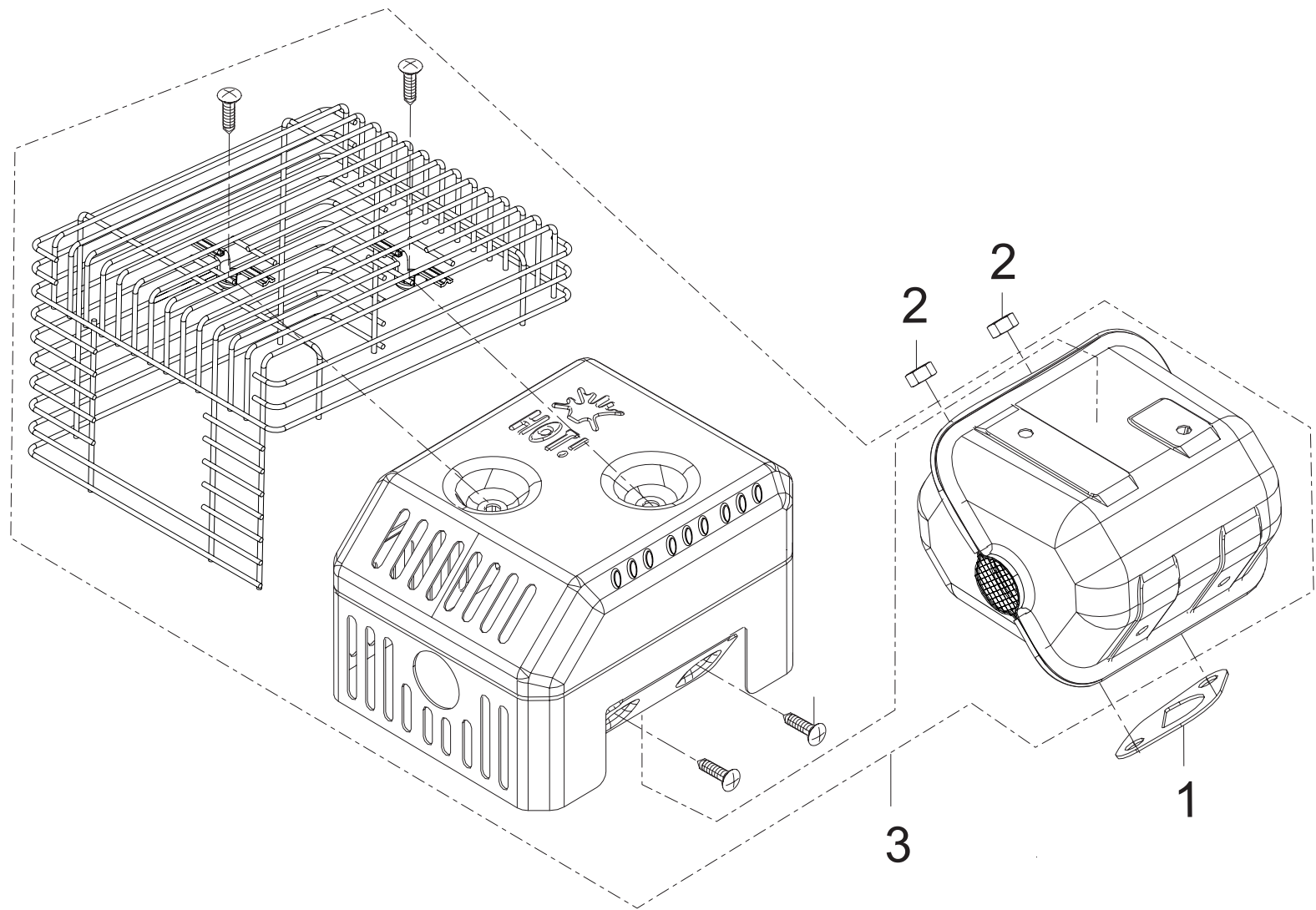
POS	QTY	PARTNUMBER	BESKRIVELSE	DESCRIPTION
1	1	418578	BLÆSEHUS	CIRCULATOR CASING
2	1	418710	DÆKSEL	SHROUD, CYLINDER BODY
3	1	418580	MOTORDÆKSEL	LID
4	2	418581	BOLT	BOLT
5	1	418582	BOLT	BOLT
6	4	418547	BOLT	BOLT



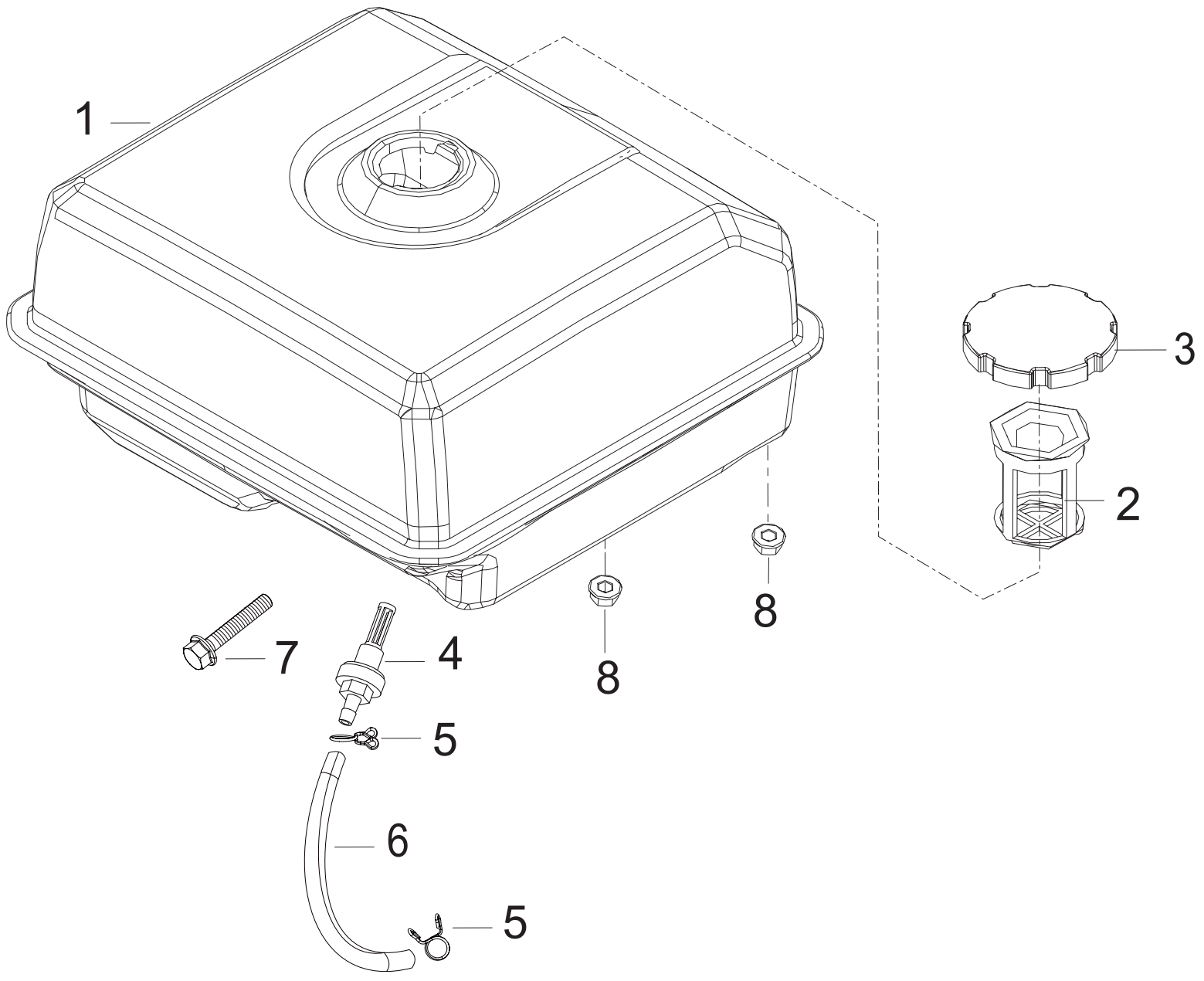
POS	QTY	PARTNUMBER	BESKRIVELSE	DESCRIPTION
1	1	418711	KARBURATOR	CARBURETOR ASSY.
2	1	418584	LUFTFILTER PAKNING	GASKET
3	1	418712	KARBURATOR PAKNING	GASKET, CARBURETOR
4	1	418585	STÅLPLADE	PLATE
5	1	418713	PAKNING	GASKET, CARBURETOR INSULATOR



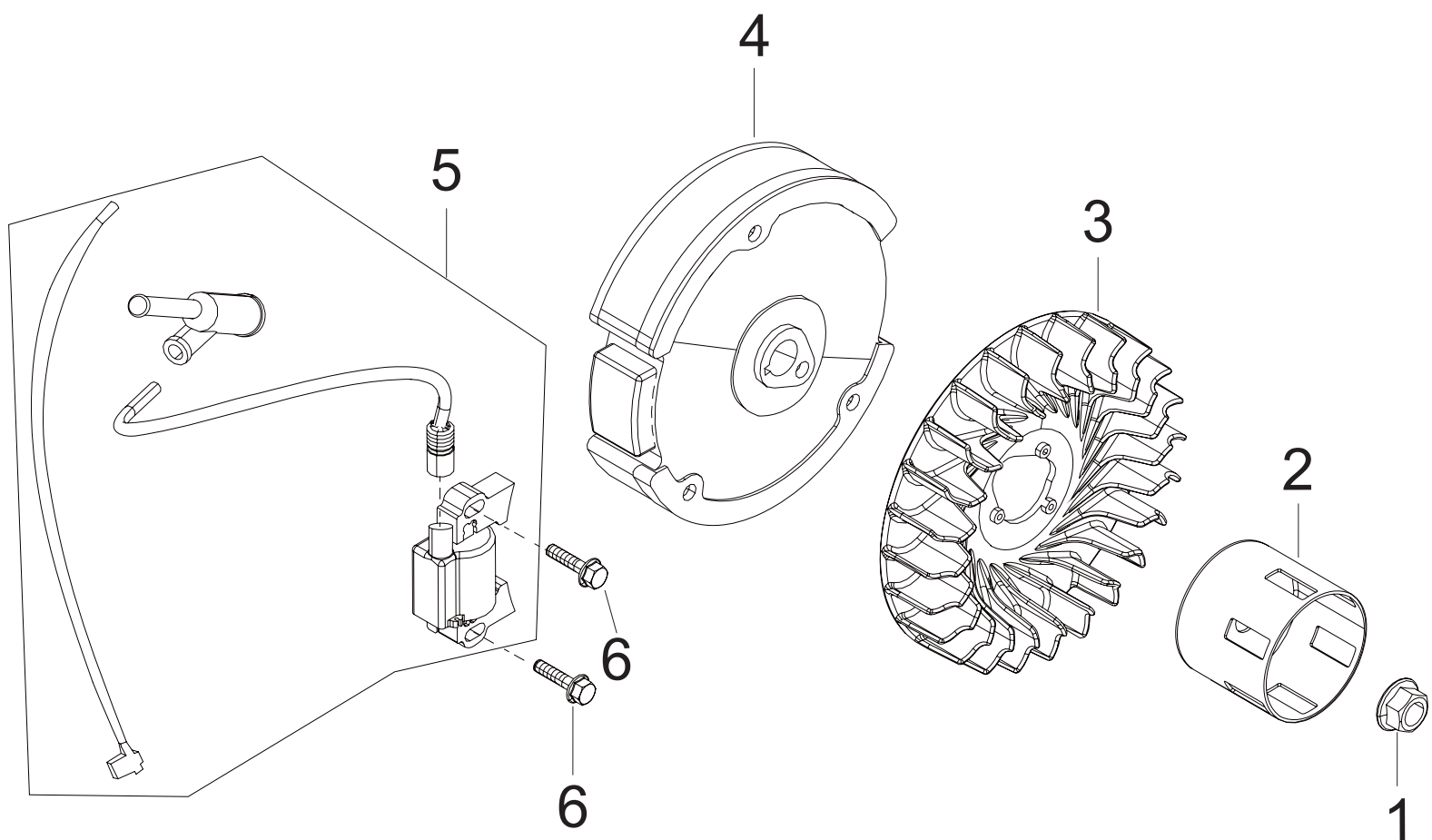
POS	QTY	PARTNUMBER	BESKRIVELSE	DESCRIPTION
1	1	418587	LUFTFILTER,KOMPLET	AIR FILTER
2	2	418448	MØTRIK	NUT
3	1	428837	LUFTFILTERELEMENT	AIR FILTER ELEMENT



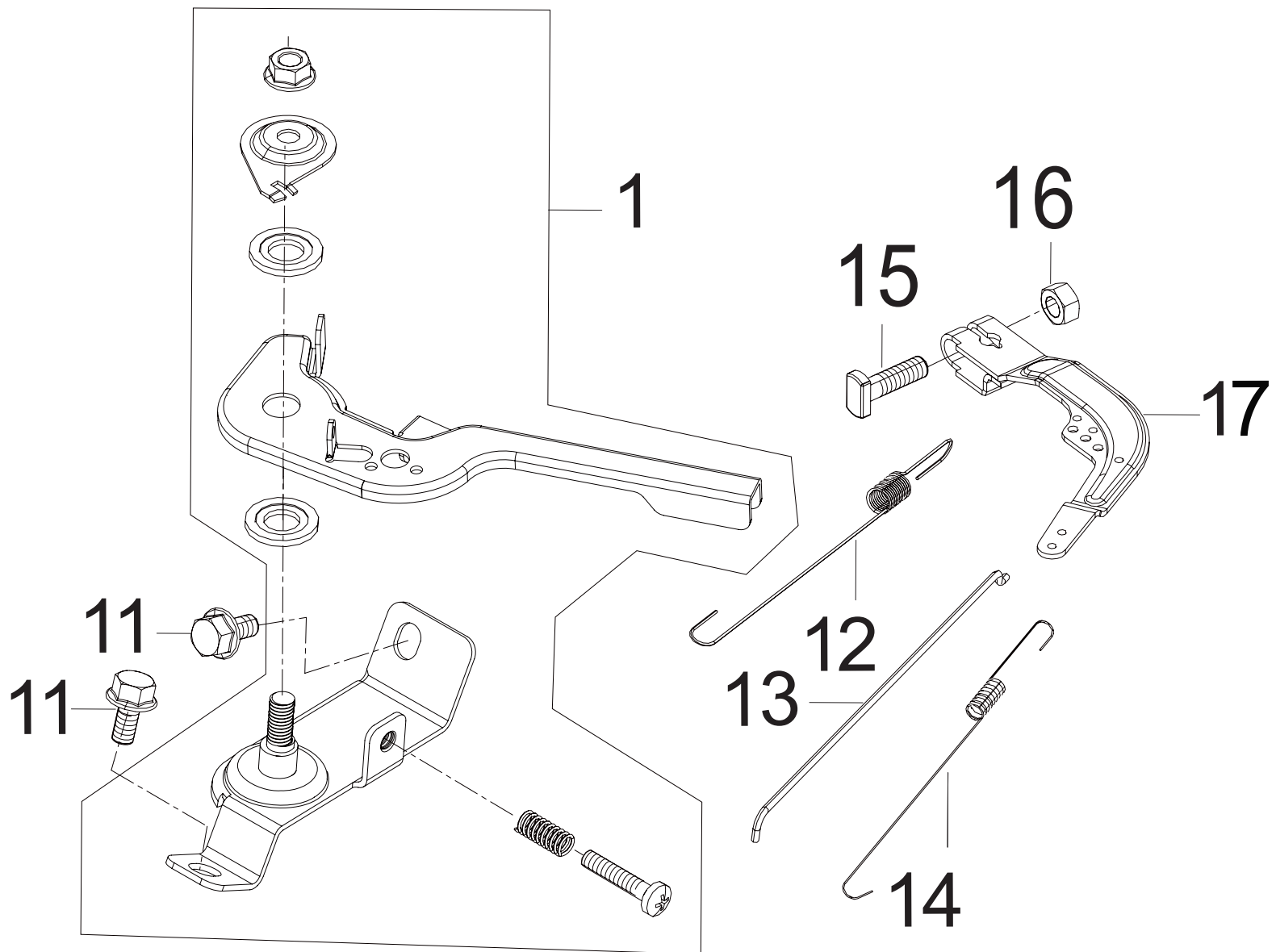
POS	QTY	PARTNUMBER	BESKRIVELSE	DESCRIPTION
1	1	418714	PAKNING	GASKET, EXHAUST OUTLET
2	2	418589	MØTRIK M8	NUT M8
3	1	418715	UDSTØDNING	MUFFLER ASSY.



POS	QTY	PARTNUMBER	BESKRIVELSE	DESCRIPTION
1	1	418591	BRÆNDSTOFTANK	FUEL TANK
2	1	418592	FILTER	FILTER
3	1	418593	TANKDÆKSEL	TANK CAP
4	1	418594	TANKSTUDS	NOZZLE PIPE
5	2	418595	KLEMME	CLAMP
6	1	418596	BRÆNDSTOFSLANGE	FUEL HOSE
7	1	418597	BOLT	BOLT
8	2	418448	MØTRIK	NUT



POS	QTY	PARTNUMBER	BESKRIVELSE	DESCRIPTION
1	1	418476	MØTRIK	NUT
2	1	418598	STARTERTRISSE	STARTER SPOOL
3	1	418716	BLÆSEHJUL	IMPELLER
4	1	418717	SVINGHJUL	FLYWHEEL SUBASSEMBLY
5	1	418600	TÆENDSPOLE TG720/TG620	IGNITION COIL TG720
6	2	418601	BOLT	BOLT



POS	QTY	PARTNUMBER	BESKRIVELSE	DESCRIPTION
1	1	418602	REGULATOR	REGULATOR
11	2	418581	BOLT	BOLT
12	1	418603	FJEDER	SPRING
13	1	418604	STANG	ROD
14	1	418605	REGULATORFJEDER	SPRING
15	1	418488	BOLT TIL ARM	BOLT
16	1	418448	MØTRIK	NUT
17	1	418606	ARM	LEVER

