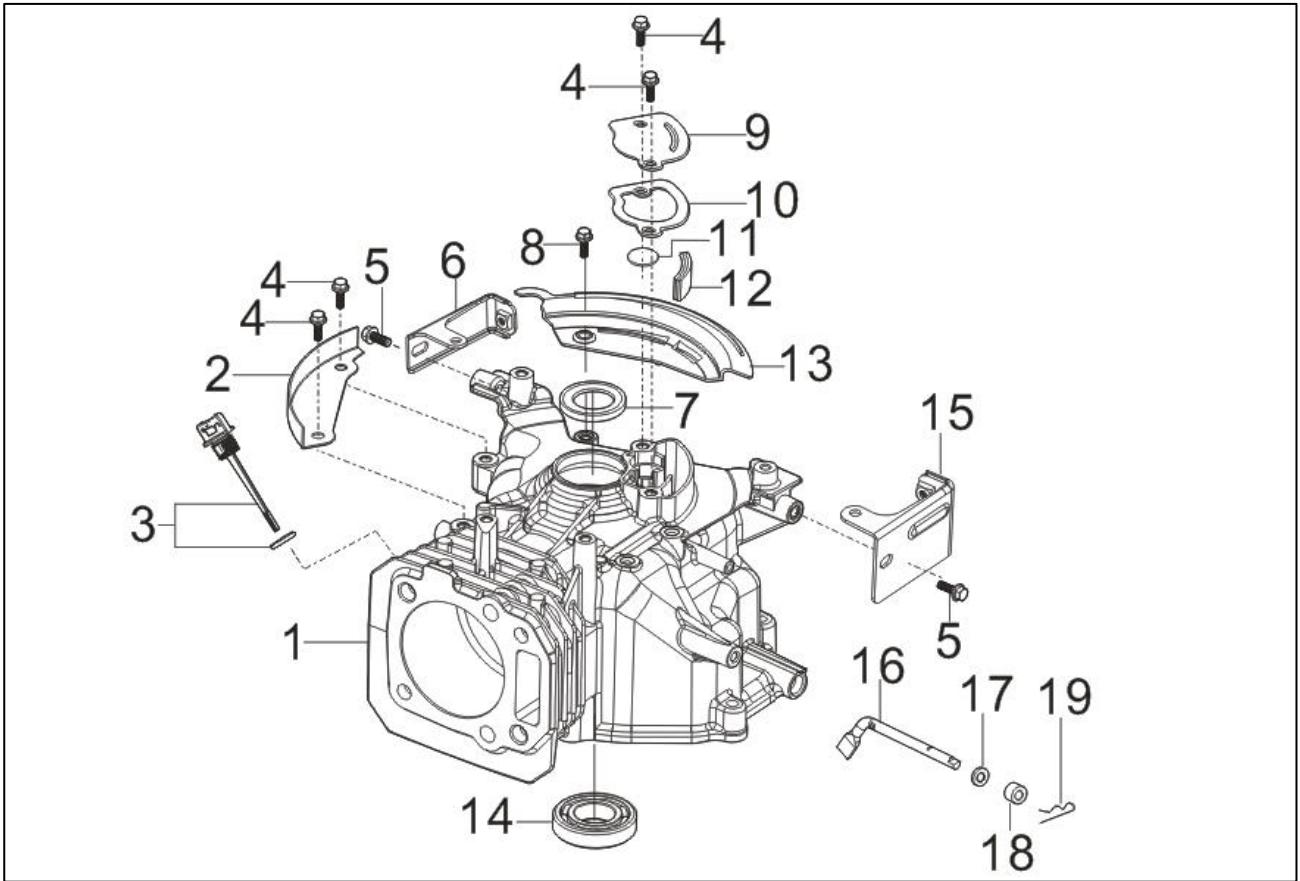


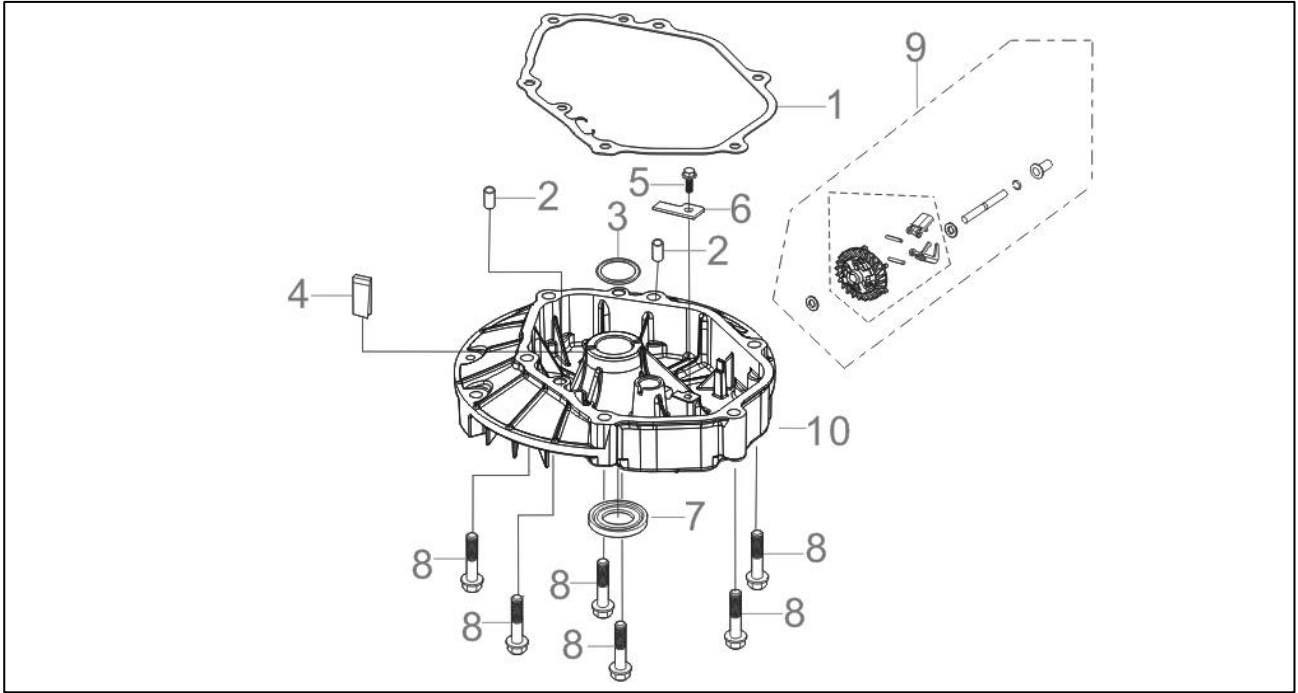
Model: TG595-2

Part number: TG595-2

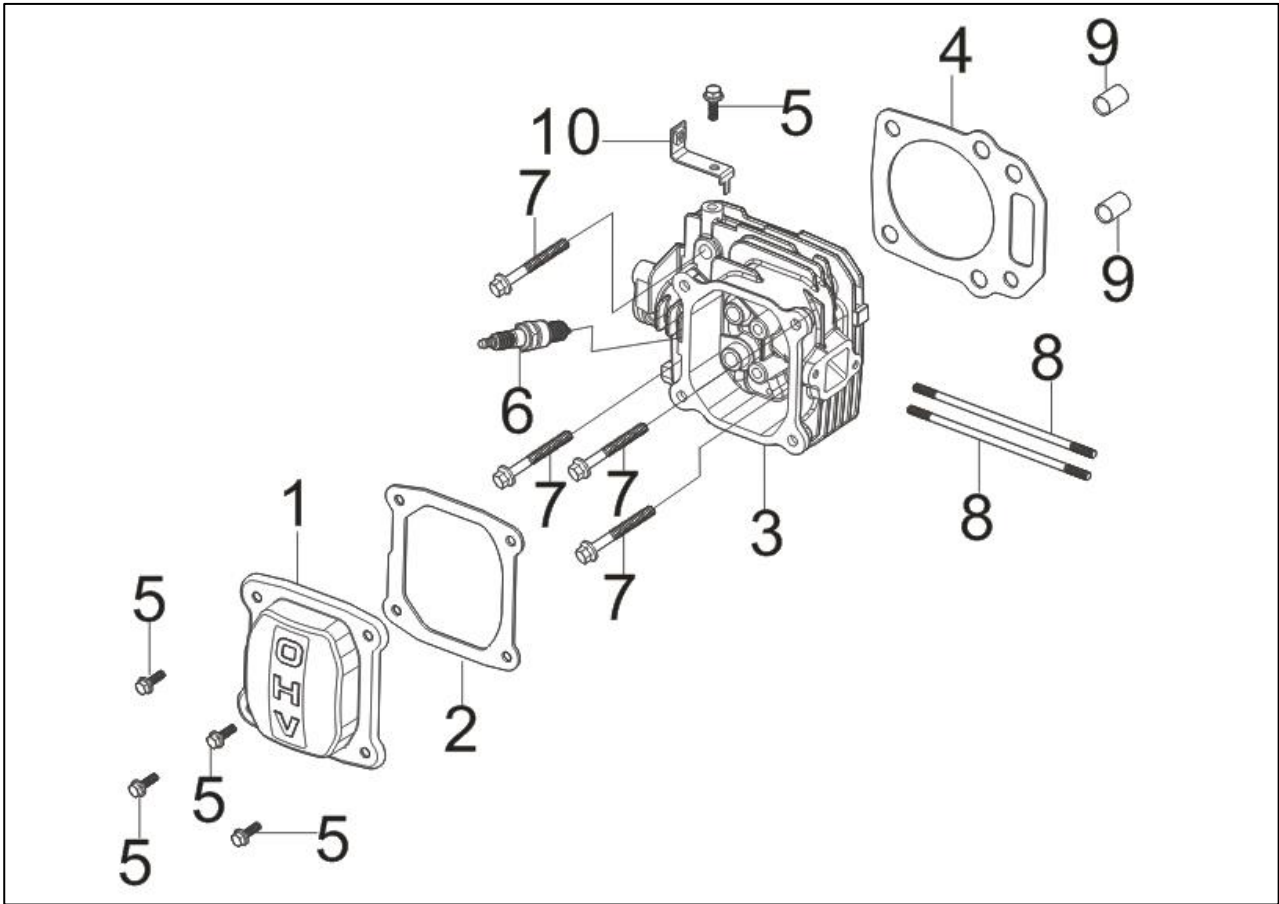
Year: 2020



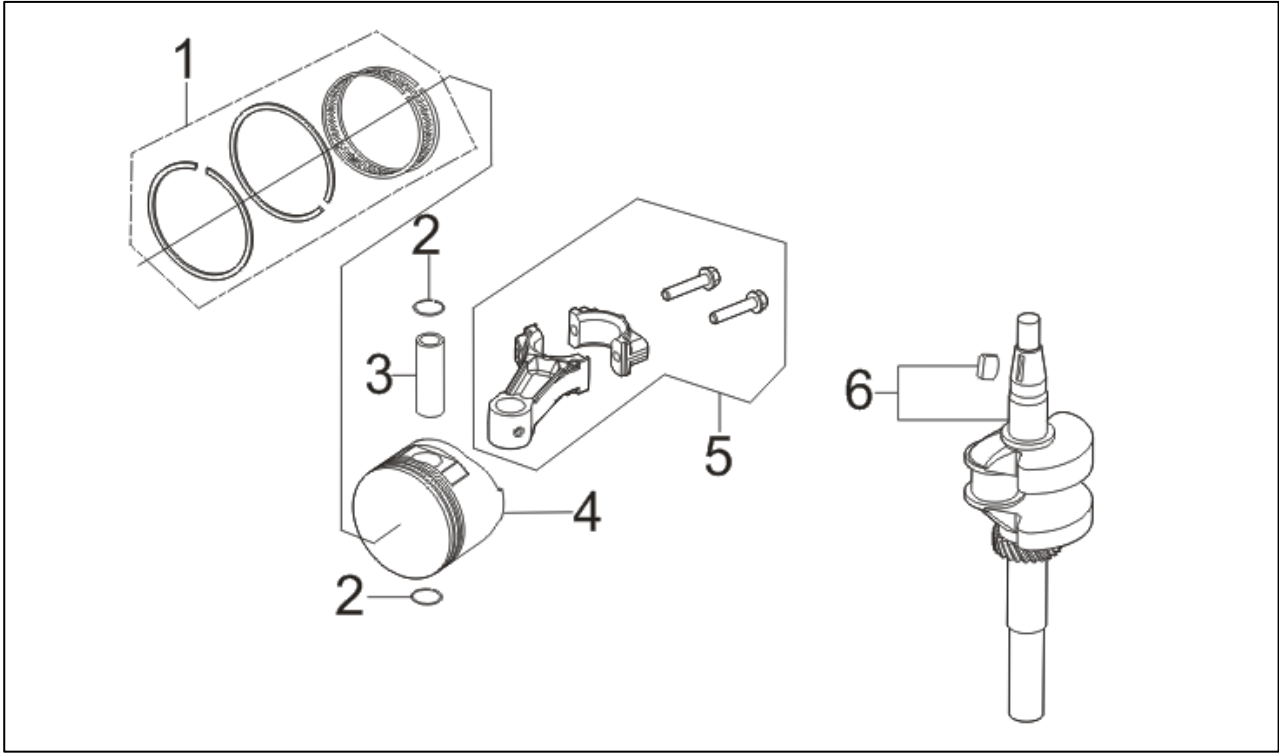
POS	QTY	PARTNUMBER	BESKRIVELSE	DESCRIPTION
1	1	424473	CYLINDER TG595	CYLINDER TG595
2	1	418401	BESLAG	BRACKET
3	1	424474	OLIEPIND	OIL DIPSTICK
4	4	418393	BOLT	BOLT
5	2	418393	BOLT	BOLT
6	1	418403	BESLAG TANK HØJRE	BRACKET
7	1	418404	PAKDÅSE	OIL SEAL
8	1	444859	BOLT	BOLT
9	1	424475	PLADE	PLATE
10	1	424476	PAKNING	GASKET
11	1	424477	SÆDE	SEAT
12	1	418501	NET	NET
13	1	424478	BESLAG	BRACKET
14	1	418556	KUGLELEJE 25X52X15	BALL BEARING 25X52X15
15	1	424479	BESLAG TANK	BRACKET
16	1	418413	ARM	LEVER
17	1	418414	SKIVE	WASHER
18	1	418415	O-RING	O-RING
19	1	418416	LÅS	LOCK



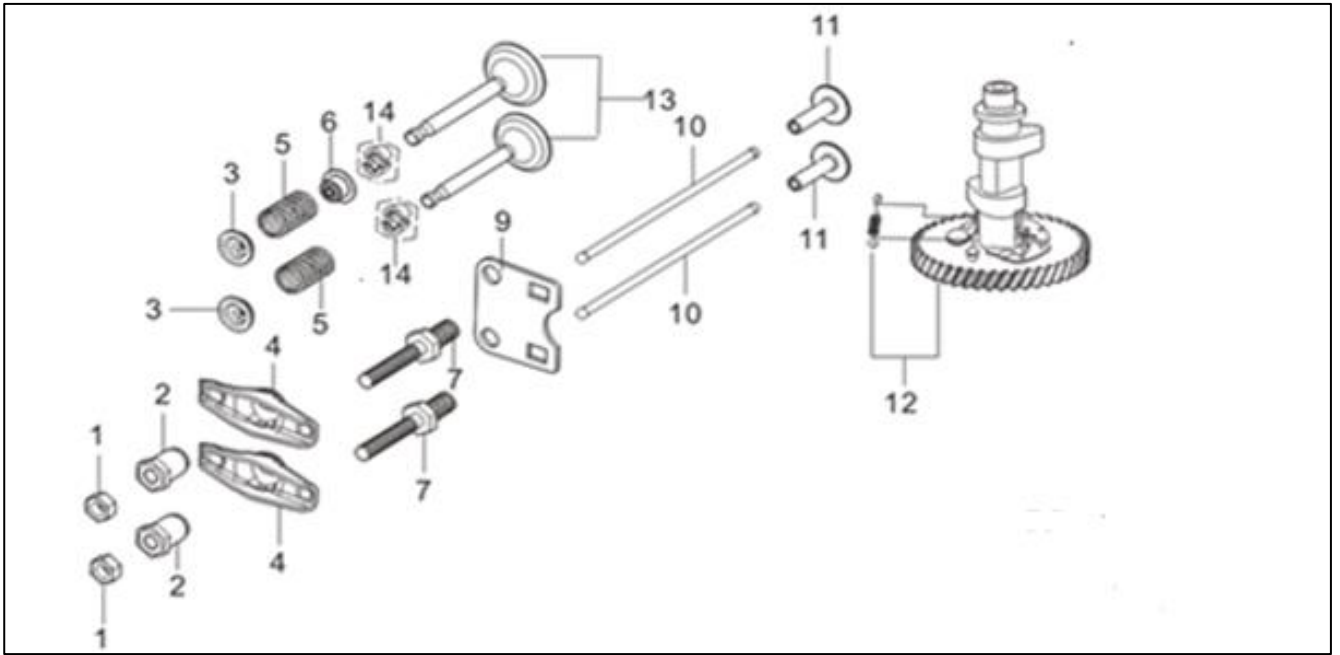
POS	QTY	PARTNUMBER	BESKRIVELSE	DESCRIPTION
1	1	418417	PAKNING KRUMTAPHUS	GASKET
2	2	418418	PIN	PIN
3	1	418419	SKIVE	WASHER
4	1	418420	STYREBØS	GUIDE GLAND
5	1	418393	BOLT	BOLT
6	1	418421	PLADE	PLATE
7	1	418422	PAKDÅSE	OIL SEAL
8	6	418423	BOLT	BOLT
9	1	418424	GEARKOMPLET	GEAR
10	1	424480	BUNDKAR	OIL PAN



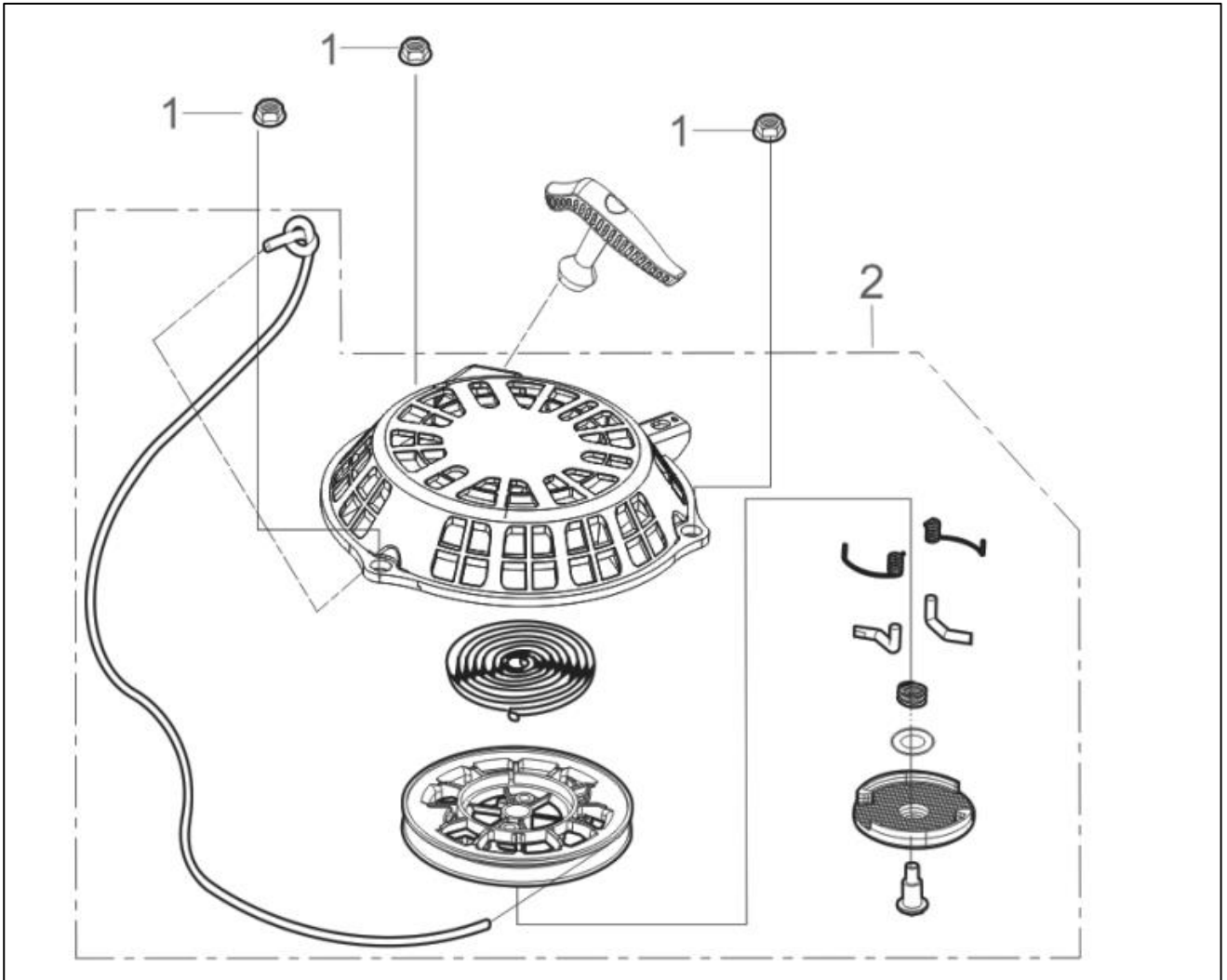
POS	QTY	PARTNUMBER	BESKRIVELSE	DESCRIPTION
1	1	418390	VENTILDÆKSEL	VALVE COVER
2	1	418391	PAKNING	GASKET
3	1	444860	TOPSTYKKE	HEAD SUBASSEMBLY, CYLINDER
4	1	444861	PAKNING	GASKET, CYLINDER HEAD
5	5	418393	BOLT	BOLT
6	1	444862	TÆNDRØR	PLUG, SPARK
7	4	415013	BOLT M8X50	BOLT M8X50
8	2	418397	STØDSTANG	PUSH ROD
9	2	418398	PIN	PIN
10	1	444863	BESLAG	BRACKET, MUFFLER SHIELD



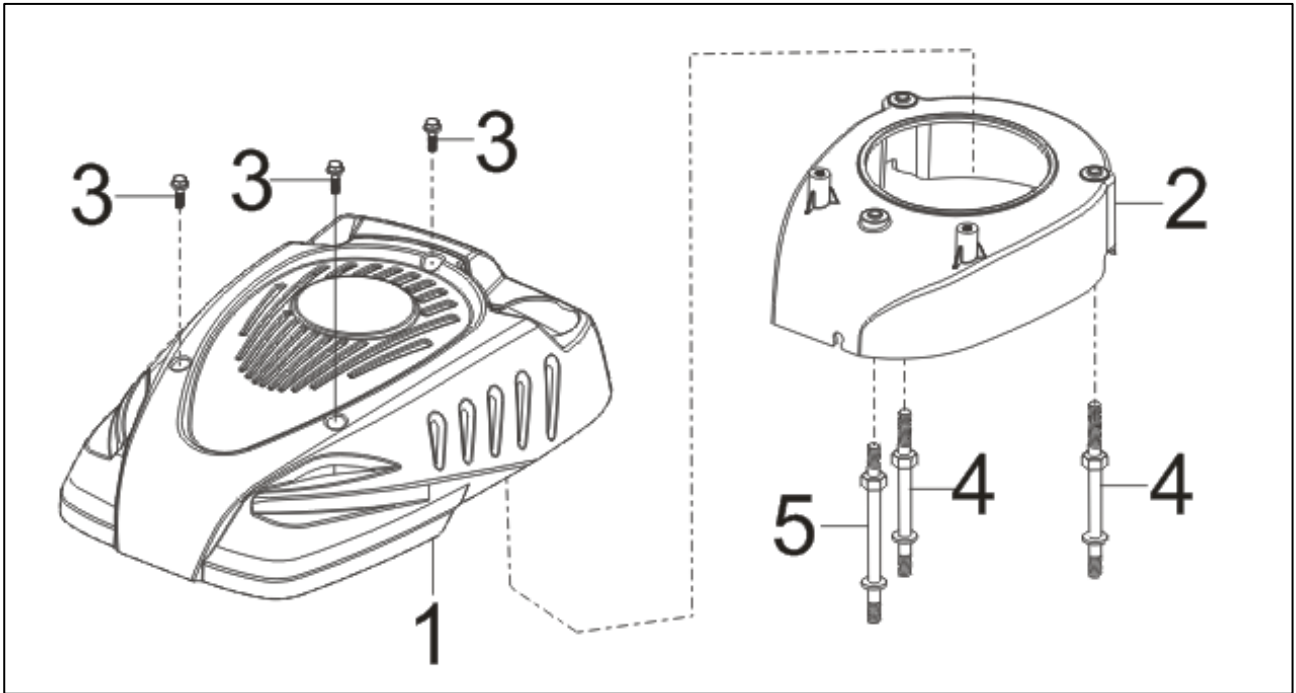
POS	QTY	PARTNUMBER	BESKRIVELSE	DESCRIPTION
1	1	444864	STEMPELRINGE SÆT	RING ASSY, PISTON
2	2	444865	LÅSERING	CLIP, PISTON PIN
3	1	444866	KRYDSPIND	PIN, PISTON
4	1	444867	STEMPEL	PISTON
5	1	444868	PEJLSTANG KOMPLET	ROD, CONNECTING
6	1	444892	KRUMTAPAKSEL	CRANKSHAFT ASSY.



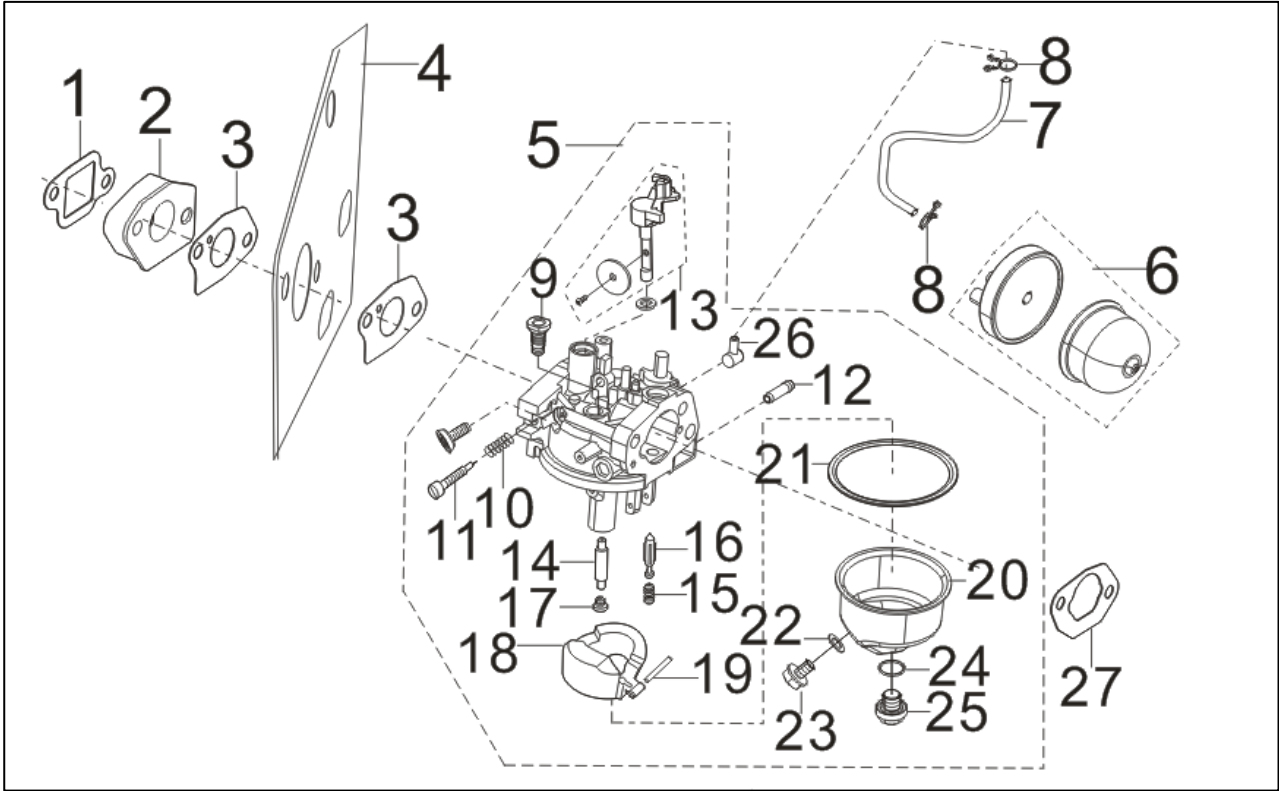
POS	QTY	PARTNUMBER	BESKRIVELSE	DESCRIPTION
1	2	418434	MØTRIK	NUT
2	2	418435	JUSTERINGSMØTRIK	ADJUSTMENT NUT
3	2	444870	VENTILFJEDER	SEAT, VALVE SPRING
4	2	418437	VIPPEARM	ROCKING LEVER
5	2	424486	VENTILFJEDER	VALVE SPRING
6	1	444871	PAKDÅSE	GUIDE, SEAL
7	2	418440	PINBOLT	PIN BOLT
9	1	444872	STYREPLADE	PLATE SUBASSEMBLY, LIFTER STOPPER
10	2	444873	STØDSTANG	LIFTER, VALVE
11	2	418444	STØDSTANGSFOD	PUSH ROD
12	1	444874	KNASTAKSEL KOMPLET	CAMSHAFT ASSY.
13	1	444875	INDSUGNINGSVENTIL	VALVES SET
14	4	444876	LÅSECLIPS	CLAMP, VALVE LOCK



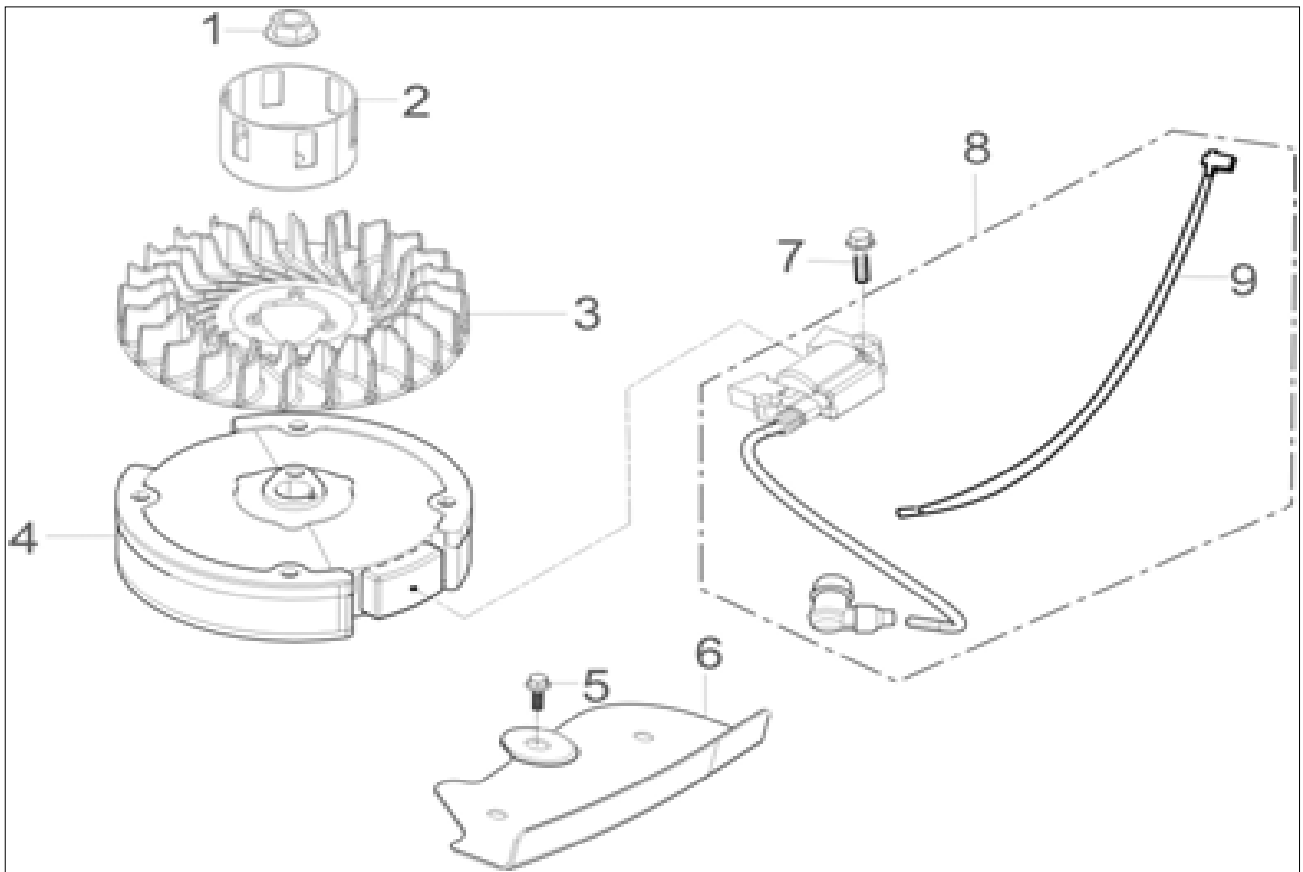
POS	QTY	PARTNUMBER	BESKRIVELSE	DESCRIPTION
1	3	418448	MØTRIK	NUT
2	1	424487	REKYLSTARTER TG595	RECOILSTARTER



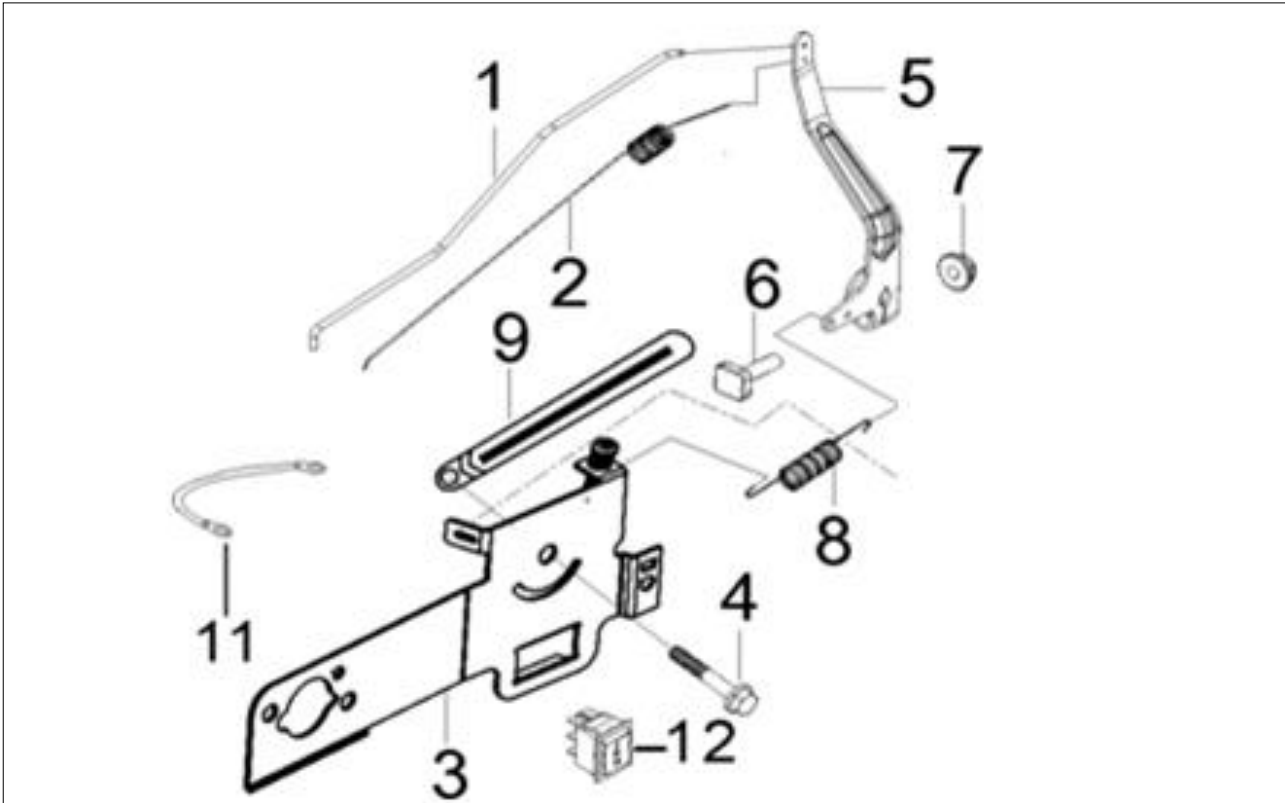
POS	QTY	PARTNUMBER	BESKRIVELSE	DESCRIPTION
1	1	418450	MOTORDÆKSEL	LID
2	1	418451	BLÆSEHUS	CIRCULATOR CASING
3	3	418452	BOLT	BOLT
4	2	418453	PINBOLT	PIN BOLT
5	1	418454	PINBOLT	PIN BOLT



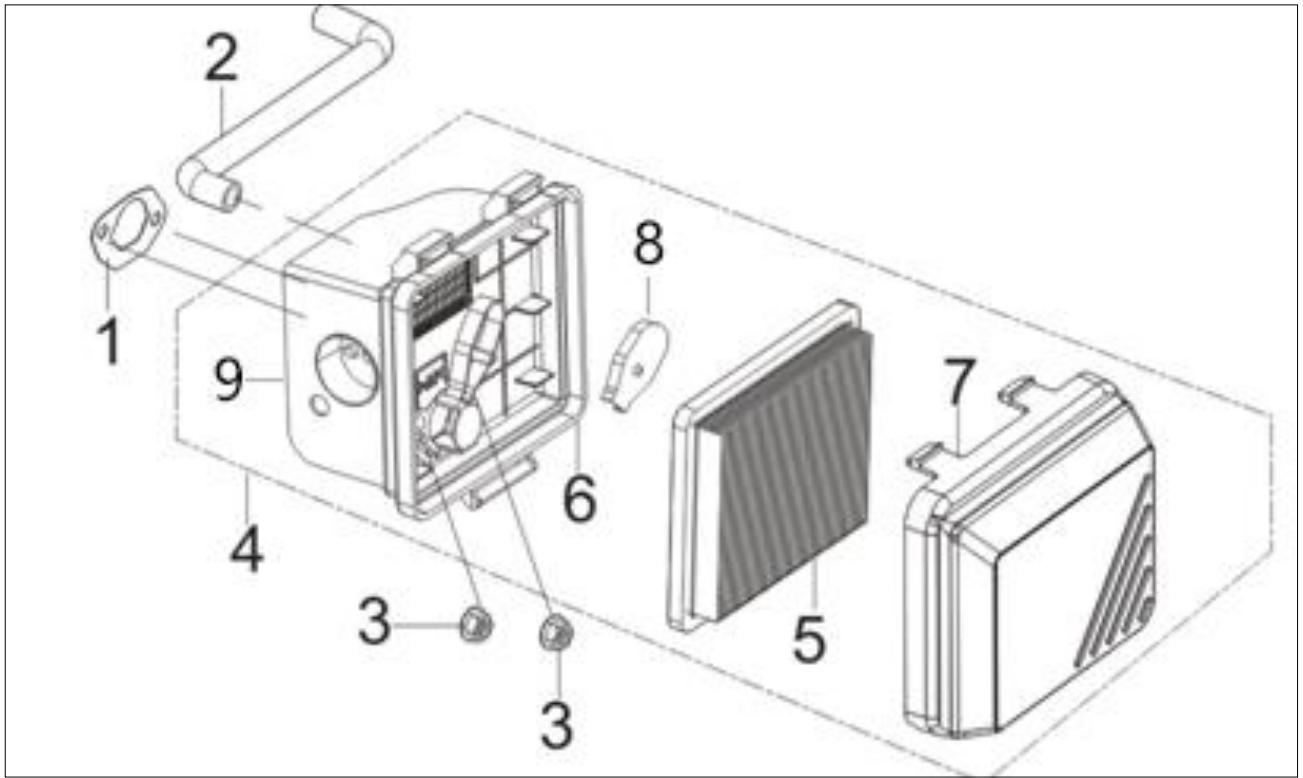
POS	QTY	PARTNUMBER	BESKRIVELSE	DESCRIPTION
1	1	418455	PAKNING	GASKET
2	1	418456	INSULATOR	GASKET
3	2	418457	KARBURATOR PAKNING	GASKET
4	1	424488	PAKNING	GASKET
5	1	444893	KARBURATOR	CARBURETOR ASSY.
6	1	424490	PRIMER	PRIMER
7	1	418461	BRÆNDSTOFSLANGE	FUEL HOSE
8	2	418462	KLIPS	CLIPS
27	1	418463	PAKNING	GASKET



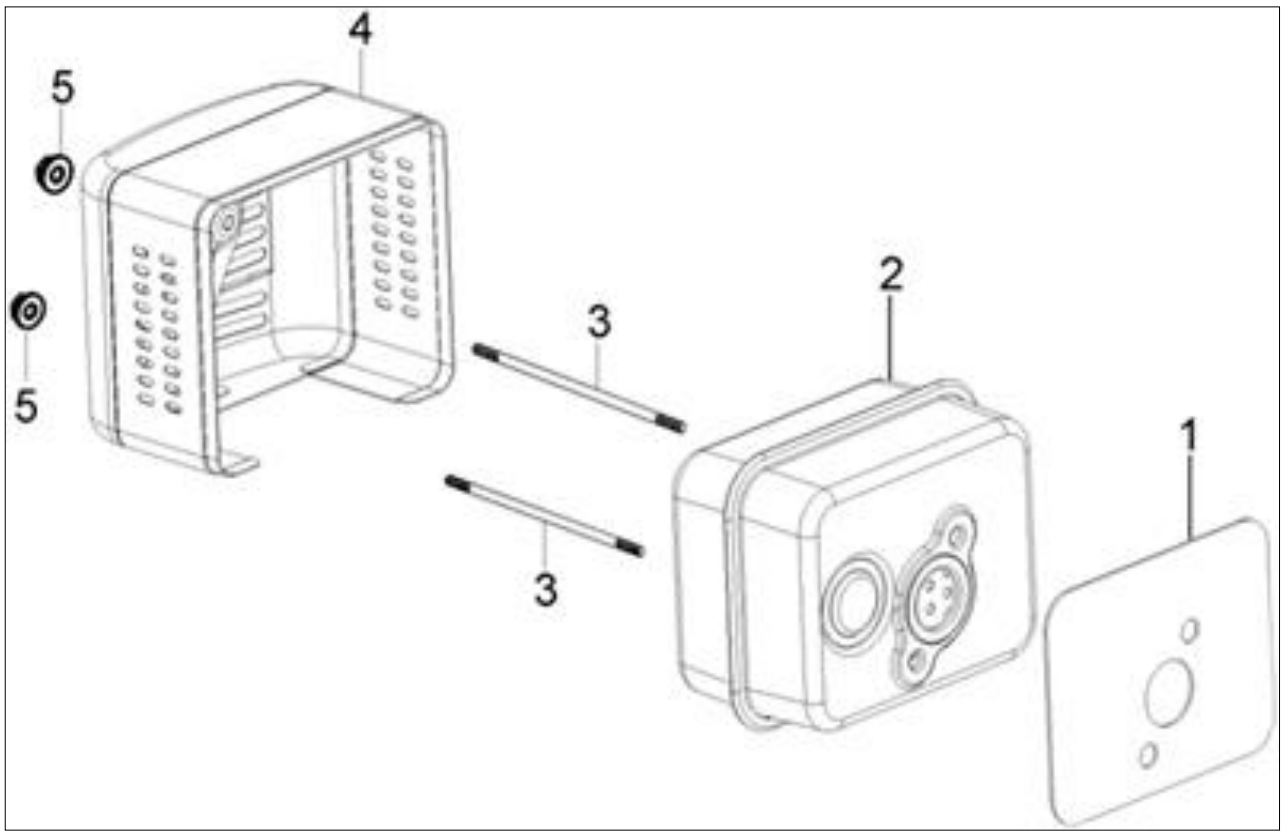
POS	QTY	PARTNUMBER	BESKRIVELSE	DESCRIPTION
1	1	418476	MØTRIK	NUT
2	1	444894	STARTERTRISSE	PULLEY,STARTER
3	1	444895	BLÆSEHJUL	IMPELLER
4	1	444896	SVINGHJUL	FLYWHEEL SUBASSEMBLY
5	1	418393	BOLT	BOLT
6	1	444897	SKJOLD	SHIELD, CRANKCASE SIDE
7	1	418480	BOLT	BOLT
8	1	444898	TÆENDSPOLE	COIL, IGNITION
9	1	444899	LEDNING	WIRE, IGNITION COIL STOP ENGINE



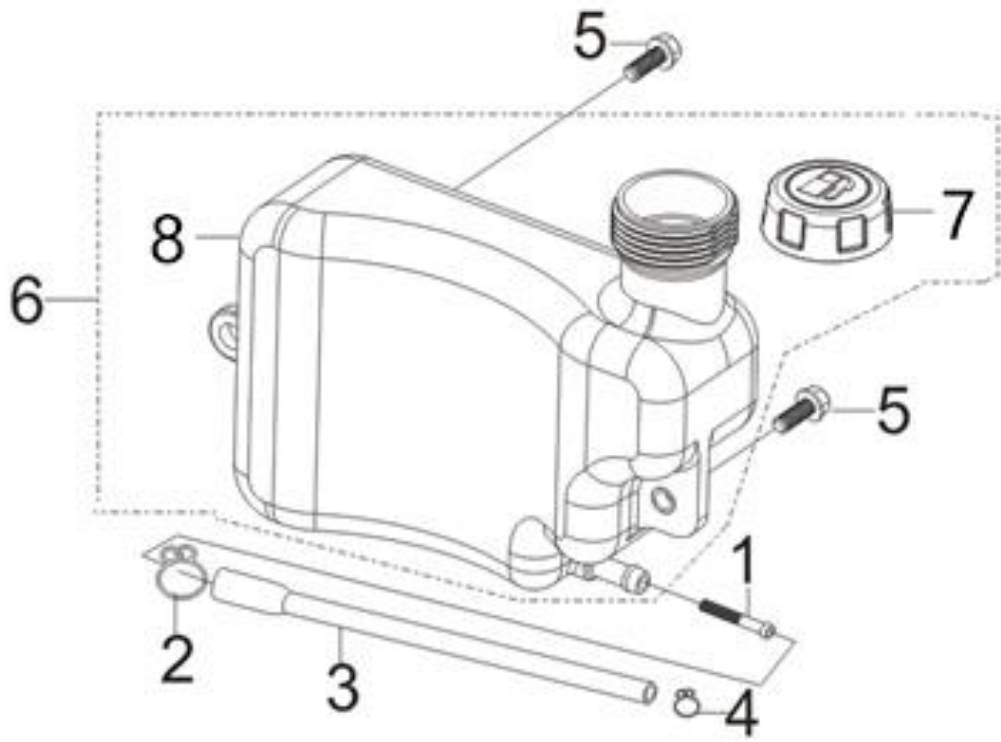
POS	QTY	PARTNUMBER	BESKRIVELSE	DESCRIPTION
1	1	418483	STANG	ROD
2	1	418484	REGULATORFJEDER	REGULATOR
3	1	444900	REGULATOR	CONTROL ASSY, THROTTLE
4	1	418489	BOLT	BOLT
5	1	418487	ARM	LEVER
6	1	418488	BOLT TIL ARM	BOLT
7	1	418448	MØTRIK	NUT
8	1	444881	FJEDER	SPRING, GOVERNOR
9	1	418535	KLIPS	CLIPS
11	1	444901	LEDNING	WIRE, STOP ENGINE SWITCH GROUNDING
12	1	444902	KONTAKT	SWITCH SUBASSEMBLY, STOP ENGINE



POS	QTY	PARTNUMBER	BESKRIVELSE	DESCRIPTION
1	1	418463	PAKNING	GASKET
2	1	418464	SLANGE, VINKEL	HOSE
3	2	418448	MØTRIK	NUT
4	1	418465	LUFTFILTERHUS KPL.	AIRFILTER HOUSING
5	1	444882	LUFTFILTER	ELEMENT SUBASSEMBLY, AIR CLEANER
6	1	444883	LUFTFILTERHUS	CASE, AIR CLEANER
7	1	444884	LUFTFILTERLÅG	COVER, AIR CLEANER CASE
8	1	444885	LUFTFILTER KOMPONENT	LID, AIR CLEANER EXHAUST



POS	QTY	PARTNUMBER	BESKRIVELSE	DESCRIPTION
1	1	419218	PAKNING	GASKET
2	1	419219	UDSTØDNING	EXHAUST
3	2	424491	BOLT	BOLT
4	1	444886	VARMESKJOLD	COVER, MUFFLER OUTER
5	2	418448	MØTRIK	NUT



POS	QTY	PARTNUMBER	BESKRIVELSE	DESCRIPTION
1	1	418471	FILTERSI	AIR FILTER
2	1	444887	KLEMME	CLAMP
3	1	444888	SLANGE	TUBE, FUEL
4	1	444889	KRAVE	COLLAR
5	2	418470	BOLT	BOLT
6	1	418475	BRÆNDSTOFTANK KOMPLET	FUEL TANK
7	1	444890	TANKLÅG	COVER, FUEL TANK
8	1	444891	BRÆNDSTOFTANK	TANK, FUEL