

見出番号 Ref. No.	部品番号 Parts No.	部品名 Parts Name	数量 Qty	備考 Remarks
1	11005-2096	CYLINDER	1	
2	11009-2373	GASKET, cylinder	1	
3	312801-1283A	BOLT	4	
4	310401-1311A	CASE, air cleaner	1	
5	310401-1316A	CAP, air cleaner	1	
6	310401-1312A	ELEMENT	1	
7	310401-1313A	PLATE	1	
8	21480414	SCREW (4x14)	2	
9	310501-1410A	MUFFLER ASS'Y	1	
10	310501-1431A	COVER, muffler	1	
11	312801-1443A	GASKET	1	
12	310501-1482A	BOLT	2	
13	24180512	SCREW (5x12)	3	
14	41180600	WASHER	2	
15	13001-2086	PISTON	1	
16	312801-3010A	PISTON RING SET	1	
17	13002-2067	PIN, piston	1	
18	312801-3122A	RING, snap	2	
19	310502-3210A	CRANK SHAFT ASS'Y	1	
20	3123AA-3242A	•BEARING, needle	1	
21	311220-3231-00	SHIM	AR	t=0.1
	311220-3232-00	SHIM	AR	t=0.2
	311220-3233-00	SHIM	AR	t=0.4
	311220-3234-00	SHIM	AR	t=0.6
22	49120-2105	CRANK CASE ASS'Y	1	
23	551A0410	•PIN, dowel	2	
24	11009-2374	GASKET	1	
25	310501-4127A	PLUG	1	
26	310501-4182A	GASKET	1	
27	311220-4212-00	BEARING, ball (6202C.)	2	
28	310501-4231A	SEAL, oil	1	
29	312551-4231-00	SEAL, oil	1	
30	21480520A	SCREW (5x20)	4	

見出番号 Ref. No.	部品番号 Parts No.	部品名 Parts Name	個数 Qty	備考 Remarks
31	232B0528	SCREW (5×28)	4	
32	481J3500	RING, snap	1	
33	310501-6100A	CARBURETOR ASS'Y	1	See Fig. C-1
34	310501-6181A	INSULATOR	1	
35	310501-6184A	GASKET	1	
36	310502-6184A	GASKET	1	
37	214B0540	SCREW (5×40)	2	
38	51002-6020	FUEL TANK ASS'Y	1	
39	310401-6641A	•CAP, tank	1	
40	310801-6646A	•BREATHER	1	
41	311901-6662A	•STRAINER	1	
42	311901-6663B	•GASKET	1	
43	310501-6811A	TUBE	1	
44	317196-6812-00	CLIP	2	
45	310801-8511A	SWITCH, stop	1	
46	310827-8514A	BRACKET	1	
47	310501-1616A	COVER	1	
48	310501-1621A	PLATE	1	
49	310502-1832A	COVER, cylinder	1	
50	241B0512	SCREW (5×12)	4	
51	233B0408	SCREW (4×8)	1	
52	310501-5338A	CLAMP	1	
53	(54012-2259)	CABLE, throttle 1650 83100	1	
54	311703-3544-00	PIN, clutch	2	
55	311703-3552-00	SHOE, clutch	2	
56	311703-3554-00	SPRING, clutch	1	
57	311703-3595-00	WASHER	2	
58	310501-6711A	BRACKET, tank	1	
59	310501-6712A	BRACKET, tank	1	
60	3119AA-6715B	DAMPER	4	
61	310501-6721A	BAND, tank	1	
62	310101-6723A	DAMPER	1	
63	311902-6724A	DAMPER	1	

見出番号 Ref. No.	部品番号 Parts No.	部品名 Parts Name	個数 Qty	備考 Remarks
64	310502-8111A	FLYWHEEL	1	
65	310502-8103A	COIL, ignition	1	
66	310501-8420A	BREAKER ASS'Y	1	
67	310502-8440A	•BREAKER, contact	1	
68	310502-8436A	•CONDENSER	1	
69	310502-8451A	•FELT, cam	1	
70	311801-8133A	WASHER	1	
71	310501-8161A	CLAMP	1	
72	311950-8161B	CLAMP	1	
73	311702-8161-00	CLAMP	1	
74	310702-8164A	GROMMET	1	
75	311752-8164-00	GROMMET	1	
76	310501-8164A	GROMMET	1	
77	311901-8167B	TUBE	1	
78	18080520	BOLT (5x20)	2	
79	233B0408	SCREW (4x8)	2	
80	234B0410	SCREW (4x10)	2	
81	314B1000	NUT (10mm)	1	
82	510A3100	KEY	1	
83	314401-8410A	PLUG, spark (NGK BM6A)	1	
84	3119AA-8418D	CAP, plug	1	
85	311509-8419B	SPRING	1	
86	310501-3431A	RECOIL STARTER ASS'Y	1	see Fig. R-1
87	311901-3432B	PULLEY	1	
88	242B0620	SCREW (6x20)	4	
89	315B0800	NUT (8mm)	1	
90	410B0800	WASHER	1	
91	56038-2310	LABEL, brand	1	★★
92	56039-2163	LABEL, product	1	★★
93	310721-0814A	LABEL	1	★★
94	310721-0826A	LABEL	1	★★

C-1 CARBURETOR

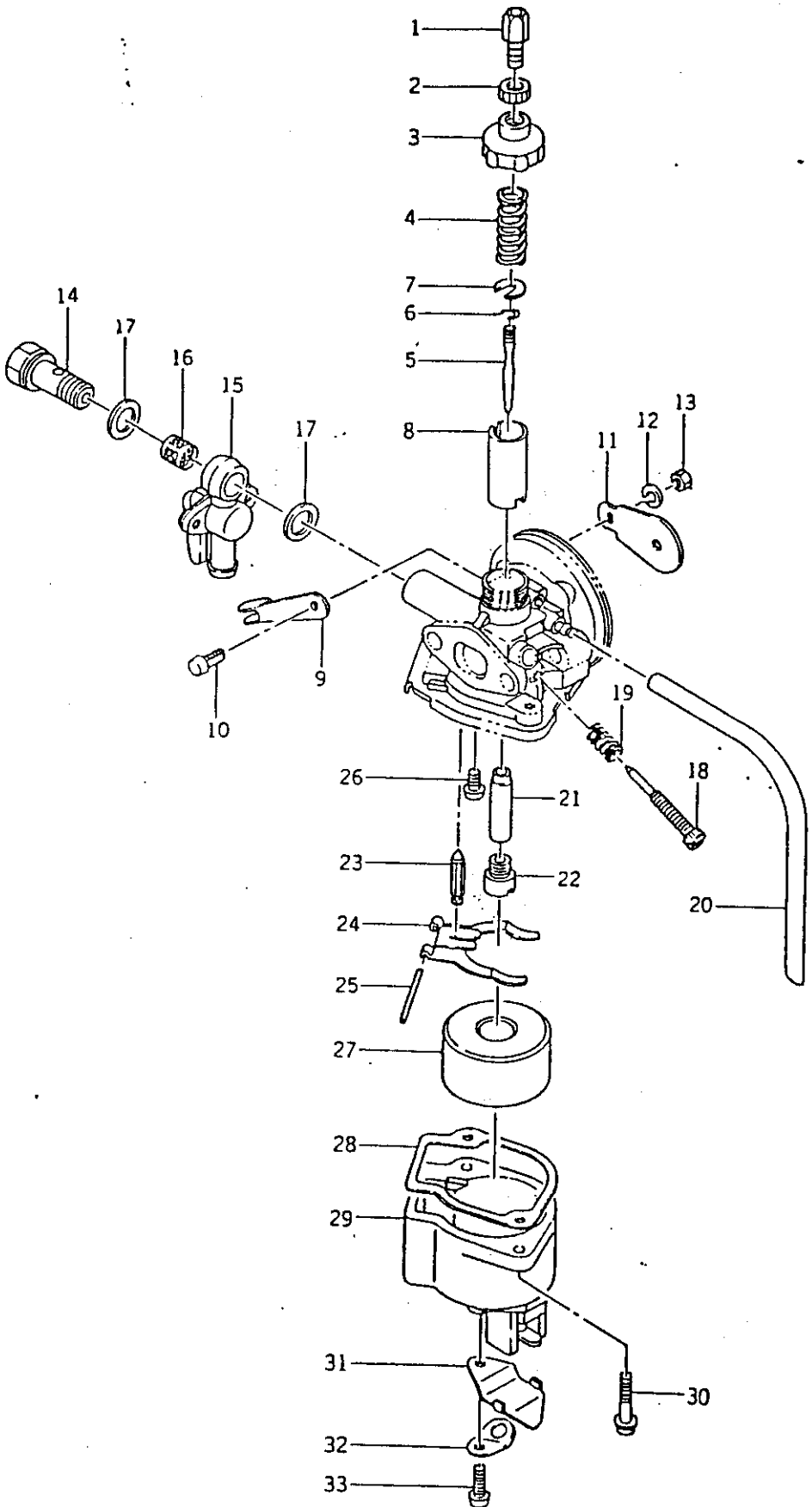
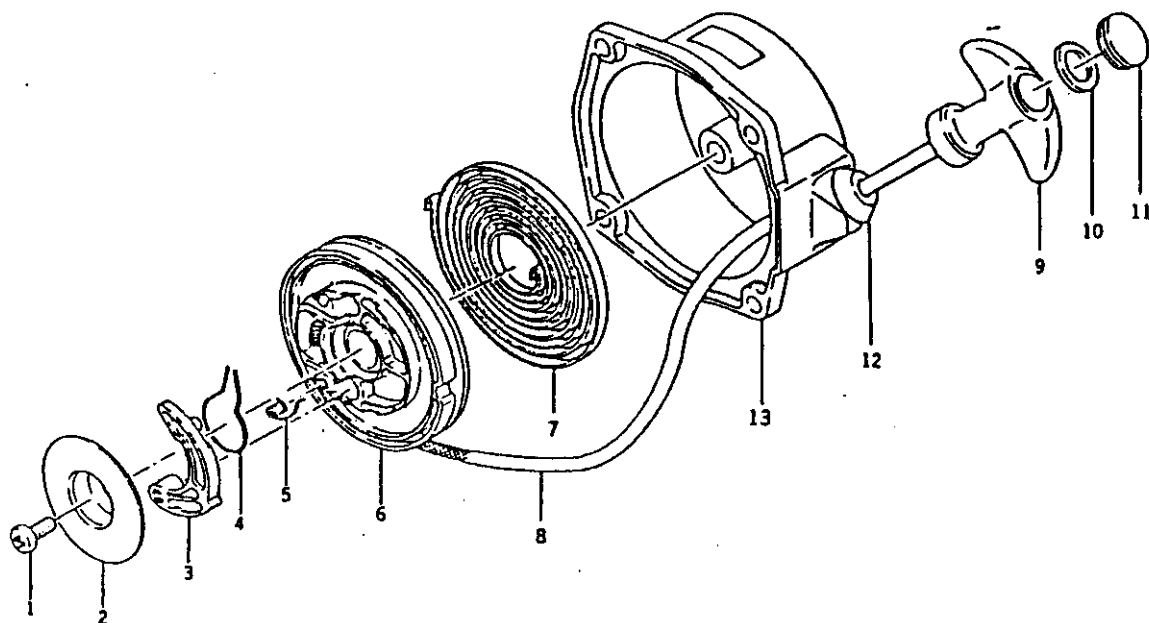


FIG. C-1 CARBURETOR

見出番号 Ref. No	部品番号 Parts No	部品名 Parts Name	個数 Qty	備考 Remarks
	310501-6100A	CARBURETOR ASS'Y	1	
C-1-1	311220-6140-00	•ADJUSTER, cable	1	
C-1-2	311220-6117-00	•NUT, lock	1	
C-1-3	311220-6105-00	•CAP, body	1	
C-1-4	311120-6103-00	•SPRING, valve	1	
C-1-5	310501-6106A	•NEEDLE, jet	1	
C-1-6	311220-6134-00	•CLIP, needle	1	
C-1-7	311502-6145-00	•RETAINER, valve	1	
C-1-8	310501-6101A	•VALVE, throttle	1	
C-1-9	310401-6142A	•LEVER, choke	1	
C-1-10	310802-6153A	•BOLT	1	
C-1-11	312510-6102A	•VALVE, choke	1	
C-1-12	311543-6147-00	•WASHER, spring	1	
C-1-13	311120-6146-00	•NUT, lock	1	
C-1-14	310501-6135A	•BOLT, banjo	1	
C-1-15	311729-6110A	•FUEL VALVE ASS'Y	1	
C-1-16	310501-6168A	•STRAINER	1	
C-1-17	310501-6118A	•GASKET	2	
C-1-18	310802-6114A	•SCREW, slow stop	1	
C-1-19	311502-6116-00	•SPRING	1	
C-1-20	310802-6150A	•PIPE	1	
C-1-21	310802-6129A	•JET, needle	1	
C-1-22	310501-6132A	•JET, main (#62)	1	
C-1-23	312801-6122A	•VALVE, needle	1	
C-1-24	310201-6178B	•HINGE, float	1	
C-1-25	311901-6127A	•PIN	1	
C-1-26	21480306	•SCREW (3x6)	1	
C-1-27	311901-6126A	•FLOAT	1	
C-1-28	310802-6128A	•GASKET	1	
C-1-29	310802-6130A	•FLOAT CHAMBER ASS'Y	1	
C-1-30	232B0416	•SCREW (4x16)	2	
C-1-31	310802-6165A	•COVER	1	
C-1-32	310802-6854A	•STAY	1	
C-1-33	92009-2205	•SCREW	1	

FIG. R-1 RECOIL STARTER



見出番号 Ref. No.	部品番号 Parts No.	部品名 Parts Name	個数 Qty.	備考 Remarks
	310501-3431A	RECOIL STARTER ASS'Y	1	
R-1-1	311400-3447-00	•SCREW (5x12)	1	
R-1-2	311901-3449B	•COVER, retainer	1	
R-1-3	311400-3445-00	•PAWL, recoil	1	
R-1-4	311400-3446-00	•SPRING	1	
R-1-5	311400-3444B	•SPRING, return	1	
R-1-6	310401-3441A	•REEL, recoil	1	
R-1-7	310401-3452A	•SPRING, recoil	1	
R-1-8	310401-3453A	•ROPE (3.8x1200)	1	
R-1-9	312510-3460-00	•HANDLE, recoil starter	1	
R-1-10	312510-3454-00	•WASHER	1	
R-1-11	312510-3456-00	•CAP, knob	1	
R-1-12	312510-3442-00	•GUIDE, rope	1	
R-1-13	310501-3437A	•CASE, recoil	1	