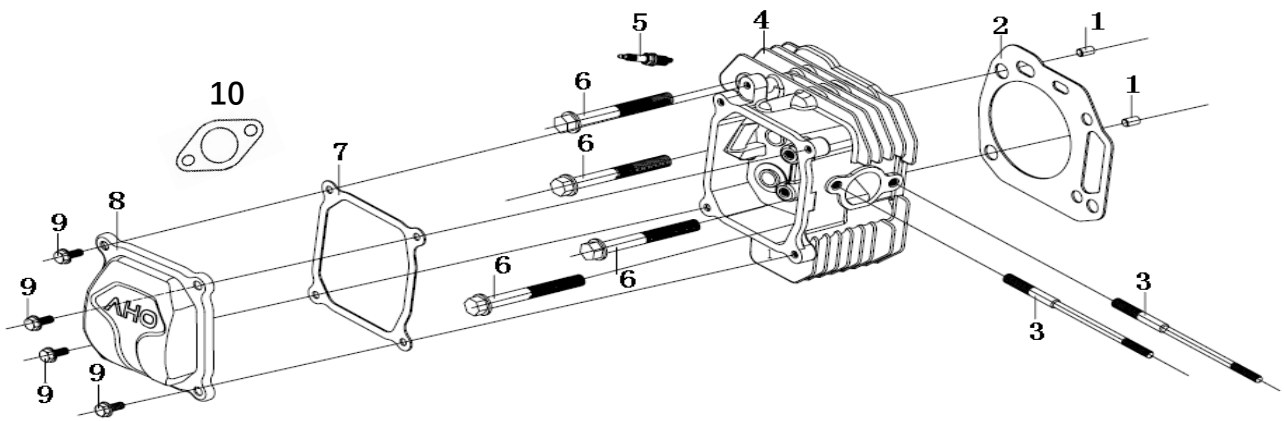


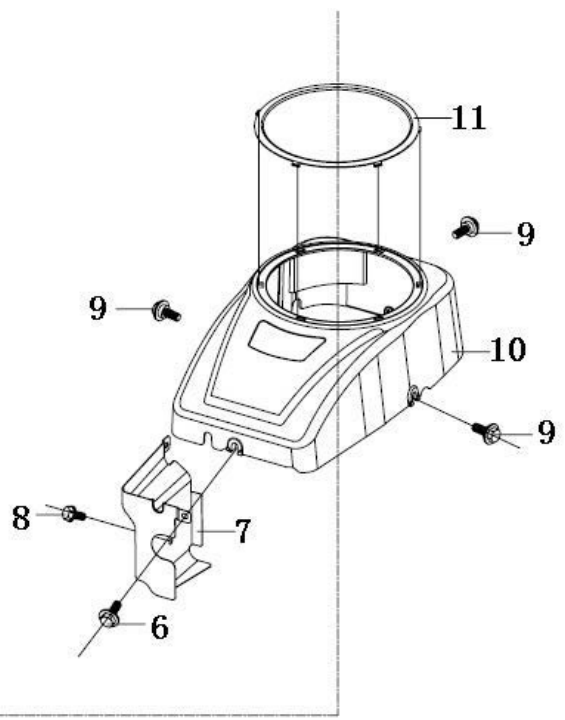
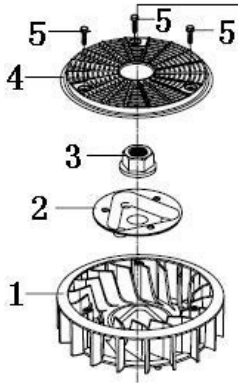
Model: LC1P90F-1

Partnumber: 438710

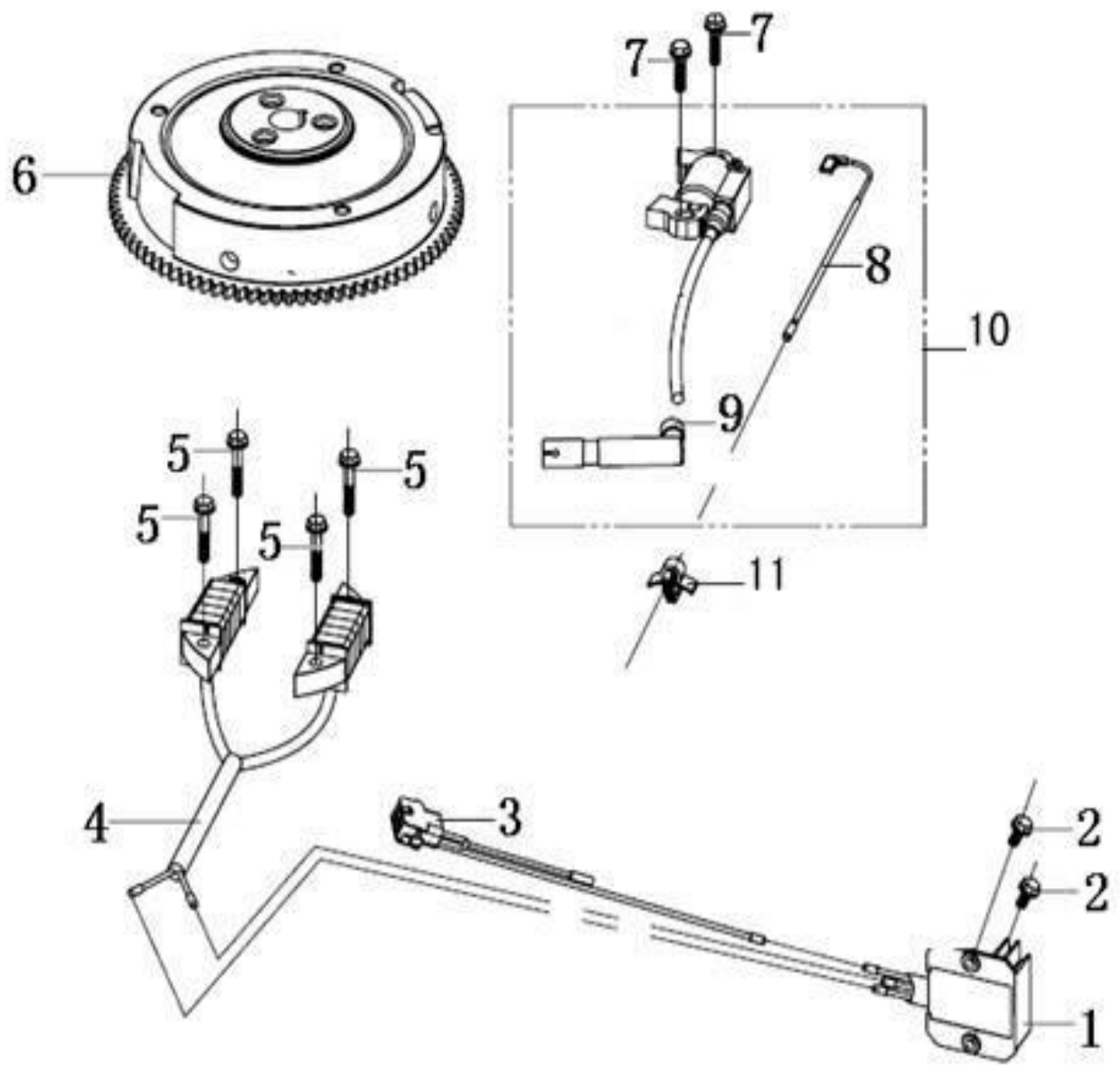
Year: 2018



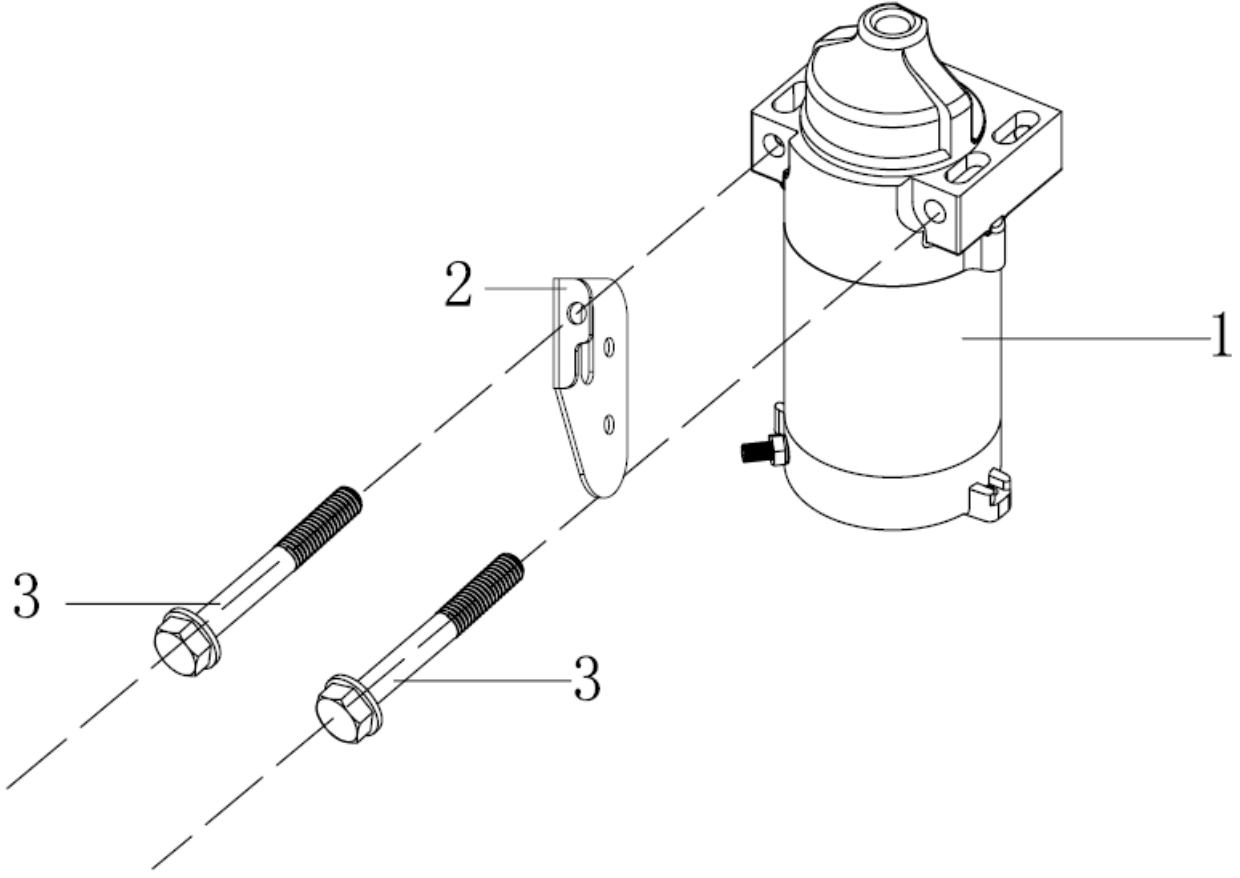
POS	QTY	PARTNUMBER	BESKRIVELSE	DESCRIPTION
1	2	440085	PLACERINGSSTIFT	LOCATION PIN
2	1	440086	PAKNING	GASKET FOR CYLINDER HEAD
3	2	440087	STANG	STUD
4	1	440088	CYLINDERHOVED	CYLINDER HEAD
5	1	436556	TÆNDRØR CHAMPION RC12YC	SPARK PLUG CHAMPION RC12YC
6	4	440089	FLANGEBOLT	HEXAGON BOLT WITH FLANGE
7	1	440090	PAKNING	GASKET FOR CYLINDER HEAD COVER
8	1	440091	CYLINDERDÆKSEL	CYLINDER HEAD COVER ASSY
9	4	440092	BOLT	HEXAGON SHAFT SHOULDER BOLT
10	1	440093	PAKNING	OUTLET GASKET



POS	QTY	PARTNUMBER	BESKRIVELSE	DESCRIPTION
1	1	440094	LØBEHJUL	IMPELLER
2	1	440095	STARTSKIVE	STARTING DISC
3	1	440096	FLANGEMØTRIK	HEXAGON NUT WITH FLANGE
4	1	440097	SKJOLD	IMPELLER COVER
5	3	440098	FLANGEBOLT	HEXAGON BOLT WITH FLANGE
6	1	440099	BOLT	HEXAGON SHAFT SHOULDER BOLT
7	1	440100	LUFT DEFLEKTOR	AIR DEFLECTOR
8	1	440101	FLANGEBOLT	HEXAGON BOLT WITH FLANGE
9	3	440092	BOLT	HEXAGON SHAFT SHOULDER BOLT
10	1	440102	STARTERHUS	FAN COVER COMP.
11	1	440103	BESKYTTELSESRING	FAN COVER PROTECTION RING

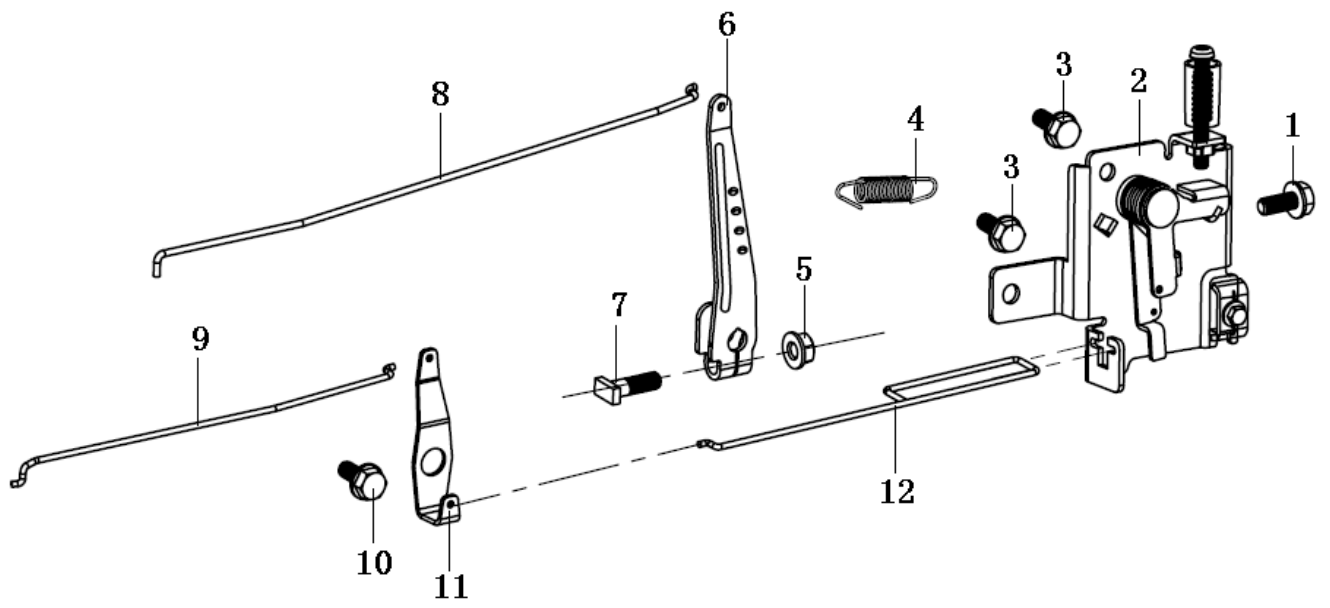


POS	QTY	PARTNUMBER	BESKRIVELSE	DESCRIPTION
1	1	440104	ENSRETTER	RECTIFIERVARIABLE VOLTAGE RECTIFIER
2	2	440101	FLANGEBOLT	HEXAGON BOLT WITH FLANGE
3	1	440105	FORBINDELSESLEDNING	CONNECTING WIRE
4	1	440106	OPLADNINGSKOMPONENT	COMPONENTS OF CHARGING CURRENT ARMATURE
5	4	440107	FLANGEBOLT	HEXAGON BOLT WITH FLANGE
6	1	440108	SVINGHJUL	FLYWHEEL COMP
7	2	440109	FLANGEBOLT	HEXAGON BOLT WITH FLANGE
8	1	440110	STOPKABEL	STOP WIRE
9	1	436554	TÆNDRØRSHÆTTE	SPARKPLUG CAP
10	1	436555	TÆENDSPOLE	IGNITION COIL ASSEY
11	1	440111	KABELHOLDER	LOCATION WIRE NAIL

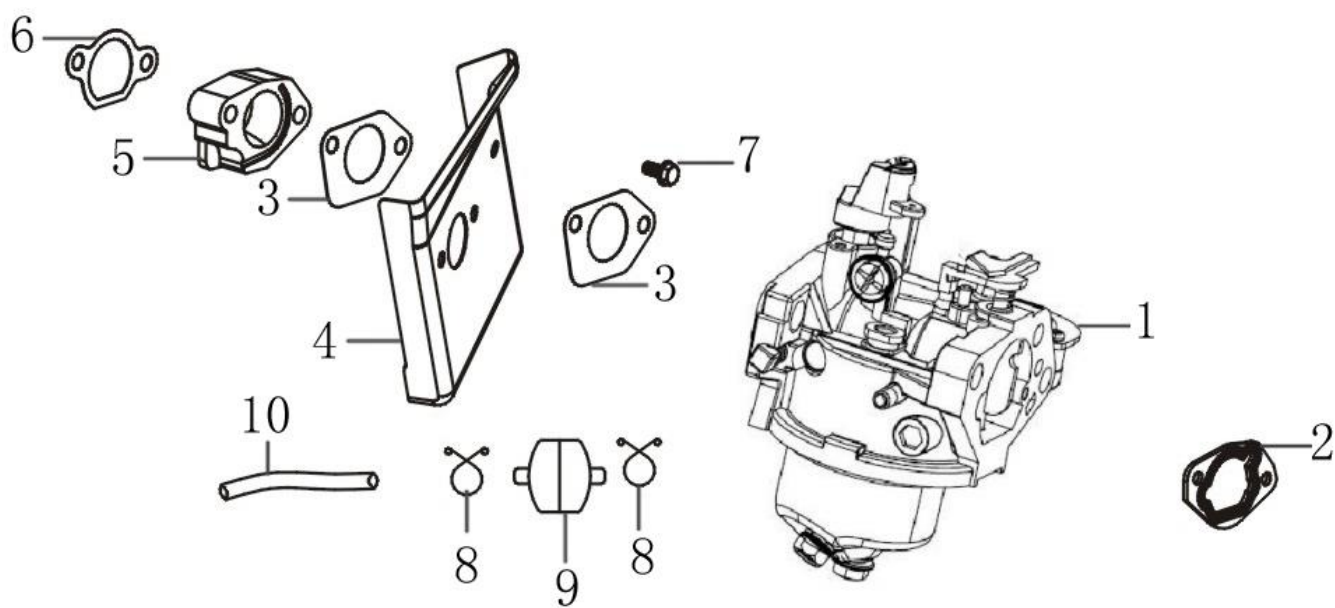


POS	QTY	PARTNUMBER	BESKRIVELSE	DESCRIPTION
1	1	440112	STARTER	COMPONENTS OF STARTING MOTOR
2	1	440113	BESLAG	RECTIFIER VOLTAGE REGULATOR SUPPORT
3	2	440114	FLANGEBOLT	HEXAGON BOLT WITH FLANGE

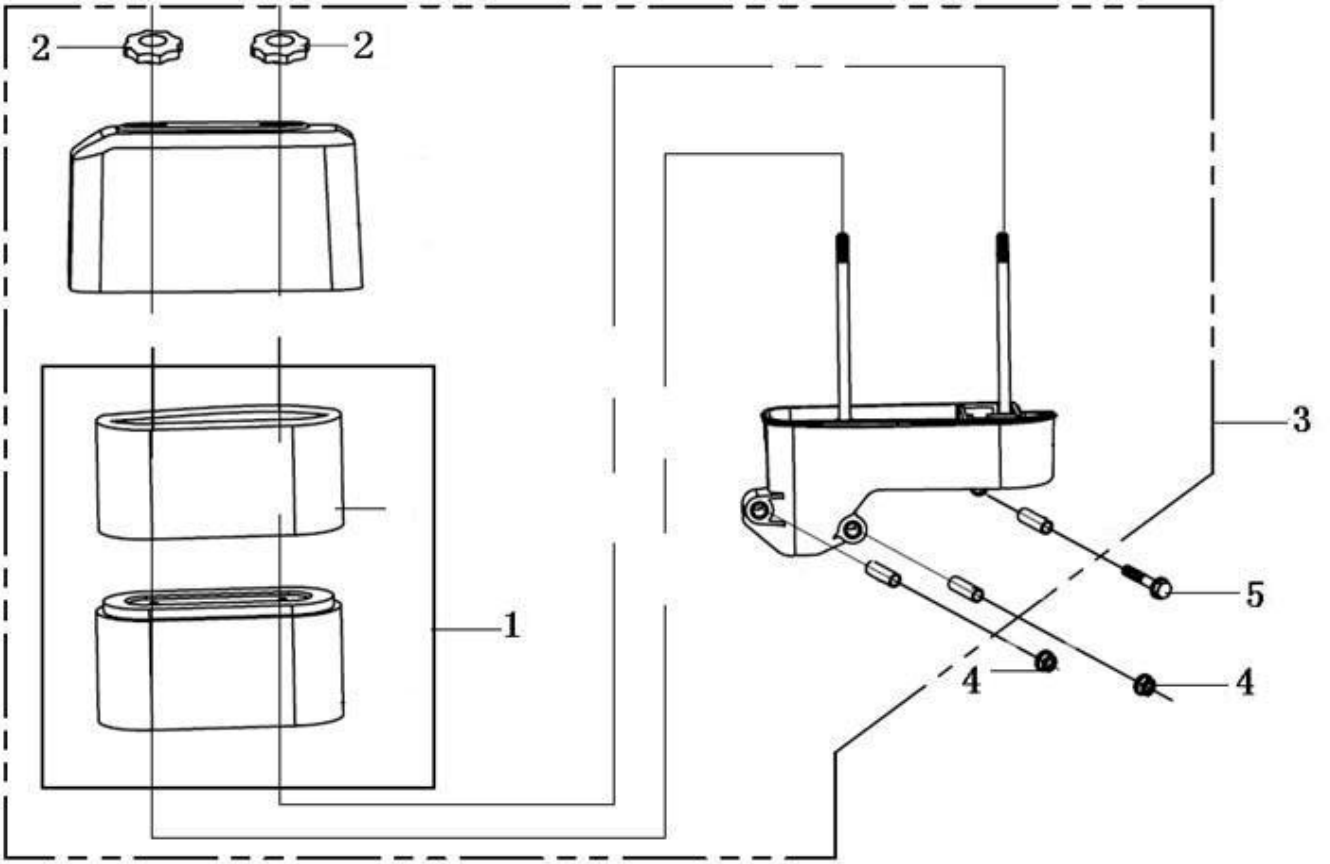




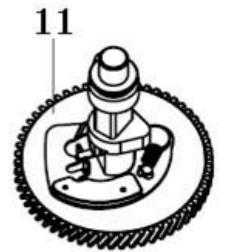
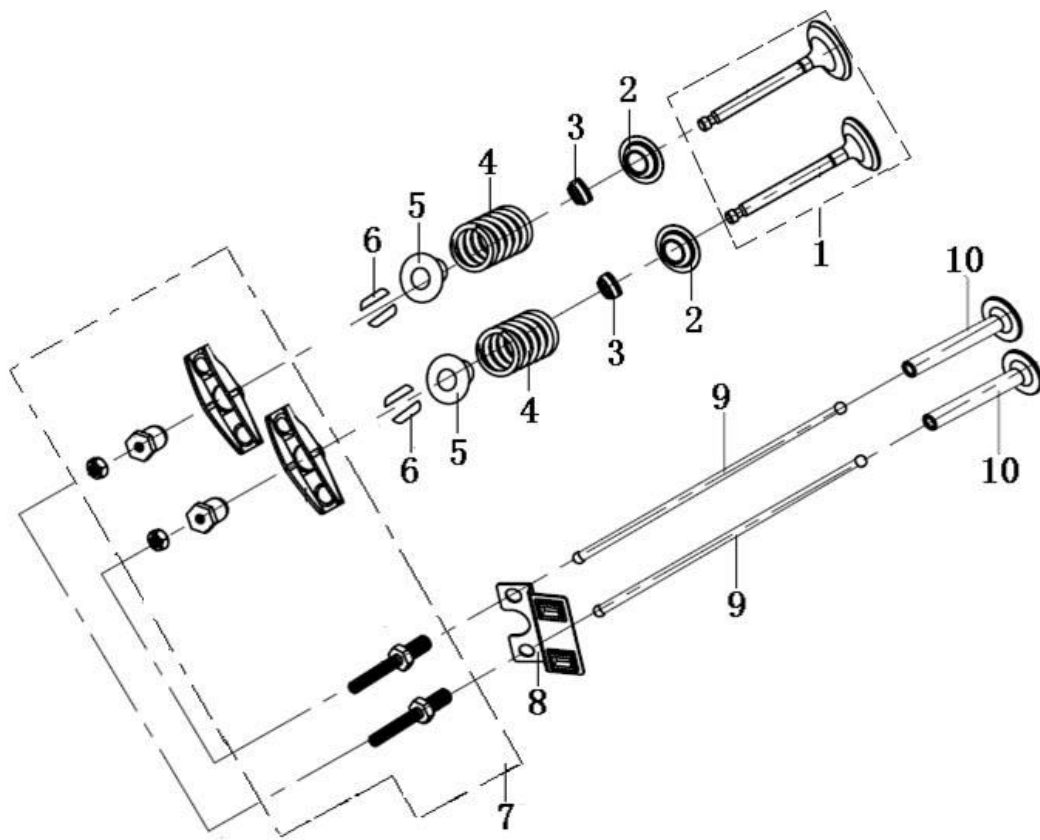
POS	QTY	PARTNUMBER	BESKRIVELSE	DESCRIPTION
1	1	440115	FLANGEBOLT	HEXAGON BOLT WITH FLANGE
2	1	440116	GASBESLAG	THROTTLE HANDLE COMBINATION
3	2	440117	FLANGEBOLT	HEXAGON BOLT WITH FLANGE
4	1	440118	FJEDER	GOVERNING SPRING
5	1	440119	FLANGEMØTRIK	HEXAGON NUT WITH FLANGE
6	1	440120	BESLAG	SPEED REGULATING BRACKET
7	1	440121	FIRKANTSKRUE	SQUARE HEAD SET SCREW WITH FLAT POINT
8	1	440122	GASSTANG	THROTTLE ROD
9	1	440123	STANG	CHOKE VALVE BAR
10	1	440124	BOLT	HEXAGON SHAFT SHOULDER BOLT
11	1	440125	BESLAG	CHOKE VALVE BRACKET
12	1	440126	FORBINDELSSESSTANG	CHOKE VALVE PULL ROD



POS	QTY	PARTNUMBER	BESKRIVELSE	DESCRIPTION
1	1	436557	KARBURATOR	CARBURETOR
2	1	436558	KARBURATOR PAKNING	GASKET CARBURETOR
3	2	436559	KARBURATOR PAKNING	CARBURETOR GASKET 2
4	1	440127	LUFT DEFLEKTOR	AIR DEFLECTOR
5	1	440128	MELLEMSTYKKE	HEAT INSULATING PAD FOR CARBURETOR
6	1	436560	KABURATOR PAKNING	CABURETOR GASKET 3
7	1	440101	FLANGEBOLT	HEXAGON BOLT WITH FLANGE
8	2	440129	KLEMME	PIPE CLIP
9	1	440130	TANKFILTER	FUEL FILTER
10	1	440131	OLIESLANGE	OIL TUBE

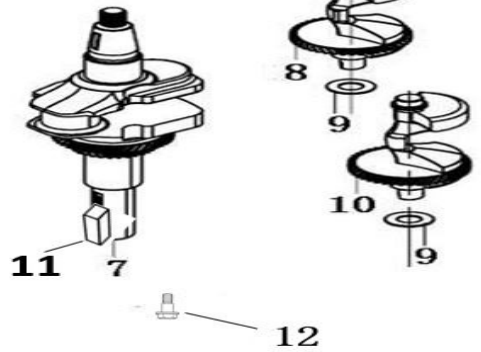
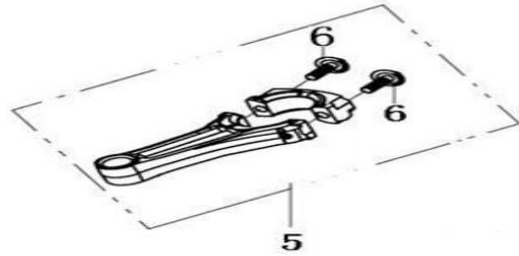
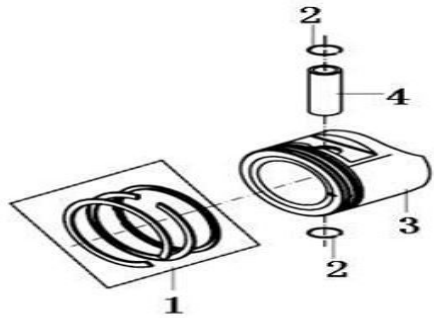


POS	QTY	PARTNUMBER	BESKRIVELSE	DESCRIPTION
1	1	436552	LUFTFILTER ELEMENT	AIR FILTER ELEMENT
2	2	440132	MØTRIK	BOLT HANDLE
3	1	436553	LUFTFILTER KPL. MED DÆKSEL	AIRFILTER WITH COVER
4	2	440119	FLANGEMØTRIK	HEXAGON NUT WITH FLANGE
5	1	440133	FLANGEBOLT	HEXAGON BOLT WITH FLANGE

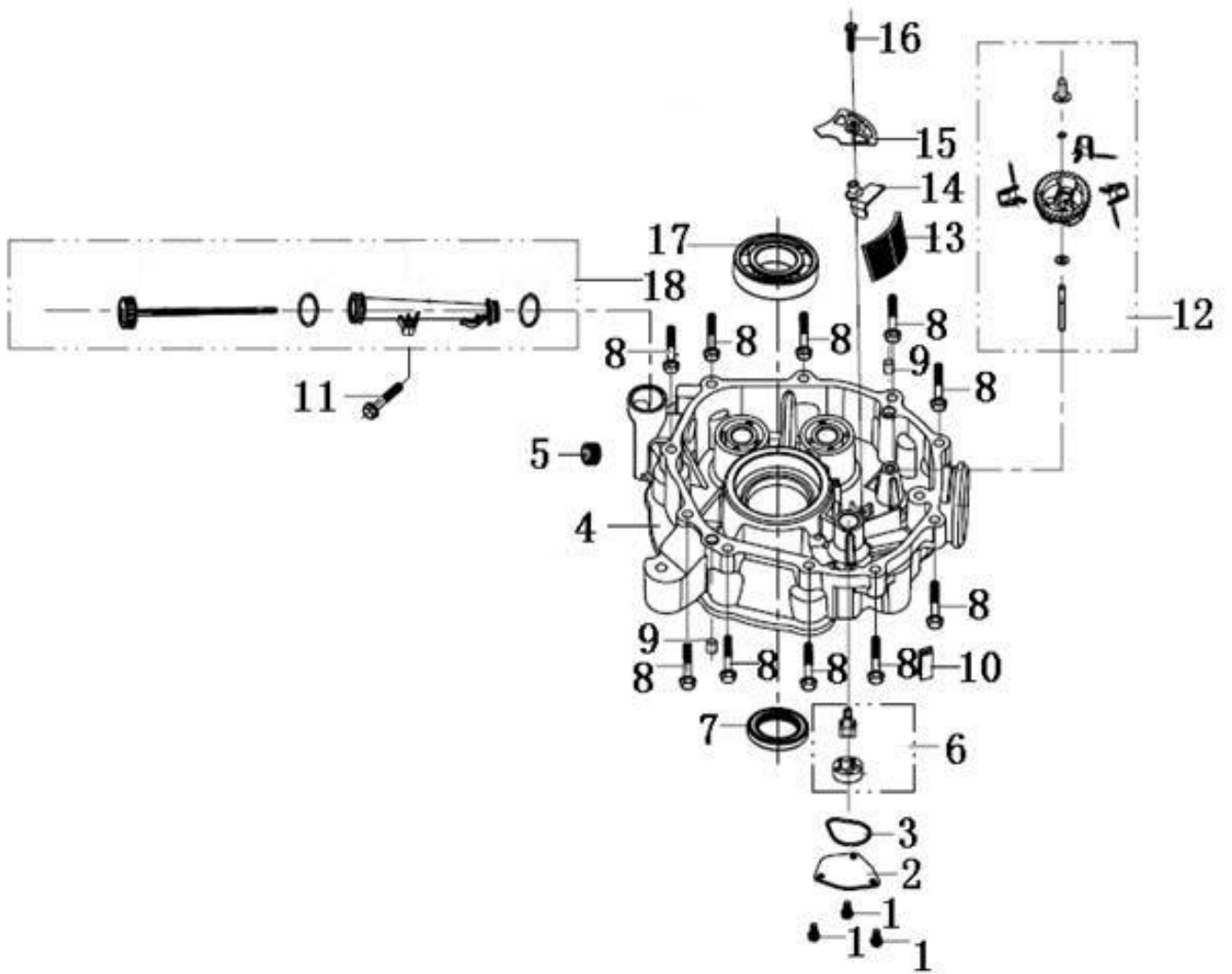


POS	QTY	PARTNUMBER	BESKRIVELSE	DESCRIPTION
1	1	440134	VENTIL	VALVE KIT
2	2	440135	FJEDER	SEAT, VALVE SPRING
3	2	440136	OLIEVENTIL	VALVE OIL SEAL
4	2	440137	FJEDER	INNER SPRING OF VALVE
5	2	440138	FJEDERHOLDER	RETAINER, VALVE SPRING
6	4	440139	VENTILLÅS	VALVE LOCKER
7	2	440140	VENTIL KOMBINATION	VALVE ROCKER COMBINATION
8	1	440141	PLADE	PLATE, PUSH ROD GUIDE
9	2	440142	STANG	PUSH ROD
10	2	440143	VENTILLØFTER	LIFTER, VALVE
11	1	440144	KNASTAKSEL	CAMSHAFT ASSY

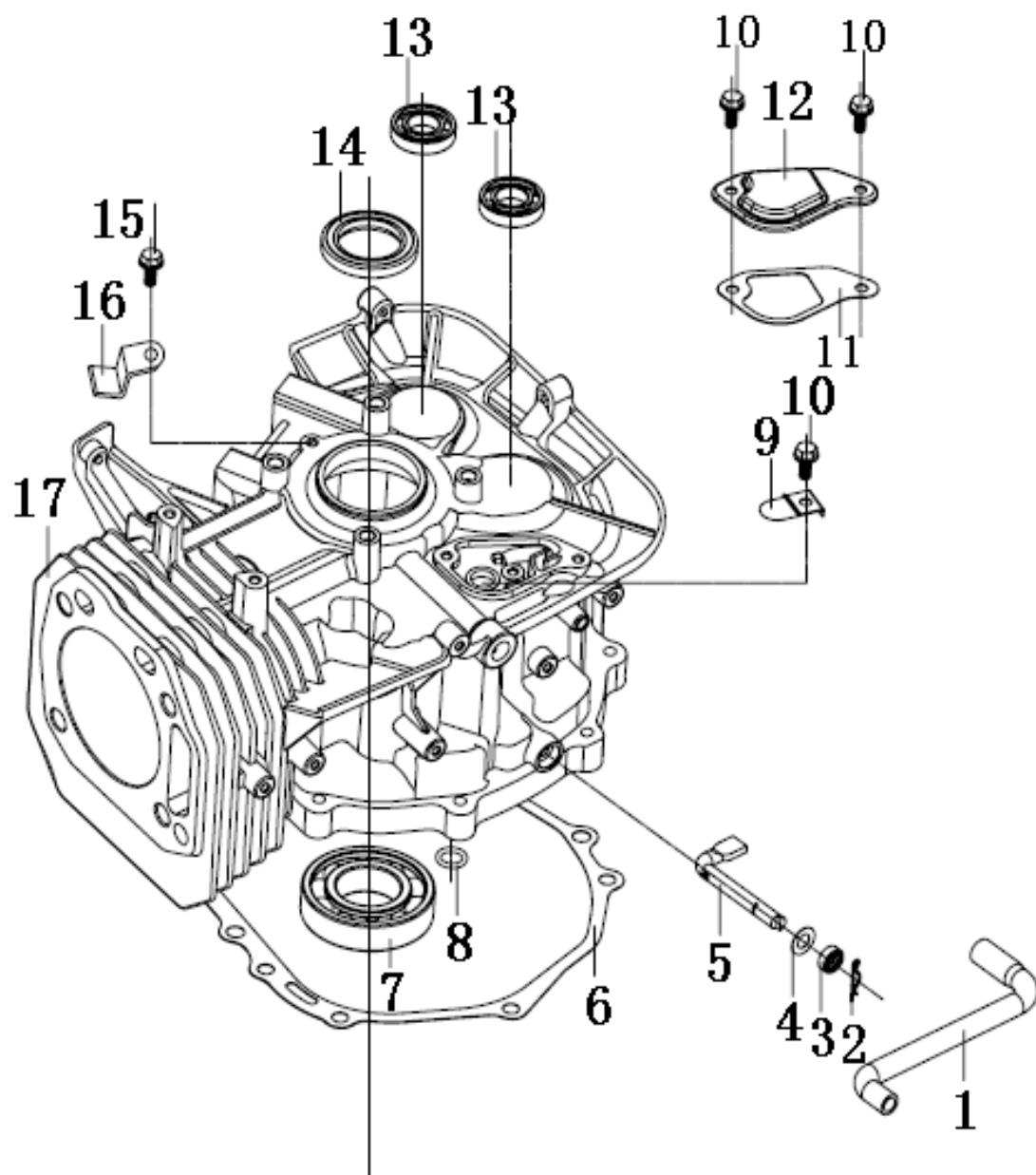




POS	QTY	PARTNUMBER	BESKRIVELSE	DESCRIPTION
1	1	440145	STEMPELRINGE	PISTON RING COMBINATION
2	2	440146	KABELHOLDER	STEEL CABLE BAFFLE RING
3	1	440147	STEMPEL	PISTON
4	1	440148	STEMPELRØR	PISTON PIN
5	1	440149	FORBINDELSSESSTANG	CONNECTING ROD
6	2	440150	BOLT	CONNECTING ROD BOLT
7	1	440151	KRUMTAPAKSEL	CRANKSHAFT
8	1	440152	BALANCEAKSEL	BALANCING SHAFT
9	2	440153	SKIVE	FLAT WASHER
10	1	440154	BALANCEAKSEL	BALANCING SHAFT
11	1	440155	NØGLE	KEY
12	1	440156	FLANGEBOLT	HEXAGON BOLT WITH FLANGE



POS	QTY	PARTNUMBER	BESKRIVELSE	DESCRIPTION
1	3	440115	FLANGEBOLT	HEXAGON BOLT WITH FLANGE
2	1	440157	OLIEDÆKSEL	OIL PUMP COVER
3	1	440158	TÆTNINGSRING	SEAL RING
4	1	440159	KRUMTAPHUS	CRANKCASE COVER
5	1	440160	TÆTNINGSSKRUE	SEALING PLUG SCREW
6	1	440161	OLIEPUMPE KOMPONENTER	COMPONENTS OF OIL PUMP
7	1	440162	OLIETÆTNINGSRING	OIL SEAL
8	10	440163	FLANGEBOLT	HEXAGON BOLT WITH FLANGE
9	2	440164	STIFT	OCATION PIN
10	1	440165	OLIEPLADE	ENGINE OIL RETURN BLOCK
11	1	440133	FLANGEBOLT	HEXAGON BOLT WITH FLANGE
12	1	440166	GEAR KOMPONENTER	COMPONENTS OF GOVERNOR GEAR
13	1	440167	OLIEFILTER	ENGINE OIL STRAINER
14	1	440168	PLADE	PRESSING PLATE FOR OIL GROOVE
15	1	440169	OLIEDÆKSEL	COVER,OIL STRAINER
16	1	440109	FLANGEBOLT	HEXAGON BOLT WITH FLANGE
17	1	440170	LEJE	BEARING
18	1	440171	OLIERØR	OIL RULE COMBINATION



POS	QTY	PARTNUMBER	BESKRIVELSE	DESCRIPTION
1	1	440172	LUFTRØR	BREATHER TUBE
2	1	440173	KLEMME	PIN CLIP
3	1	440174	OLIETÆTNINGSRING	OIL SEAL
4	1	440175	SKIVE	FLAT WASHER
5	1	440176	REGULATORARM	SPEED REGULATING ARM
6	1	440177	PAKNING	CRANKCASE COVER GASKET
7	1	440170	LEJE	BEARING
8	1	440178	SKIVE	SEAL RING
9	1	440179	PLADE	LEAF VALVE
10	3	440101	FLANGEBOLT	HEXAGON BOLT WITH FLANGE
11	1	440180	PAKNING	PACKING?BREATHER CHAMBER
12	1	440181	LUFTFILTERELEMENT	CAP,BREATHER CHAMBER
13	2	440182	LEJE	BEARING
14	1	440162	OLIETÆTNINGSRING	OIL SEAL
15	1	440117	FLANGEBOLT	HEXAGON BOLT WITH FLANGE
16	1	440183	PLADE	PRESSING PLATE
17	1	440184	KRUMTAP	CRANKCASE BODY