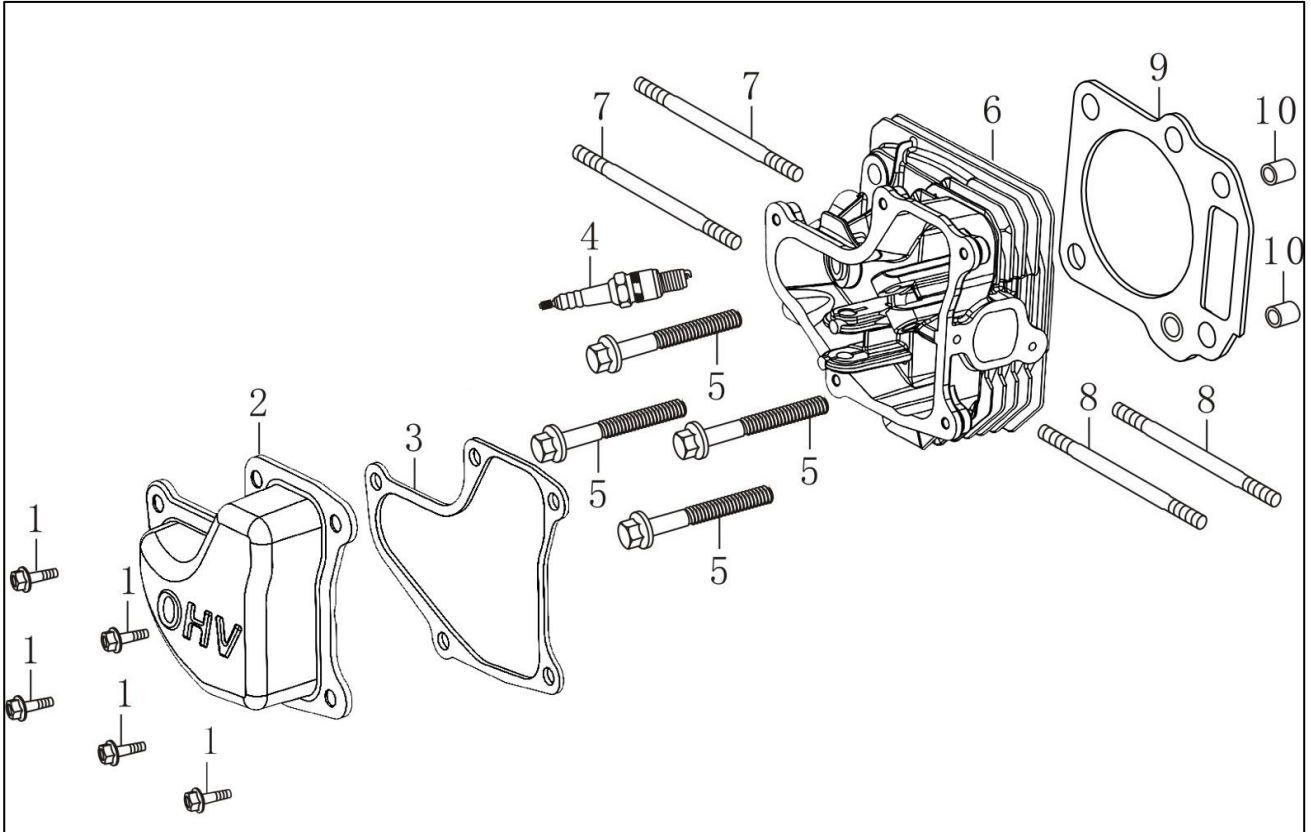


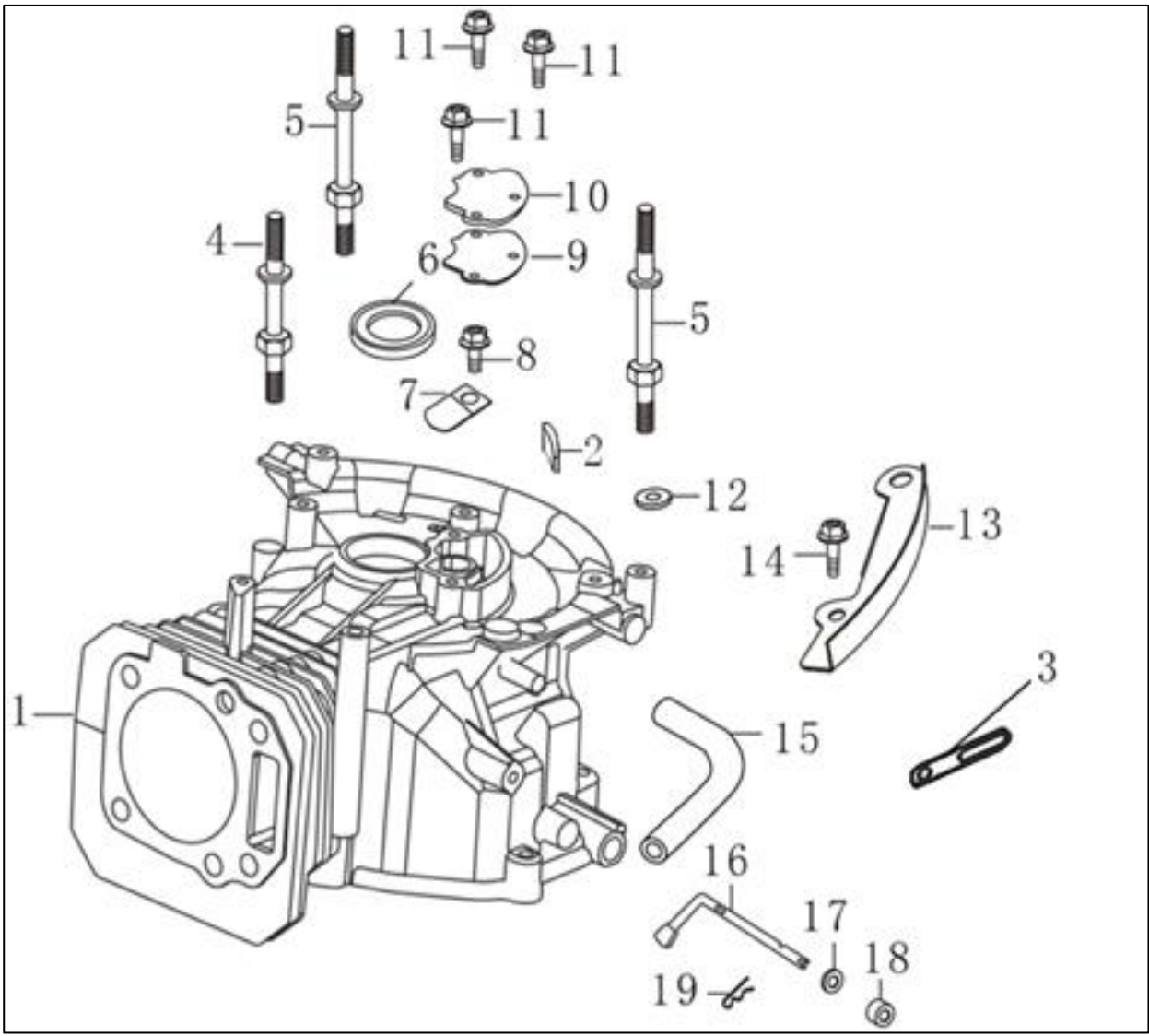
Model: Loncin 1P70FC

Part number: 450003

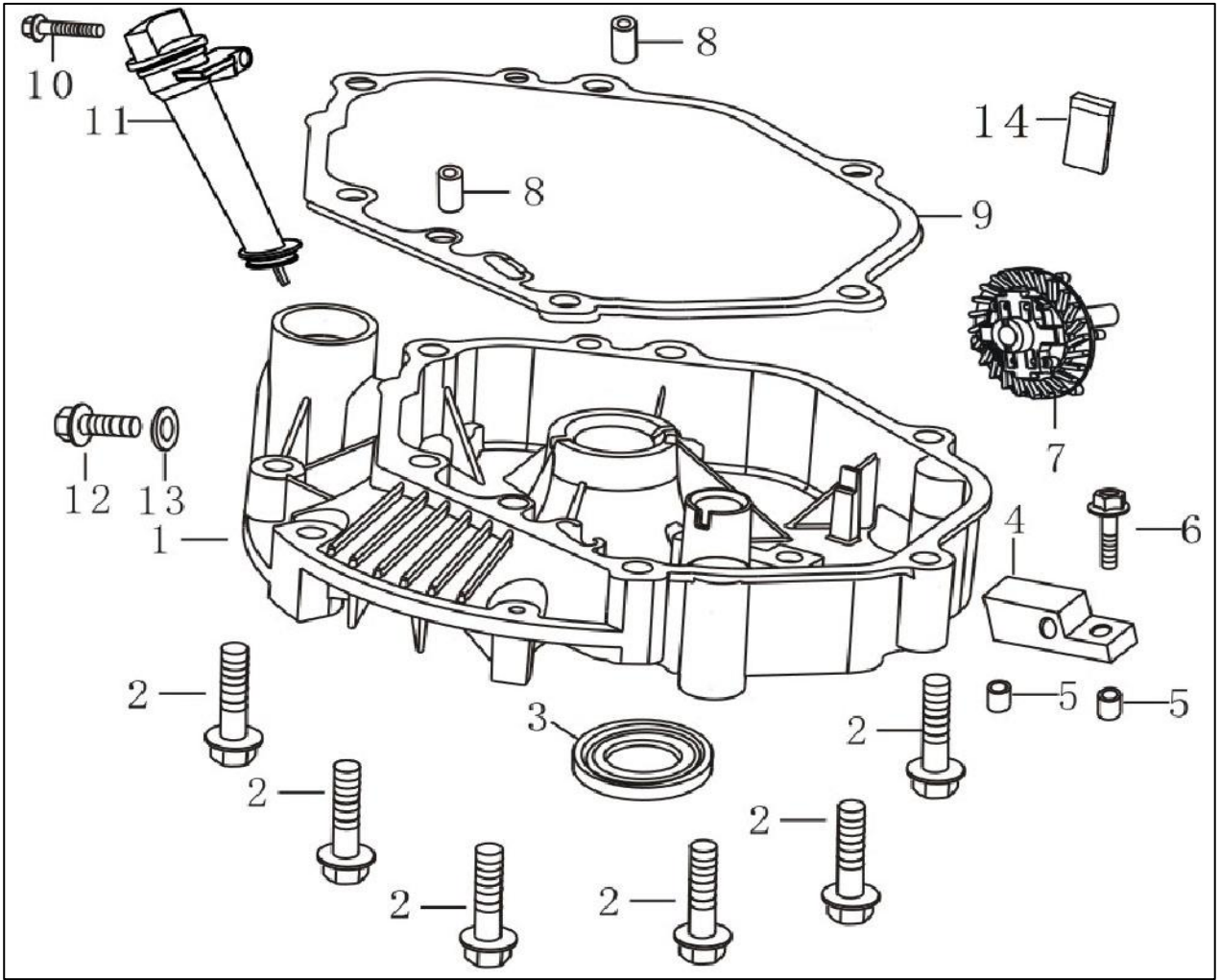
Year: 2020



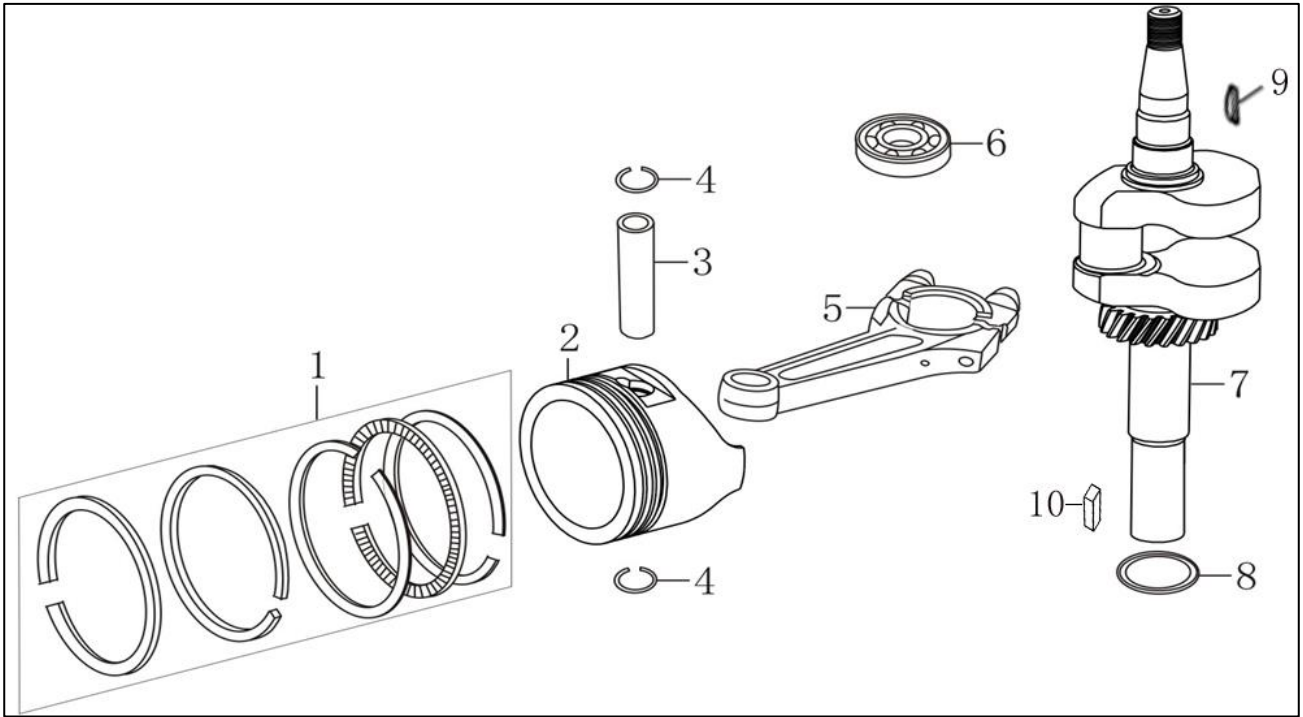
POS	QTY	PARTNUMBER	BESKRIVELSE	DESCRIPTION
1	5	447713	FLANGEBOLT	HEXAGON SHAFT SHOULDER BOLT
2	1	447714	VENTILDÆKSEL	CYLINDER HEAD COVER
3	1	447715	PAKNING	GASKET FOR CYLINDER HEAD COVER
4	1	447716	TÆNDRØR	SPARK PLUG
5	4	447717	FLANGEBOLT	HEXAGON BOLT WITH FLANGE
6	1	447718	TOPSTYKKE	CYLINDER HEAD
7	2	428014	PINBOLT M6X95	PIN BOLT M6X95
8	2	447719	PINBOLT	STUD
9	1	447720	PAKNING	GASKET FOR CYLINDER HEAD
10	2	425808	NOT	KEY



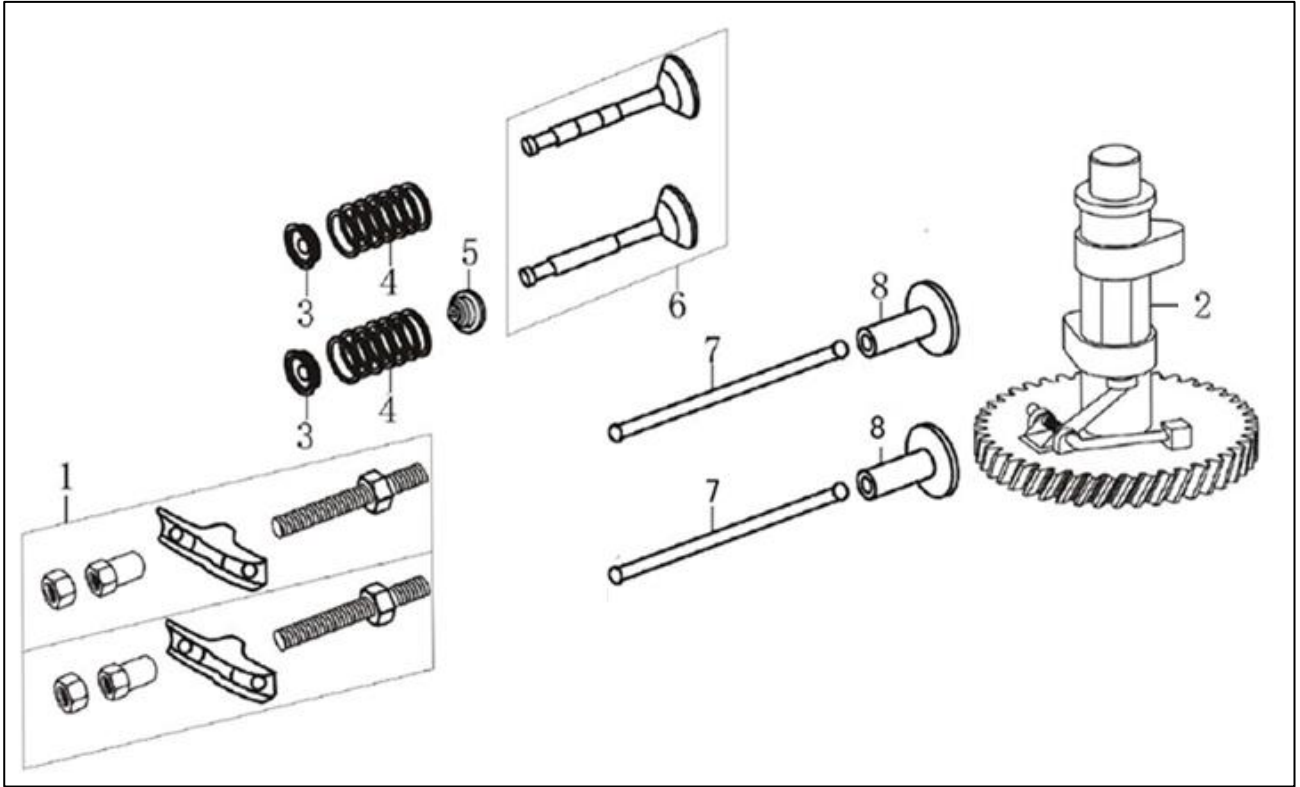
POS	QTY	PARTNUMBER	BESKRIVELSE	DESCRIPTION
1	1	447721	CYLINDER	CRANKCASE BODY
2	1	447722	OLIE SI	ENGINE OIL STRAINER
3	1	447723	KABELSKO	CABLE CLEAT
4	1	428019	PINBOLT M6X78,5	PIN BOLT M6X78,5
5	2	428020	PINBOLT M6X85	PIN BOLT M6X85
6	1	447724	PAKDÅSE	OIL SEAL
7	1	428022	VENTIL (LAMEL)	VALVE
8	1	447725	FLANGEBOLT	HEXAGON BOLT WITH FLANGE
9	1	428025	PAKNING FOR LUFTKAMMER	GASKET
10	1	428024	PLADE FOR LUFTKAMMER	PLATE
11	3	447726	FLANGEBOLT	HEXAGON BOLT WITH FLANGE
12	1	447727	BØS	BUSHING
13	1	447728	SIDEPLADE	SIDE PLATE
14	1	447729	FLANGEBOLT	HEXAGON BOLT WITH FLANGE
15	1	447730	ÅNDERØR	BREATHER TUBE
16	1	428030	ARM	LEVER
17	1	447731	SKIVE	FLAT WASHER
18	1	447732	PAKDÅSE	OIL SEAL
19	1	420260	STIFT	PIN



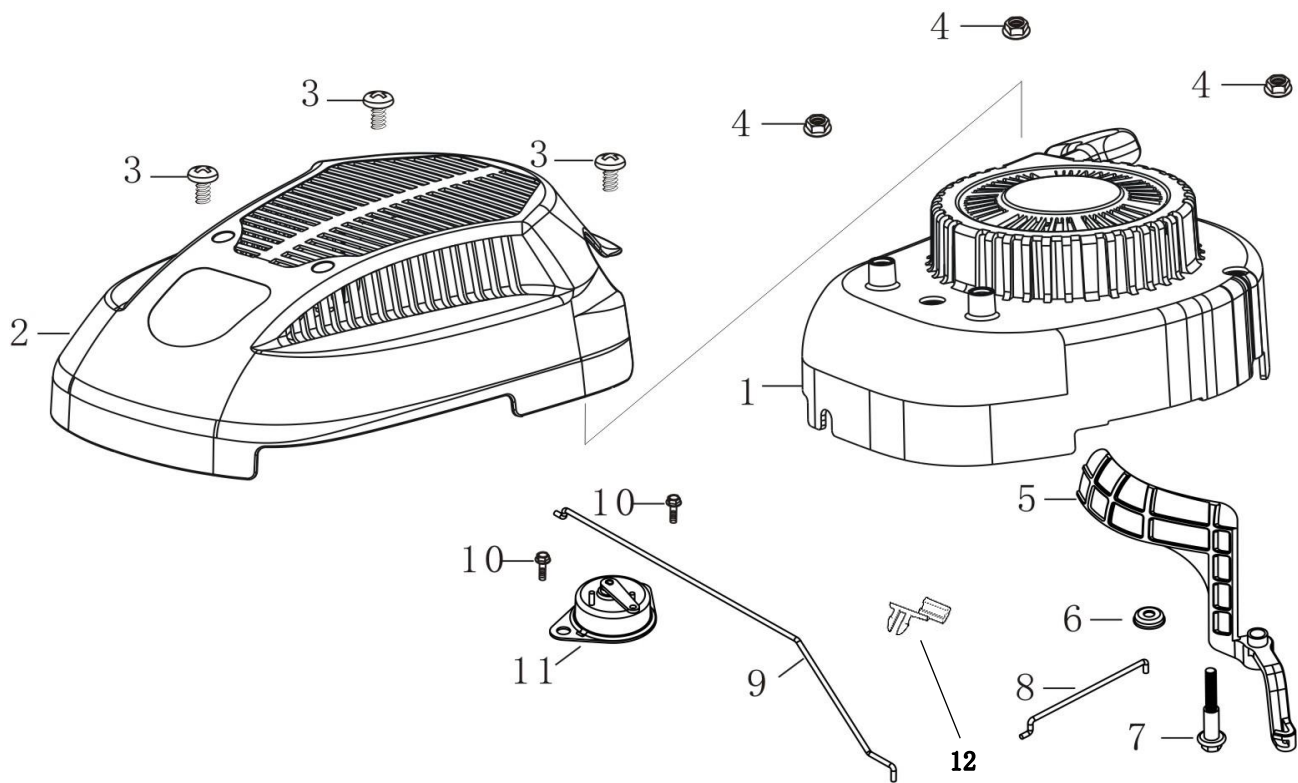
POS	QTY	PARTNUMBER	BESKRIVELSE	DESCRIPTION
1	1	428033	BUNDKAR	OIL PAN
2	6	428034	FLANGEBOLT M8X50	COLLAR BOLT M8X50
3	1	447733	PAKDÅSE	OIL SEAL
4	1	428036	PLADE FOR ARM	PLATE
5	2	447734	TAP	OCATION PIN
6	1	447735	FLANGEBOLT	HEXAGON BOLT WITH FLANGE
7	1	447736	TANDHJUL	COMPONENTS OF GOVERNOR GEAR
8	2	425866	NOT 8X14	KEY 8X14
9	1	428040	PAKNING FOR BUNDKAR	GASKET
10	1	447737	FLANGEBOLT	HEXAGON BOLT WITH FLANGE
11	1	428042	OLIEPIND MED RØR KOMPLET	OIL DIPSTICK
12	1	420280	BUNDSKRUE	BOTTOM SCREW
13	1	425811	SKIVE 10X16X1.5	WASHER 10X16X1.5
14	1	428043	DEFLEKTOR GUMMI	DEFLECTOR



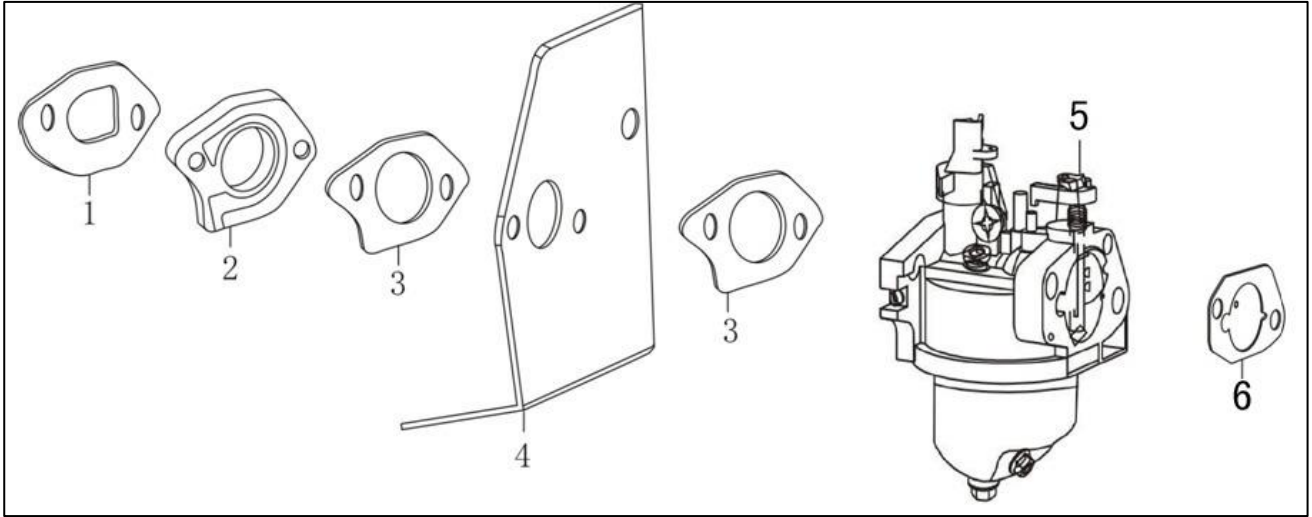
POS	QTY	PARTNUMBER	BESKRIVELSE	DESCRIPTION
1	1	447738	STEMPELRINGESÆT	PISTON RING COMBINATION
2	1	447739	STEMPEL	PISTON
3	1	425870	KRYDSPIND	CROSSHEAD TUBE
4	2	425874	LÅSERING	LOCKING RING
5	1	428044	PLEJLSTANG MED SKRUER	PISTON ROD
6	1	447740	KUGLELEJE	BEARING
7	1	428046	KRUMTAP	CRANK
8	1	428047	SKIVE Ø25,4X34X1	WASHER Ø25,4X34X1
9	1	428048	NOT 40X4.75X4.75	KEY 40X4.75X4.75



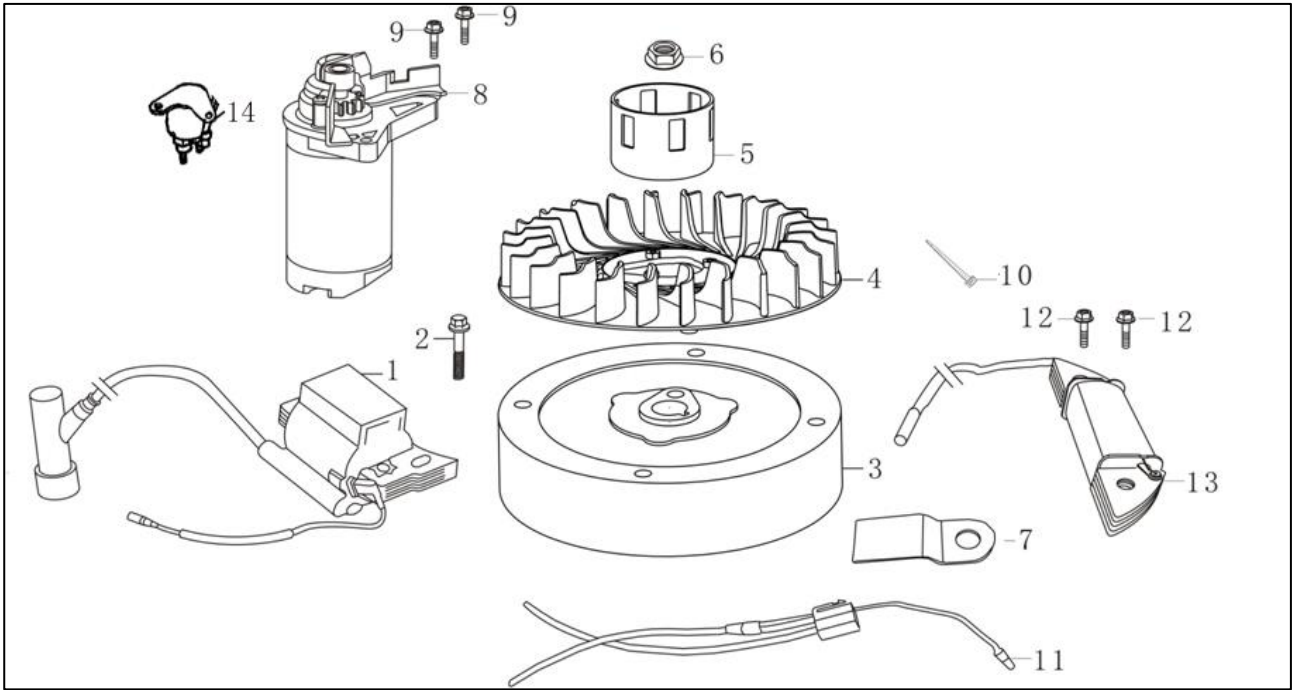
POS	QTY	PARTNUMBER	BESKRIVELSE	DESCRIPTION
1	1	447742	ARM	VALVE ROCKER COMBINATION
2	1	447743	KNASTAKSEL	CAMSHAFT ASSY
3	2	447744	FJEDERHOLDER	RETAINER, VALVE SPRING
4	2	425883	VENTIL	VALVE SPRING
5	1	447745	PAKDÅSE	VALVE OIL SEAL
6	1	447746	VENTILSÆT	VALVE KIT
7	2	447747	FORBINDELSESSTANG	PUSH ROD
8	2	428052	VENTILLØFTER	VALVE TAPPET



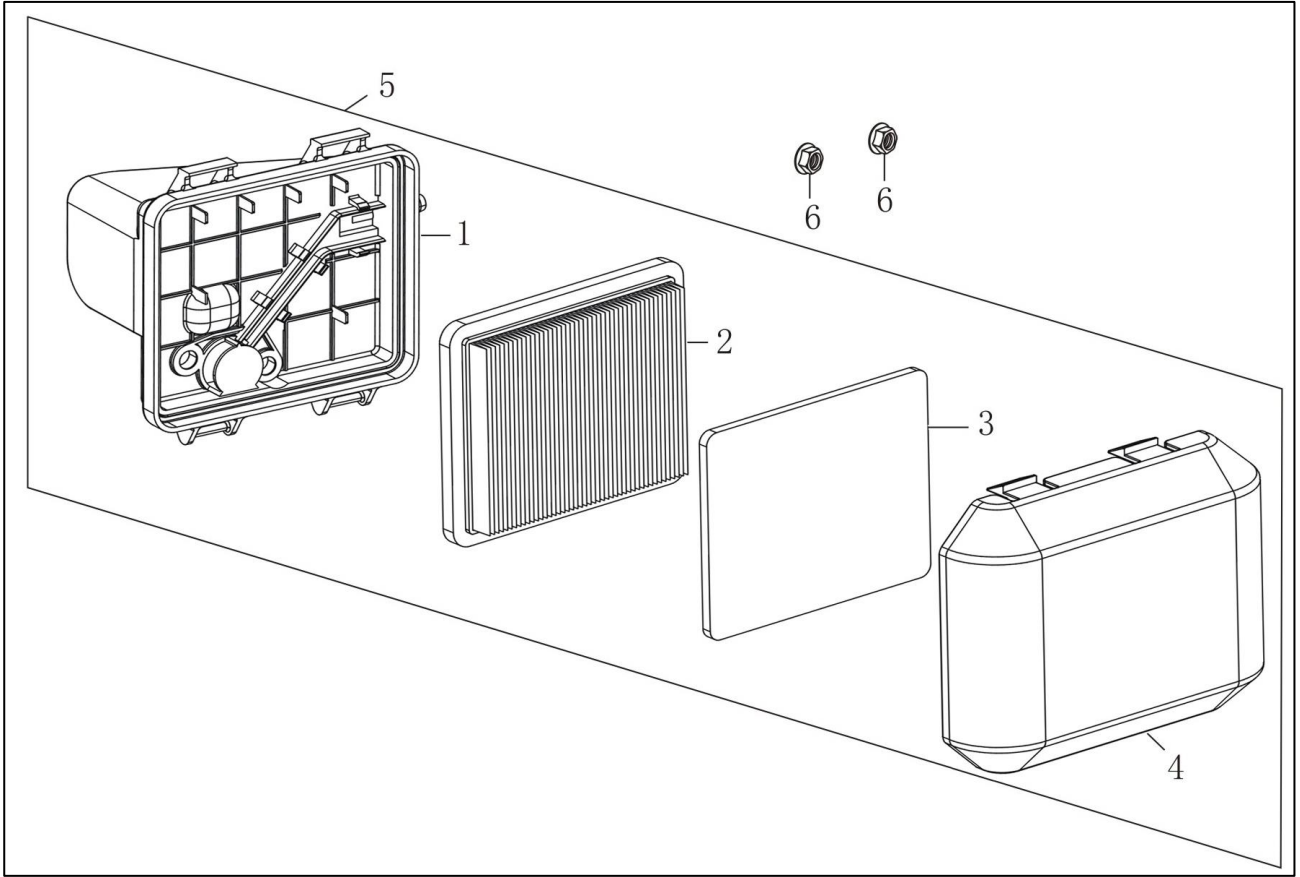
POS	QTY	PARTNUMBER	BESKRIVELSE	DESCRIPTION
1	1	428055	REKYLSTARTER	RECOILSTARTER
2	1	428056	MOTORDÆKSEL	ENGINE COVER
3	3	420334	SKRUE 4X10	SCREW 4X10
4	3	427799	FLANGEMØTRIK M6	COLLAR NUT M6
5	1	447748	GAS REGULERING	LAMINA,CONTEOL THROTTLE
6	1	447749	STØVHÆTTE	DUST CAP
7	1	447750	FLANGEBOLT	HEXAGON SHAFT SHOULDER BOLT
8	1	447751	CHOKERSTANG	CHOKE VALVE PULL ROD
9	1	447752	CHOKERSTANG	CHOKE VALVE PULL ROD
10	2	447753	FLANGEBOLT	HEXAGON BOLT WITH FLANGE
11	1	447754	CHOKERVENTIL	CONTROL COMPONENTS OF CHOKE VALVE
12	1	447755	LÅS	LOCKER OF CHOKE VALVE PULL ROB



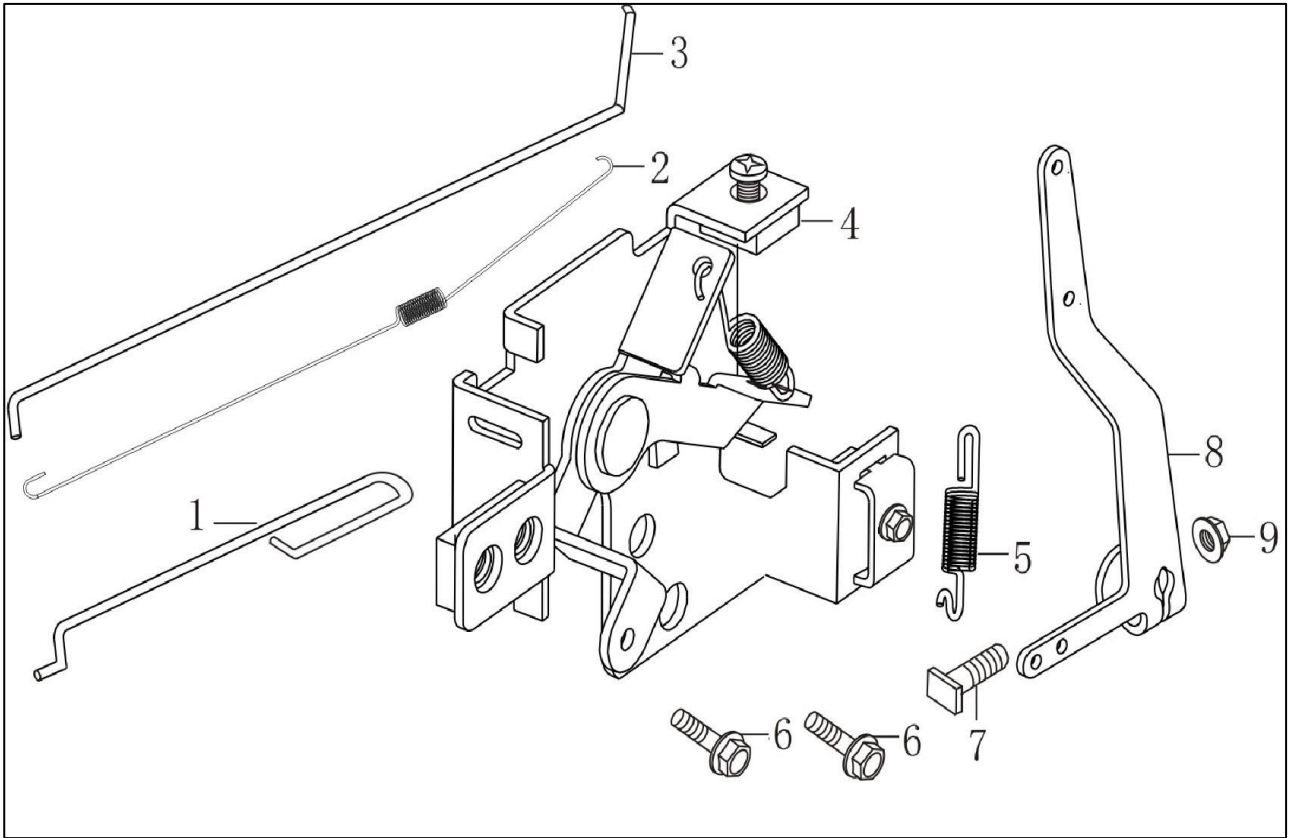
POS	QTY	PARTNUMBER	BESKRIVELSE	DESCRIPTION
1	1	447756	PAKNING	CARBURETOR GASKET
2	1	447757	INSOLATOR	HEAT INSULATING PAD FOR CARBURETOR
3	2	428059	PAKNING FOR KARBURATOR	GASKET
4	1	428060	PAKNING FOR KARBURATOR	GASKET
5	1	447758	KARBURATOR	CARBURETOR
6	1	447759	PAKNING	CARBURETOR GASKET



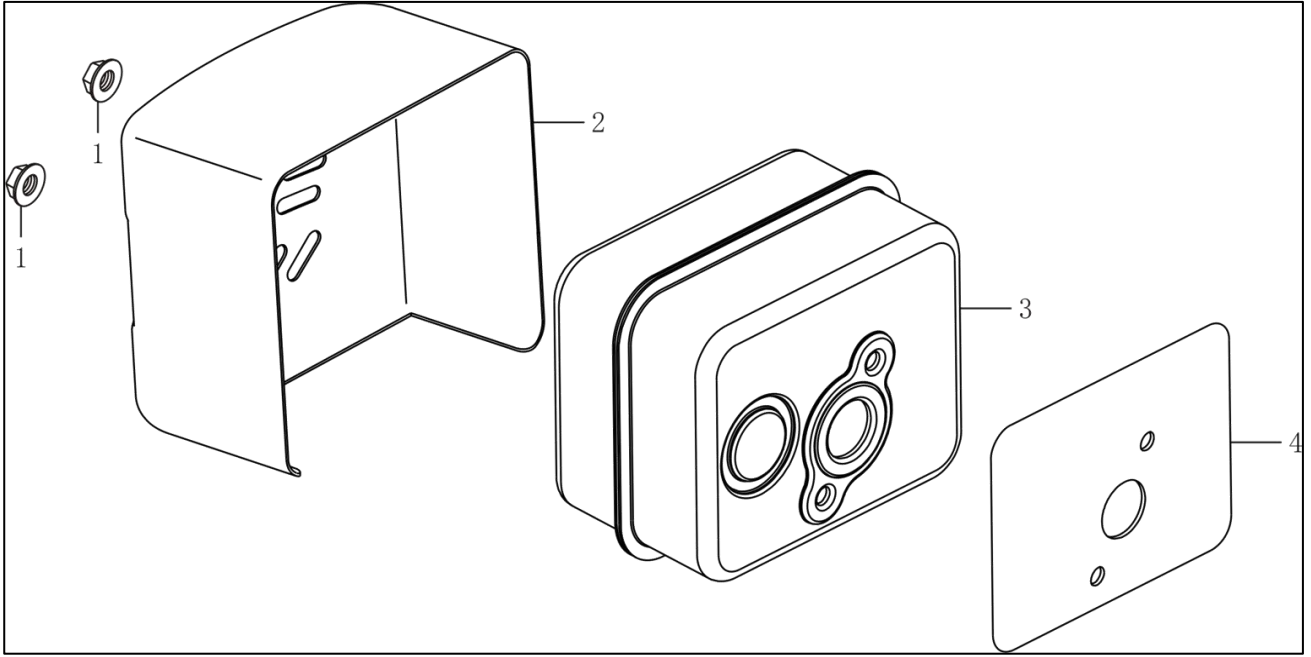
POS	QTY	PARTNUMBER	BESKRIVELSE	DESCRIPTION
1	1	447760	TÆNDSPOLE	COIL ASSY.,IGNNTION
2	3	447729	FLANGEBOLT	HEXAGON BOLT WITH FLANGE
3	1	447761	SVINGHJUL	FLYWHEEL COMP
4	1	428065	BLÆSEHJUL	FAN
5	1	428066	STARTTRISSE	STARTER SPOOL
6	1	425928	MØTRIK SPECIAL	NUT SPECIAL
7	1	428073	BESLAG FOR LADESPOLE	BRACKET
8	1	447762	STARTER MOTOR	COMPONENTS OF STARTING MOTOR
9	2	428068	FLANGEBOLT M6X28	COLLAR BOLT M6X28
10	2	425876	STRIP	STRIP
11	1	447763	LEDNING	WIRE BUNDLE OF STARTING MOTOR
12	2	447729	FLANGEBOLT	HEXAGON BOLT WITH FLANGE
13	1	447764	LADESPOLE	COMPONENTS OF CHARGING CURRENT ARMATURE
14	1	447765	STARTER RELÆ	STARTING RELAY



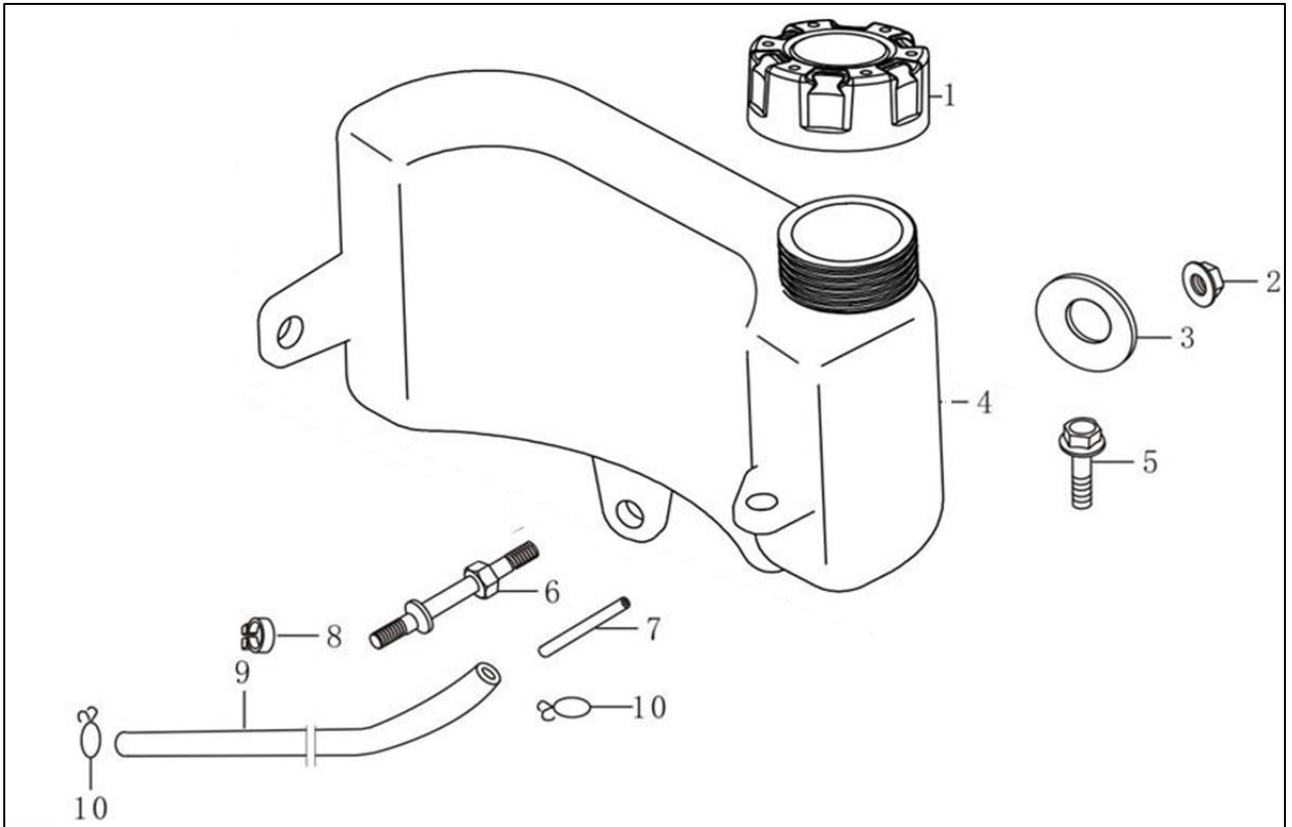
POS	QTY	PARTNUMBER	BESKRIVELSE	DESCRIPTION
1	1	447766	LUFTFILTERHUS	AIR FILTER SEAT
2	1	447767	LUFTFILTER	AIR FILTER ELEMENT
3	1	447768	LUFTFILTER ELEMENT	AIR FILTER ELEMENT
4	1	447769	LUFTFILTER DÆKSEL	AIR FILTER CASING COVER
5	1	447770	LUFTFILTER KOMPLET	AIR FILTER
6	2	427799	FLANGEMØTRIK M6	COLLAR NUT M6



POS	QTY	PARTNUMBER	BESKRIVELSE	DESCRIPTION
2	1	428083	RETURFJEDER FOR GAS	RETURN SPRING
3	1	428084	FORBINDELSSESSTANG	FILLING ROD
4	1	447771	VENTILLØFTER	THROTTLE HANDLE COMBINATION
5	1	447772	FJEDER	GOVERNING SPRING
6	2	447773	FLANGEBOLT	HEXAGON BOLT WITH FLANGE
7	1	420337	BOLT (SPECIEL) M6X25	BOLT M6X25
8	1	447774	ARM	SPEED REGULATING BRACKET
9	1	427799	FLANGEMØTRIK M6	COLLAR NUT M6



POS	QTY	PARTNUMBER	BESKRIVELSE	DESCRIPTION
1	2	447775	FLANGEMØTRIK	HEXAGON NUT WITH FLANGE
2	1	447776	UDSTØDNINGSSKÆRM	MUFFLER GUARD SHIELD
3	1	447777	UDSTØDNING	MUFFLER
4	1	428091	PAKNING FOR UDSTØDNING	GASKET



POS	QTY	PARTNUMBER	BESKRIVELSE	DESCRIPTION
1	1	447778	TANKLÅG	TANK COVER
2	1	447775	FLANGEMØTRIK	HEXAGON NUT WITH FLANGE
3	1	428093	SKIVE 6X25X2	WASHER 6X25X2
4	1	428094	BRÆNDSTOFTANK	FUEL TANK
5	1	447779	FLANGEBOLT	HEXAGON BOLT WITH FLANGE
6	1	428095	PINBOLT M6X60	PIN BOLT M6X60
7	1	428096	VENTIL	VALVE
8	1	447780	CLIPS	LOCATION WIRE NAIL
9	1	447781	BRÆNDSTOFSLANGE	OIL TUBE
10	2	447782	CLIPS FOR SLANGE	CLIP COMBINATION