

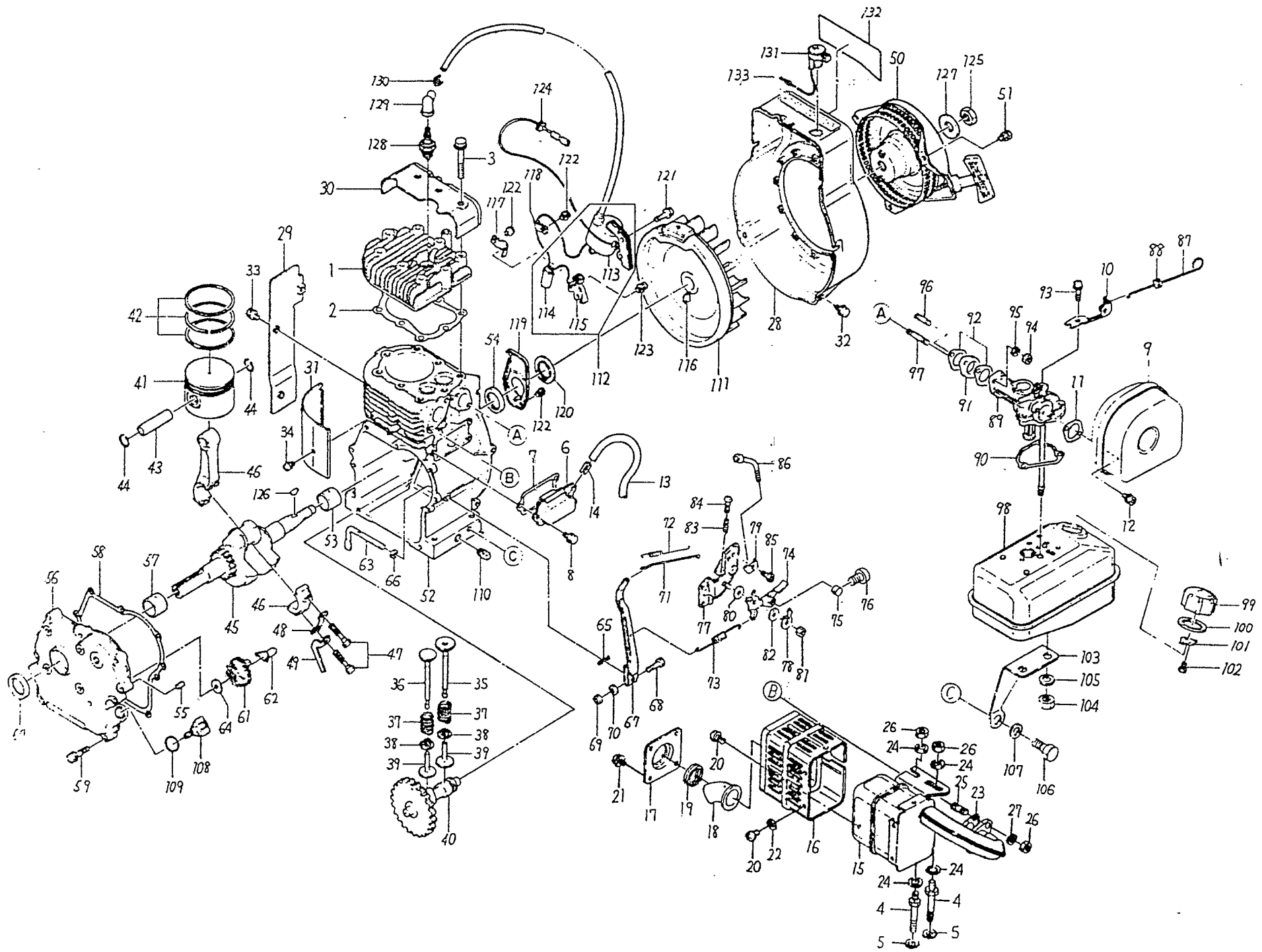
**KAWASAKI**  
**AIRCOOLED ENGINE**

**PARTS LIST**

FOR PETERSEN

FA 210 D

1 AKSEL



FA210D-246 315510A

見出番号 Ref No.	部品番号 Parts No.	部 品 名 Parts Name	個 数 Q'ty	標準小売/個 Standard Price	備 考 Remarks
1	315501-1111A	HEAD, cylinder	1		
2	315501-1121A	GASKET, head	1		
3	181G0855	BOLT (8x55)	2		
4	315504-1181A	BOLT	6		
5	410B0800	WASHER	6		
6	315501-1231B	COVER, inspection	1		
7	315501-1232A	GASKET	1		
8	186B0612	BOLT (6x12)	3		
9	315510-1310A	AIR CLEANER ASS'Y	1		See Fig. A-1
10	315501-1351A	STAY, air cleaner	1		
11	314401-1332A	GASKET	1		
12	314413-1316A	BOLT	3		
13	702A071000	TUBE, rubber	1		ℓ=155mm
14	314401-1341A	PIPE	1		
15	315504-1400A	MUFFLER ASS'Y	1		
16	315504-1431A	•COVER, muffler	1		
17	314406-1447A	•PLATE	1		
18	314406-1449A	•PIPE, tail	1		
19	314406-1455A	•SPRING	1		
20	314405-3091B	•SCREW	9		
21	235B0508	•SCREW (5x8)	4		
22	410B0400	•WASHER	5		
23	315501-1442A	GASKET	1		
24	314401-6681A	WASHER	4		
25	171G0816	STUD	2		
26	311R0800A	NUT (8mm)	4		
27	410B0800	WASHER	2		
28	315501-1611A	CASE, spiral	1		
29	315501-1612A	COVER, cylinder	1		
30	315501-1631A	COVER, cylinder head	1		
31	315501-1632A	COVER, cylinder	1		
32	186B0610	BOLT (6x10)	5		
33	186B0612	BOLT (6x12)	2		

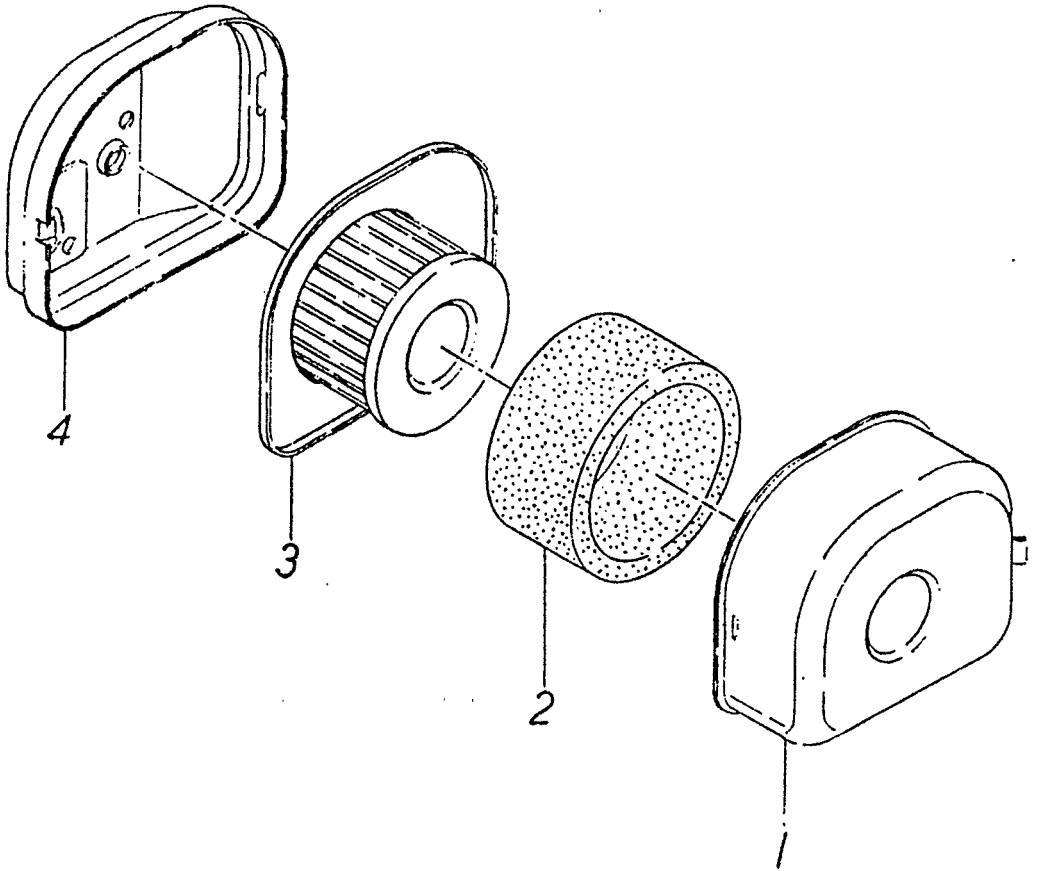
見出番号 Ref No.	部品番号 Parts No.	部品名 Parts Name	個数 Q'ty	標準小売価格 Standard Price	備考 Remarks
34	241B0510	SCREW (5x10)	1		
35	315500-2111A	VALVE, inlet	1		
36	315501-2112A	VALVE, exhaust	1		
37	314401-2113A	SPRING, valve	2		
38	314401-2116B	RETAINER	2		
39	315501-2211A	TAPPET	2		
40	315501-2311A	GEAR, cam	1		
41	315501-3111A	PISTON	1		
42	315501-3010A	PISTON RING SET	1		
43	315501-3121A	PIN, piston	1		
44	315501-3122A	RING, snap	2		
45	315504-3211A	SHAFT, crank	1		
46	315501-3240A	CONNECTING ROD ASS'Y	1		
47	315501-3245A	•BOLT, connecting rod	2		
48	315501-3248A	WASHER, lock	1		
49	315501-3249A	ARM, splasher	1		
50	315502-3430B	RECOIL STARTER ASS'Y	1		
51	187B0610	BOLT (6x10)	3		
52	315501-4110A	CRANK CASE ASS'Y	1		
53	315501-4211A	•BEARING, plain	1		
54	316470-4231-00	SEAL, oil	1		
55	551A0612	PIN, dowel	2		
56	315501-4120A	SIDE BASE	1		
57	315501-4211A	•BEARING, plain	1		
58	315501-4124A	GASKET	1		
59	186B0630	BOLT (6x30)	7		
60	316470-4231-00	SEAL, oil	1		
61	314401-5110A	GOVERNOR ASS'Y	1		
62	314401-5121A	SLEEVE, governor	1		
63	315501-5122C	TIP, governor	1		
64	314401-5135A	WASHER	1		
65	554A0600	PIN, snap	1		
66	410B0600	WASHER	1		

See Fig. R-1

見出番号 Ref No.	部品番号 Parts No.	部 品 名 Parts Name	個 数 Q'ty	標準小売/個 Standard Price	備 考 Remarks
67	315501-5210B	GOVERNOR ARM ASS'Y	1		
68	112B0625	●BOLT (6x25)	1		
69	311B0600	●NUT (6mm)	1		
70	411B0600	●WASHER	1		
71	314412-5231A	LINK, governor	1		
72	313650-5232-00	SPRING, link	1		
73	315501-5314C	SPRING, governor	1		
74	315501-5311A	LEVER, control	1		
75	314496-5312A	NUT	1		
76	214B0408	SCREW (4x8)	1		
77	315501-5335A	BRACKET	1		
78	315501-5337A	BRACKET	1		
79	315501-5338A	CLAMP	1		
80	314401-5383A	WASHER	1		
81	314401-5385A	NUT	1		
82	314401-5388A	SPRING	1		
83	314401-5321B	SPRING	2		
84	214B0420A	SCREW (4x20)	2		
85	315501-5381A	BOLT	1		
86	395300-5433-00	PIPE, adjuster	1		
87	314405-5513A	LINK, choke	1		
88	317196-5515-00	GROMMET	1		
89	315510-6100B	CARBURETOR ASS'Y	1		See Fig. C-1
90	314401-6131B	GASKET	1		
91	314412-6181A	INSULATOR	1		
92	314401-6184A	GASKET	2		
93	233B0625	SCREW (6x25)	3		
94	312B0600	NUT (6mm)	2		
95	411B0600	WASHER	2		
96	171G0625	STUD	1		
97	171G0640	STUD	1		
98	5100120639H	FUEL TANK ASS'Y	1		
99	314401-6651B	●CAP, tank	1		

見出番号 Ref No.	部品番号 Parts No.	部 品 名 Parts Name	個 数 Q'ty	標準小売/個 Standard Price	備 考 Remarks
100	314401-6643E	●●GASKET, tank cap	1		
101	314401-6644A	●●SPRING	1		
102	314401-6732A	●●SCREW	2		
103	315510-6711A	BRACKET, tank	1		
104	311B0800A	NUT (8mm)	2		
105	411B0800	WASHER	2		
106	112B0816	BOLT (8x16)	1		
107	314401-6681A	WASHER	1		
108	314401-7411A	GAUGE, oil	2		
109	670B2015	O-RING	2		
110	314401-7441B	PLUG, drain	2		
111	315501-8111A	FLYWHEEL	1		
112	315501-8103A	IGNITION COIL ASS'Y	1		
113	315501-8123A	●COIL, ignition	1		
114	314401-8436A	●CONDENCER	1		
115	315501-8440A	●BREAKER, contact	1		
116	314401-8142A	BRUSH	1		
117	314401-8129A	CLAMP	1		
118	314401-8161A	CLAMP	1		
119	315501-8172A	COVER	1		
120	315501-8414A	RING	1		
121	131B0520	BOLT (5x20)	2		
122	241B0408	SCREW (4x8)	4		
123	242B0410A	SCREW (4x10)	1		
124	314401-8164A	GROMMET	1		
125	314G1400	NUT (14mm)	1		
126	313650-2371-00	KEY	1		
127	314401-3482A	WASHER	1		
128	314401-8410A	PLUG, spark (NGK BM-6A)	1		
129	317270-8418A	CAP, plug	1		
130	317270-8419A	SPRING	1		
131	314401-8511B	SWITCH, stop	1		
132	315501-0811A	LABEL, mark	1		★★
133	315501-0817A	LABEL	1		★★

# A-1 AIR CLEANER



FA210D-246 315510A

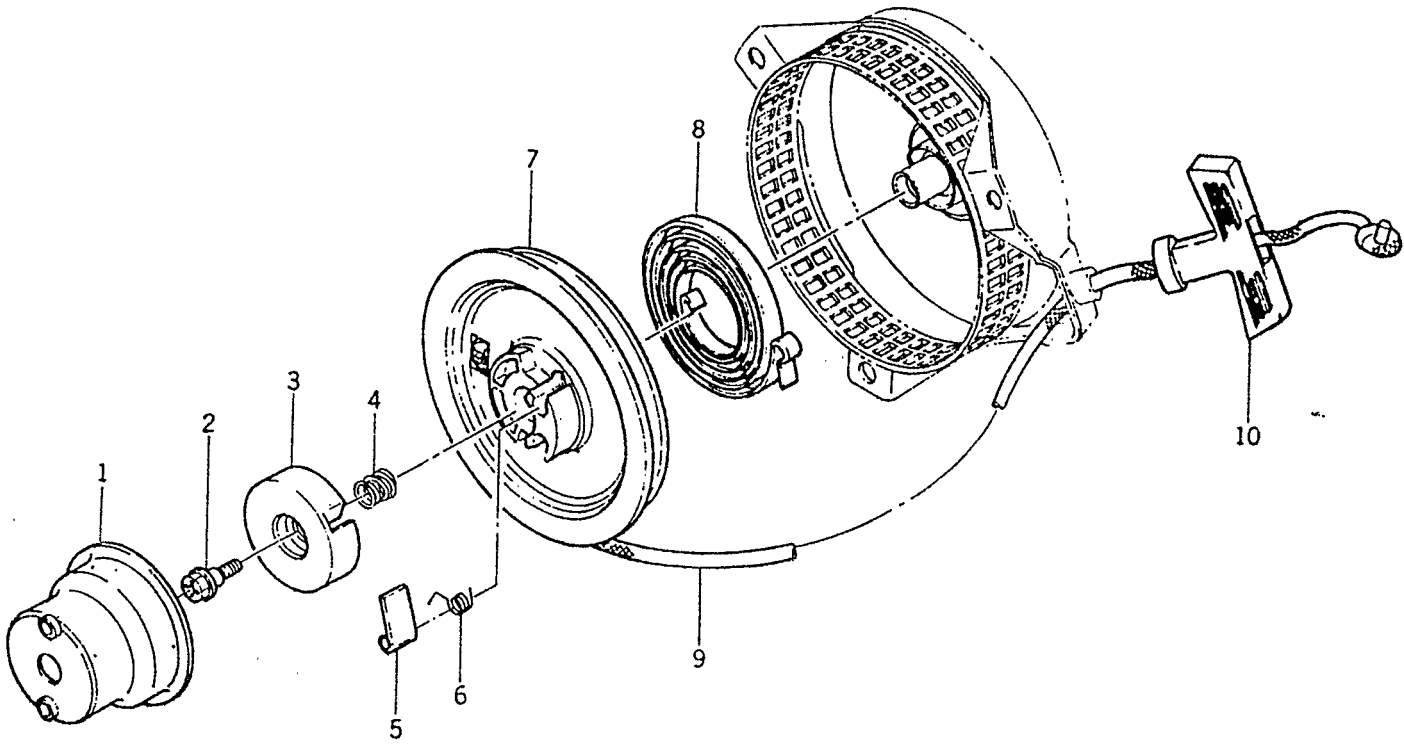
見出番号 Ref No.	部品番号 Parts No.	部品名 Parts Name	個数 Q'ty	標準小売/個 Standard Price	備考 Remarks
	315510-1310A	AIR CLEANER ASS'Y	1		
A-1-1	315510-1316A	●COVER, air cleaner	1		
A-1-2	315510-1313A	●ELEMENT	1		
A-1-3	315510-1312A	●ELEMENT	1		
A-1-4	315510-1311A	●PLATE, air cleaner	1		





見出番号 Ref No.	部品番号 Parts No.	部 品 名 Parts Name	個数 Q'ty	標準小売個 Standard Price	備 考 Remarks
	315510-6100A	CARBURETOR ASS'Y	1		
C-1- 1	314401-6114A	●SCREW, slow stop	1		
C-1- 2	314401-6116A	●SPRING	1		
C-1- 3	314401-6160B	●DIAPHRAGM	1		
C-1- 4	314401-6171B	●GASKET	1		
C-1- 5	314401-6164A	●SPRING	1		
C-1- 6	314401-6167A	●CAP, spring	1		
C-1- 7	314401-6143A	●SCREW	2		
C-1- 8	315504-6115A	●SCREW, adjust	1		
C-1- 9	311509-6117-00	●SPRING	1		
C-1-10	312801-6168A	●STRAINER	1		
C-1-11	314401-6139A	●SHAFT, throttle	1		
C-1-12	314401-6142A	●SHAFT, choke	1		
C-1-13	315501-6102A	●VALVE, choke	1		
C-1-14	314401-6144A	●COLLAR	1		
C-1-15	315510-6132A	●JET, main (#96)	1		

# R-1 RECOIL STARTER



FA210D-246 315510A

見出番号 Ref No.	部品番号 Parts No.	部 品 名 Parts Name	個 数 Q'ty.	標準小売個 Standard Price	備 考 Remarks
	315502-3430B	RECOIL STARTER ASS'Y	1		
R-1- 1	315501-3432A	●PULLEY	1		
R-1- 2	314501-3447A	●SCREW	1		
R-1- 3	315501-3449A	●RETAINER	1		
R-1- 4	314401-3446A	●SPRING	1		
R-1- 5	314401-3445A	●PAWL, recoil	1		
R-1- 6	314401-3444A	●SPRING, return	1		
R-1- 7	315501-3441A	●REEL, recoil	1		
R-1- 8	315501-3452A	●SPRING, recoil	1		
R-1- 9	315501-3453A	●ROPE (4.5x1520)	1		
R-1-10	314401-3460A	●HANDLE, recoil starter	1		