

# Parts Catalog

MODEL

FA210A-246X

FA210A-246X

PRODUCT CODE

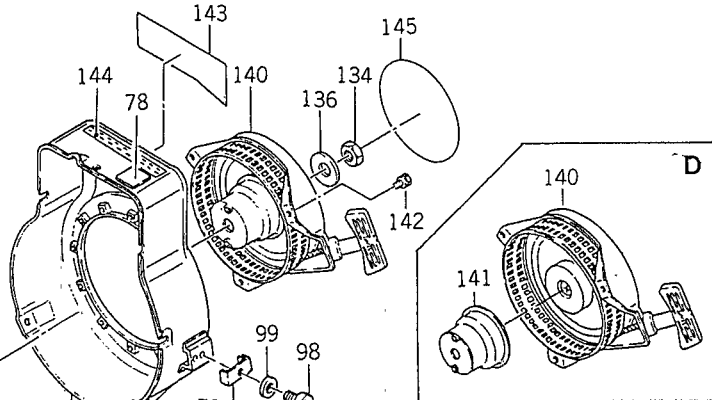
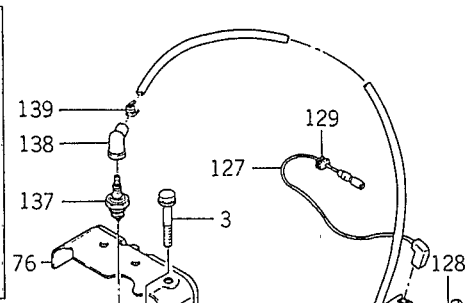
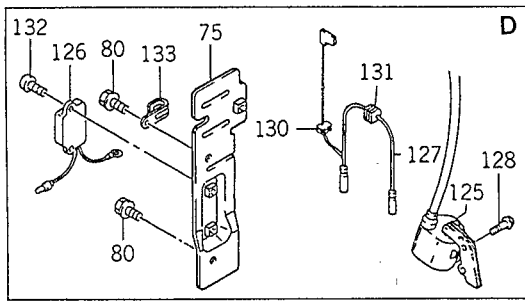
315529B, C

FA210A-CS51, DS51



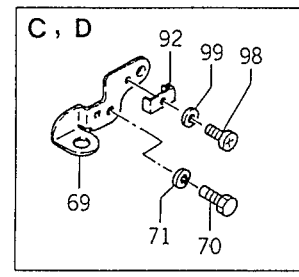
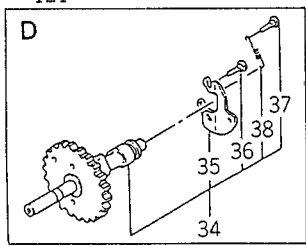
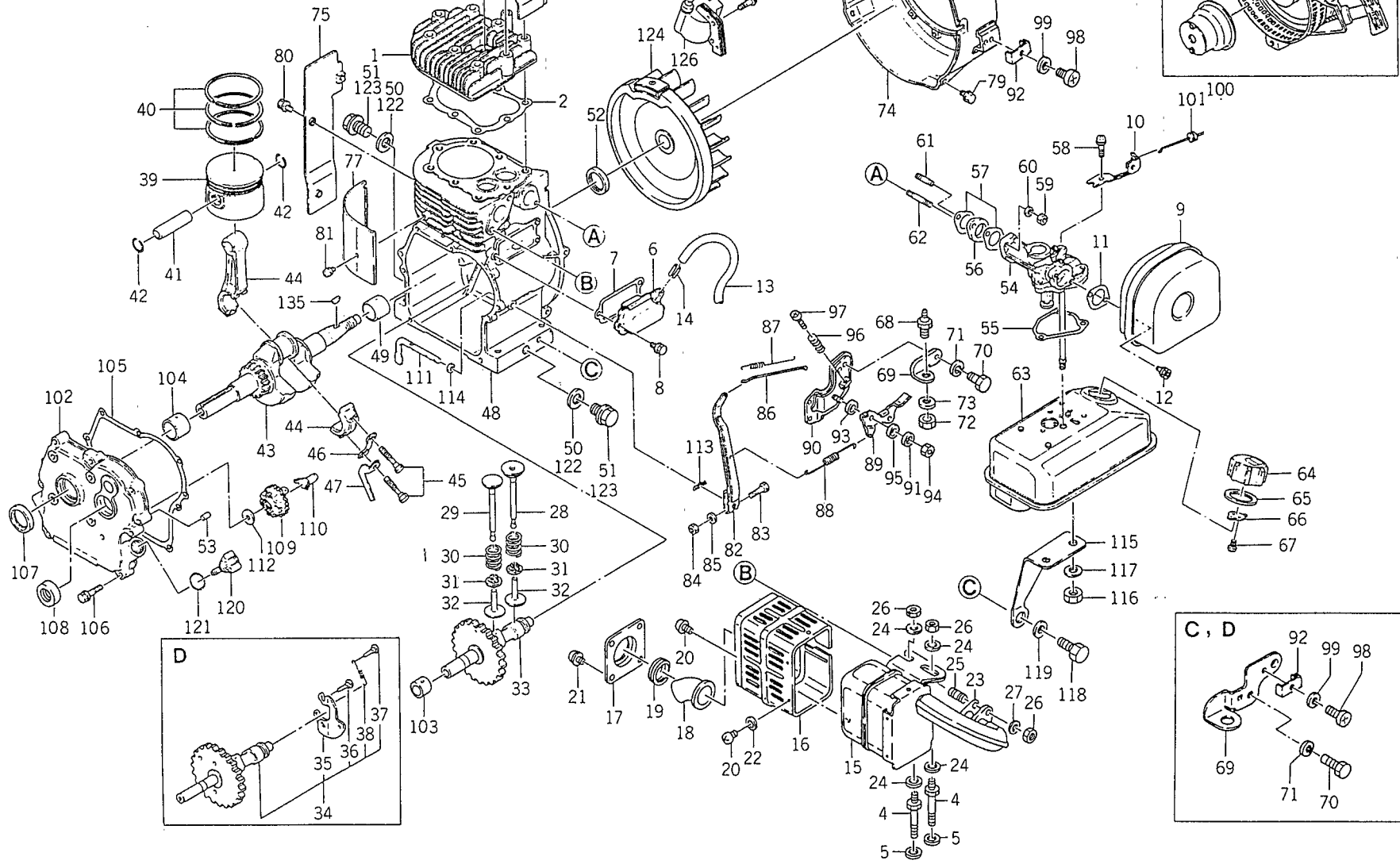
© KAWASAKI HEAVY INDUSTRIES, LTD.  
ENGINE DIVISION

860212 Printed in Japan



PAKINGSSAET  
55009010A

FA210A-246X 315529B,C  
FA210A-246X FA210A-CS51, DS51



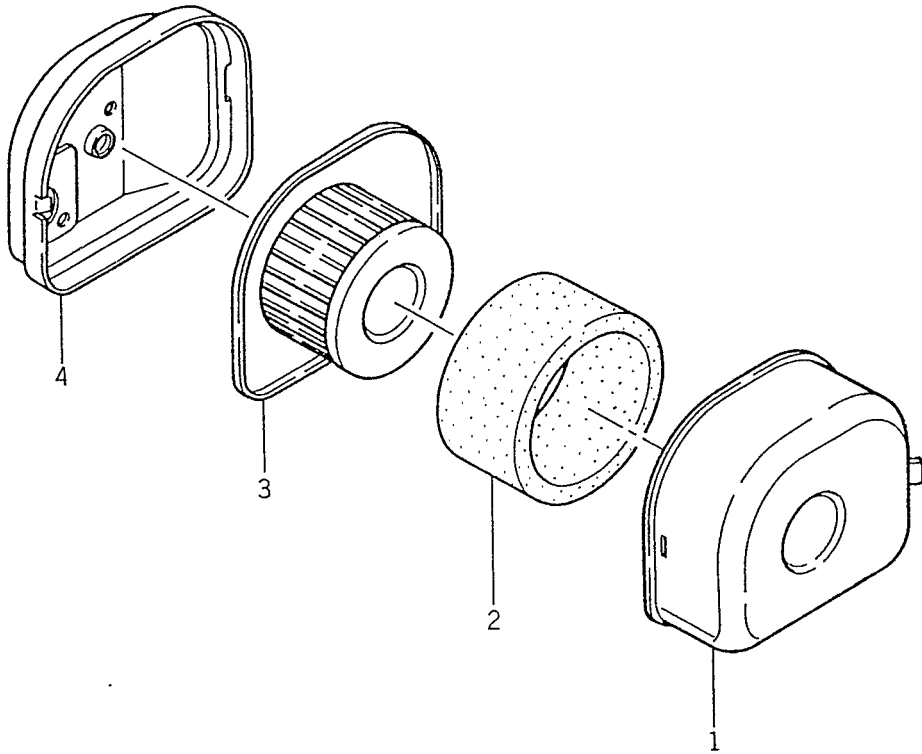
Ref.No.	Part No.	Part Name	Quantity						Remarks
			B	C	D				
1	315501-1111A	HEAD, cylinder	1	1	1				
2	315501-1121A	GASKET, head	1	1	1				
3	181G0855	BOLT (8x55)	2	6	6				
4	315504-1181A	BOLT	6	2	2				
5	410B 0800	WASHER	6	2	2				
6	315501-1231B	COVER, inspection	1	1					
	49108-2073	COVER, valve chamber			1				
7	315501-1232A	GASKET	1	1	1				
8	186B 0612	BOLT (6x12)	3	3	3				
9	315510-1310B	AIR CLEANER ASSY	1	1	1				Fig. A-1
10	315501-1351A	STAY, air cleaner	1	1	1				
11	314401-1332A	GASKET	1	1	1				
12	314413-1316A	BOLT	3	3	3				
13	702A071000	TUBE, rubber	1	1	1				ℓ=155mm
14	314401-1341A	PIPE	1	1	1				
15	315504-1400A	MUFFLER ASSY	1	1	1				
16	315510-1431A	•COVER, muffler	1	1	1				
17	314406-1447A	•PLATE	1	1	1				
18	314406-1449A	•PIPE, tail	1	1	1				
19	314406-1455A	•SPRING	1	1	1				
20	314405-3091B	•SCREW	9	9	9				
21	235B 0508	•SCREW (5x8)	4	4	4				
22	410B0400	•WASHER	5	5	5				
23	315501-1442A	GASKET	1	1	1				
24	314401-6681A	WASHER	4	4	4				
25	171G0816	STUD	2	2	2				
26	311B0800A	NUT (8mm)	4	4	4				
27	410B 0800	WASHER	2	2	2				
28	315500-2111A	VALVE, inlet	1	1	1				
29	315501-2112A	VALVE, exhaust	1	1	1				
30	314401-2113A	SPRING, valve	2	2	2				
31	314401-2116B	SEAT, spring	2	2	2				
32	315501-2211A	TAPPET	2	2	2				
33	315513-2311B	GEAR, cam	1	1					
34	49118-2056	CAM SHAFT COMP			1				
35	21118-2058	•DECOMPRESSOR			1				
36	92043-2108	•PIN			2				
37	92043-2123	•PIN			1				
38	92081-2342	•SPRING			1				
39	315501-3111A	PISTON	1	1	1				S.T.D
	315500-3131A	PISTON	AR	AR	AR				O/S 0.25mm
	315500-3132A	PISTON	AR	AR	AR				O/S 0.50mm

Ref.No.	Part No.	Part Name	Quantity					Remarks
			B	C	D			
40	315501-3010A	PISTON RING SET	1	1	1			S.T.D
	315500-3020A	PISTON RING SET	AR	AR	AR			O/S 0.25mm
	315500-3030A	PISTON RING SET	AR	AR	AR			O/S 0.50mm
41	315501-3121A	PIN, piston	1	1	1			
42	315501-3122A	RING, snap	2	2	2			
43	315504-3211A	SHAFT, crank	1	1				
	315513-3211A	SHAFT, crank			1			
44	315501-3240A	CONNECTING ROD ASSY	1	1	1			
45	315501-3245A	•BOLT, connecting rod	2	2	2			
46	315501-3248A	WASHER	1	1	1			
47	315501-3249A	ARM, splasher	1	1	1			
48	315504-4110B	CRANK CASE ASSY	1	1				
	49120-6003	CRANK CASE ASSY			1			
49	315501-4211A	•BEARING, plain	1	1	1			
50	11009-2432	•GASKET	2	2				
51	130B1014	•BOLT (10x14)	2	2				
52	316470-4231-00	SEAL, oil	1	1				
	315801-4231A	SEAL, oil			1			
53	551A0612	PIN, dowel	2	2	2			
54	315510-6100C	CARBURETOR ASSY	1	1	1			Fig. C-1
55	314401-6131B	GASKET	1	1	1			
56	314412-6181A	INSULATOR	1	1	1			
57	314401-6184A	GASKET	2	2	2			
58	233B0625	SCREW (6x25)	3	3	3			
59	311B0600	NUT (6mm)	2	2	2			
60	410B0600	WASHER	2	2	2			
61	171G0625	STUD	1	1	1			
62	171G0640	STUD	1	1	1			
63	51002-6050-YY	FUEL TANK ASSY	1	1	1			
64	315515-6640A	•CAP, tank	1	1	1			
65	314401-6643E	••GASKET	1	1	1			
66	314401-6644A	••SPRING	1	1	1			
67	314401-6732A	••SCREW	2	2	2			
68	315515-8511A	SWITCH, stop	1	1	1			
69	315515-8514A	BRACKET, stop switch	1					
	315515-8514B	BRACKET, stop switch		1	1			
70	112B0508	BOLT (5x8)	1	1	1			
71	461F0500A	WASHER, spring	1	1	1			
72	315B1000	NUT (10mm)	1	1	1			
73	410B1000	WASHER	1	1	1			
74	315529-1611A	CASE, spiral	1					
	315513-1611A	CASE, spiral		1	1			

Ref.No.	Part No.	Part Name	Quantity					Remarks
			B	C	D			
75	315513-1612A	COVER, cylinder	1	1				
	59066-2288-YY	HOUSING, fan			1			
76	315513-1631A	COVER, cylinder head	1	1	1			
77	315501-1632A	COVER, cylinder	1	1	1			
78	314496-1627A	PLATE	1	1	1			
79	186B0610	BOLT (6x10)	5	5	5			
80	186B0612	BOLT (6x12)	2	2	2			
81	241B0510	SCREW (5x10)	1	1	1			
82	315501-5210B	GOVERNOR ARM ASSY	1	1	1			
83	110B0625	•BOLT (6x25)	1	1	1			
84	311B0600	•NUT (6mm)	1	1	1			
85	411B0600	•WASHER	1	1	1			
86	314412-5231A	LINK, governor	1	1	1			
87	313650-5232-00	SPRING, link	1	1	1			
88	315501-5314D	SPRING, governor	1	1	1			
89	315515-5311A	LEVER, control	1	1	1			
90	315515-5335A	BRACKET	1	1	1			
91	311702-3591-00	WASHER	1	1	1			
92	92037-2020	CLAMP	1	1	1			
93	314401-5383A	WASHER	1	1	1			
94	314401-5385A	NUT	1	1	1			
95	314401-5388A	SPRING	1	1	1			
96	314401-5321B	SPRING	2	2	2			
97	214B0420A	SCREW (4x20)	2	2	1			
98	315501-5381A	BOLT	1	1	1			
99	411B0500	WASHER	1	1	1			
100	315529-5513A	LINK, choke	1	1	1			
101	317196-5515-00	GROMMET	1	1	1			
102	315513-4120A	SIDE BASE	1	1	1			
103	315513-4211A	•BEARING, plain	1	1	1			
104	315501-4211A	•BEARING, plain	1	1	1			
105	315501-4124A	GASKET	1	1	1			
106	186B0630	BOLT (6x30)	7	7	7			
107	315801-4231A	SEAL, oil	1	1	1			
108	315513-4231A	SEAL, oil	1	1	1			
109	314401-5110A	GOVERNOR ASSY	1	1	1			
110	314401-5121A	SLEEVE, governor	1	1	1			
111	315501-5122C	TIP, governor	1	1	1			
112	314401-5135A	WASHER	1	1	1			
113	554A0600	PIN, snap	1	1	1			
114	410B0600	WASHER	1	1	1			
115	315513-6711B	BRACKET, tank	1	1	1			

Ref.No.	Part No.	Part Name	Quantity					Remarks
			B	C	D			
116	311B0800A	NUT (8mm)	2	2	2			
117	411B0800	WASHER	2	2	2			
118	112B0816	BOLT (8x16)	1	1	1			
119	314401-6681A	WASHER	1	1	1			
120	16115-2069	CAP, oil filler	2	2	2			
121	670B2015	O-RING	2	2	2			
122	11009-2432	GASKET			2			
123	130B1014	BOLT (10x14)			2			
124	315504-8111A	FLYWHEEL	1	1				
	21194-2114	FLYWHEEL COMP			1			
125	21171-2112	COIL, ignition			1			
126	315504-8465B	IGNITER	1	1				
	3144AA-8465A	IGNITER <i>Ti-05 6.2 2.1</i>			1			
127	315529-8812A	WIRE, lead	1	1				
	26011-2080	WIRE, lead			1			
128	131B0520	BOLT (5x20)	2	2	2			
129	314401-8164A	GROMMET	1	1	1			
130	314401-8164B	GROMMET			1			
131	92071-2113	GROMMET			1			
132	234B0514A	SCREW (5x14)			1			
133	92037-2171	CLAMP			1			
134	314G1400	NUT (14mm)	1	1	1			
135	313650-2371-00	KEY	1	1	1			
136	314401-3482A	WASHER	1	1	1			
137	314401-8410A	PLUG, spark (NGK BM6A)	1	1	1			
138	317270-8418B	CAP, plug	1	1	1			
139	317270-8419A	SPRING	1	1	1			
140	315502-3430C	RECOIL STARTER ASSY	1	1				Fig. R-1
	49088-2284-YK	RECOIL STARTER ASSY			1			Fig. R-1
141	315501-3432A	PULLEY			1			
142	187B0610	BOLT (6x10)	3	3	3			
143	315529-0811A	LABEL, mark	1	1	1			★★
144	315514-0817A	LABEL	1	1				★★
145	56030-2179	LABEL			1			★★

Fig. A-1 AIR CLEANER



Ref.No.	Part No.	Part Name	Quantity						Remarks
			B	C	D				
	315510-1310B	AIR CLEANER ASSY	1	1	1				
A-1- 1	315510-1316B	•COVER, air cleaner	1	1	1				
A-1- 2	315510-1313A	•ELEMENT	1	1	1				
A-1- 3	315510-1312A	•ELEMENT	1	1	1				
A-1- 4	315510-1311B	•PLATE, air cleaner	1	1	1				

Fig. C-1 CARBURETOR

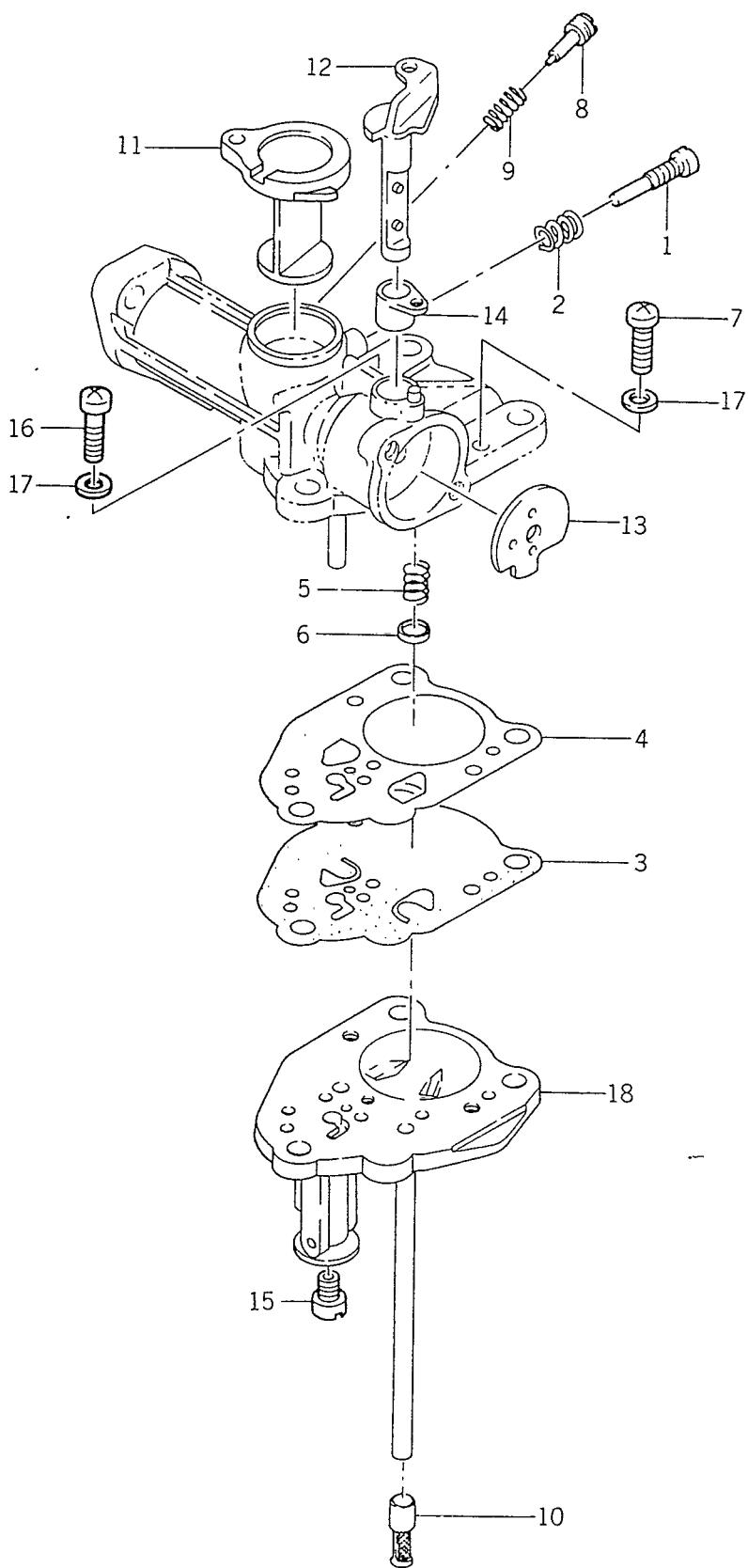
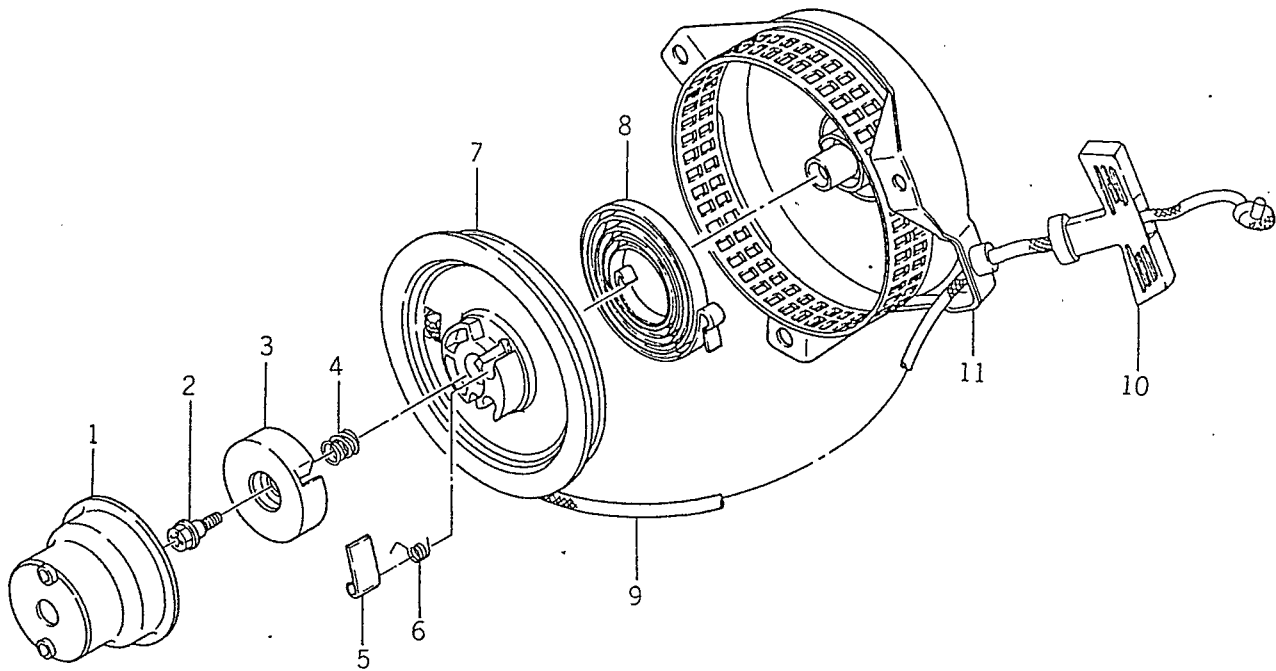




Fig. C-1 CARBURETOR

Ref.No.	Part No.	Part Name	Quantity					Remarks
			B	C	D			
	315510-6100C	CARBURETOR ASSY	1	1	1			
C-1- 1	314401-6114A	•SCREW, slow stop	1	1	1			
C-1- 2	314401-6116A	•SPRING	1	1	1			
C-1- 3	315501-6160A	•DIAPHRAGM	1	1	1			
C-1- 4	315501-6171A	•GASKET	1	1	1			
C-1- 5	314401-6164A	•SPRING	1	1	1			
C-1- 6	314401-6167A	•CAP, spring	1	1	1			
C-1- 7	214B0414	•SCREW (4x14)	2	2	2			
C-1- 8	315504-6115A	•SCREW, adjust	1	1	1			
C-1- 9	311509-6117-00	•SPRING	1	1	1			
C-1-10	312801-6168A	•STRAINER	1	1	1			
C-1-11	315501-6139B	•SHAFT, throttle	1	1	1			
C-1-12	314401-6142A	•SHAFT, choke	1	1	1			
C-1-13	315501-6102A	•VALVE, choke	1	1	1			
C-1-14	314401-6144A	•COLLAR	1	1	1			
C-1-15	3155AB-6063A	•JET, main (#86)	1	1	1			
C-1-16	214B0428	•SCREW (4x28)	1	1	1			
C-1-17	314419-6174A	•GASKET	3	3	3			
C-1-18	314424-6170B	•LOWER BODY ASSY	1	1	1			

Fig. R-1 RECOIL STARTER



Ref.No.	Part No.	Part Name	Quantity				Remarks
			B	C	D		
	315502-3430C	RECOIL STARTER ASSY	1	1			
	49088-2284-YK	RECOIL STARTER ASSY			1		
R-1- 1	315501-3432A	•PULLEY	1	1			
R-1- 2	314501-3447A	•BOLT	1	1	1		
R-1- 3	315501-3449A	•RETAINER	1	1			
	314401-3449A	•RETAINER			1		
R-1- 4	314401-3446A	•SPRING	1	1	1		
R-1- 5	314401-3445A	•PAWL, recoil	1	1	1		
R-1- 6	314401-3444A	•SPRING, return	1	1	1		
R-1- 7	315501-3441B	•REEL, recoil	1	1			
	315501-3441A	•REEL, recoil			1		
R-1- 8	3145V1-3452A	•SPRING, recoil	1	1			
	315501-3452A	•SPRING, recoil			1		
R-1- 9	315501-3453A	•ROPE (4.5x1520)	1	1	1		
R-1-10	314401-3460A	•HANDLE, recoil starter	1	1	1		
R-1-11	315502-3437A	•CASE, recoil	1	1	1		