

This catalog covers:

FA130D —  S54

GRID NO.

A-1

This grid covers:

# PARTS CATALOG

## 4-STROKE AIR-COOLED ENGINE

# FA130D

PRODUCT CODE	NOTE
FA130D—FS54	

This catalog covers:

FA130D-  S54

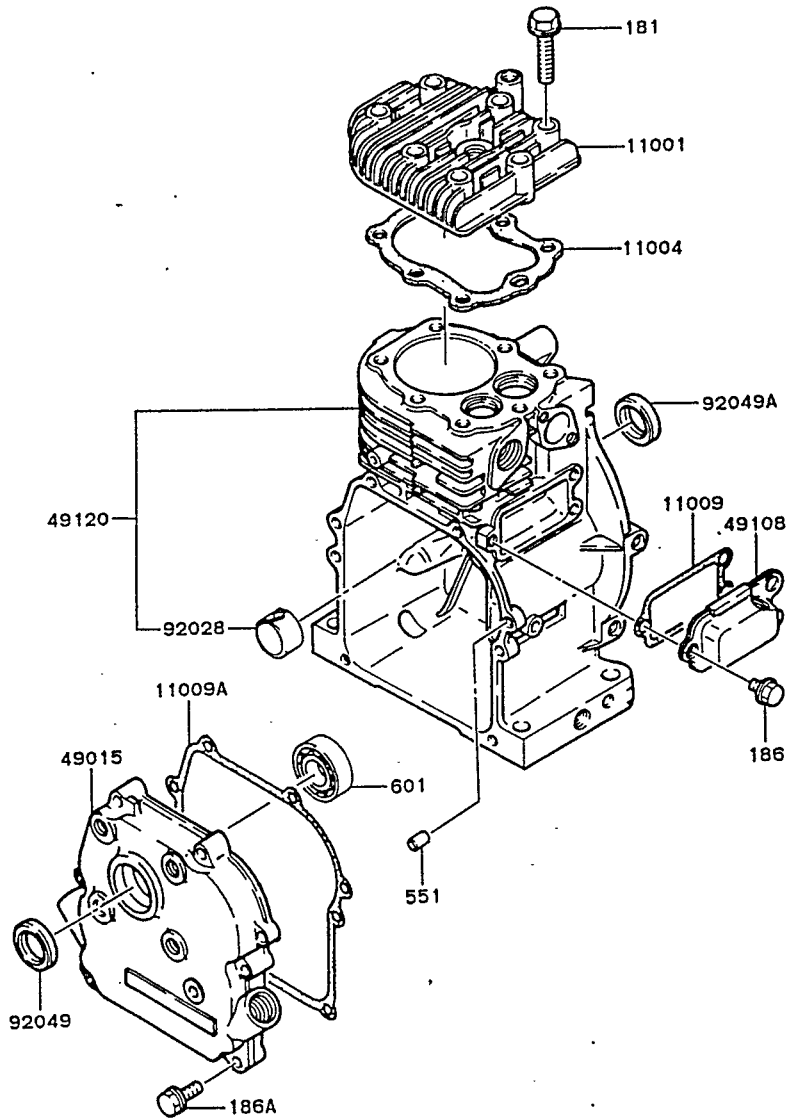
**B-03**

This grid covers:

**CYLINDER/CRANKCASE**

E0110-2010B

Ref. No.	Parts No.	Description	Quantity
11001	314401-1111A	HEAD-CYLINDER	1
11004	314401-1121C	GASKET-HEAD	1
11009	314401-1232A	GASKET	1
11009A	314401-4124A	GASKET	1
49015	49015-6014	COVER-CRANKCASE	1
49108	49108-2085	COVER-VALVE CHAMBER	1
49120	49120-6005	CRANKCASE-COMP	1
92028	314401-4211A	BUSHING	1
92049	92049-2098	SEAL-OIL	1
92049A	92049-2198	SEAL-OIL	1
181	181G0850	BOLT-UPSET-WP	7
186	186B0612	BOLT-UPSET-WP	3
186A	186B0630	BOLT-UPSET-WP	6
551	551A0612	PIN-DOWEL	2
601	601A6204	BEARING-BALL	1



This catalog covers:

FA130D-  S54

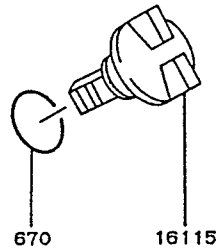
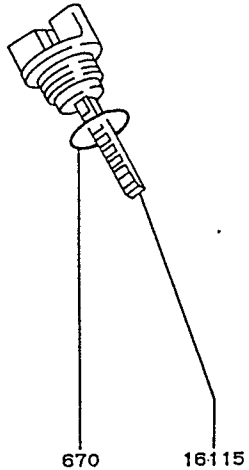
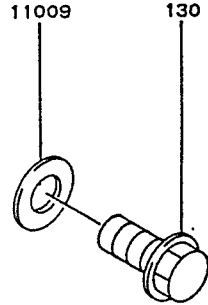
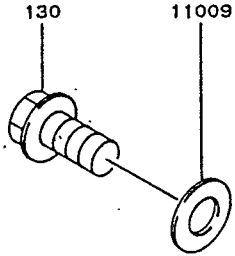
**B-06**

This grid covers:

LUBRICATION-EQUIPMENT

E0140-2009A

Ref. No.	Parts No.	Description	Quantity
11009	11009-2432	GASKET	2
16115	16115-2069	CAP-OIL FILLER	2
130	130D1014	BOLT-FLANGED	2
670	670B2015	RING-O	2



This catalog covers:

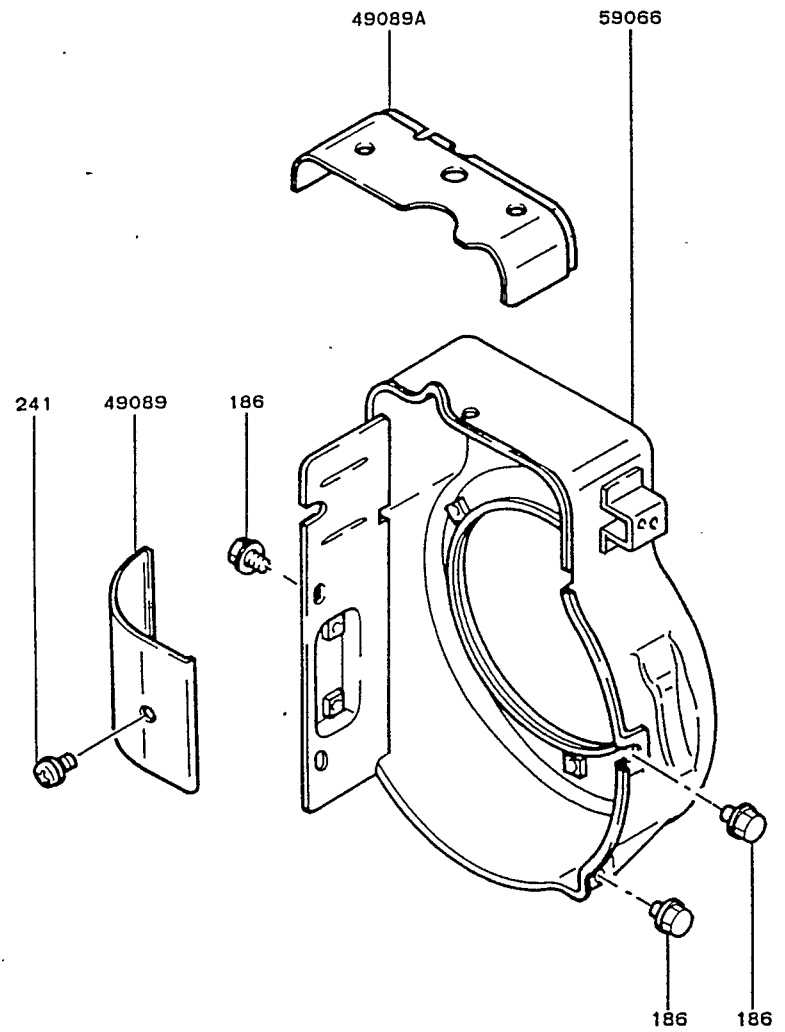
FA130D- S54

**B-07**

This grid covers:  
COOLING-EQUIPMENT

E0150-2010A

Ref. No.	Parts No.	Description	Quantity
49089	314401-1632A	SHROUD-ENGINE	1
49089A	49089-2051-9H	SHROUD-ENGINE	1
59066	59066-2317-9H	HOUSING-FAN	1
186	186B0610	BOLT-UPSET-WP	5
241	241B0510	SCREW-PAN-WP+-	1



This catalog covers:

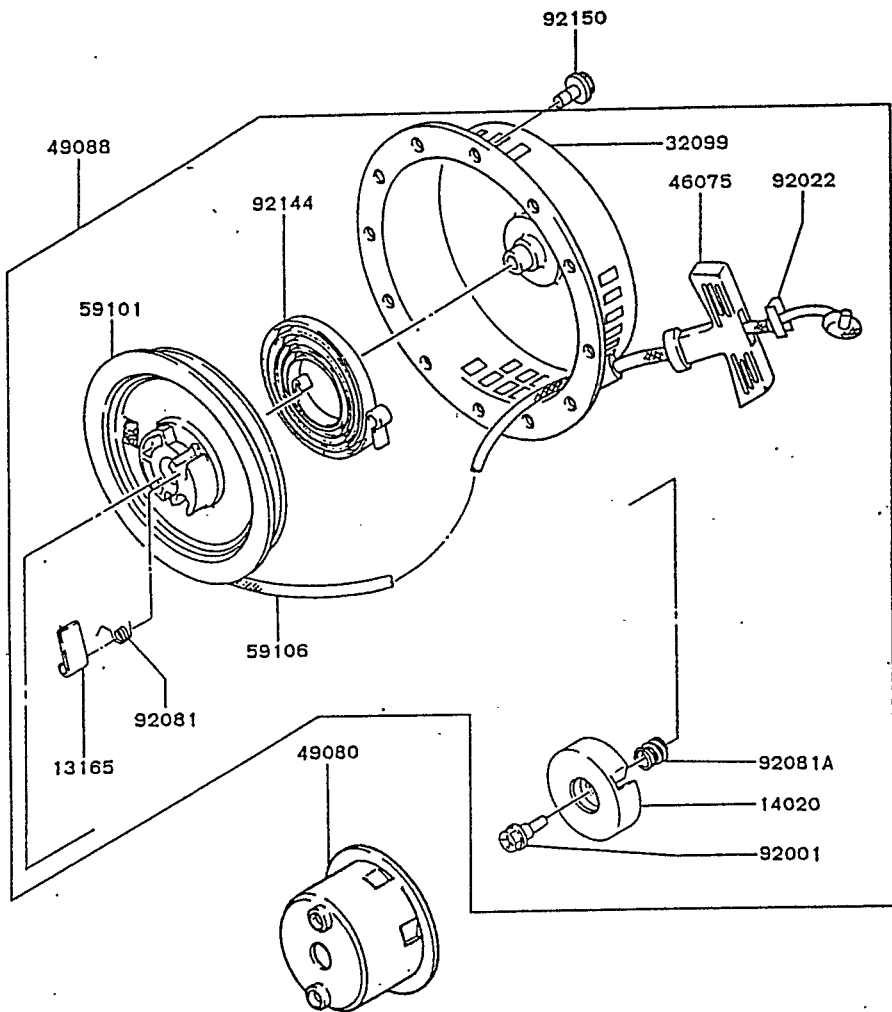
FA130D-  S54

**B-13**

This grid covers:

**STARTER**

E0210-2175B



Ref. No.	Parts No.	Description	Quantity
13165	314401-3445A	PAWL	1
14020	314401-3449A	RETAINER	1
32099	32099-2151-YK	CASE, RECOIL STARTER	1
46075	46075-2059	GRIP, RECOIL STARTER	1
49080	49080-2141	PULLEY-STARTING	1
49088	49088-2321-YK	STARTER-RECOIL	1
59101	59101-2077	REEL, RECOIL STARTER	1
59106	59106-2098	ROPE, 4X1350	1
92001	314501-3447A	BOLT	1
92022	92022-2248	WASHER	1
92081	314401-3444A	SPRING	1
92081A	314401-3446A	SPRING	1
92144	92144-2055	SPRING, RECOIL	1
92150	92150-2211	BOLT, 6X8	3

This catalog covers:

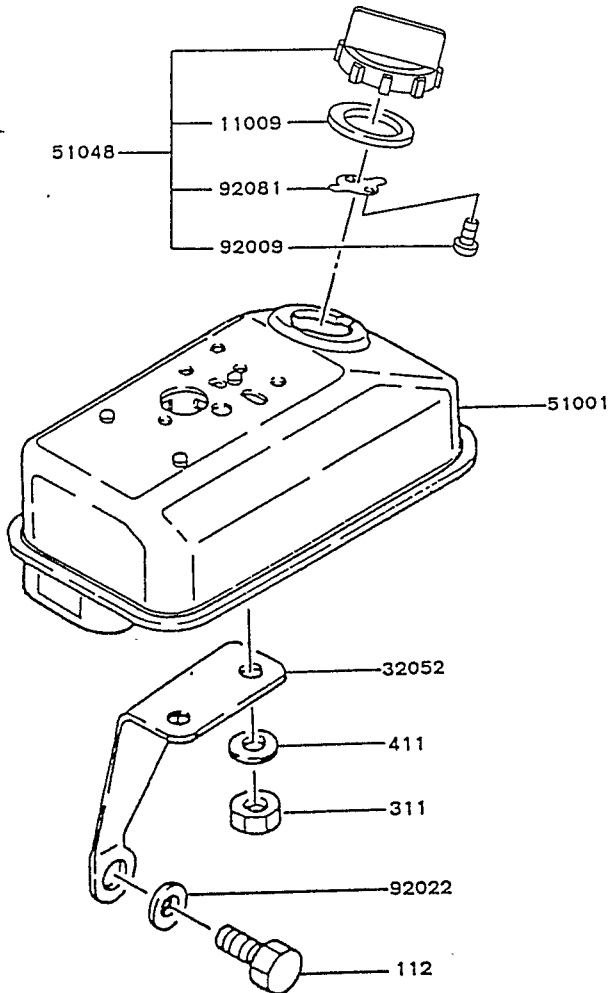
FA130D-  S54

**B-12**

This grid covers:

**FUEL-TANK/FUEL-VALVE**

E0200-2419A



Ref. No.	Parts No.	Description	Quantity
11009	314401-6643F	GASKET	1
32052	32052-2072-9H	BRACKET-TANK	1
51001	51001-2063-9H	TANK-COMP-FUEL	1
51048	51048-2062	CAP-ASSY-TANK	1
92009	314401-6732A	SCREW	2
92022	314401-6681A	WASHER	1
92081	314401-6644A	SPRING	1
112	112B0816	BOLT-UPSET	1
311	311B0800	NUT-HEX	2
411	411B0800	WASHER-PLAIN	2

This catalog covers:

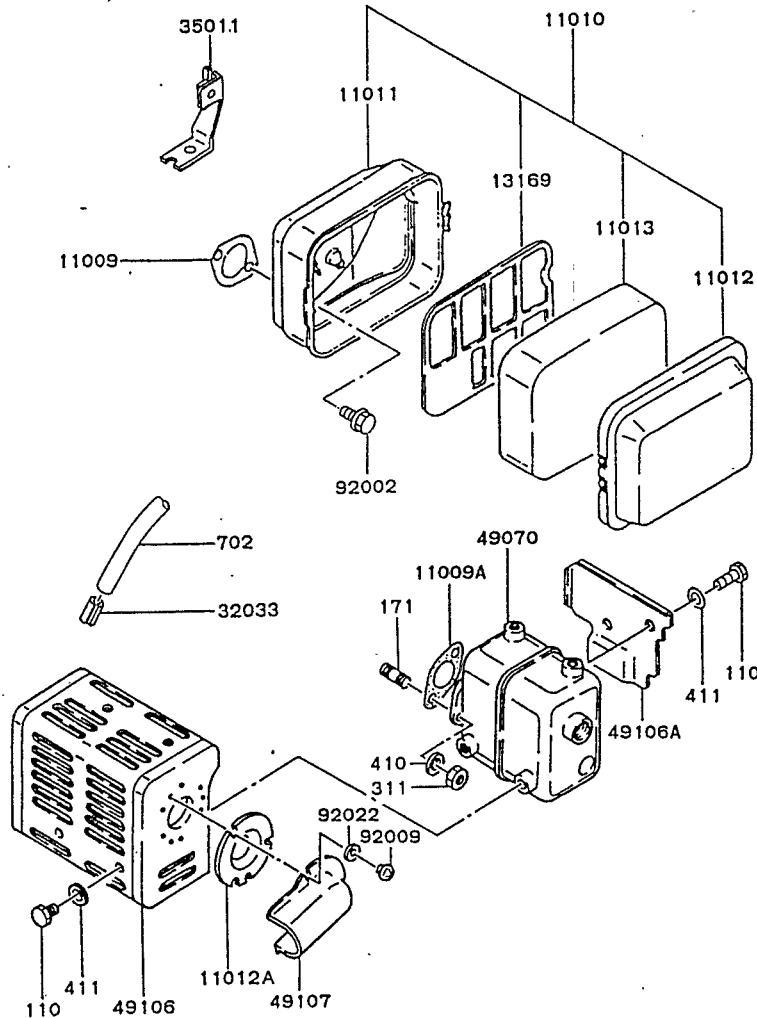
FA130D-  S54

**B-11**

This grid covers:

**AIR-FILTER/MUFFLER**

E0190-2483A



Ref. No.	Parts No.	Description	Quantity
11009	314401-1332A	GASKET	1
11009A	314496-1442B	GASKET	1
11010	315501-1310A	FILTER-ASSY-AIR	1
11011	315501-1311C	CASE-AIR FILTER	1
11012	11012-2102	CAP,AIR FILTER	1
11012A	11012-2107-9Z	CAP	1
11013	315501-1312A	ELEMENT-AIR FILTER	1
13169	315501-1313A	PLATE	1
32033	314401-1341A	PIPE	1
35011	314404-1351A	STAY	1
49070	49070-2066-9Z	MUFFLER-COMP	1
49106	49106-2323-YM	COVER-MUFFLER	1
49106A	49106-2442-YM	COVER-MUFFLER	1
49107	49107-2054-9Z	COVER-EXHAUST PIPE	1
92002	314413-1316A	BOLT	3
92009	92009-2155	SCREW	3
92022	311501-1683-00	WASHER	3
110	110R0608	BOLT	6
171	171G0616	BOLT-STUD	2
311	311B0600	NUT-HEX	2
410	410B0600	W-PLAIN-S	2
411	411B0600	WASHER-PLAIN	6
702	702A071000	TUBE-RUBBER, L=165MM	1

This catalog covers:

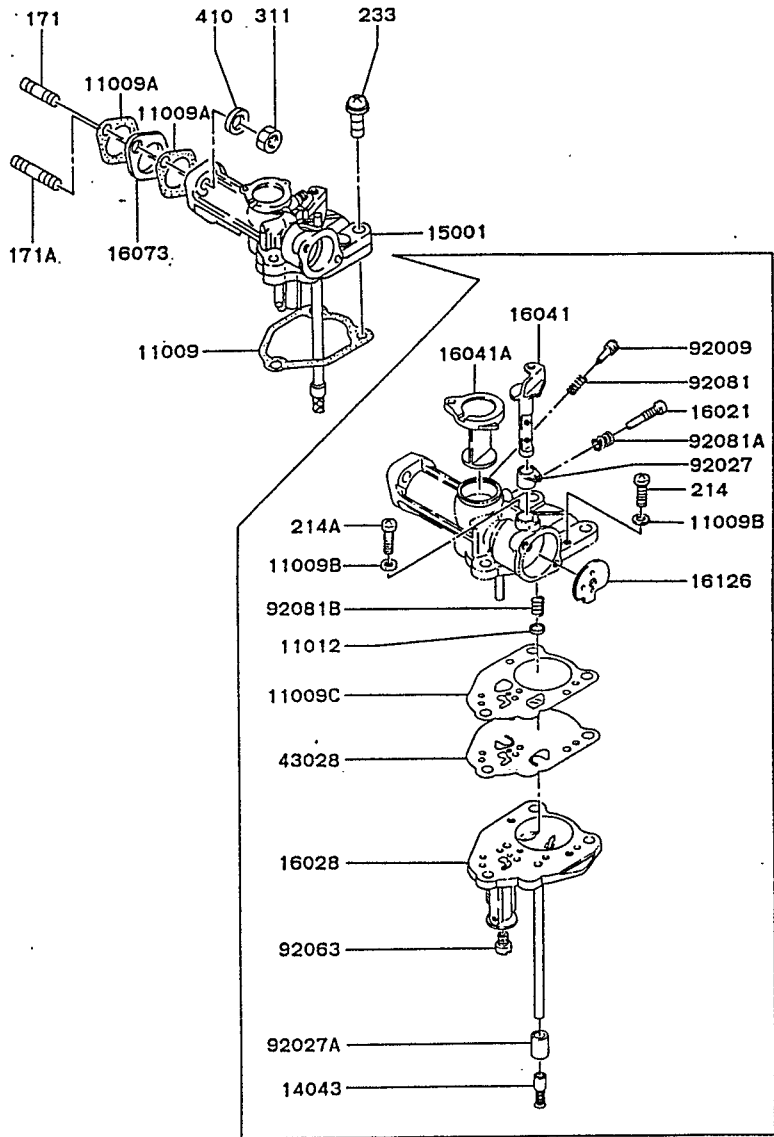
FA130D-  S54

**B-10**

This grid covers:

**CARBURETOR**

E0180-2010A



Ref. No.	Parts No.	Description	Quantity
11009	314401-6131B	GASKET	1
11009A	314401-6184A	GASKET	2
11009B	314419-6174A	GASKET	3
11009C	315501-6171A	GASKET	1
11012	314401-6167A	CAP	1
14043	312801-6168A	FILTER	1
15001	15001-2545	CARBURETOR-ASSY	1
16021	314401-6114A	SCREW-THROTTLE STOP	1
16028	16028-2057	CHAMBER-MIXING	1
16041	314401-6142A	SHAFT-CARBURETOR	1
16041A	315501-6139B	SHAFT-CARBURETOR	1
16073	16073-2056	INSULATOR	1
16126	314401-6102A	VALVE	1
43028	315501-6160A	DIAPHRAGM	1
92009	314401-6115A	SCREW	1
92027	314401-6144A	COLLAR	1
92027A	315507-6144A	COLLAR	1
92063	314401-6132A	JET-MAIN, #72	1
92081	311509-6117-00	SPRING	1
92081A	314401-6116A	SPRING	1
92081B	314401-6164A	SPRING	1
171	171G0625	BOLT-STUD	1
171A	171G0640	BOLT-STUD	1
214	214B0414	SCREW-PAN+-	2
214A	214B0428	SCREW-PAN+-	1
233	233B0625	SCREW-PAN-WP+-	3
311	311B0600	NUT-HEX	2
410	410B0600	W-PLAIN-S	2



This catalog covers:

FA130D-  S54

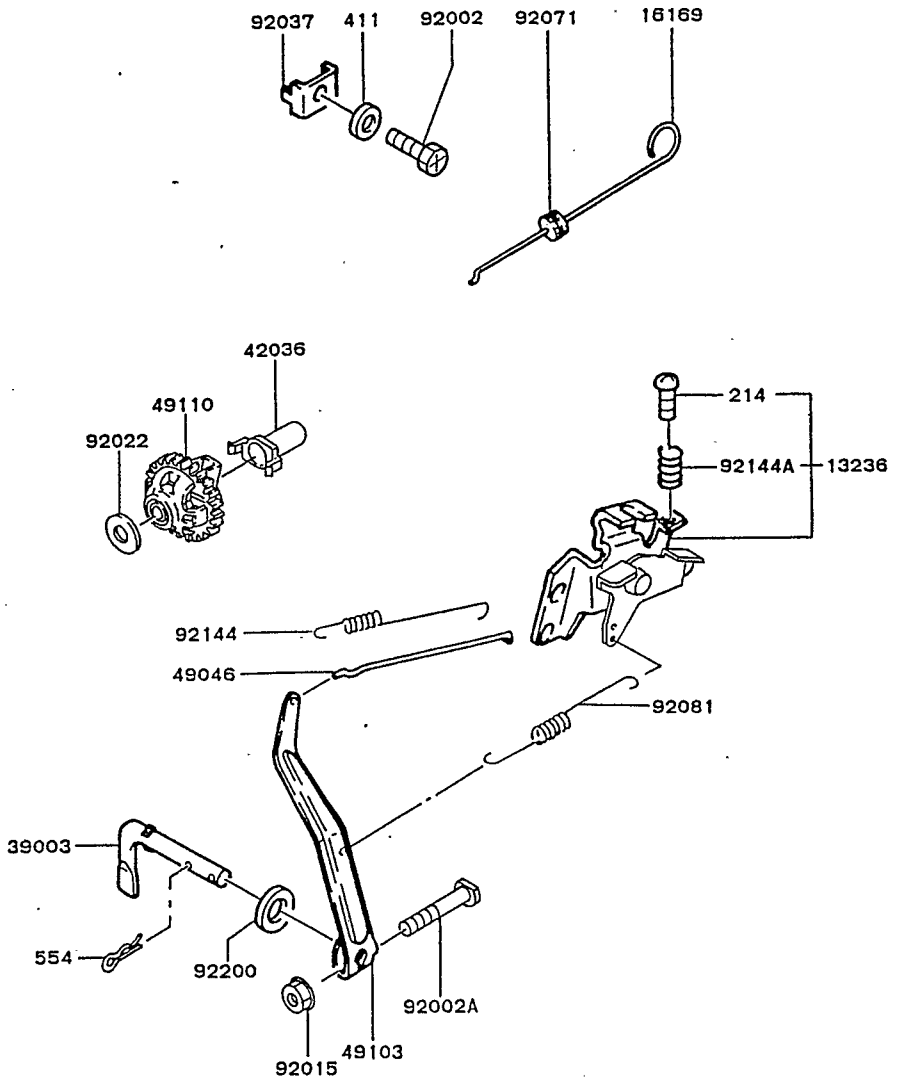
**B-09**

This grid covers:

**CONTROL-EQUIPMENT**

E0170-2442A

Ref. No.	Parts No.	Description	Quantity
13236	314434-5310A	LEVER-COMP	1
16169	16169-2099	LINK-CHOKE	1
39003	39003-2068	ARM-PIVOT	1
42036	314401-5121B	SLEEVE	1
49046	314412-5231A	ROD-GOVERNOR	1
49103	314401-5211D	ARM-GOVERNOR	1
49110	314401-5110A	GOVERNOR-ASSY	1
92002	315501-5381A	BOLT	1
92002A	92002-2269	BOLT	1
92015	92015-1193	NUT	1
92022	314401-5135A	WASHER	1
92037	92037-2020	CLAMP	1
92071	317196-5515-00	GROMMET	1
92081	92081-2102	SPRING	1
92144	92144-2244	SPRING	1
92144A	92144-2266	SPRING	1
92200	92200-2029	WASHER, 6.5X11.5X2.0	1
214	214B0420	SCREW-PAN+-	1
411	411B0500	WASHER-PLAIN	1
554	554A0600	PIN-SNAP	1



This catalog covers:

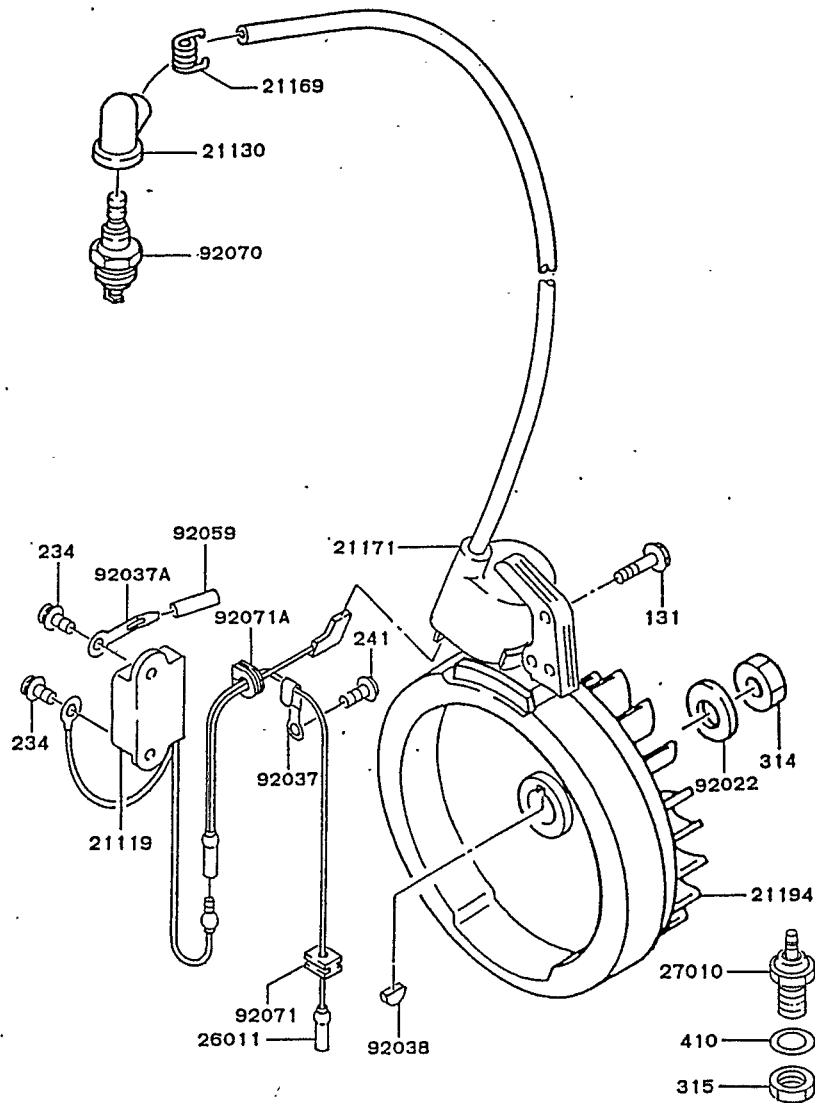
FA130D-  S54

**B-08**

This grid covers:

**ELECTRIC-EQUIPMENT**

E0160-2636A



Ref. No.	Parts No.	Description	F	Quantity
21119	3144AA-8465A	IGNITER	1	
21130	21130-2066	CAP-SPARK PLUG	1	
21169	317270-8419A	TERMINAL	1	
21171	21171-2168	COIL-ASSY-IGNITION	1	
21194	3144AA-8111A	FLYWHEEL-COMP	1	
26011	26011-2080	WIRE-LEAD	1	
27010	315515-8511A	SWITCH	1	
92022	314401-3482A	WASHER	1	
92037	92037-2104	CLAMP	1	
92037A	92037-2165	CLAMP	1	
92038	92038-2077	KEY	1	
92059	92059-2156	TUBE, 5X6X35	1	
92070	92070-2051	PLUG-SPARK, BM6A(NGK)	1	
92071	314401-8164B	GROMMET	1	
92071A	92071-2113	GROMMET	1	
131	131B0520	BOLT-FLANGED	2	
234	234B0514	SCREW-PAN-WSP+-	2	
241	241B0408	SCREW-PAN-WP+-	1	
314	314G1400	NUT-HEX-FINE	1	
315	315B1000	NUT-HEX-FINE	1	
410	410B1000	W-PLAIN-S	1	

This catalog covers:

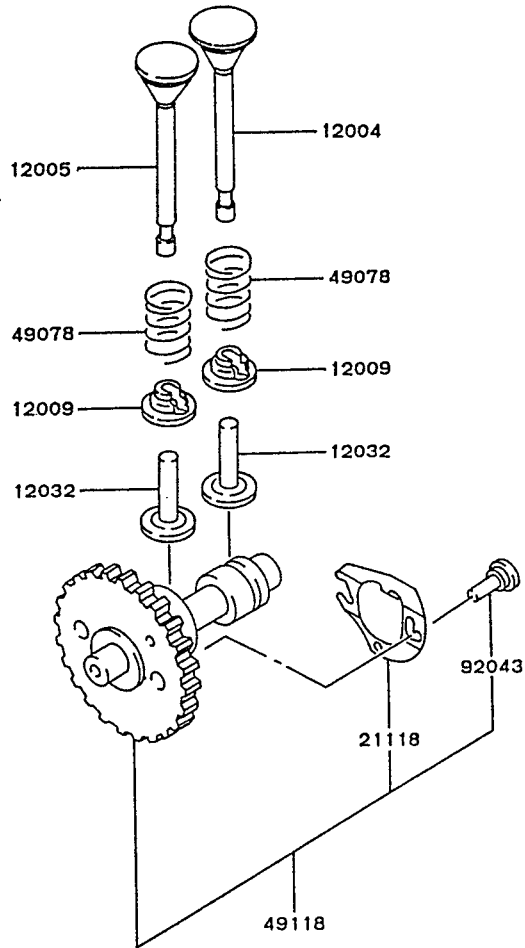
FA130D-  S54

**B-05**

This grid covers:

**VALVE/CAMSHAFT**

E0130-2072A



Ref. No.	Parts No.	Description	Quantity
12004	314400-2111A	VALVE-INTAKE	1
12005	314401-2112A	VALVE-EXHAUST	1
12009	314401-2116B	RETAINER-VALVE SPRING	2
12032	12032-2063	TAPPET	2
21118	21118-2051	DECOMPRESSOR	1
49078	314401-2113A	SPRING-ENGINE VALVE	2
49118	49118-2051	CAMSHAFT-COMP	1
92043	92043-2105	PIN	2

This catalog covers:

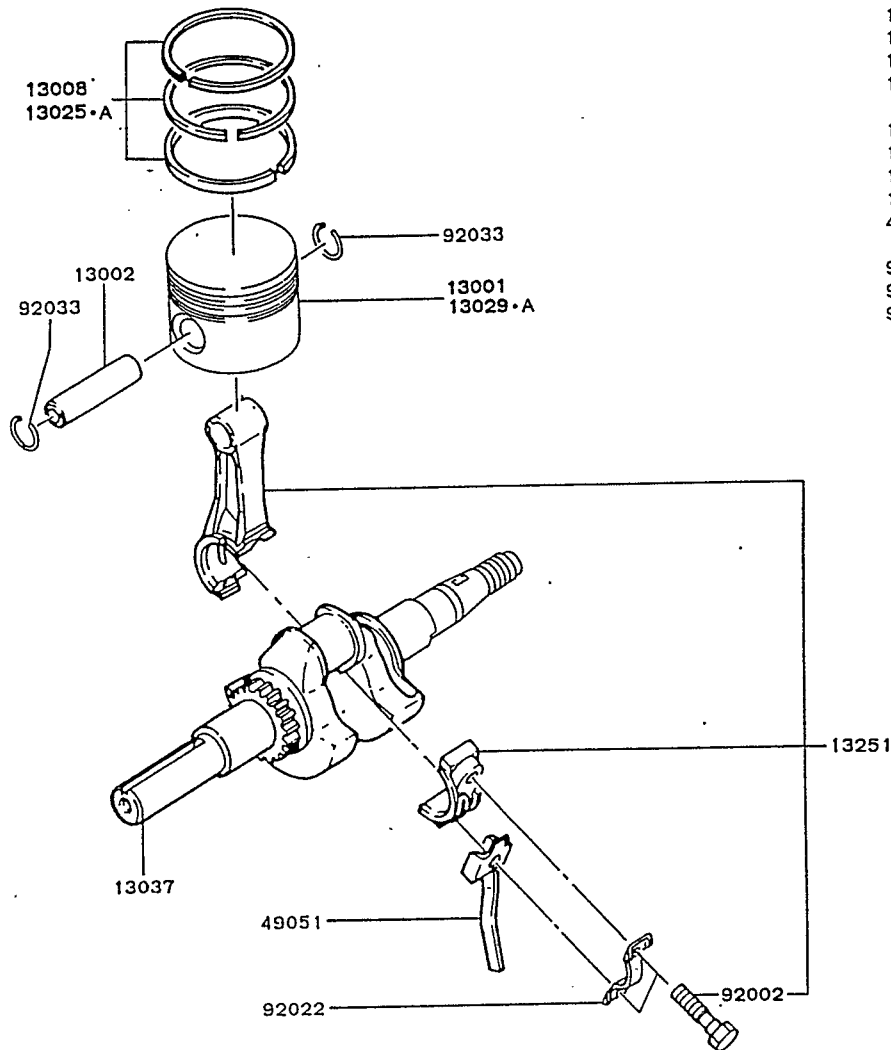
FA130D-  S54

**B-04**

This grid covers:

**PISTON/CRANKSHAFT**

E0120-2027A



Ref. No.	Parts No.	Description	Quantity
13001	314401-3111A	PISTON-ENGINE	1
13002	13002-2071	PIN-PISTON	1
13008	314401-3010A	RING-SET-PISTON	1
13025	314400-3020A	RING-SET-PISTON L,0.25	AR
13025A	314400-3030A	RING-SET-PISTON L,0.50	AR
13029	314400-3131A	PISTON-ENGINE L,0.25	AR
13029A	314400-3132A	PISTON-ENGINE L,0.50	AR
13037	314438-3211A	CRANKSHAFT	1
13251	314401-3240A	ROD-ASSY-CONNECTING	1
49051	314401-3249C	SPLASHER	1
92002	314401-3245A	BOLT	2
92022	314401-3248A	WASHER	1
92033	314401-3122A	RING-SNAP	2

This catalog covers:

FA130D-  S54

L-16

This grid covers:  
NUMERICAL PARTS INDEX

Parts No.	Grid No.	Parts No.	Grid No.	Parts No.	Grid No.	Parts No.	Grid No.	Parts No.	Grid No.
110R0608	B-11	314401-3248A	B-04	411B0800	B-12				
11009-2432	B-06	314401-3249C	B-04	46075-2059	B-13				
11012-2102	B-11	314401-3444A	B-13	49015-6014	B-03				
11012-2107-9Z	B-11	314401-3445A	B-13	49070-2066-9Z	B-11				
112B0816	B-12	314401-3446A	B-13	49080-2141	B-13				
12032-2063	B-05	314401-3449A	B-13	49088-2321-YK	B-13				
130D1014	B-06	314401-3482A	B-08	49089-2051-9H	B-07				
13002-2071	B-04	314401-4124A	B-03	49106-2323-YM	B-11				
131B0520	B-08	314401-4211A	B-03	49106-2442-YM	B-11				
15001-2545	B-10	314401-5110A	B-09	49107-2054-9Z	B-11				
16028-2057	B-10	314401-5121B	B-09	49108-2085	B-03				
16073-2056	B-10	314401-5135A	B-09	49118-2051	B-05				
16115-2069	B-06	314401-5211D	B-09	49120-6005	B-03				
16169-2099	B-09	314401-6102A	B-10	51001-2063-9H	B-12				
171G0616	B-11	314401-6114A	B-10	51048-2062	B-12				
171G0625	B-10	314401-6115A	B-10	551A0612	B-03				
171G0640	B-10	314401-6116A	B-10	554A0600	B-09				
181G0850	B-03	314401-6131B	B-10	56030-2179	C-03				
186B0610	B-07	314401-6132A	B-10	56038-2460	C-03				
186B0612	B-03	314401-6142A	B-10	59066-2317-9H	B-07				
186B0630	B-03	314401-6144A	B-10	59101-2077	B-13				
21118-2051	B-05	314401-6164A	B-10	59106-2098	B-13				
21130-2066	B-08	314401-6167A	B-10	601A6204	B-03				
21171-2168	B-08	314401-6184A	B-10	67082015	B-06				
214B0414	B-10	314401-6543F	B-12	702A071000	B-11				
214B0420	B-09	314401-6544A	B-12	92002-2269	B-09				
214B0423	B-10	314401-6581A	B-12	92009-2155	B-11				
233B0625	B-10	314401-6732A	B-12	92015-1193	B-09				
234B0514	B-08	314401-8164B	B-08	92022-2248	B-13				
241B0408	B-08	314404-1351A	B-11	92037-2020	B-09				
241B0510	B-07	314412-5231A	B-09	92037-2104	B-08				
26011-2080	B-08	314413-1316A	B-11	92037-2165	B-08				
311B0600	B-10	314419-6174A	B-10	92038-2077	B-08				
311B0600	B-11	314434-5310A	B-09	92043-2105	B-05				
311B0800	B-12	314438-3211A	B-04	92049-2098	B-03				
311501-1683-00	B-11	314496-1442B	B-11	92049-2198	B-03				
311509-6117-00	B-10	314501-3447A	B-13	92059-2156	B-08				
312801-6168A	B-10	315B1000	B-08	92070-2051	B-08				
314G1400	B-08	315501-1310A	B-11	92071-2113	B-08				
3144AA-8111A	B-08	315501-1311C	B-11	92081-2102	B-09				
3144AA-8465A	B-08	315501-1312A	B-11	92144-2055	B-13				
314400-2111A	B-05	315501-1313A	B-11	92144-2244	B-09				
314400-3020A	B-04	315501-5381A	B-09	92144-2266	B-09				
314400-3030A	B-04	315501-6139B	B-10	92150-2211	B-13				
314400-3131A	B-04	315501-6160A	B-10	92200-2029	B-09				
314400-3132A	B-04	315501-6171A	B-10						
314401-1111A	B-03	315507-6144A	B-10						
314401-1121C	B-03	315514-0817A	C-03						
314401-1232A	B-03	315514-0827A	C-03						
314401-1332A	B-11	315515-8511A	B-08						
314401-1341A	B-11	317196-5515-00	B-09						
314401-1632A	B-07	317270-8419A	B-08						
314401-2112A	B-05	32052-2072-9H	B-12						
314401-2113A	B-05	32099-2151-YK	B-13						
314401-2116B	B-05	39003-2068	B-09						
314401-3010A	B-04	410B0600	B-10						
314401-3111A	B-04	410B0600	B-11						
314401-3122A	B-04	410B1000	B-08						
314401-3240A	B-04	411B0500	B-09						
314401-3245A	B-04	411B0600	B-11						

This catalog covers:

FA130D-  S54

C-03

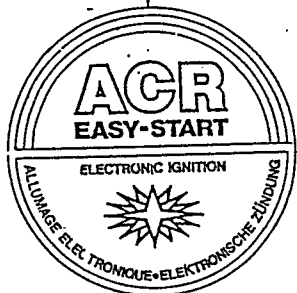
This grid covers:

LABEL

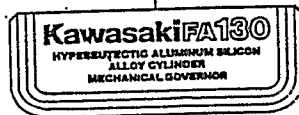
F0290-2808A

Ref. No.	Parts No.	Description	F	Quantity
56030	56030-2179	LABEL	1	
56031	315514-0817A	LABEL-MANUAL	1	
56031A	315514-0827A	LABEL-MANUAL	1	
56038	56038-2460	LABEL-BRAND	1	

56030



56038



56031

USE INSTRUCTIONS BEFORE STARTING.  
FILL CHAMBERS WITH OIL.  
SEE CLASS "20" OR "30" OIL ONLY.  
STROKE 240 TO OIL.  
STROKE 240 TO OIL.  
SEE YOUR DISTRIBUTION BOOK!

INSTRUCTIONS avant le démarrage.  
Remplir les chambres avec l'huile.  
Voir la classe "20" ou "30".  
Cilindrada 240 cc. de aceite.  
Cilindrada 240 cc. de aceite.  
Consultar vuestro manual de distribución.

BEVORZUGSWEISE MIT OIL FÜLLEN. BEZUGS-  
WEISE DIE ANSCHLÜSSE DER OIL-KLASSE  
"20" ODER "30".  
STROKE/Verfahren Sie SAE 20 Öl.  
STROKE/Verfahren Sie SAE 30 Öl.  
Bitte lesen Sie den Verteilungs-  
buch!

56031A

CLEAN ELEMENT EVERY 20-30 HRS OR PRELIER, WASH  
OR REPLACE AS NECESSARY. SEE YOUR DISTRIBUTION BOOK  
FOR MORE INFO.

Nettoyage élémentaire toutes les 20 à 30 heures ou avant  
de démarrer. Voir votre manuel de distribution.  
Nettoyer ou remplacer l'élément.  
Voir votre manuel de distribution.

REINIGEN SIE DIE LUFTFILTER JEWEILS 20-30  
STUNDEN VORWEG. IN FÖRDERUNG MANUELLER  
ANWISUNGEN LÖSUNG IN FÖRDERUNG MANUELLER  
ANWISUNGEN ODER KONTAKT MIT DER VERTEILUNG.