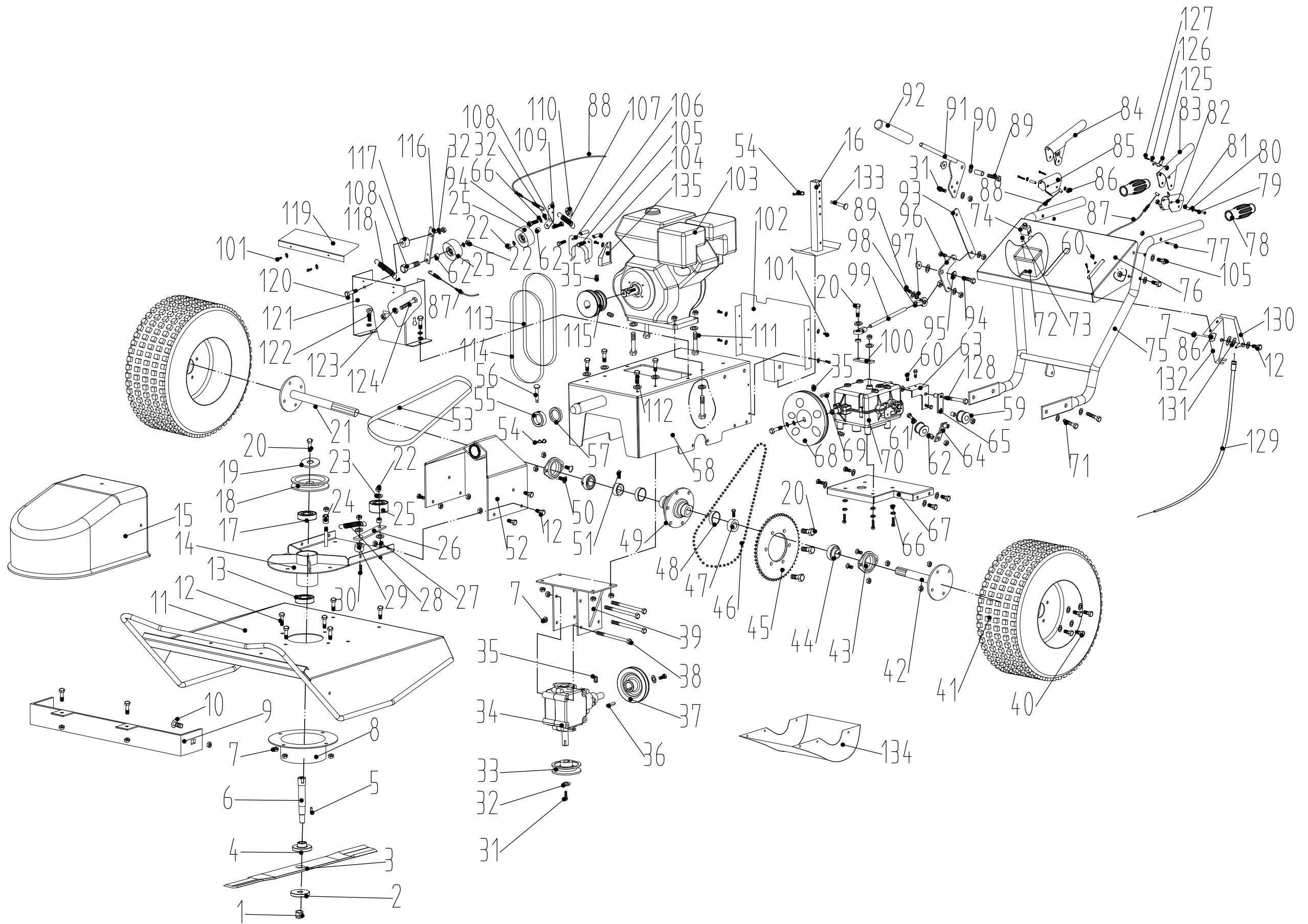


Multi cut 900TG



POS	QTY	PARTNUMBER	BESKRIVELSE	DESCRIPTION
1	1	421255	LÅSEMØTRIK M16	LOCKING NUT 16
2	1	421256	SKIVE	COMPRESSING WASHER GC
3	1	421257	KNIV 65MN	KNIFE
4	1	421258	HOLDER	KNIFE FIXED BOTTOM
5	1	421259	NOT C5X25	FLAT KEY C5X25
6	1	430076	AKSEL T. MULTICUT KNIV	
7	38	90122180	FLANGEMØTRIK M8 FZ	COLLAR NUT M8 FZ
8	1	421261	BESKYTTELSESDÆKSEL	PROTECT COVER GC
9	1	421262	KOFANGER	HEAD BOARD OF KNIFE COVER
10	2	421263	BOLT M8X20	SQUARE NECK BOLT 8X20
11	1	421264	KLIPPESKJOLD	KNIFE COVER GC660
12	26	90102743	SÆTBOLT 8.8 M8X20 FZ	SET BOLT M8X20 FZ
13	1	90200550	KUGLELEJE 6206RS 62X30X16	BALL BEARING 6206RS 62X30X16
14	1	421266	HOLDER	KNIFE AXIS HOLDER
15	1	426570	SKÆRM FOR REM	
16	1	424185	STØTTEBEN	INNER SLEEVE
17	1	421268	KUGLELEJE 6305	BEARING 6305
18	1	421269	STRAMMERULLE	PULLEY ON THE KNIFE AXIS GC
19	1	421270	SKIVE 10X30X5	BIG WASHER 10X30X5
20	8	916037	SÆTBOLT 8.8 M10X20 FZ	SET BOLT M10X20 FZ
21	1	421271	HJULAKSEL HØJRE	RIGHT WHEEL SHAFT GC660
22	10	90100663	STÅLMØTRIK 8.8 M10 FZ	STEEL NUT M10 FZ
23	20	292349	SKIVE M10	WASHER M10
24	1	421272	BØS	BUSH FOR TENSION SPRING
25	3	421273	STRAMMERULLE	TENSION PULLEY GC
26	1	421274	STRAMMERULLEARM	TENSION PULLEY ARM GC-1
27	1	90102918	STÅLBOLT 8.8 M8X55	STEEL BOLT M8X55
28	2	421275	FJEDER	TENSION SPRING
29	1	421276	BØS	BUSH GC660-1
30	1	90102919	STÅLBOLT 8.8 M8X60	STEEL BOLT M8X60
31	10	90102744	SÆTBOLT 8.8 M8X25 FZ	SET BOLT M8X25 FZ
32	6	412247	SKIVE M8	WASHER M8
33	1	421277	STRAMMERULLE	PULLEY ON THE GEAR BOX END GC-1
34	1	421278	GEAR	GEAR BOX
35	6	421279	PINOLSKRUE M8X10	HEAXAGON SOCKET SET ACREWS WITH CUP POIN
36	1	421280	NOT C5X20	FLAT KEY C5X20
37	1	421281	STRAMMERULLE	PULLEY ON THE GEAR BOX FRONT GC-1
38	4	90102931	STÅLBOLT 8.8 M8X120 FZ	STEEL BOLT M8X120 FZ
39	1	421283	BESLAG	GEARBOX HOLDER
40	2	421284	HJUL	TIRE
41	40	11GB/T9718	SKIVE M8	WASHER M8
42	1	421285	AKSEL	LEFT WHEEL SHAFT GC660
43	4	421286	LEJE	BEARING BOTTOM PFL205
44	2	421287	LEJE UE205	BEARING 205
45	1	421288	TANDHJUL	BIG CHAIN WHEEL
46	1	421289	KÆDE 68	CHAIN GC660

POS	QTY	PARTNUMBER	BESKRIVELSE	DESCRIPTION
47	2	421290	BØS	DIFFERENTIAL FIXED BUSH-2
48	2	421291	LEJE HL4012	BEARING 61805
49	1	421292	DIFFERENTIALE	DIFFERENTIAL
50	4	90102744	SÆTBOLT 8.8 M8X25 FZ	SET BOLT M8X25 FZ
51	4	90102739	SÆTBOLT 8.8 M8X10 FZ	SET BOLT M8X10 FZ
52	1	421295	HUS	CUTTER CONNECT GC660
53	1	421296	KILEREM B-47	V BELT B-1194
54	2	90000057	SPLIT 2,5 MM.	COTTER 2,5 MM.
55	1	425263	RING	
56	1	421297	BOLT M6X60	PIN B6X60
57	1	424190	BØS	BUSHING
58	1	421299	CHASSIS	BODY GC660
59	2	421300	KÆDEHJUL	CHAIN TENSION WHEEL
60	9	90102722	SÆTBOLT 8.8 M6X12 FZB	SET BOLT M6X12 FZ
61	2	90102918	STÅLBOLT 8.8 M8X55	STEEL BOLT M8X55
62	5	421302	BØS	CHAIN TENSION WHEEL BUSH
63	1	421303	CHASSIS	CHAIN TENSION WHEEL BOTTOM
64	1	421304	ARM	CHAIN TENSION ARM-2
65	1	421305	ARM	CHAIN TENSION ARM-1
66	10	290500	FJEDERSKIVE M8	SPRING COLLAR M8
67	1	421306	UNDERPLADE	GEAR BOX FIXED BOARD
68	1	421307	REMSKIVE	PULLEY ON THE GEAR BOX GC-2
69	1	421308	NOT C5X5X18	FLAT KEY B5X5X18
70	1	421309	GEAR	GEAR BOX
71	4	90102939	STÅLBOLT 8.8 M10X25	STEEL BOLT M10X25
72	1	421310	KONTAKT	SWITCH BOX GC
73	4	026390416	MASKINSKRUE SORT 4X16	MACHINE SCREW 4X16
74	1	421312	STOPKONTAKT	STOP SWITCH
75	1	421313	STYR	HANDLE GC660
76	1	421314	BRYSTPLADE	DASH BOARD GC660
77	2	90102889	STÅLBOLT 8.8 M6X40 FZ	STEEL BOLT M6X40 FZ
78	2	421316	GREB	GRIP
79	2	90102890	SÆTBOLT 8.8 M6X45	SET BOLT M6X45
80	18	11GB/T9716	SKIVE Ø6	WASHER M6
81	2	421318	BØS	CLUTCH HANDLE BUSH
82	1	421319	KOBLINGSBESLAG VENSTRE	HANDLE BOTTOM 30?LEFT?
83	1	421320	KOBLINGSGREB VENSTRE	LEFT CLUTCH HANDLE
84	1	421321	KOBLINGSGREB HØJRE	RIGHT CLUTCH HANDLE
85	1	421322	KOBLINGSBESLAG HØJRE	HANDLE BOTTOM 30?RIGHT?
86	5	90100661	STÅLMØTRIK 8.8 M6 FZ	STEEL NUT M6 FZ
87	1	421323	KABEL	CABEL GC660-1
88	1	421324	KABEL	CABLE GC660-2
89	2	90102942	STÅLBOLT 8.8 M10X40 FZ	STEEL BOLT M10X40 FZ
90	1	421325	SKIVE	SHIFT BUSH GC
91	1	421326	HÅNDTAG	SHIFT HANDLE
92	2	421327	GREB	SHIFT HANDLE GRIP
93	1	421328	FORBINDER	CONNECTOR BAR
94	2	90151137	STÅLBOLT KVA10.9 M8X30	STEEL BOLT M8X30

POS	QTY	PARTNUMBER	BESKRIVELSE	DESCRIPTION
95	1	406774	BØS	BUSHING
96	1	421329	BESLAG	ROCKER GC660-1
97	2	421330	LEJE	BEARING GE10E
98	2	421331	BESLAG	STEERING ARM BALL TUD
99	1	421332	BOLT M10X230	DOUBLE-SCREW BOLT 10X230
100	1	421333	ARM	FORK ARM
101	5	90102721	SÆTBOLT 8.8 M6X10 FZ	SET BOLT M6X10 FZ
102	1	425266	CHASSIS	
103	1	421335	MOTOR LONCIN G420F 14HP	ENGINE
104	2	421336	BØS	BUSH GC660-2
105	6	90102916	STÅLBOLT 8.8 M8X45	STEEL BOLT M8X45
106	1	421267	DÆKSEL FOR REM	BELT COVER
107	1	424191	FJEDER	SPRING
108	2	90102748	SÆTBOLT 8.8 FZ M8X40	SET BOLT M8X40 FZ
109	1	421337	STRAMMEARM	TENSION ARM GC-3
110	1	419900	BØSNING	BUSHING
111	1	90102943	STÅLBOLT 8.8 M10X45 FZ	STEEL BOLT M10X45 FZ
112	4	417982	STÅLBOLT 8.8 M8X16	STEEL BOLT M8X16
113	1	421339	KILEREM A-867	V-BELT A864
114	1	421340	KILEREM A-768	V-BELT A737
115	1	421341	REMSKIVE	MAIN PULLEY GC
116	1	421342	ARM	TENSION ARM GC-2
117	1	425267	BØS	
118	1	419912	FJEDER	SPRING
119	1	421343	DÆKSEL	CAP BOARD GC
120	4	90102914	STÅLBOLT 8.8 M8X35	STEEL BOLT M8X35
121	1	421344	BESLAG	TENSION BRACKET GC660
122	1	90102911	STÅLBOLT 8.8 M8X20	STEEL BOLT M8X20
123	6	90100692	LÅSEMØTRIK 8.8 M8 FZ	LOCKING NUT M8 FZ
124	1	421345	MØTRIK M8X60	NUT 8X60
125	1	421346	VIPPEARM	CLUTCH LOCKING FORK
126	1	421347	RETURFJEDER	RETURN SPRING
127	1	90102893	STÅLBOLT 8.8 M6X60 FZ	STEEL BOLT M6X60 FZ
128	1	421348	BOLT M10X100 M10X100	BOLT 10X100
129	1	421349	GASKABEL	GAS CABLE GC660
130	1	421350	GASARM	GAS LEVER G
131	4	421351	BØLGESKIVE M10	WAVE WASHER 10
132	1	421352	BESLAG	GAS LEVER BOTTOOM G
133	1	90240050	SPLITBOLT 8X40	COTTER BOLT 8X40
134	1	424192	BESKYTTELSE	COVER
135	1	424193	DÆKSEL	COVER