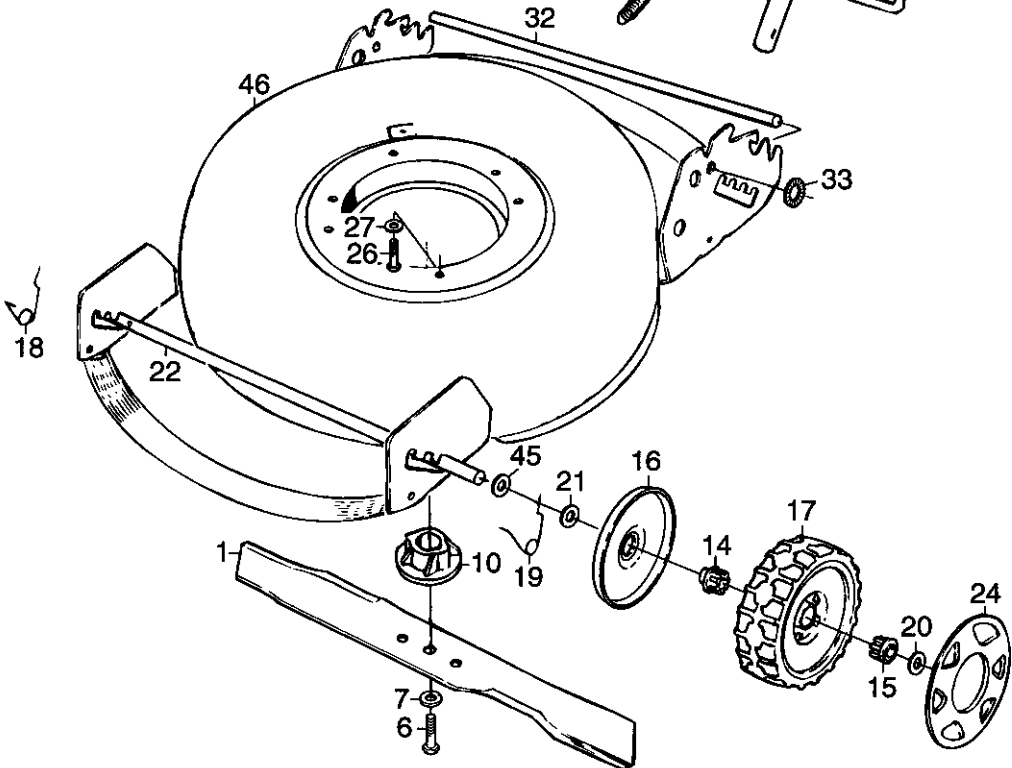
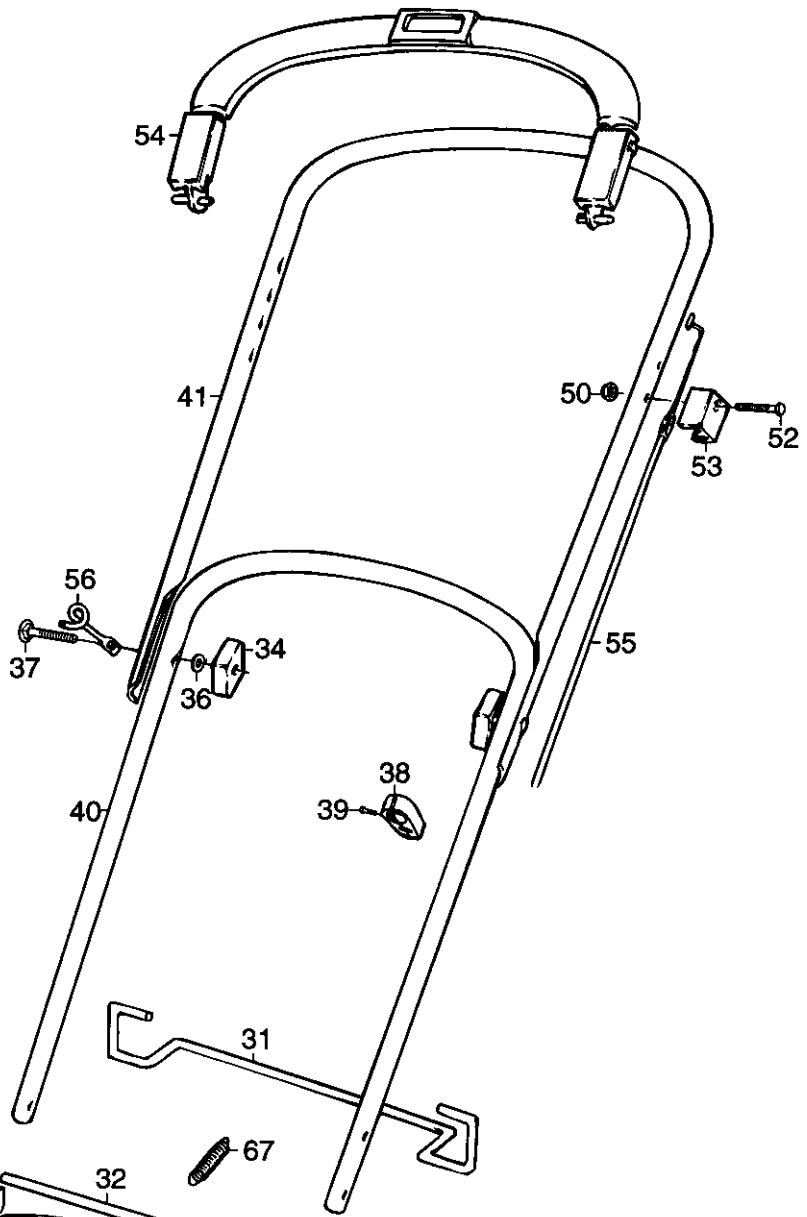
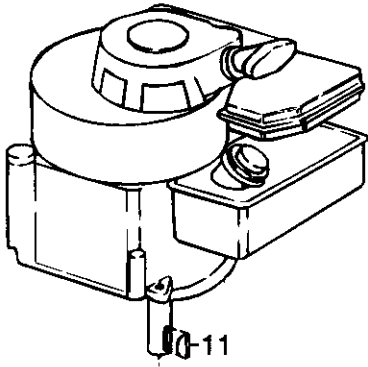
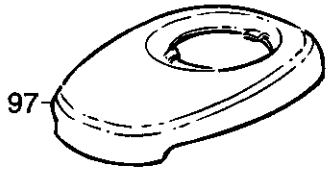


Texas bio 46
ÅR 2002



Ausgabe Issue 2002-1		Bild Nr Picture No C025		CLUB GARDEN 484 TEXAS BIO 46 GARDEN FOX SMX 460		CLUB GARDEN 484 TEXAS BIO 46 GARDEN FOX SMX 460	
----------------------------	--	-------------------------------	--	---	--	---	--

Pos. Fig.	Anzahl/Quantity			Artikel Nr. Part No	Bezeichnung	Description	Satz Kit
	3281 -96	Texas bio 46 3281 -76	3281 -46				
1	1	1	1	1111-3099-01	Messer.....	Blade.....	
6	1	1	1	9987-5238-12	Schraube.....	Blade bolt.....	
7	1	1	1	9696-0011-01	Scheibe.....	Washer.....	
10	1	1	1	1111-3153-01	Messerhaltung.....	Blade holder.....	
11	1	1	1	9600-0014-00	Keil.....	Key.....	
14	4	4	4	1117-3012-01	Lagerbuchse.....	Wheel bush.....	
15	4	4	4	1111-3165-01	Buchse.....	Bushing.....	
16	4	4	4	1117-1161-01	Radschutz.....	Wheel protection.....	
17	4	4	4	1111-3163-01	Rad.....	Wheel.....	
18	2	2	2	1111-1589-02	Höhenverst.feder- R.....	Height adj.spring- R.H.....	
19	2	2	2	1111-1589-01	Höhenverst.feder- L.....	Height adj.spring- L.H.....	
20	4	4	4	9675-0017-02	Verriegelungsscheibe.....	Lock washer.....	
21	4	4	4	9699-0037-02	Scheibe.....	Washer.....	
22	2	2	2	1111-3312-01	Radachse.....	Wheel axle.....	
24	4			1111-3084-03	Nabenkapsel- weiß.....	Hub cap- white.....	
24		4		1111-3084-07	Nabenkapsel- grau.....	Hub cap- grey.....	
24			4	1111-3084-09	Nabenkapsel- rot.....	Hub cap- red.....	
26	3	3	3	9955-3732-12	Schraube.....	Screw.....	
27	3	3	3	9699-0029-02	Scheibe.....	Flat washer.....	
31	1	1	1	1111-3017-01	Führungsbügel.....	Handlebar clamp.....	
32	1	1	1	1111-1532-01	Führungstange.....	Pivot rod.....	
33	2	2	2	9670-0203-00	Schloßscheibe.....	Lock washer.....	
34	2	2	2	1111-0035-01	Verriegelungsrads.....	Locking knob.....	
36	2	2	2	9699-0025-02	Scheibe.....	Washer.....	
37	2	2	2	9899-3551-12	Schraube.....	Screw.....	
38	1	1	1	1111-2018-01	Kabelhalter.....	Cable holder.....	
39	1	1	1	9836-9216-12	Schraube.....	Screw.....	
40	1	1	1	1111-3018-01	Führungsholm- Untert.....	Handlebar- lower part.....	
41	1	1	1	1111-2957-01	Führungsholm- Obert.....	Handlebar- upper part.....	
45	4	4	4	1111-1593-01	Scheibe.....	Washer.....	
46		1	1	1111-3338-02	Chassie- rot.....	Chassis- red.....	
46	1			1111-3338-07	Chassie- gelb.....	Chassis- yellow.....	
46				1111-3338-08	Chassie- grün.....	Chassis- green.....	
50	1	1	1	9747-0631-02	Mutter.....	Lock nut.....	
52	1	1	1	9948-0640-16	Schraube.....	Screw.....	
53	1	1	1	1111-2969-01	Drahthalter.....	Cable attachment.....	
54	1	1	1	1111-2953-01	Bügel (Motorbremse).....	Control handle.....	
55	1	1	1	1111-2968-05	Motorbremsdraht.....	Engine brake cable.....	
56	1	1	1	1111-3062-01	Augenlenkung.....	Eyelink.....	
67	1	1	1	1111-2375-01	Feder.....	Spring.....	
97	1			1111-3289-01	Motorkappe- schwarz.....	Engine cover- black.....	