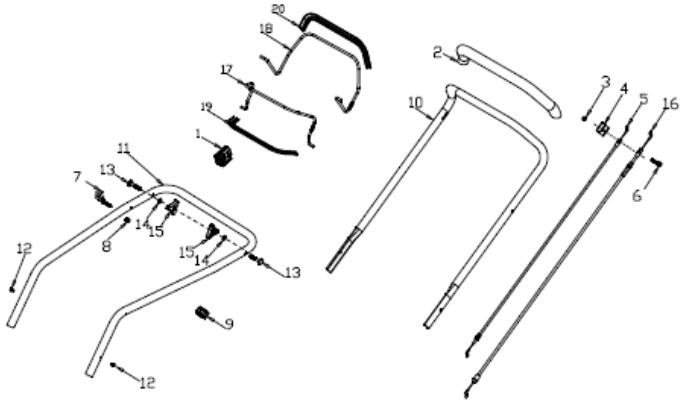


Model: XT 510TR

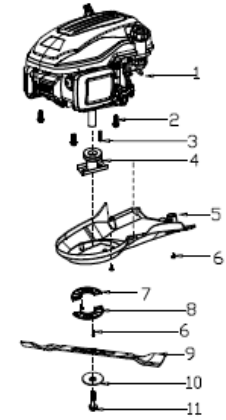
Part Number: 90066595

Year: 2022

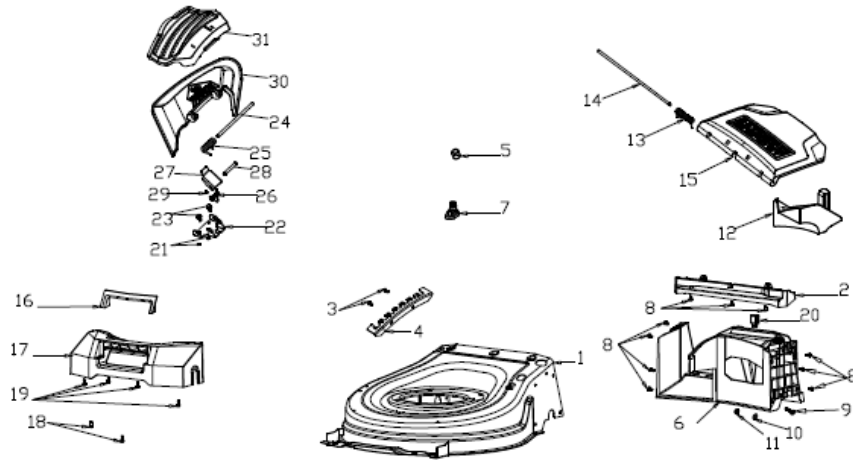
A



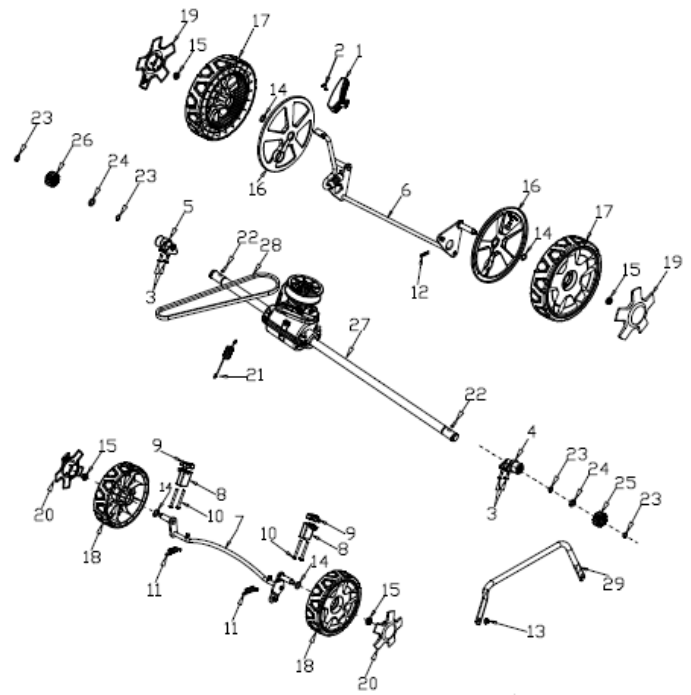
C



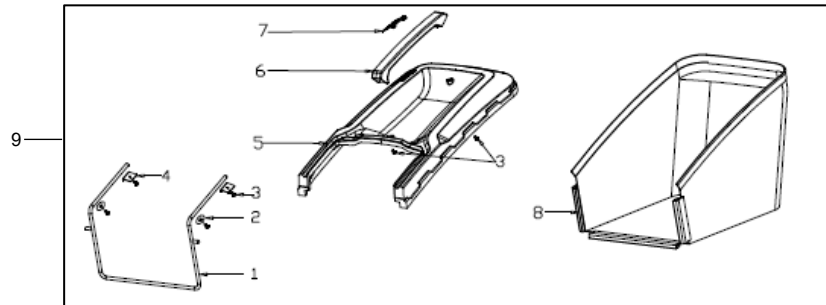
D



E



F



POS	QTY	PARTNUMBER	BESKRIVELSE	DESCRIPTION
A-1	1	428853	BESLAG MED STOP FOR BØJLER	BRACKET
A-2	1	419232	SOFTGRIP	HANDLE
A-3	1	419337	LÅSEMØTRIK M6	LOCKING NUT M6
A-4	1	428856	KABELHOLDER	CABLE HOLDER
A-5	1	448023	STOPKABEL	BRAKE CABLE
A-6	1	427164	BOLT M6X32	BOLT M6X32
A-7	1	419237	HOLDER FOR STARTSNOR	HOLDER
A-8	1	419337	LÅSEMØTRIK M6	LOCKING NUT M6
A-9	1	428883	KABELHOLDER/CLIPS PLAST	CABLE HOLDER
A-10	1	448022	STYR ØVRE	UPPER HANDLE
A-11	1	449422	STYR NEDRE	LOWER HANDLE
A-12	2	449423	SKRUE	SCREW
A-13	2	427152	BRÆDDEBOLT M8X50	BOLT M8X50
A-14	2	419242	SKIVE 8.5X16X1.54	WASHER 8.5X16X1.54
A-15	2	448025	FINGERSKRUE SORT	KNOB
A-16	1	440218	KOBLINGSKABEL GT	CLUTCH CABLE
A-17	1	448021	BØJLE FOR STOP	BRAKE LEVER
A-18	1	428866	BØJLE FOR FREMTRÆK (RUND)	CLUTCH LEVER (ROUND)
A-19	1	436614	PLASTHÅNDTAG	PLASTIC DECORATION
A-20	1	427187	PLASTHÅNDTAG FOR BØJLE FOR FREMTRÆK	PLASTIC HANDLE
C-1	1	TG580	TG580	TG580
C-2	3	419284	BOLT M8X25	BOLT M8X25
C-3	1	419289	NOT	NOT
C-4	1	435494	KNIVHOLDER	BLADE ADAPTER
C-5	1	452691	REMSKÆRM	BELT COVER
C-6	4	439373	SKRUE	SCREW
C-7	1	435496	AFDÆKNING	BELT COVER PLATE
C-8	1	435497	AFDÆKNING	BELT COVER PLATE
C-9	1	419291	KNIV 50CM	BLADE 20"
C-10	1	419292	SKIVE FOR KNIV	WASHER
C-11	1	419293	STÅLBOLT FOR KNIVHOLDER 3/8-24UNFX35	STEEL BOLT
C-12	3	435711	BOLT	SCREW
C-13	1	448082	MOTORDÆKSEL NEDRE	ENGINE COVER
C-14	1	448083	MOTORDÆKSEL ØVRE	ENGINE COVER
C-15	1	419403	FILTER	FILTER
C-16	1	419404	KLEMME	CLAMP
D-1	1	449425	KLIPPESKJOLD	DECK
D-2	1	448031	HOLDER FOR OPSAMLER	REAR COVER PEDESTAL
D-3	2	449435	SKRUE	SCREW
D-4	1	448027	HØJDEJUSTERINGSPLADE	HEIGHT ADJUSTMENT PLATE
D-5	1	419278	KRAVE	SLEEVE
D-6	1	449434	BAGPLADE	BACK BOARD
D-7	1	452686	VASKESTUDS	WASHING LINKER
D-8	10	439373	SKRUE	SCREW
D-9	1	421778	BOLT M6X32	BOLT M6X32
D-10	1	419336	SKIVE 6X18X1.5	WASHER 6X18X1.5
D-11	1	419273	MØTRIK M6	NUT M6

POS	QTY	PARTNUMBER	BESKRIVELSE	DESCRIPTION
D-12	1	452687	BIOPLUG	MULCHING PLUG
D-13	1	448034	FJEDER	SPRING
D-14	1	448035	AKSEL	REAR COVER SHAFT
D-15	1	448033	UDKASTERKLAP	REAR COVER
D-16	1	448036	FORSKÆRM ØVRE DEL	FRONT PLATE
D-17	1	448037	FORSKÆRM	FRONT FACE
D-18	2	434588	SKRUE ST4.2X12	SCREW ST4.2X12
D-19	4	419316	SKRUE 4X15	SCREW 4X15
D-20	1	448030	AFSTANDSSTØTTE TIL OPSAMLER	SUPPORTER
D-21	2	419263	MØTRIK M5	NUT M5
D-22	1	449426	BESLAG	SIDE DISCHARGE BRACKET
D-23	2	421982	BOLT M5X12	BOLT M5X12
D-24	1	419305	AKSEL	SHAFT
D-25	1	449427	FJEDER	SPRING
D-26	1	449430	FJEDER	SPRING
D-27	1	449431	COVER PLADE	COVER PLATE
D-28	1	449432	AKSEL	SHAFT
D-29	1	449433	LÅSERING	LOCK RING
D-30	1	449428	SIDEDÆKSEL	SIDE DISCHARGE
D-31	1	449429	COVER	SIDE DISCHARGE COVER
E-1	1	448049	HØJDEJUSTERINGHÅNDTAG	HEIGHT ADJUSTMENT HANDLE
E-2	1	452689	SKRUE	SCREW
E-3	4	439373	SKRUE	SCREW
E-4	1	448056	KRAVE VENSTRE	LEFT SHAFT SLEEVE
E-5	1	448057	KRAVE HØJRE	RIGHT SHAFT SLEEVE
E-6	1	448050	AKSEL	REAR WHEEL SHAFT
E-7	1	448058	AKSEL	FRONT WHEEL SHAFT
E-8	2	448059	AFSTANDSBØS	SLEEVE BASE
E-9	2	448060	PLADE	FIXED PLATE
E-10	4	448061	BOLT M5X50	BOLT
E-11	2	448064	FJEDER	SPRING
E-12	1	419258	PIN	PIN
E-13	1	419295	MØTRIK M6	NUT M6
E-14	4	419251	FJEDERSKIVE	SPRING COLLAR
E-15	4	419256	MØTRIK M8	NUT M8
E-16	2	448051	STØVDÆKSEL	INNER COVER
E-17	2	448052	HJUL	7INCH WHEEL
E-18	2	448062	HJUL 7"	7" WHEEL
E-19	2	448053	HJULKAPSEL	9INCH WHEEL COVER
E-20	2	448063	HJULKAPSEL	7INCH WHEEL COVER
E-21	1	448055	FJEDER	SPRING
E-22	2	419262	STIFT Ø5 MM / L 17 MM	PIN
E-23	4	419266	SEEGERRING U12	RETAINER RING U12
E-24	2	419267	SKIVE 12.5X24X1.5	WASHER 12.5X24X1.5
E-25	1	421984	PALHJUL VENSTRE 13 TÆNDER	RATCHET WHEEL 13 TÆNDER
E-26	1	421985	PALHJUL HØJRE 13 TÆNDER	RATCHET WHEEL 13 TÆNDER
E-27	1	448054	GEARBOX GT	GT GEARBOX

POS	QTY	PARTNUMBER	BESKRIVELSE	DESCRIPTION
E-28	1	421759	KILEREM LI 737	BELT LI 737
E-29	1	448065	FORBINDELSSESSTANG	CONNECTING ROD
F-1	1	448066	BØJLE	METAL BRACKET
F-2	2	448067	SKIVE	FLAT WASHER
F-3	6	439373	SKRUE	SCREW
F-4	2	435522	BESLAG	FIXED PLATE
F-5	1	448068	OPSAMLER TOP	UPPER COVER
F-6	1	448069	HÅNDTAG	HANDLE
F-7	1	448070	OPSAMLER INDIKATOR	INDICATED BOARD
F-8	1	448071	OPSAMLERPOSE	FABRIC BAG
F-9	1	450016	OPSAMLER KPL.	GRASS COLLECTOR ASSY