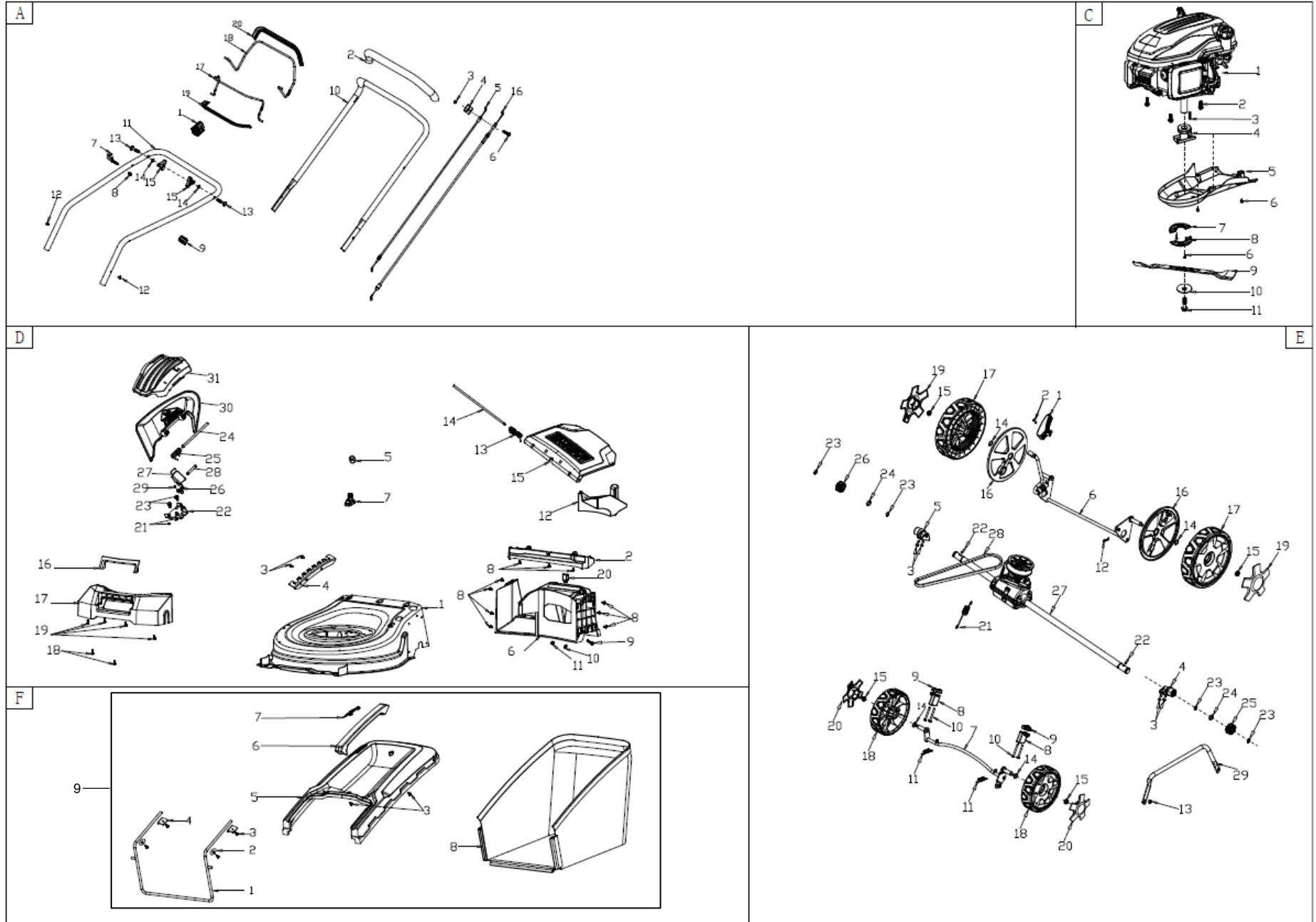


Model: XT 460TR

Part Number: 90066592

Year: 2022



| POS | QTY | PARTNUMBER | BESKRIVELSE | DESCRIPTION |
|------|-----|------------|--------------------------------------|-------------------------|
| A-1 | 1 | 428853 | BESLAG MED STOP FOR BØJLER | BRACKET |
| A-2 | 1 | 419232 | SOFTGRIP | HANDLE |
| A-3 | 1 | 419337 | LÅSEMØTRIK M6 | LOCKING NUT M6 |
| A-4 | 1 | 428856 | KABELHOLDER | CABLE HOLDER |
| A-5 | 1 | 443442 | STOPKABEL | BRAKE CABLE |
| A-6 | 1 | 427164 | BOLT M6X32 | BOLT M6X32 |
| A-7 | 1 | 419237 | HOLDER FOR STARTSNOR | HOLDER |
| A-8 | 1 | 419337 | LÅSEMØTRIK M6 | LOCKING NUT M6 |
| A-9 | 1 | 428883 | KABELHOLDER/CLIPS PLAST | CABLE HOLDER |
| A-10 | 1 | 448022 | STYR ØVRE | UPPER HANDLE |
| A-11 | 1 | 449422 | STYR NEDRE | LOWER HANDLE |
| A-12 | 2 | 449423 | SKRUE | SCREW |
| A-13 | 2 | 427152 | BRÆDDEBOLT M8X50 | BOLT M8X50 |
| A-14 | 2 | 419242 | SKIVE 8.5X16X1.54 | WASHER 8.5X16X1.54 |
| A-15 | 2 | 448025 | FINGERSKRUE | KNOB |
| A-16 | 1 | 440218 | KOBLINGSKABEL GT | CLUTCH CABLE |
| A-17 | 1 | 448021 | BØJLE FOR STOP | BRAKE LEVER |
| A-18 | 1 | 428866 | BØJLE FOR FREMTRÆK (RUND) | CLUTCH LEVER (ROUND) |
| A-19 | 1 | 436614 | PLASTHÅNDTAG | PLASTIC DECORATION |
| A-20 | 1 | 427187 | PLASTHÅNDTAG FOR BØJLE FOR FREMTRÆK | PLASTIC HANDLE |
| C-1 | 1 | TG480 | TG480 | TG480 |
| C-2 | 3 | 419284 | BOLT M8X25 | BOLT M8X25 |
| C-3 | 1 | 419289 | NOT | NOT |
| C-4 | 1 | 435494 | KNIVHOLDER | BLADE ADAPTER |
| C-5 | 1 | 452690 | REMSKÆRM | BELT COVER |
| C-6 | 4 | 439373 | SKRUE | SCREW |
| C-7 | 1 | 435496 | AFDÆKNING | BELT COVER PLATE |
| C-8 | 1 | 435497 | AFDÆKNING | BELT COVER PLATE |
| C-9 | 1 | 421764 | KNIV 46CM | BLADE 18" |
| C-10 | 1 | 419292 | SKIVE FOR KNIV | WASHER |
| C-11 | 1 | 419293 | STÅLBOLT FOR KNIVHOLDER 3/8-24UNFX35 | STEEL BOLT |
| C-12 | 3 | 435711 | BOLT | SCREW |
| C-13 | 1 | 448082 | MOTORDÆKSEL NEDRE | ENGINE COVER |
| C-14 | 1 | 448083 | MOTORDÆKSEL ØVRE | ENGINE COVER |
| C-15 | 1 | 419403 | FILTER | FILTER |
| C-16 | 1 | 419404 | KLEMME | CLAMP |
| D-1 | 1 | 452685 | KLIPPESKJOLD | DECK |
| D-2 | 1 | 448031 | HOLDER FOR OPSAMLER | REAR COVER PEDESTAL |
| D-3 | 2 | 449435 | SKRUE | SCREW |
| D-4 | 1 | 448027 | HØJDEJUSTERINGSPLADE | HEIGHT ADJUSTMENT PLATE |
| D-5 | 1 | 419278 | KRAVE | SLEEVE |
| D-6 | 1 | 449434 | BAGPLADE | BACK BOARD |
| D-7 | 1 | 452686 | VASKESTUDS | WASHING LINKER |
| D-8 | 10 | 439373 | SKRUE | SCREW |
| D-9 | 1 | 421778 | BOLT M6X32 | BOLT M6X32 |
| D-10 | 1 | 419336 | SKIVE 6X18X1.5 | WASHER 6X18X1.5 |
| D-11 | 1 | 419273 | MØTRIK M6 | NUT M6 |

| POS | QTY | PARTNUMBER | BESKRIVELSE | DESCRIPTION |
|------|-----|------------|-----------------------------|--------------------------|
| D-12 | 1 | 452687 | BIOPLUG | MULCHING PLUG |
| D-13 | 1 | 448034 | FJEDER | SPRING |
| D-14 | 1 | 448035 | AKSEL | REAR COVER SHAFT |
| D-15 | 1 | 448033 | UDKASTERKLAP | REAR COVER |
| D-16 | 1 | 448036 | FORSKÆRM ØVRE DEL | FRONT PLATE |
| D-17 | 1 | 448037 | FORSKÆRM | FRONT FACE |
| D-18 | 2 | 434588 | SKRUE ST4.2X12 | SCREW ST4.2X12 |
| D-19 | 4 | 419316 | SKRUE 4X15 | SCREW 4X15 |
| D-20 | 1 | 448030 | AFSTANDSSTØTTE TIL OPSAMLER | SUPPORTER |
| D-21 | 2 | 419263 | MØTRIK M5 | NUT M5 |
| D-22 | 1 | 449426 | BESLAG | SIDE DISCHARGE BRACKET |
| D-23 | 2 | 421982 | BOLT M5X12 | BOLT M5X12 |
| D-24 | 1 | 419305 | AKSEL | SHAFT |
| D-25 | 1 | 449427 | FJEDER | SPRING |
| D-26 | 1 | 449430 | FJEDER | SPRING |
| D-27 | 1 | 449431 | COVER PLADE | COVER PLATE |
| D-28 | 1 | 449432 | AKSEL | SHAFT |
| D-29 | 1 | 449433 | LÅSERING | LOCK RING |
| D-30 | 1 | 449428 | SIDEDÆKSEL | SIDE DISCHARGE |
| D-31 | 1 | 449429 | COVER | SIDE DISCHARGE COVER |
| E-1 | 1 | 448049 | HØJDEJUSTERINGHÅNDTAG | HEIGHT ADJUSTMENT HANDLE |
| E-2 | 1 | 452689 | SKRUE | SCREW |
| E-3 | 4 | 439373 | SKRUE | SCREW |
| E-4 | 1 | 448056 | KRAVE VENSTRE | LEFT SHAFT SLEEVE |
| E-5 | 1 | 448057 | KRAVE HØJRE | RIGHT SHAFT SLEEVE |
| E-6 | 1 | 448050 | AKSEL | REAR WHEEL SHAFT |
| E-7 | 1 | 448058 | AKSEL | FRONT WHEEL SHAFT |
| E-8 | 2 | 448059 | AFSTANDSBØS | SLEEVE BASE |
| E-9 | 2 | 448060 | PLADE | FIXED PLATE |
| E-10 | 4 | 448061 | BOLT M5X50 | BOLT |
| E-11 | 2 | 448064 | FJEDER | SPRING |
| E-12 | 1 | 419258 | PIN | PIN |
| E-13 | 1 | 419295 | MØTRIK M6 | NUT M6 |
| E-14 | 4 | 419251 | FJEDERSKIVE | SPRING COLLAR |
| E-15 | 4 | 419256 | MØTRIK M8 | NUT M8 |
| E-16 | 2 | 448051 | STØVDÆKSEL | INNER COVER |
| E-17 | 2 | 448052 | HJUL | 7INCH WHEEL |
| E-18 | 2 | 448062 | HJUL 7" | 7INCH WHEEL |
| E-19 | 2 | 448053 | HJULKAPSEL | 9INCH WHEEL COVER |
| E-20 | 2 | 448063 | HJULKAPSEL | 7INCH WHEEL COVER |
| E-21 | 1 | 448055 | FJEDER | SPRING |
| E-22 | 2 | 419262 | STIFT Ø5 MM / L 17 MM | PIN |
| E-23 | 4 | 419266 | SEEGERRING U12 | RETAINER RING U12 |
| E-24 | 2 | 419267 | SKIVE 12.5X24X1.5 | WASHER 12.5X24X1.5 |
| E-25 | 1 | 421984 | PALHJUL VENSTRE 13 TÆNDER | RATCHET WHEEL 13 TÆNDER |
| E-26 | 1 | 421985 | PALHJUL HØJRE 13 TÆNDER | RATCHET WHEEL 13 TÆNDER |
| E-27 | 1 | 448054 | GEARBOX GT | GT GEARBOX |

| POS | QTY | PARTNUMBER | BESKRIVELSE | DESCRIPTION |
|------|-----|------------|----------------------|-------------------------------------|
| E-28 | 1 | 435691 | KILEREM LI686 | BELT |
| E-29 | 1 | 448081 | HØJDEJUSTERINGSSTANG | HEIGHT ADJUSTMENT CONNECTING ROD |
| F-1 | 1 | 448066 | BØJLE | METAL BRACKET |
| F-2 | 2 | 448067 | SKIVE | FLAT WASHER |
| F-3 | 6 | 439373 | SKRUE | SCREW |
| F-4 | 2 | 435522 | BESLAG | FIXED PLATE |
| F-5 | 1 | 448068 | OPSAMLER TOP | UPPER COVER |
| F-6 | 1 | 448069 | HÅNDTAG | HANDLE |
| F-7 | 1 | 448070 | OPSAMLER INDIKATOR | INDICATED BOARD |
| F-8 | 1 | 448071 | OPSAMLERPOSE | FABRIC BAG |
| F-9 | 1 | 450016 | OPSAMLER KPL. | GRASS COLLECTOR ASSY |