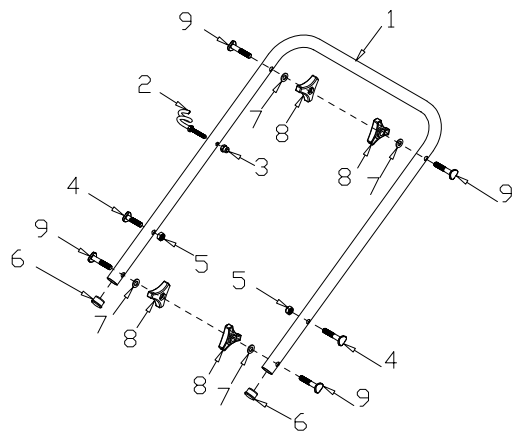
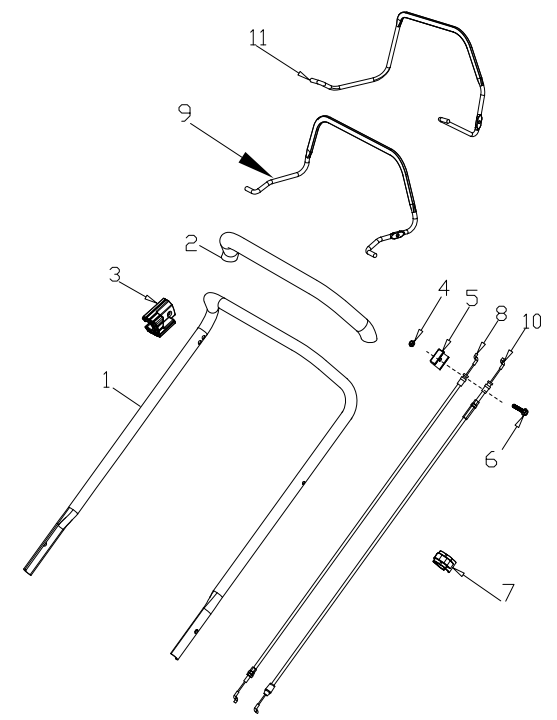


AB1

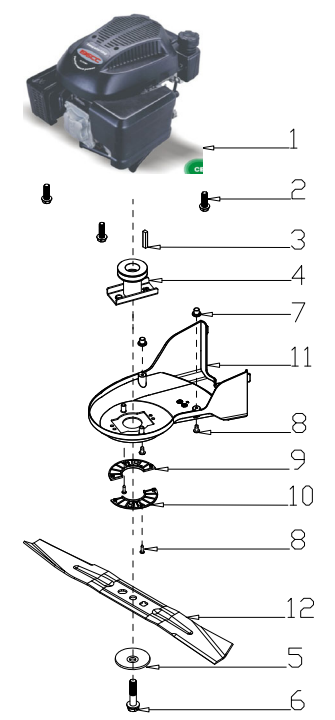


AA1

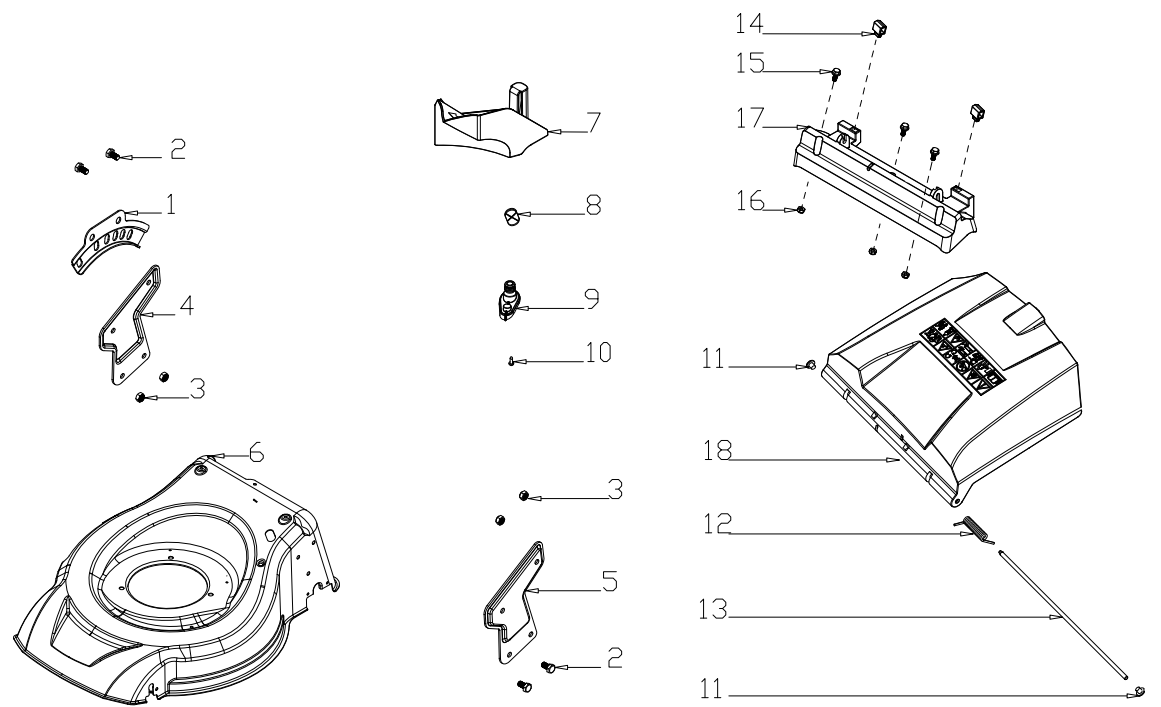


**Model: G53SH-D**  
**Part No.: 90066580**  
**Year: 2025**

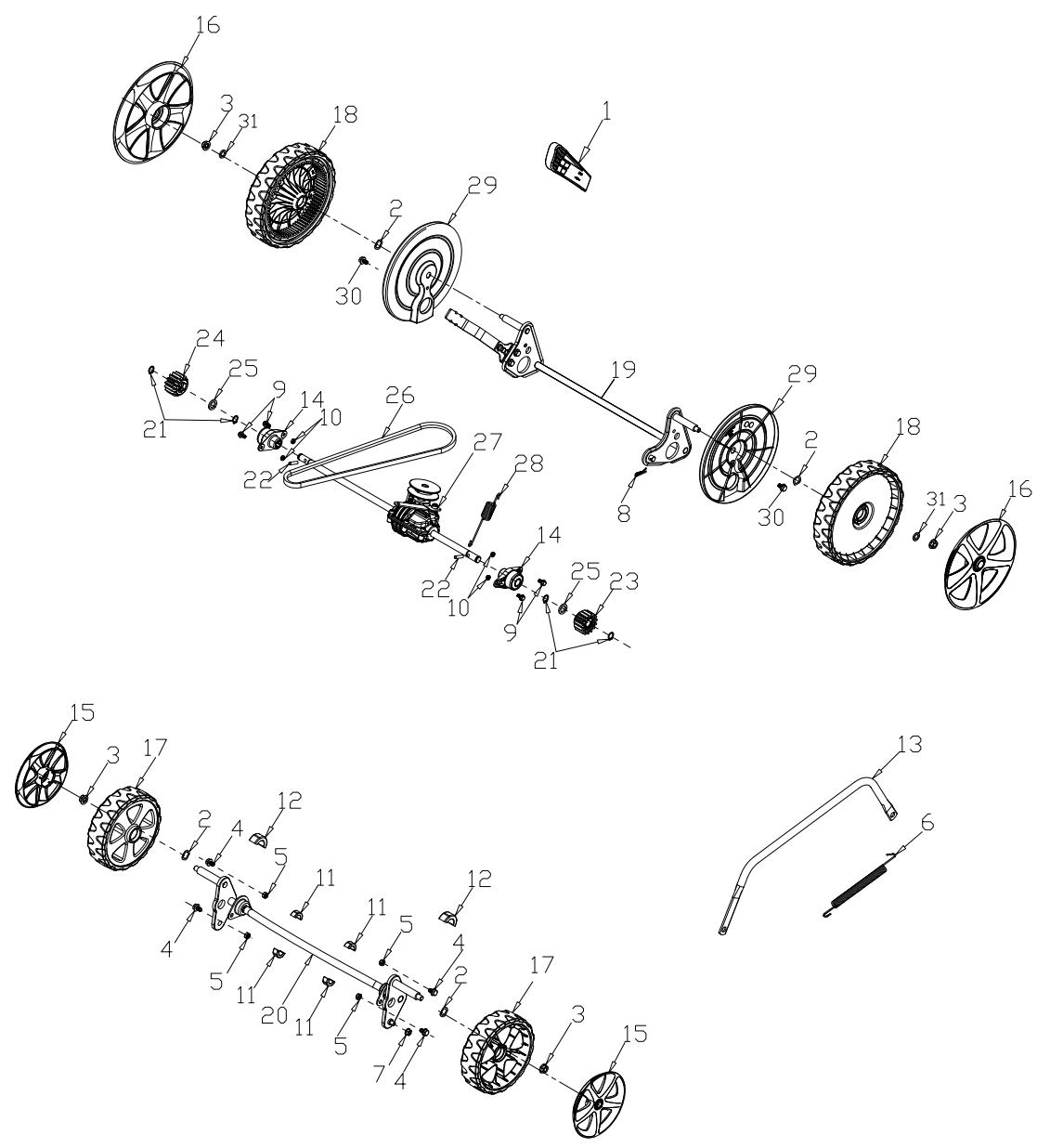
C



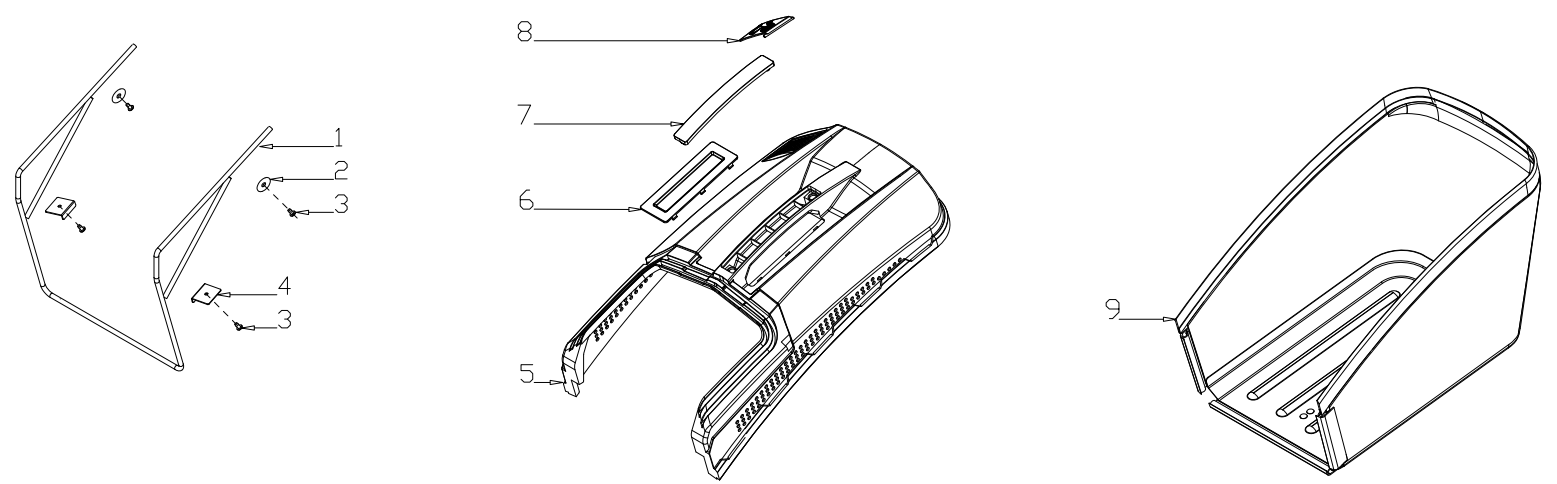
D



E



F



POS	QTY	PARTNUMBER	BESKRIVELSE	DESCRIPTION
AA1-1	1	428855	STYR ØVERST UDEN SOFTGRIP	HANDELBAR
AA1-2	1	419232	SOFTGRIP	HANDLE
AA1-3	1	428853	BESLAG MED STOP FOR BØJLER	BRACKET
AA1-4	1	419337	LÅSEMØTRIK M6	LOCKING NUT M6
AA1-5	1	428856	KABELHOLDER	CABLE HOLDER
AA1-6	1	421778	BOLT M6X32	BOLT M6X32
AA1-7	1	428883	KABELHOLDER/CLIPS PLAST	CABLE HOLDER
AA1-8	1	448023	STOPKABEL	BRAKE CABLE
AA1-9	1	443441	BØJLE FOR STOP	BRAKE HANDLE
AA1-10	1	440218	KOBLINGSKABEL GT	CLUTCH CABLE
AA1-11	1	428851	BØJLE FOR FREMTRÆK (FLAD)	CLUTCH LEVER (FLAT)
AB1-1	1	428859	STYRRØR NEDRE 70CM	HANDELBAR
AB1-2	1	419237	HOLDER FOR STARTSNOR	HOLDER
AB1-3	1	419337	LÅSEMØTRIK M6	LOCKING NUT M6
AB1-4	2	419245	BOLT M8X35	BOLT M8X35
AB1-5	2	419246	MØTRIK M8	NUT M8
AB1-6	2	419247	PROP	PLUG
AB1-7	4	419242	SKIVE 8.5X16X1.54	WASHER 8.5X16X1.54
AB1-8	4	439369	FINGERSKRUE MØRK SØLV	KNOB
AB1-9	4	427152	BRÆDDEBOLT M8X50	BOLT M8X50
C-1	1	453911	MOTOR LONCIN	ENGINE LCIP70FA
C-2	3	419284	BOLT M8X25	BOLT M8X25
C-3	1	419289	NOT	NOT
C-4	1	435494	KNIVHOLDER	BLADE ADAPTER
C-5	1	419292	SKIVE FOR KNIV	WASHER
C-6	1	419293	STÅLBOLT FOR KNIVHOLDER 3/8-24UNFX35	STEEL BOLT
C-7	2	419286	HÆTTE	SCREW CAP
C-8	4	419288	SKRUE ST4,8X12	SCREW ST4,8X12
C-9	1	435496	AFDÆKNING	BELT COVER PLATE
C-10	1	435497	AFDÆKNING	BELT COVER PLATE
C-11	1	435495	REMSKÆRM	BELT COVER
C-12	1	436481	VINGEKNIV STANDARD 53CM	WING BLADE 21"
D-1	1	419300	HØJDEJUSTERING SORT	HEIGHT ADJUSTMENT SORT
D-2	4	419276	BOLT M8X15	BOLT M8X15
D-3	4	439963	MØTRIK M8	NUT
D-4	1	443444	BESLAG HØJRE	RIGHT BRACKET
D-5	1	443446	BESLAG VENSTRE	LEFT BRACKET
D-6	1	453912	KLIPPESKJOLD	DECK
D-7	1	449006	BIOKLIP SKÆRM	MULCHING PLUG
D-8	1	419278	KRAVE	SLEEVE
D-9	1	453913	SKIVE	WASHING LINKER
D-10	1	439373	SKRUE	SCREW
D-11	2	421741	HÆTTE	HOOD
D-12	1	419302	FJEDER	SPRING
D-13	1	419301	AKSEL	SHAFT
D-14	2	419271	BESLAG FOR BAGSKÆRM	BRACKET
D-15	3	419270	BOLT M6X14	BOLT M6X14

POS	QTY	PARTNUMBER	BESKRIVELSE	DESCRIPTION
D-16	3	419273	MØTRIK M6	NUT M6
D-17	1	449007	HOLDER FOR BAGSKÆRM	REAR COVER PEDESTAL
D-18	1	439426	UDKASTERKLAP	REAR COVER
E-1	1	443426	HÅNDTAG FOR HØJDEJUSTERING	HEIGHT ADJUSTMENT HANDLE
E-2	4	419251	FJEDERSKIVE	SPRING COLLAR
E-3	4	419256	MØTRIK M8	NUT M8
E-4	4	419350	STÅLBOLT M6X12	STEEL BOLT M6X12
E-5	4	419273	MØTRIK M6	NUT M6
E-6	1	427159	FJEDER TIL HØJDEJUSTERING	SPRING
E-7	1	419295	MØTRIK M6	NUT M6
E-8	1	419258	PIN	PIN
E-9	4	421982	BOLT M5X12	BOLT M5X12
E-10	4	419263	MØTRIK M5	NUT M5
E-11	4	432580	GLIDEBØS FOR FORAKSEL	SHAFT SLEEVE
E-12	2	440223	AFSTANDSBØS	SHAFT SLEEVE
E-13	1	435519	STANG FOR HØJDEJUSTERING	HEIGHT ADJUSTMENT CONNECTING ROD
E-14	2	435515	KRAVE MED LEJE	SHAFT SLEEVE
E-15	2	439411	HJULKAPSEL 8"	"8"" OUTER WHEEL COVER"
E-16	2	439410	HJULKAPSEL 11"	11" OUTER WHEEL COVER
E-17	2	419297	HJUL, PLAST M/LEJER 200X50X12	WHEEL 200X50X12
E-18	2	452683	HJUL 11"	WHEEL
E-19	1	419249	BAGAKSEL	REAR AXLE
E-20	1	443438	AKSEL	FRONT WHEEL SHAFT
E-21	4	419266	SEEGERRING U12	RETAINER RING U12
E-22	2	419262	STIFT Ø5 MM / L 17 MM	PIN
E-23	1	419268	PALHJUL VENSTRE 15 TÆNDER	RATCHET WHEEL 15 TÆNDER
E-24	1	419269	PALHJUL HØJRE 15 TÆNDER	RATCHET WHEEL 15 TÆNDER
E-25	2	419267	SKIVE 12.5X24X1.5	WASHER 12.5X24X1.5
E-26	1	421759	KILEREM LI 737	BELT LI 737
E-27	1	440219	GEARBOX GT	GT GEARBOX
E-28	1	432578	FJEDER FOR GEAR	SPRING
E-29	2	419250	STØVDÆKSEL 11"	DUST CAP 11"
E-30	2	419350	STÅLBOLT M6X12	STEEL BOLT M6X12
E-31	2	419255	SKIVE 13.2X24.3	WASHER 13.2X24.3
F-1	1	435520	BØJLE	METAL BRACKET
F-2	2	419335	SKIVE 5X32X1,2	WASHER 5X32X1,2
F-3	4	419288	SKRUE ST4,8X12	SCREW ST4,8X12
F-4	2	435522	BESLAG	FIXED PLATE
F-5	1	439430	OPSAMLER TOP	PLASTIC COVER
F-6	1	419312	PLADE UNDER HÅNDTAG PLAST	PLATE
F-7	1	435524	COVER	HAND COVER
F-8	1	435525	INDIKATOR FOR FYLDE OPSAMLER	INDICATED BOARD
F-9	1	449014	OPSAMLERPOSE	FABRIC BAG