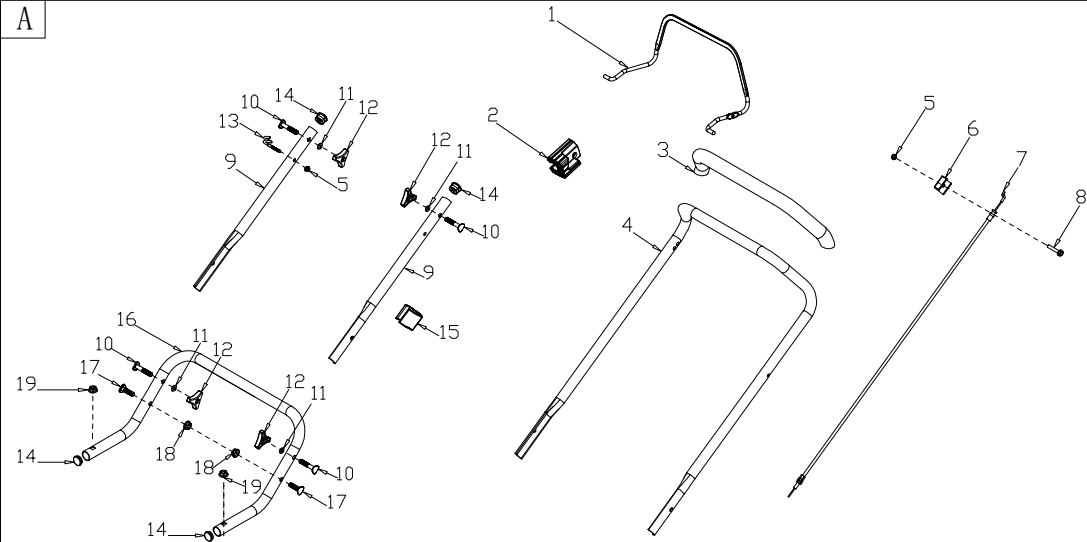
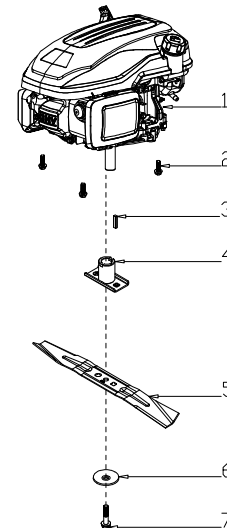


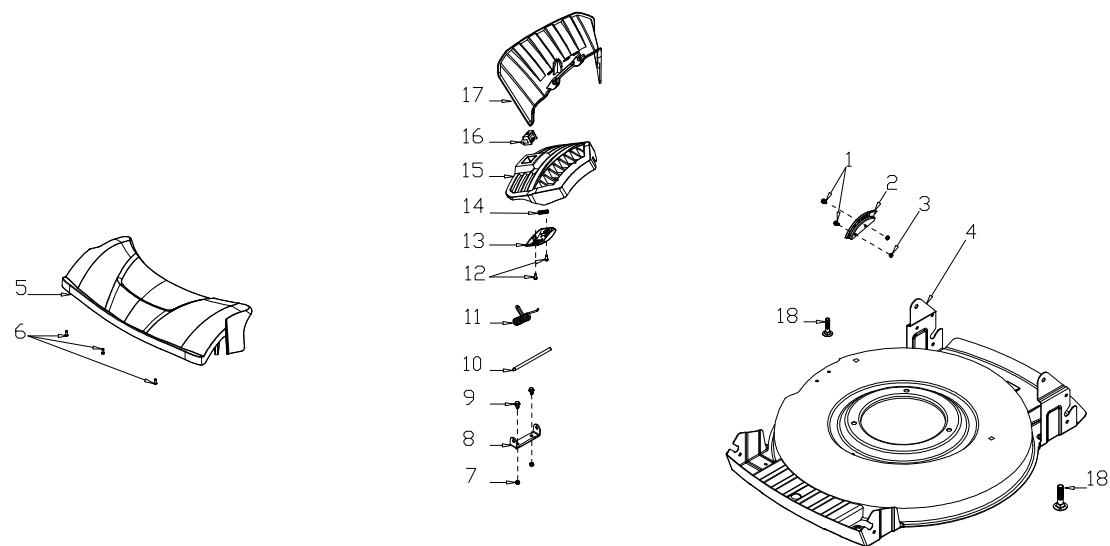
A



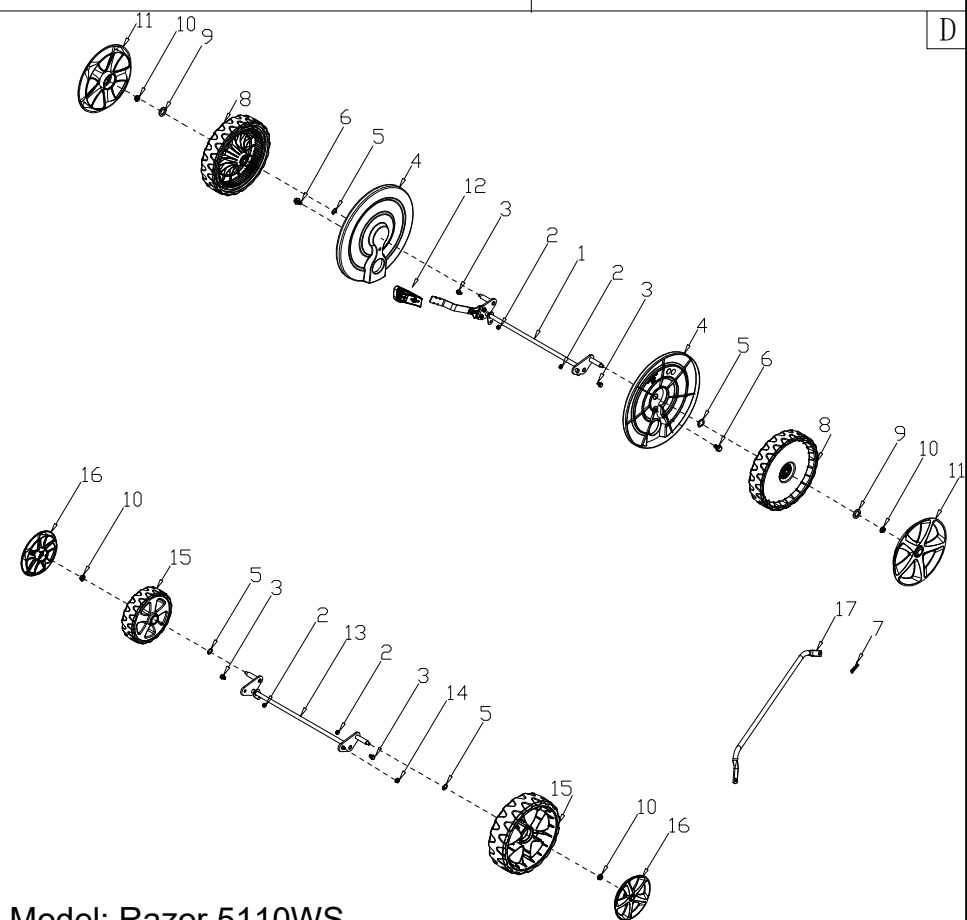
B



C



D



Model: Razor 5110WS
 Part number: 90066517
 Year: 2021

| POS | QTY | PARTNUMBER | BESKRIVELSE | DESCRIPTION |
|------|-----|------------|--------------------------------------|-----------------------------|
| A-1 | 1 | 443441 | BØJLE FOR STOP | BRAKE HANDLE |
| A-2 | 1 | 428853 | BESLAG MED STOP FOR BØJLER | BRACKET |
| A-3 | 1 | 419232 | SOFTGRIP | HANDLE |
| A-4 | 1 | 428855 | STYR ØVERST UDEN SOFTGRIP | HANDELBAR |
| A-5 | 2 | 419337 | LÅSEMØTRIK M6 | LOCKING NUT M6 |
| A-6 | 1 | 428856 | KABELHOLDER | CABLE HOLDER |
| A-7 | 1 | 443442 | STOPKABEL | BRAKE CABLE |
| A-8 | 1 | 421778 | BOLT M6X32 | BOLT M6X32 |
| A-9 | 2 | 448468 | MIDTERSTE HÅNDTAG | MIDDLE HANDLE |
| A-10 | 4 | 427152 | BRÆDDEBOLT M8X50 | BOLT M8X50 |
| A-11 | 4 | 419242 | SKIVE 8.5X16X1.54 | WASHER 8.5X16X1.54 |
| A-12 | 4 | 439369 | FINGERSKRUE MØRK SØLV | KNOB |
| A-13 | 1 | 419237 | HOLDER FOR STARTSNOR | HOLDER |
| A-14 | 4 | 419247 | PROP | PLUG |
| A-15 | 1 | 428883 | KABELHOLDER/CLIPS PLAST | CABLE HOLDER |
| A-16 | 1 | 448469 | NEDERSTE HÅNDTAG | LOWER HANDLE |
| A-17 | 2 | 419245 | BOLT M8X35 | BOLT M8X35 |
| A-18 | 2 | 419246 | MØTRIK M8 | NUT M8 |
| A-19 | 2 | 439963 | MØTRIK | NUT |
| B-1 | 1 | TG480 | TG480 | TG480 |
| B-2 | 3 | 419284 | BOLT M8X25 | BOLT M8X25 |
| B-3 | 1 | 427195 | NOT | KEY |
| B-4 | 1 | 427196 | KNIVHOLDER | BLADE HUB |
| B-5 | 1 | 427197 | KNIV 50CM | BLADE 20" |
| B-6 | 1 | 419292 | SKIVE FOR KNIV | WASHER |
| B-7 | 1 | 419293 | STÅLBOLT FOR KNIVHOLDER 3/8-24UNFX35 | STEEL BOLT |
| C-1 | 2 | 419350 | STÅLBOLT M6X12 | STEEL BOLT M6X12 |
| C-2 | 1 | 427191 | JUSTERSTYKKE FOR HØJDEJUSTERING | ADJUSTMENT PIECE |
| C-3 | 2 | 419273 | MØTRIK M6 | NUT M6 |
| C-4 | 1 | 448471 | KLIPPESKJOLD | DECK |
| C-5 | 1 | 427200 | FORSKÆRM SORT | FRONT MUDGUARD |
| C-6 | 3 | 419316 | SKRUE 4X15 | SCREW 4X15 |
| C-7 | 2 | 419263 | MØTRIK M5 | NUT M5 |
| C-8 | 1 | 419304 | BESLAG | BRACKET |
| C-9 | 2 | 421982 | BOLT M5X12 | BOLT M5X12 |
| C-10 | 1 | 419305 | AKSEL | SHAFT |
| C-11 | 1 | 432575 | FJEDER FOR UDKASTSKÆRM | SIDE DISCHARGE COVER SPRING |
| C-12 | 2 | 434588 | SKRUE ST4.2X12 | SCREW ST4.2X12 |
| C-13 | 1 | 439374 | DÆKSEL | COVER PLATE |
| C-14 | 1 | 439375 | FJEDER | SPRING |
| C-15 | 1 | 439376 | SKÆRM FOR BIOKLIP | SIDE DISCHARGE COVER |
| C-16 | 1 | 439377 | LÅS | LOCK |
| C-17 | 1 | 427199 | SIDEUDKASTER | EJECTOR |
| C-18 | 2 | 448472 | BOLT | BOLT |
| D-1 | 1 | 427192 | BAGAKSEL | REAR AXLE |
| D-2 | 4 | 419273 | MØTRIK M6 | NUT M6 |
| D-3 | 4 | 419350 | STÅLBOLT M6X12 | STEEL BOLT M6X12 |

| POS | QTY | PARTNUMBER | BESKRIVELSE | DESCRIPTION |
|------|-----|------------|---|-----------------------------|
| D-4 | 2 | 421755 | STØVDÆKSEL 10" | DUST CAP 10" |
| D-5 | 4 | 419251 | FJEDERSKIVE | SPRING COLLAR |
| D-6 | 2 | 419350 | STÅLBOLT M6X12 | STEEL BOLT M6X12 |
| D-7 | 1 | 419258 | PIN | PIN |
| D-8 | 2 | 421756 | BAGHJUL UDEN LEJE 10" | REAR WHEEL TIRE 10" |
| D-9 | 2 | 419255 | SKIVE 13.2X24.3 | WASHER 13.2X24.3 |
| D-10 | 4 | 419256 | MØTRIK M8 | NUT M8 |
| D-11 | 2 | 433237 | HJULKAPSEL 10" | 10" WHEEL COVER |
| D-12 | 1 | 433238 | HØJDEJUSTERINGSHÅNDDA G | HEIGHT ADJUSTMENT HANDLE |
| D-13 | 1 | 427194 | FORAKSEL | FRONT AXLE |
| D-14 | 1 | 419295 | MØTRIK M6 | NUT M6 |
| D-15 | 2 | 421766 | HJUL UDEN LEJER 175X50X12 | WHEEL 175X50X12 |
| D-16 | 2 | 433253 | HJULKAPSEL 7" | 7" WHEEL COVER |
| D-17 | 1 | 427193 | FORBINDELSESSTANG TIL FOR- OG BAGAKSEL | FILLING ROD |