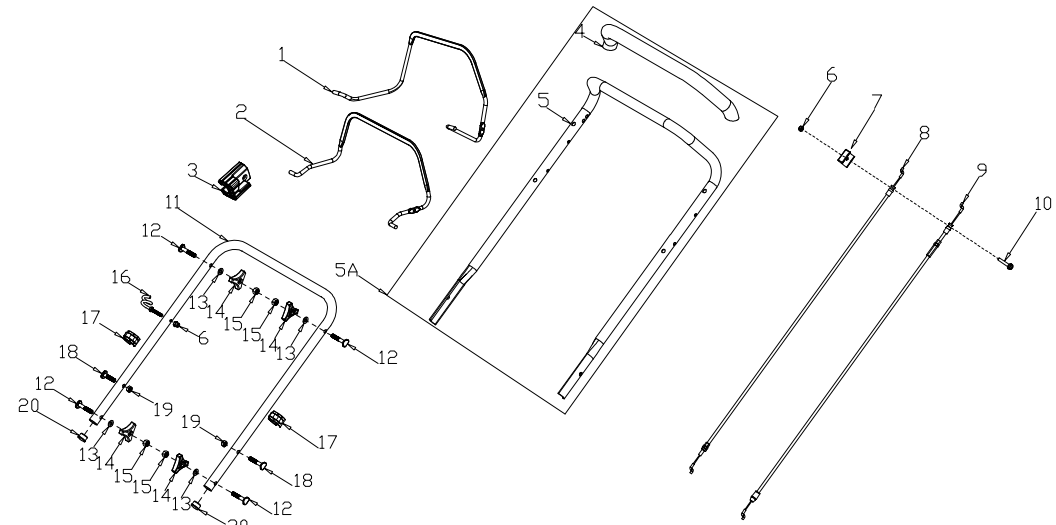
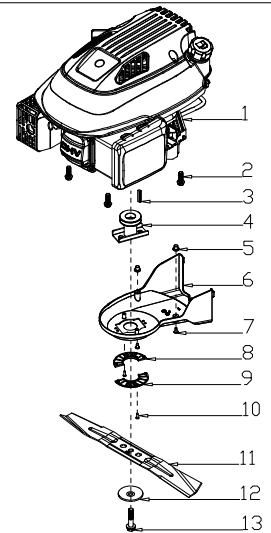


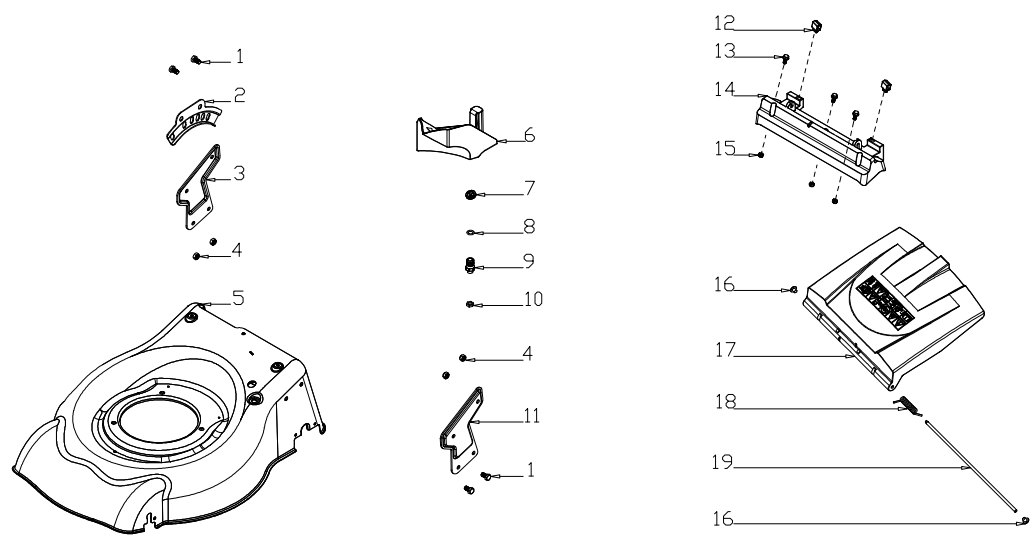
A



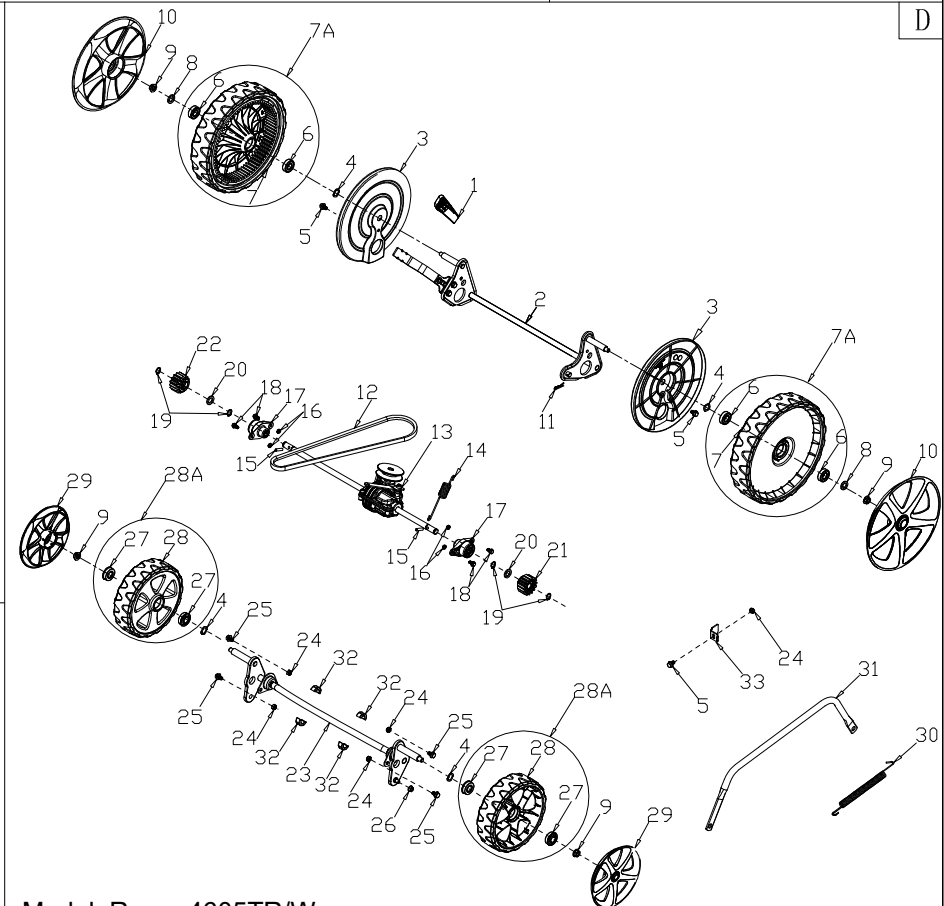
B



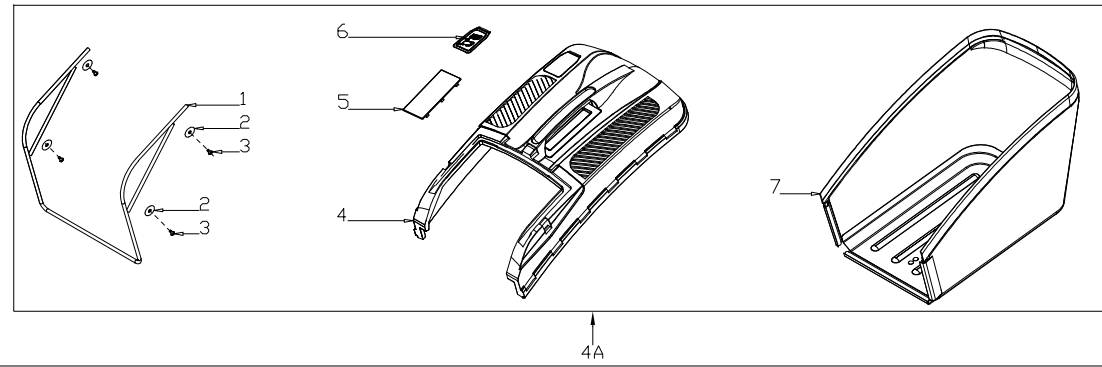
C



D



E



Model: Razor 4605TR/W
 Part Number: 90066507
 Year: 2018

| POS | QTY | PARTNUMBER | BESKRIVELSE | DESCRIPTION |
|------|-----|------------|------------------------------------|----------------------|
| A-1 | 1 | 432464 | KOBLINGSHÅNDTAG | CLUTCH LEVER |
| A-2 | 1 | 428852 | BØJLE FOR STOP | RING |
| A-3 | 1 | 428853 | BESLAG MED STOP FOR BØJLER | BRACKET |
| A-5A | 1 | 428854 | STYR ØVERST MED SOFTGRIP | HANDELBAR |
| A-4 | 1 | 419232 | SOFTGRIP | HANDLE |
| A-5 | 1 | 428855 | STYR ØVERST UDEN SOFTGRIP | HANDELBAR |
| A-6 | 2 | 419337 | LÅSEMØTRIK M6 | LOCKING NUT M6 |
| A-7 | 1 | 428856 | KABELHOLDER | CABLE HOLDER |
| A-8 | 1 | 428857 | STOPKABEL | STOP CABLE |
| A-9 | 1 | 432571 | KOBLINGSKABEL MED FJEDER 111/144CM | CLUTCH CABLE |
| A-10 | 1 | 427164 | BOLT M6X32 | BOLT M6X32 |
| A-11 | 1 | 428859 | STYRRØR NEDRE | HANDELBAR |
| A-12 | 4 | 427152 | BRÆDDEBOLT M8X50 | BOLT M8X50 |
| A-13 | 4 | 419242 | SKIVE 8.5X16X1.54 | WASHER 8.5X16X1.54 |
| A-14 | 4 | 419241 | FINGERSKRUE SØLV M8 | WING NUT |
| A-15 | 4 | 419240 | MØTRIK M8 | NUT M8 |
| A-16 | 1 | 419237 | HOLDER FOR STARTSNOR | HOLDER |
| A-17 | 2 | 428883 | KABELHOLDER/CLIPS PLAST | CABLE HOLDER |
| A-18 | 2 | 419245 | BOLT M8X35 | BOLT M8X35 |
| A-19 | 2 | 419246 | MØTRIK M8 | NUT M8 |
| A-20 | 2 | 419247 | PROP | PLUG |
| B-1 | 1 | TG470 | TG470 80MM SHAFT | TG470 ENGINE |
| B-2 | 3 | 419284 | BOLT M8X25 | BOLT M8X25 |
| B-3 | 1 | 419289 | NOT | NOT |
| B-4 | 1 | 435494 | KNIVHOLDER | BLADE ADAPTER |
| B-5 | 2 | 419286 | HÆTTE | HOOD |
| B-6 | 1 | 435673 | REMSKÆRM | BELT COVER |
| B-7 | 2 | 419288 | SKRUE ST4,8X12 | SCREW ST4,8X12 |
| B-8 | 1 | 435496 | AFDÆKNING | BELT COVER PLATE |
| B-9 | 1 | 435497 | AFDÆKNING | BELT COVER PLATE |
| B-10 | 2 | 428877 | SKRUE ST4,2X15 | SCREW ST4,2X15 |
| B-11 | 1 | 421764 | KNIV 46CM | BLADE 18" |
| B-12 | 1 | 419292 | SKIVE FOR KNIV | WASHER |
| B-13 | 1 | 428885 | KNIVBOLT 3/8-24UNFX35 | KNIFE BOLT 3/8X24UNF |
| C-1 | 4 | 419276 | BOLT M8X15 | BOLT M8X15 |
| C-2 | 1 | 421769 | HØJDEJUSTERING PLADE | HEIGHT ADJUSTMENT |
| C-3 | 1 | 419299 | STYRHOLDER HØJRE | GUIDE HOLDER |
| C-4 | 4 | 419246 | MØTRIK M8 | NUT M8 |
| C-5 | 1 | 432587 | KLIPPESKJOLD ST1.35 | DECK |
| C-6 | 1 | 421775 | BIOPLUG | MULCING PLUG |
| C-7 | 1 | 421761 | KRAVE | SLEEVE |
| C-8 | 1 | 419279 | O-RING 11X2.5 | O-RING 11X2.5 |
| C-9 | 1 | 427157 | VASKESTUDS | NOZZLE PIPE |
| C-10 | 1 | 427158 | MØTRIK PLASTIK M12X1,25 | NUT |
| C-11 | 1 | 419275 | STYRHOLDER VENSTRE VENSTRE | GUIDE HOLDER VENSTRE |
| C-12 | 2 | 419271 | BESLAG FOR BAGSKÆRM | BRACKET |
| C-13 | 3 | 419270 | BOLT M6X14 | BOLT M6X14 |

| POS | QTY | PARTNUMBER | BESKRIVELSE | DESCRIPTION |
|-------|-----|------------|--------------------------------------|------------------------------|
| C-14 | 1 | 419272 | HOLDER FOR BAGSKÆRM | HOLDER |
| C-15 | 3 | 419273 | MØTRIK M6 | NUT M6 |
| C-16 | 2 | 421741 | HÆTTE | HOOD |
| C-17 | 1 | 419303 | UDKASTERKLAP | DISCHARGE CHUTE |
| C-18 | 1 | 419302 | FJEDER | SPRING |
| C-19 | 1 | 419301 | AKSEL | SHAFT |
| C-20 | 1 | 436544 | DÆKSEL | COVER |
| D-1 | 1 | 428861 | HÅNDTAG FOR HØJDEJUSTERING | HANDLE |
| D-2 | 1 | 421754 | BAGAKSEL | SHAFT |
| D-3 | 2 | 421755 | STØVDÆKSEL 10" | DUST CAP 10" |
| D-4 | 4 | 419251 | FJEDERSKIVE | SPRING COLLAR |
| D-5 | 2 | 419252 | SÆTBOLT M6X10 | SET BOLT M6X10 |
| D-7A | 2 | 421757 | HJUL, PLAST M/TRÆK & LEJER 250X50X12 | WHEEL 250X50X12 |
| D-6 | 4 | 419253 | KUGLELEJE 12,7X28,575X7,9 | BALL BEARING 12,7X28,575X7,9 |
| D-7 | 2 | 421756 | BAGHJUL UDEN LEJE 10" | REAR WHEEL TIRE 10" |
| D-8 | 2 | 419255 | SKIVE 13.2X24.3 | WASHER 13.2X24.3 |
| D-9 | 4 | 419256 | MØTRIK M8 | NUT M8 |
| D-10 | 2 | 421758 | NAVKAPSEL SØLV | HUB CAP 10" |
| D-11 | 1 | 419258 | PIN | PIN |
| D-12 | 1 | 432576 | KILEREM LI650 | BELT LI650 |
| D-13 | 1 | 440601 | GEARBOX REP. KIT | GEARBOX REPLACEMENT KIT |
| D-14 | 1 | 432578 | FJEDER FOR GEAR | SPRING |
| D-15 | 2 | 419262 | STIFT Ø5 MM / L 17 MM | PIN |
| D-16 | 4 | 419263 | MØTRIK M5 | NUT M5 |
| D-17 | 2 | 435515 | KRAVE | SHAFT SLEEVE |
| D-18 | 4 | 439388 | BOLT M5X12 | BOLT |
| D-19 | 4 | 419266 | SEEGERRING U12 | RETAINER RING U12 |
| D-20 | 2 | 419267 | SKIVE 12.5X24X1.5 | WASHER 12.5X24X1.5 |
| D-21 | 1 | 419268 | PALHJUL VENSTRE 15 TÆNDER | RATCHET WHEEL 15 TÆNDER |
| D-22 | 1 | 419269 | PALHJUL HØJRE 15 TÆNDER | RATCHET WHEEL 15 TÆNDER |
| D-23 | 1 | 432579 | FORAKSEL | FRONT WHEEL SHAFT |
| D-24 | 4 | 419273 | MØTRIK M6 | NUT M6 |
| D-25 | 4 | 419350 | STÅLBOLT M6X12 | STEEL BOLT M6X12 |
| D-26 | 1 | 419295 | MØTRIK M6 | NUT M6 |
| D-27 | 4 | 419296 | HJULLEJE 12,6X28,6X8 | WHEEL BEARING 12,6X28,6X11 |
| D-28A | 2 | 421767 | HJUL, PLAST M/LEJE 175X50X12 | WHEEL 170X50X12 |
| D-28 | 2 | 421766 | HJUL UDEN LEJER 175X50X12 | WHEEL 175X50X12 |
| D-29 | 2 | 428864 | HJULKAPSEL 7" | WHEEL CAP |
| D-30 | 1 | 427159 | FJEDER TIL HØJDEJUSTERING | SPRING |
| D-31 | 1 | 421762 | FORBINDER SORT | CONNECTOR SORT |
| D-32 | 4 | 432580 | GLIDEBØS FOR FORAKSEL | SHAFT SLEEVE |
| D-33 | 1 | 432581 | MONTERINGSPLADE | LIMITING PLATE |
| E-1 | 1 | 425184 | BØJLE | RING |
| E-2 | 4 | 419335 | SKIVE 5X32X1,2 | WASHER 5X32X1,2 |

| POS | QTY | PARTNUMBER | BESKRIVELSE | DESCRIPTION |
|------|-----|------------|------------------------------|--------------------------------|
| E-3 | 4 | 419288 | SKRUE ST4,8X12 | SCREW ST4,8X12 |
| E-4A | 1 | 432582 | OPSAMLER KPL. | GRASS-COLLECTOR |
| E-4 | 1 | 421774 | COVER ØVERST FOR OPSAMLER | UPPER COVER OF 65L PLASTIC BAG |
| E-5 | 1 | 419312 | PLADE UNDER HÅNDTAG PLAST | PLATE |
| E-6 | 1 | 419313 | INDIKATOR FOR FYLDT OPSAMLER | INDIKATOR LID FOR GRASSBOX |
| E-7 | 1 | 432583 | OPSAMLERPOSE | FABRIC BAG |