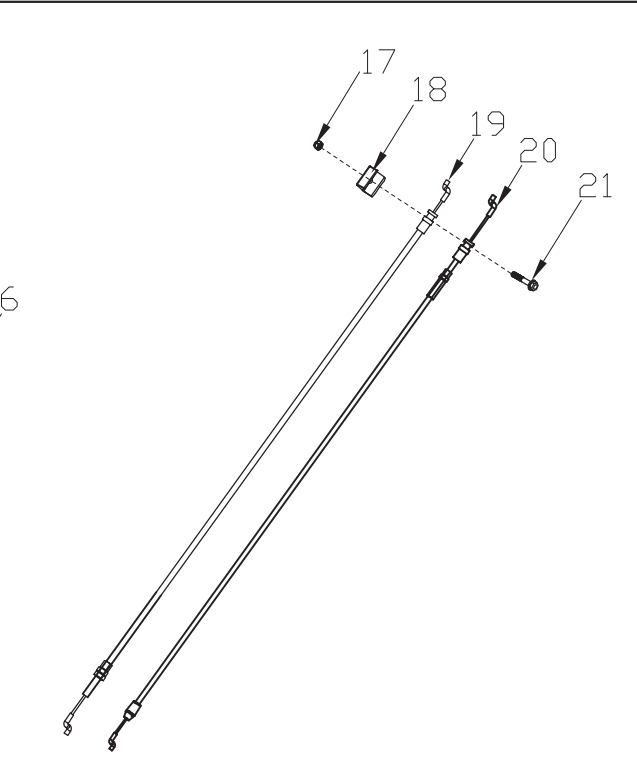
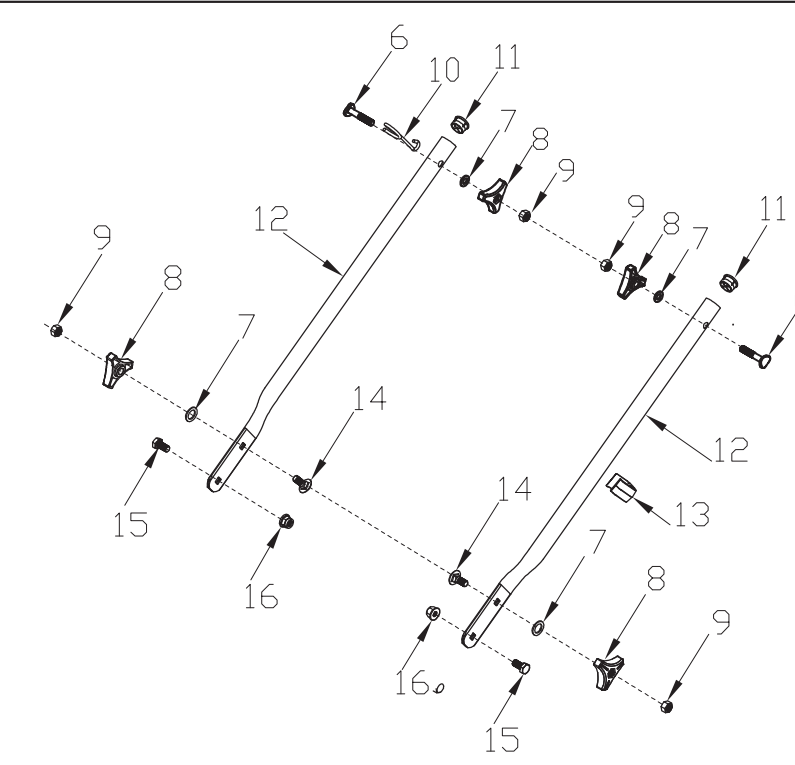
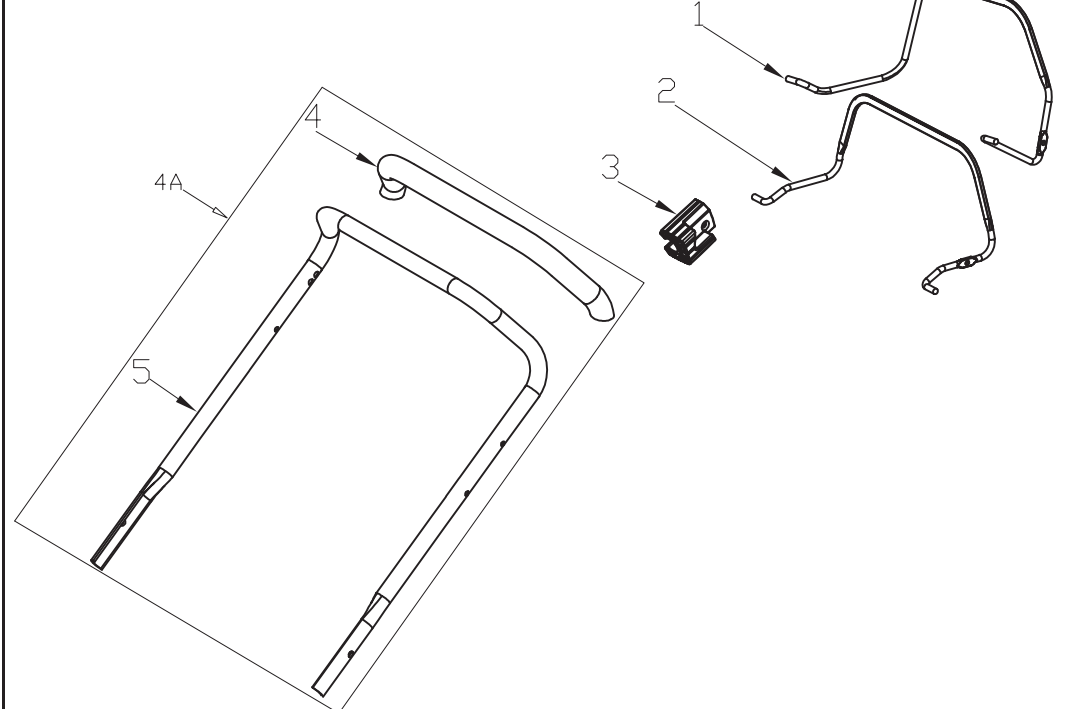
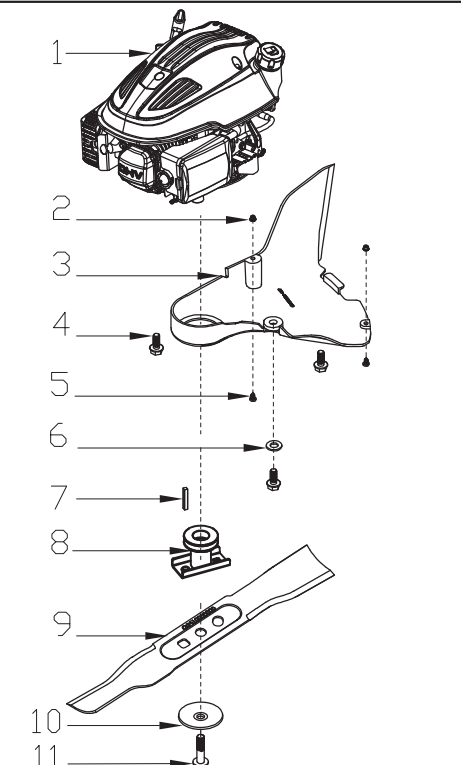


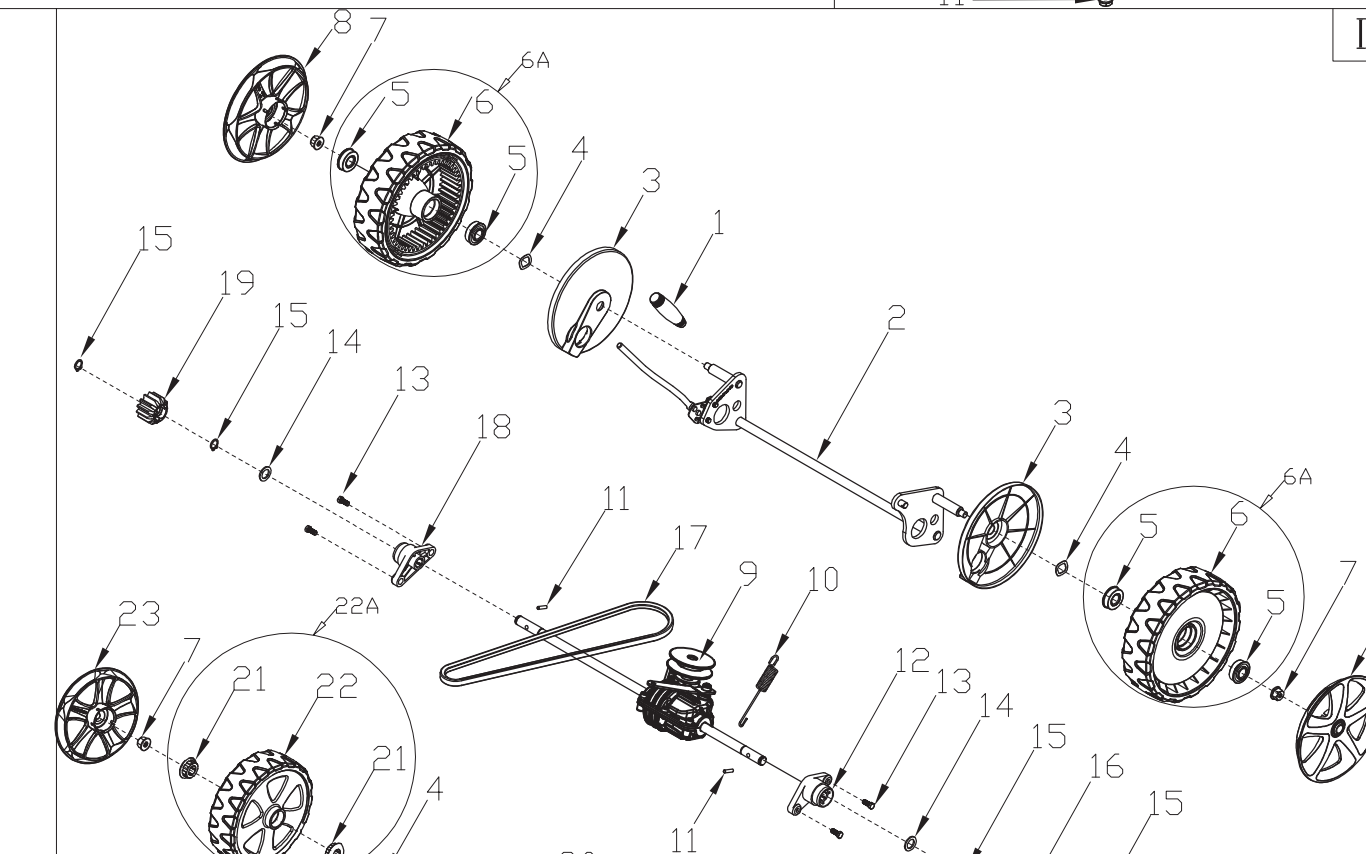
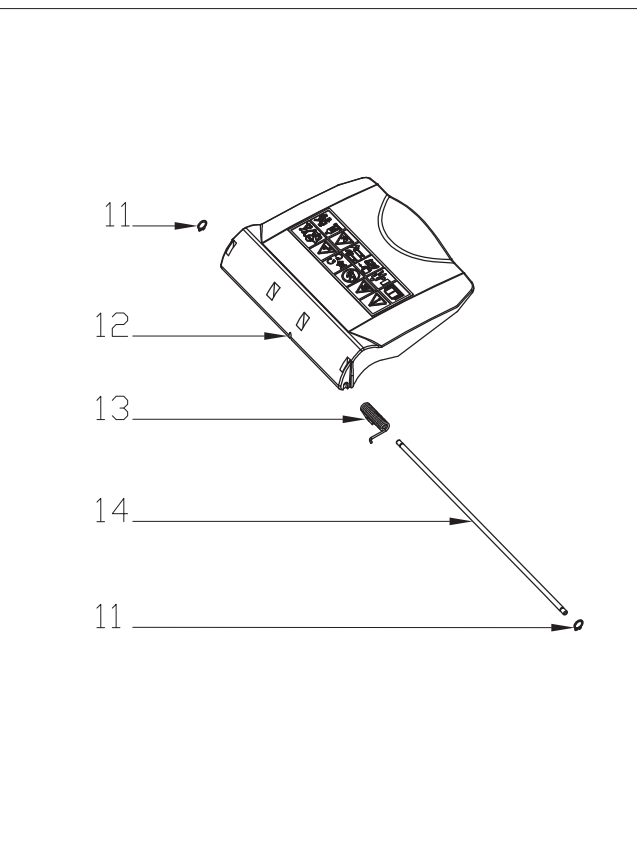
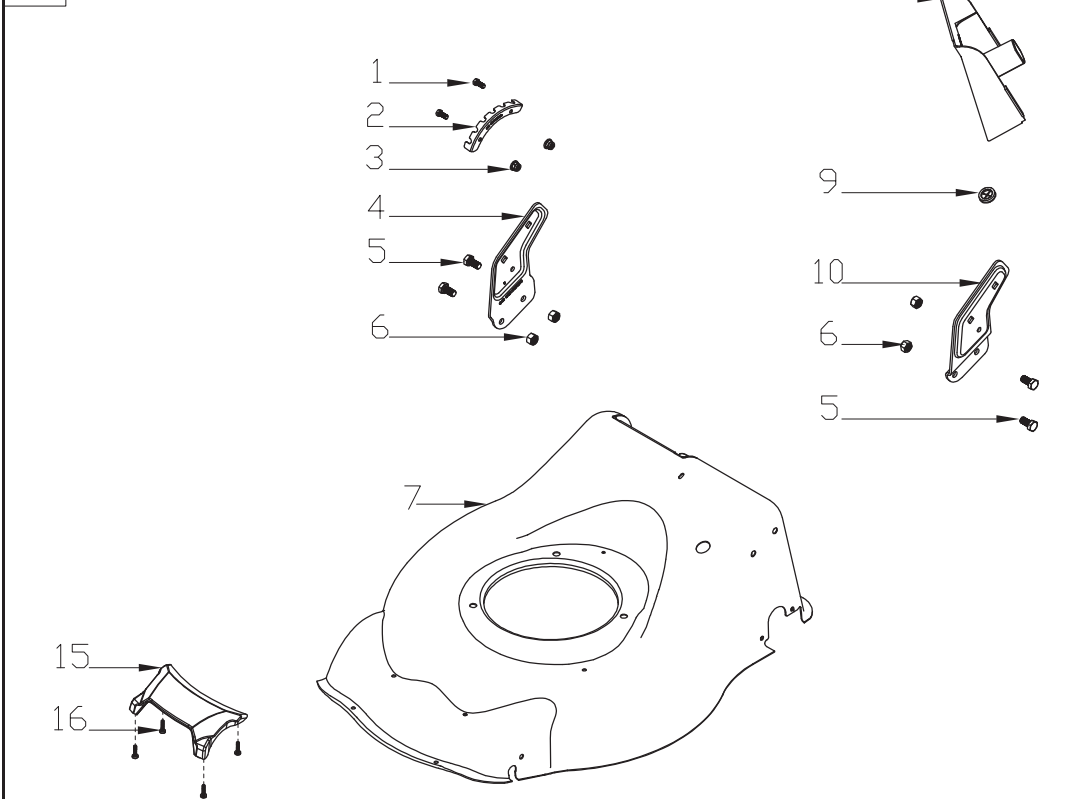
A



B

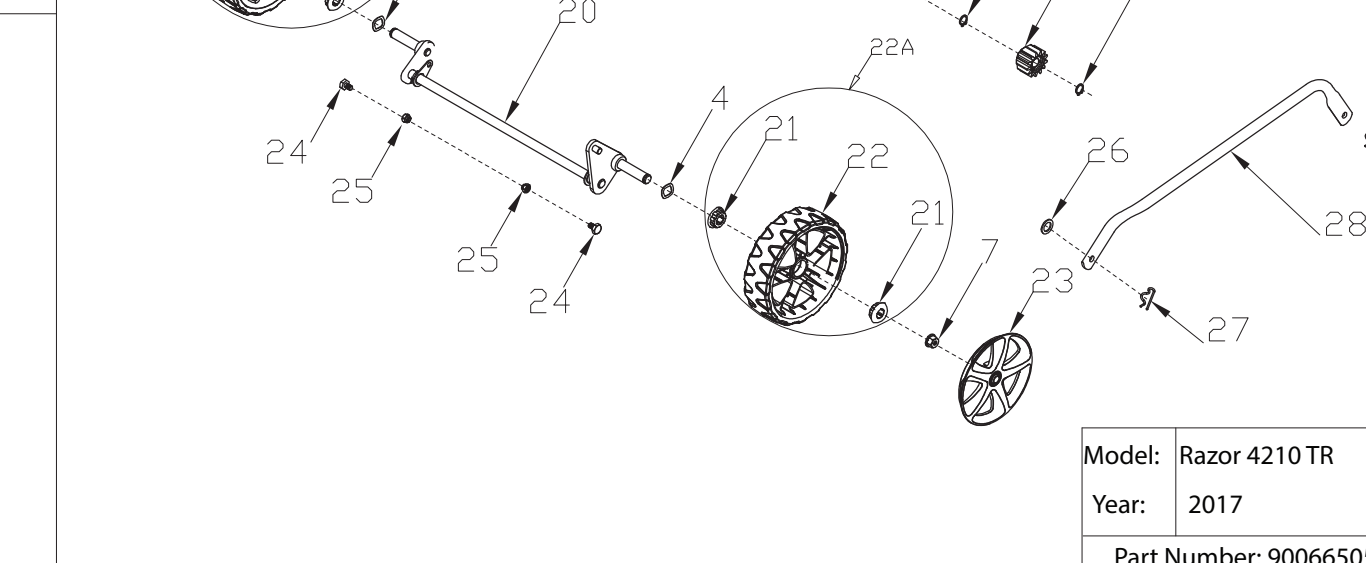
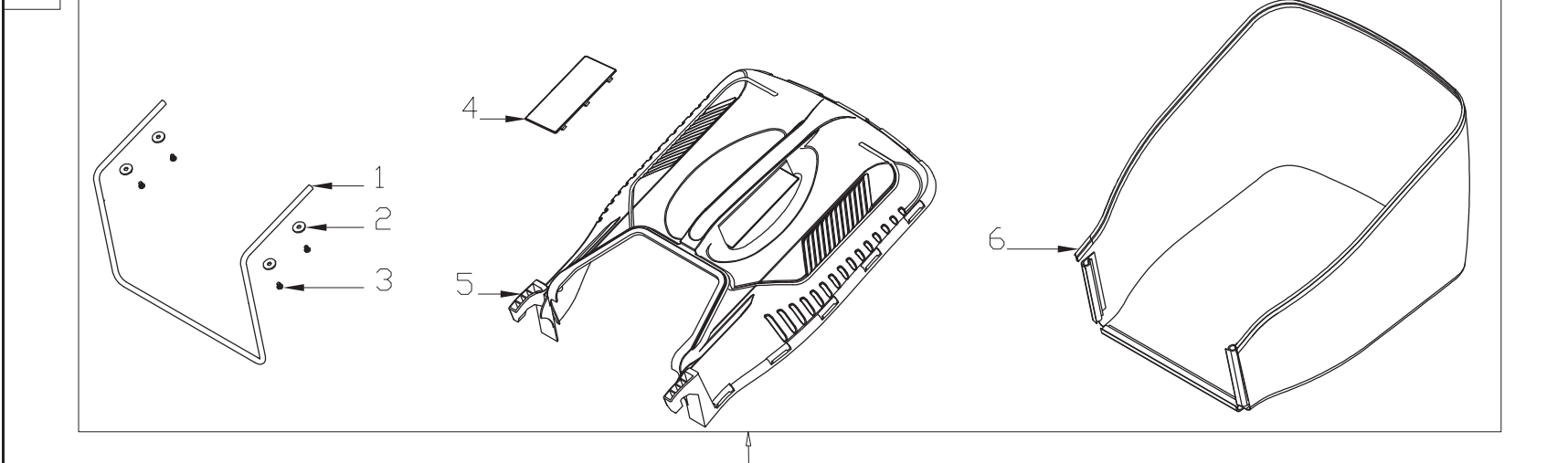


C



D

E



Model:	Razor 4210 TR
Year:	2017
Part Number:	90066505

POS	QTY	PARTNUMBER	BESKRIVELSE	DESCRIPTION
A-1	1	433243	KOBLINGSHÅNDTAG	CLUTCH LEVER
A-2	1	433228	STOP HÅNDTAG	BRAKE LEVER
A-3	1	428853	BESLAG MED STOP FOR BØJLER	BRACKET
A-4A	1	433258	ØVERSTE HÅNDTAG KPL.	UPPER HANDLE ASSY
A-4	1	435622	SOFTGRIP	FOAM PIPE
A-5	1	433259	ØVRE STYR KPL.	UPPER HANDLE
A-6	2	427152	BOLT M8X50	BOLT M8X50
A-7	4	419242	SKIVE 8.5X16X1.54	WASHER 8.5X16X1.54
A-8	4	433232	KNOP	KNOB
A-9	4	419240	MØTRIK M8	NUT M8
A-10	1	435623	HOLDER FOR STARTSNOR	ROPE GUIDE
A-11	2	435624	PROP	HANDLE PLUG
A-12	2	435625	STYR UNDER	LOWER HANDLE
A-13	1	419244	KABELHOLDER	CABLE HOLDER
A-14	2	435626	BRÆDEBOLT	BOLT
A-15	2	419276	BOLT M8X15	BOLT M8X15
A-16	2	419246	MØTRIK M8	NUT M8
A-17	1	419235	MØTRIK M6	NUT M6
A-18	1	428856	KABELHOLDER	CABLE HOLDER
A-19	1	435627	KABEL STOP	BRAKE CABLE
A-20	1	432571	KABEL KOBLING	CLUTCH CABLE
A-21	1	421778	BOLT M6X32	BOLT M6X32
B-1	1	TG170	TG170	
B-2	2	419286	HÆTTE	HOOD
B-3	1	435629	REMSKÆRM	BELT COVER
B-4	3	419284	BOLT M8X25	BOLT M8X25
B-5	2	419288	SKRUE ST4,8X12	SCREW ST4,8X12
B-6	1	435630	SKIVE	FLAT WASHER
B-7	1	419289	NOT	NOT
B-8	1	435494	KNIVHOLDER	BLADE ADAPTER
B-9	1	435631	KNIV	17" BLADE
B-10	1	419292	SKIVE FOR KNIV	WASHER
B-11	1	428885	KNIVBOLT 3/8X24UNF	KNIFE BOLT 3/8X24UNF
C-1	2	419252	SÆTBOLT M6X10	SET BOLT M6X10
C-2	1	435632	HØJDEJUSTERING PLADE	HEIGHT ADJUSTMENT PLATE
C-3	2	419273	MØTRIK M6	NUT M6
C-4	1	435633	STYRHOLDER HØJRE	RIGHT BRACKET
C-5	4	419276	BOLT M8X15	BOLT M8X15
C-6	4	419246	MØTRIK M8	NUT M8
C-7	1	435634	SKJOLD	DECK
C-8	1	435635	BIOPLUG	MULCHING PLUG
C-9	1	421761	KRAVE	SLEEVE
C-10	1	435636	STYRHOLDER VENSTRE	LEFT BRACKET
C-11	2	435637	LÅSERING	LOCK RING
C-12	1	435638	UDKASTERKLAP	REAR COVER
C-13	1	435639	FJEDER	REAR COVER SPRING
C-14	1	435640	AKSEL	REAR COVER SHAFT
C-15	1	435663	FORSKÆRM	CLUTCH LEVER
C-16	4	435664	SKRUE ST4.2X9.5-F-H	BRAKE LEVER

POS	QTY	PARTNUMBER	BESKRIVELSE	DESCRIPTION
D-1	1	435641	HÅNDTAG	HEIGHT ADJUSTMENT HANDLE
D-2	1	435642	BAGAKSEL	REAR WHEEL SHAFT ASSY
D-3	2	435643	STØVDÆKSEL	INNER WHEEL COVER
D-4	4	419251	FJEDERSKIVE	SPRING COLLAR
D-6A	2	435644	HJUL KPL. 7"	7" WHEEL ASSY WITH BEARINGS
D-5	4	419296	HJULLEJE 12,6X28,6X8	WHEEL BEARING 12,6X28,6X11
D-6	2	435645	HJUL 7"	7" WHEEL
D-7	2	419256	MØTRIK M8	NUT M8
D-8	2	433239	7" HJULKAPSEL	7" WHEEL COVER
D-9	1	435646	GEAR	GEARBOX
D-10	1	435647	FJEDER	SPRING
D-11	2	419262	STIFT	PIN
D-12	1	435648	KRAVE VENSTRE	SHAFT SLEEVE
D-13	4	421982	BOLT M5X12	BOLT M5X12
D-14	2	419255	SKIVE 13.2X24.3	WASHER 13.2X24.3
D-15	4	435649	LÅSERING	LOCK RING
D-16	1	421984	PALHJUL VENSTRE 13 TÆNDER	RATCHET WHEEL 13 TÆNDER
D-17	1	435650	KILEREM	BELT LI620
D-18	1	435651	KRAVE HØJRE	SHAFT SLEEVE
D-19	1	421985	PALHJUL HØJRE 13 TÆNDER	RATCHET WHEEL 13 TÆNDER
D-20	1	435652	FORAKSEL	FRONT WHEEL SHAFT
D-22A	2	435653	FORHJUL KPL. 6"	6" WHEEL ASSY WITH BEARINGS
D-21	4	435654	LEJE	PRECURSOR AXLE
D-22	2	435655	FORHJUL 6"	6" WHEEL
D-23	2	435656	HJULKAPSEL	6" OUTER WHEEL COVER
D-24	2	419252	SÆTBOLT M6X10	SET BOLT M6X10
D-25	2	419273	MØTRIK M6	NUT M6
D-26	1	419242	SKIVE 8.5X16X1.54	WASHER 8.5X16X1.54
D-27	2	419258	PIN	PIN
D-28	1	435657	STANG HØJDEJUSTERING	HEIGHT ADJUSTMENT CONNECTING ROD
E-1	1	435658	BØJLE	METAL BRACKET
E-2	4	419335	SKIVE 5X32X1,2	WASHER 5X32X1,2
E-3	4	434556	SKRUE ST4.2X9.5	SCREW ST4.2X9.5
E-4	1	435659	PLADE	COVER PLATE
E-5A	1	435660	OPSAMLER KPL.	GRASS COLLECTOR
E-5	1	435661	OPSAMLER TOP	PLASTIC COVER
E-6	1	435662	OPSAMLER POSE	FABRIC BAG