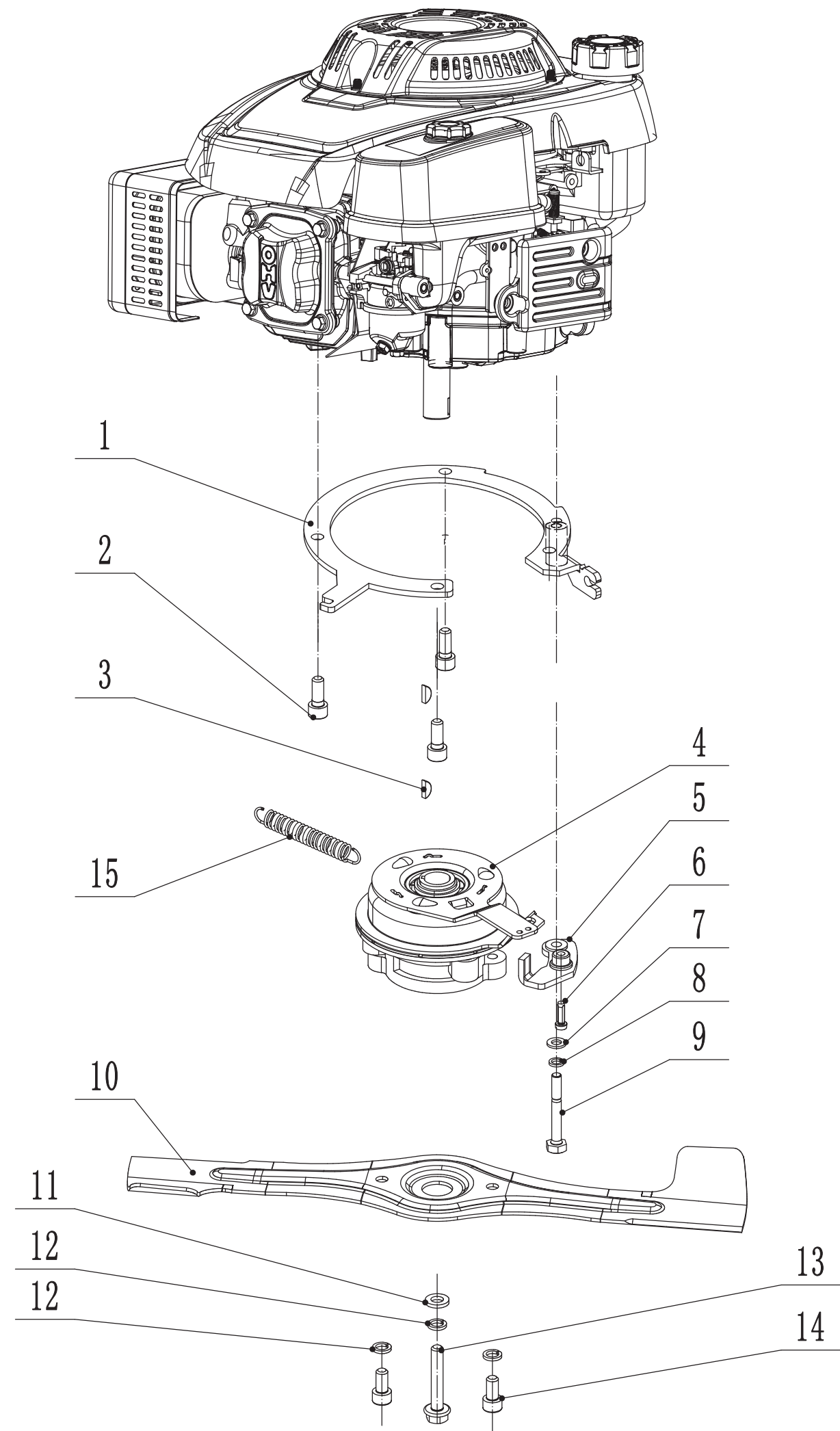
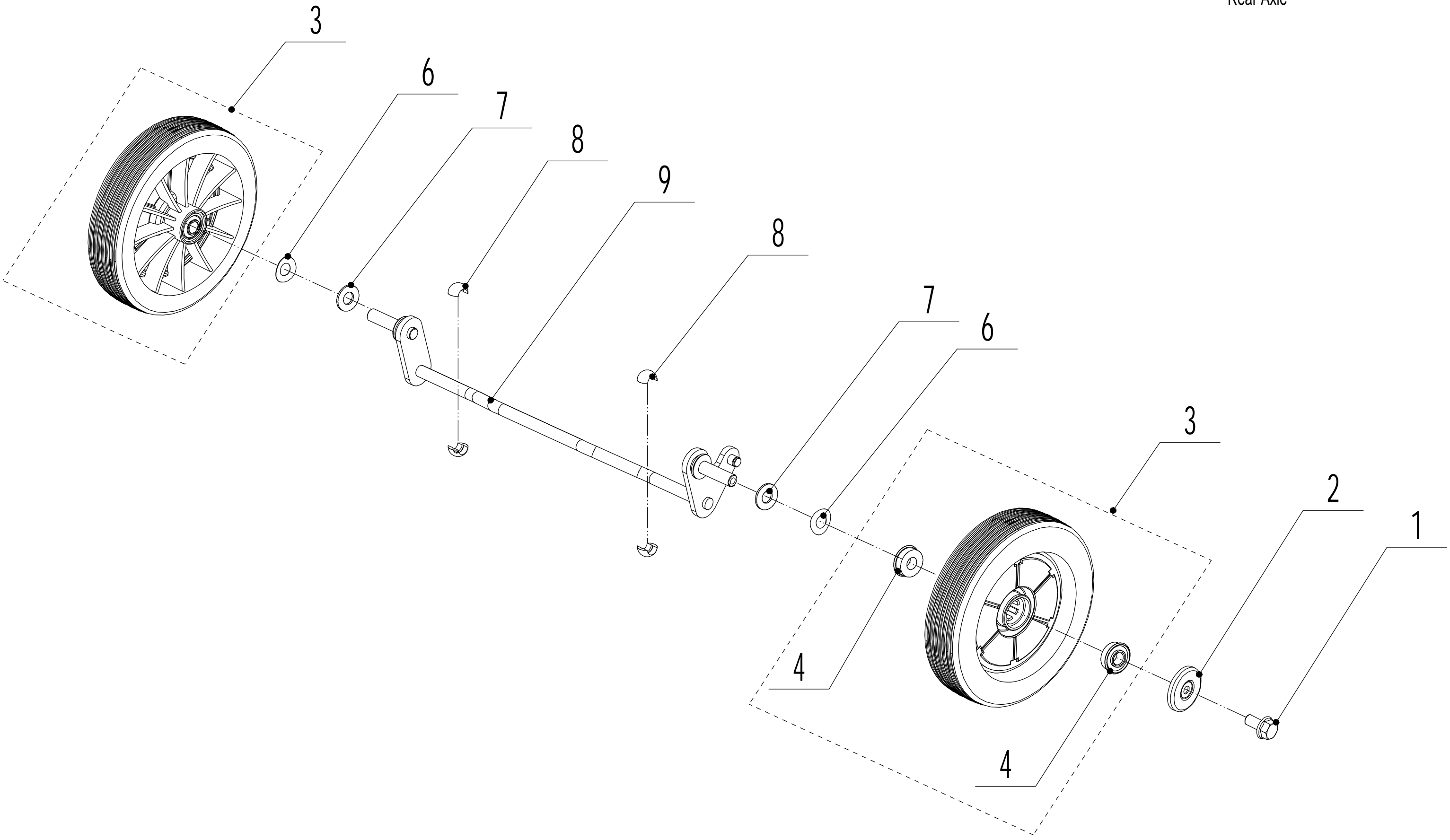


| POS | QTY | PARTNUMBER | BESKRIVELSE | DESCRIPTION |
|-----|-----|------------|------------------|-----------------------|
| 1 | 1 | 435966 | CHASSIS | CHASSIS |
| 2 | 1 | 435926 | INNER COVER | INNER ARC PLATE |
| 3 | 2 | 435927 | PYNTELISTE | OUTSIDE SKIRT |
| 4 | 15 | 435801 | LÅAEMØTRIK | LOCK NUT |
| 5 | 4 | 435799 | BOLT | BOLT |
| 6 | 3 | 435826 | SKRUE | SCREW |
| 7 | 2 | 435822 | BESLAG | FRONT BEARING BRACKET |
| 8 | 11 | 435802 | SKRUE | SCREW |
| 9 | 4 | 435799 | BOLT | BOLT |
| 10 | 1 | 435928 | KOFANGER | BUMPER WELDMENT |
| 11 | 4 | 435827 | SKRUE | SCREW |
| 12 | 1 | 435929 | COVER | LOWER DEFLECTOR |
| 13 | 2 | 435821 | AFSTANDSSKIVE | SPACER |
| 14 | 2 | 435820 | LÅSERING | CHECK RING |
| 15 | 1 | 435930 | FORBINDERSTANG | CONNECTOR ROD |
| 16 | 1 | 435802 | SKRUE | SCREW |
| 17 | 1 | 435931 | FJEDER | CONNECTING ROD SPRING |
| 18 | 2 | 435817 | BESLAG | UPPER BEARING BRACKET |
| 19 | 1 | 435932 | UDKASTERSKÆRM | REAR DEFLECTOR |
| 20 | 1 | 435933 | AKSEL | REAR DEFLECTOR PIVOT |
| 21 | 6 | 435801 | LÅAEMØTRIK | LOCK NUT |
| 22 | 1 | 435815 | BESLAG VENSTRE | LEFT BRACKET |
| 23 | 4 | 435967 | FLANGE BOLT | HEXAGON FLANGE BOLT |
| 24 | 2 | 435806 | BOLT | BOLT |
| 25 | 1 | 435813 | BESLAG | BRACKET |
| 26 | 2 | 435799 | BOLT | BOLT |
| 27 | 1 | 435934 | FJEDER | SPRING |
| 28 | 1 | 435935 | AKSEL | AXLE |
| 29 | 1 | 435936 | BAG COVER | REAR COVER |
| 30 | 2 | 435802 | SKRUE | SCREW |
| 31 | 1 | 435968 | BESKYTTELSESKÆRM | UPPER SHIELD |
| 32 | 1 | 435805 | BESLAG HØJRE | RIGHT BRACKET |



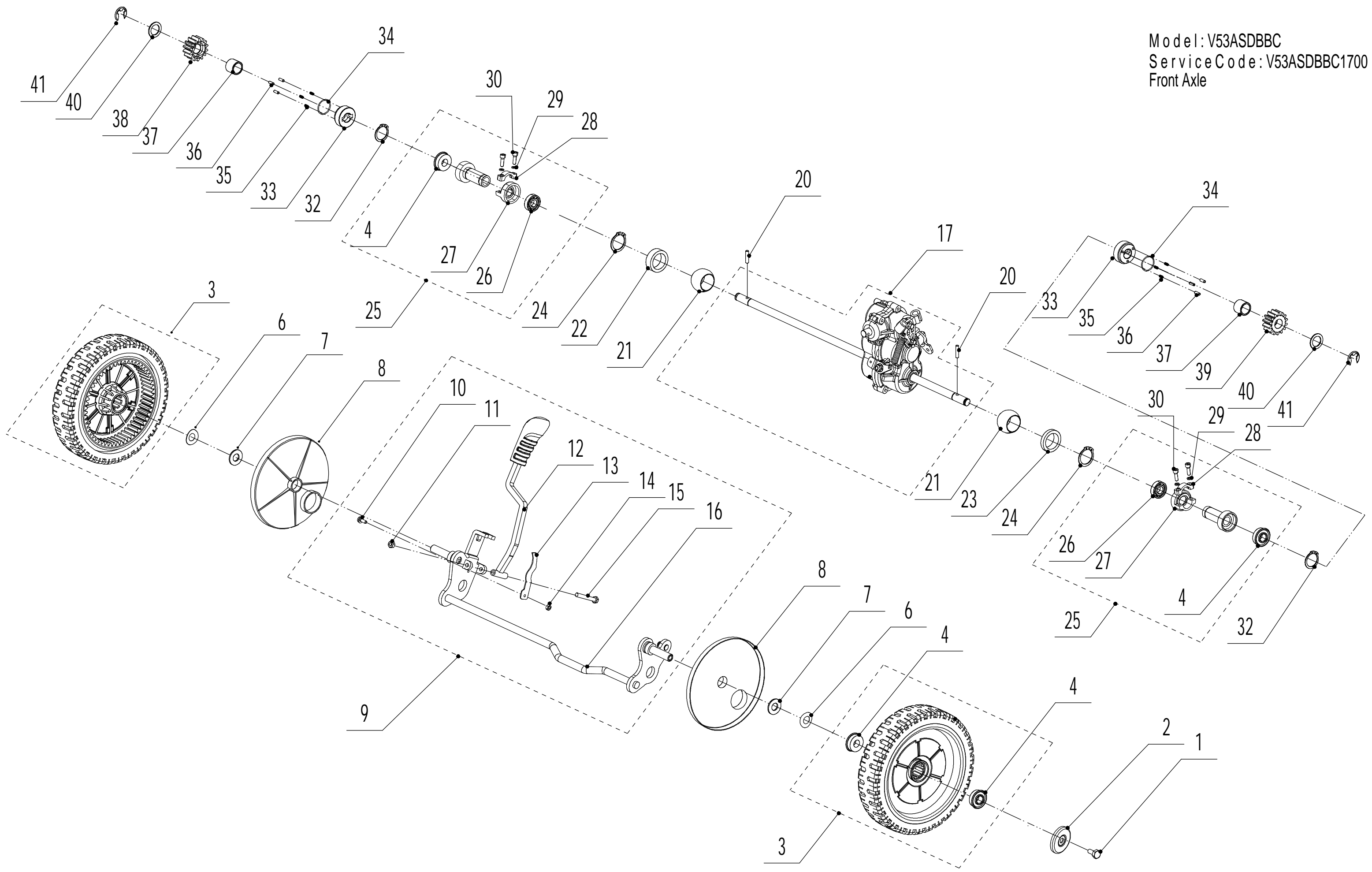
| POS | QTY | PARTNUMBER | BESKRIVELSE | DESCRIPTION |
|-----|-----|------------|--------------------------------|------------------------|
| 1 | 1 | 435969 | BESLAG | BRACKET |
| 2 | 3 | 435970 | SKRUE 3/8X16X28 | SCREW-3/8X16X28 |
| 3 | 2 | 406365 | NOT HALVCIRKEL M4X6.5X15.35 | KEY M4X6.5X15.35 |
| 4 | 1 | 435971 | KOBLING | BBC CLUTCH |
| 5 | 1 | 435972 | RAMME | BBC FIXED FRAME |
| 6 | 1 | 435973 | SKRUE M6X20 | SCREW-M6x20 |
| 7 | 1 | 435974 | SKIVE M8 | WASHER-M8 |
| 8 | 1 | 435975 | FJEDERSKIVE M8 | SPRING WASHER-M8 |
| 9 | 1 | 435976 | BOLT M8X65 | BOLT-M8x65 |
| 10 | 1 | 435977 | KNIV | BLADE |
| 11 | 1 | 435978 | PAKNING | CENTRAL GASKET |
| 12 | 3 | 435979 | FJEDERSKIVE M10 | SPRING WASHER-M10 |
| 13 | 1 | 435980 | BOLT 3/8X24X51 | CENTRAL BOLT-3/8x24x51 |
| 14 | 2 | 435981 | SKRUE M10X20 | SCREW- M10x20 |
| 15 | 1 | 435982 | FJEDER | SPRING |

Model: V53ASDBBC
Service Code: V53ASDBBC 1700
Rear Axle

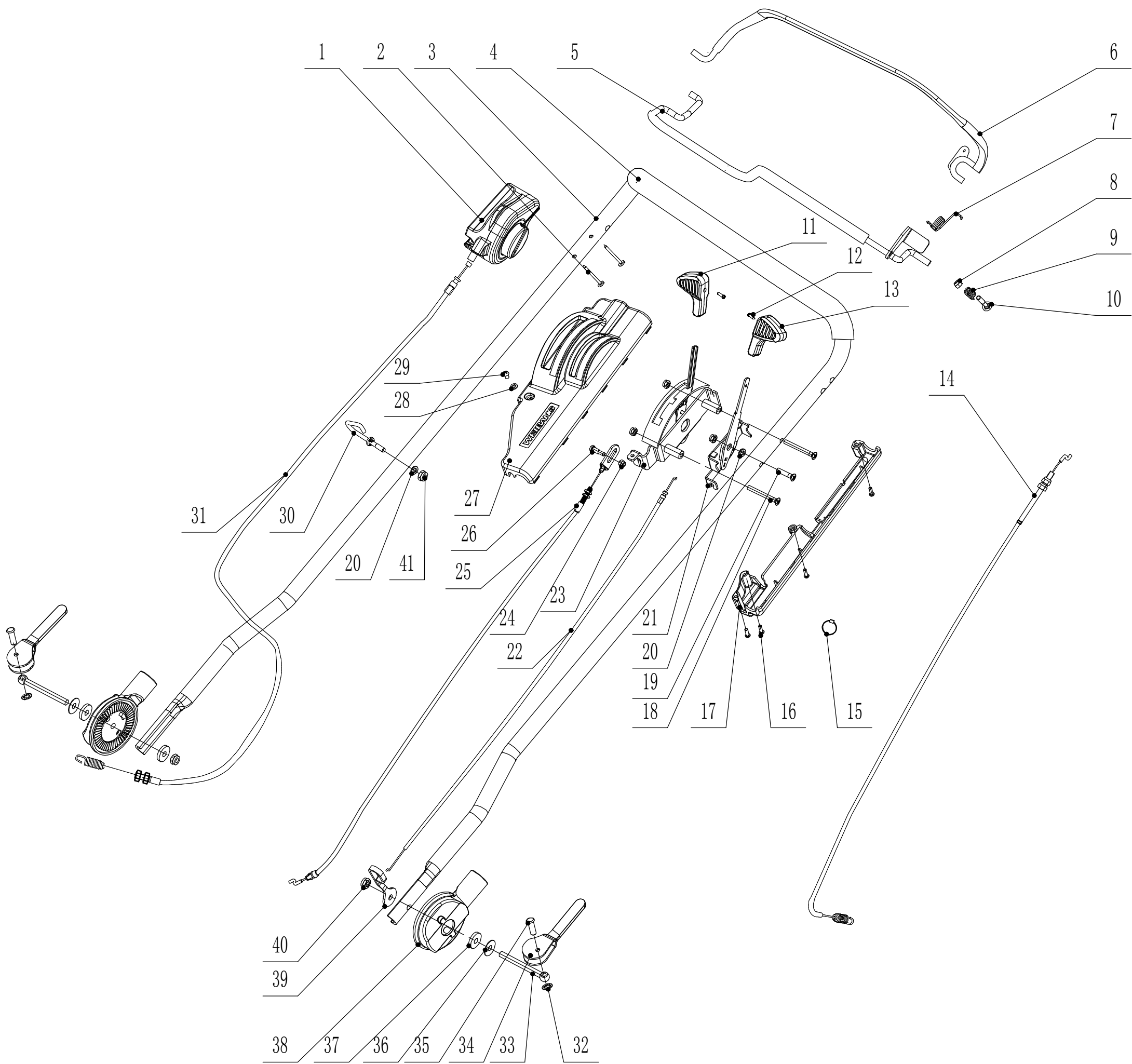


| POS | QTY | PARTNUMBER | BESKRIVELSE | DESCRIPTION |
|-----|-----|------------|--------------------|----------------------|
| 1 | 2 | 435855 | BOLT | BOLT |
| 2 | 2 | 435849 | KAPSEL | HUB CAP |
| 3 | 2 | 435850 | "8"" HJUL KOMPLET" | "8"" WHEEL ASSEMBLY" |
| 4 | 4 | 435851 | LEJE | BEARING |
| 5 | 2 | 435850 | "8"" HJUL KOMPLET" | "8"" WHEEL ASSEMBLY" |
| 6 | 2 | 435852 | FJEDER SKIVE | SPRING WASHER |
| 7 | 2 | 435853 | AFSTANDSSKIVE | SPACER |
| 8 | 4 | 406359 | BØS | BUSHING |
| 9 | 1 | 435940 | FRONT AKSEL | FRONT AXLE WELDMENT |

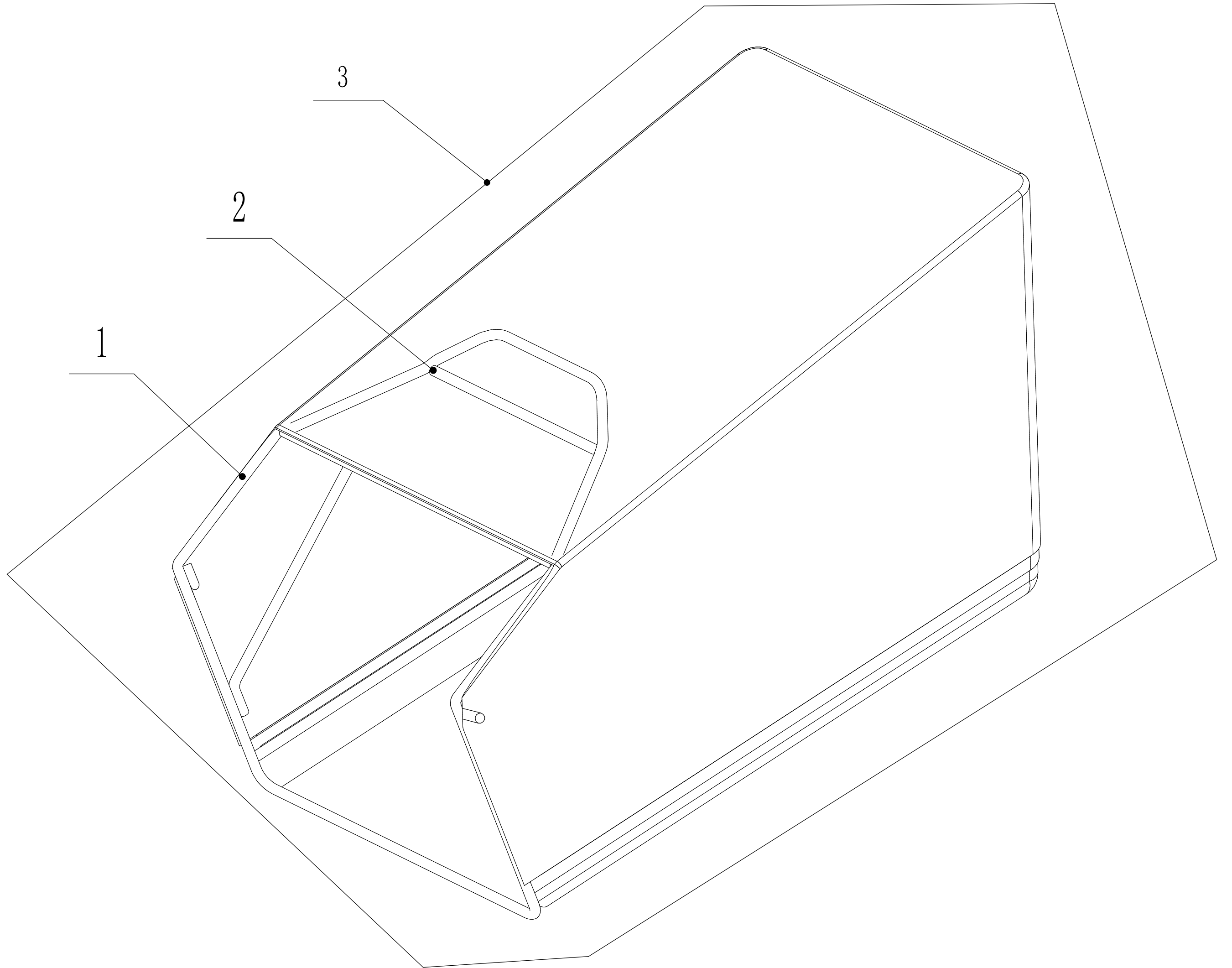
Model: V53ASDBBC
Service Code: V53ASDBBC1700
Front Axle



| POS | QTY | PARTNUMBER | BESKRIVELSE | DESCRIPTION |
|-----|-----|------------|-------------------------------|------------------------------|
| 1 | 2 | 435855 | BOLT | BOLT |
| 2 | 2 | 435849 | KAPSEL | HUB CAP |
| 3 | 2 | 435941 | "9" BAGHJUL | "9"" REAR WHEEL" |
| 4 | 6 | 435851 | LEJE | BEARING |
| 6 | 2 | 435852 | FJEDER SKIVE | SPRING WASHER |
| 7 | 2 | 435853 | AFSTANDSSKIVE | SPACER |
| 8 | 2 | 435942 | STØVCOVER | ANTI-DUST SHIELD |
| 10 | 1 | 435858 | BOLT | BOLT |
| 11 | 1 | 435801 | LÅAEMØTRIK | LOCK NUT |
| 12 | 1 | 435859 | HÅNDTAG FOR HØJDEJUSTERING | LEVER |
| 13 | 1 | 435860 | FJEDER | SPRING |
| 14 | 1 | 435861 | LÅSE MØTRIK | LOCK NUT |
| 15 | 1 | 435862 | BOLT | BOLT |
| 16 | 1 | 435944 | BAGAKSEL | REAR AXLE WELDMENT |
| 17 | 1 | 435983 | GEARKASSE KOMPLET | TRANSMISSION ASSEMBLY |
| 18 | 1 | 435984 | DRIVEAKSEL | SHAFT-DRIVE TRANSMISSION |
| 19 | 1 | 435985 | GEARKASSE AKSEL | TRANSMISSION AXLE |
| 20 | 2 | 435878 | PIN | PIN |
| 21 | 2 | 435876 | LEJE | BEARING |
| 22 | 1 | 435880 | AFSTANDSSKIVE | SPACER |
| 23 | 1 | 435875 | AFSTANDSSKIVE | LEFT SPACER |
| 24 | 2 | 435874 | LÅSERING | CHECK RING |
| 25 | 2 | 435986 | LEJE KOMPLET | BEARING SLEEVE ASSEMBLY |
| 26 | 2 | 435948 | LEJE | DEEP GROOVE BALL BEARING |
| 27 | 2 | 435949 | LEJE BLOK | BEARING BLOCK |
| 28 | 2 | 435950 | BESLAG | BEARING BLOCK GLAND |
| 29 | 4 | 435951 | FJEDERSKIVE | SPRING WASHER 5 |
| 30 | 4 | 435952 | SKRUE | HEXAGON SOCKET CAP SCREWS |
| 31 | 1 | 435953 | VESTRE LEJE | LEFT BEARING SHEATH |
| 32 | 2 | 435872 | LÅSERING | CHECK RING |
| 33 | 2 | 435871 | LÅSEPINSBESLAG | PIN BRACKET |
| 34 | 2 | 435870 | O-RING | O-RING |
| 35 | 6 | 435869 | FJEDER | SPRING |
| 36 | 6 | 435868 | PIN | PIN |
| 37 | 2 | 435866 | LEJE | BEARING |
| 38 | 1 | 435881 | HØJRE GEARHJUL | RIGHT PINION |
| 39 | 1 | 435867 | VENSTRE GEARHJUL | LEFT PINION |
| 40 | 2 | 435865 | AFSTANDSSKIVE | SPACER |
| 41 | 2 | 435864 | LÅSERING | CHECK RING |



| POS | QTY | PARTNUMBER | BESKRIVELSE | DESCRIPTION |
|-----|-----|------------|------------------------------|-----------------------------|
| 1 | 1 | 435987 | KNIVKOBLING AKTIVATOR | KNIFE CLUTCH CONTROLLER |
| 2 | 2 | 435988 | SKRUE | SCREW |
| 3 | 1 | 435989 | HÅNDTAG | 538BBC-HANDLE |
| 4 | 1 | 435883 | SOFTGRIB | SHEATH |
| 5 | 1 | 435990 | KNIV KOBLINGSBØJLE | KNIFE CLUTCH HANDLE WELDING |
| 6 | 1 | 435991 | KOBLINGSBØJLE | CLUTCH LEVER WELDMENT |
| 7 | 1 | 435992 | FJEDER | TORSIONAL SPRING |
| 8 | 5 | 435801 | LÅAEMØTRIK | LOCK NUT |
| 9 | 1 | 435993 | FJEDER | LIMIT SPRING |
| 10 | 1 | 435994 | BOLT M6X50 | BOLT-M6x50 |
| 11 | 1 | 435887 | GREB | GRIP |
| 12 | 2 | 435888 | SKRUE | SCREW |
| 13 | 1 | 435995 | GREB | GRIP - THROTTLE LEVER |
| 14 | 1 | 435955 | BREMSE KABEL | BRAKE CABLE |
| 15 | 1 | 435896 | KABELSTRAMMER | TIES |
| 16 | 4 | 435895 | SKRUE | SCREW |
| 17 | 1 | 435892 | COVER UNDER | LOWER COVER |
| 18 | 2 | 435890 | SKRUE | SCREW |
| 19 | 1 | 435891 | SKRUE | SCREW |
| 20 | 2 | 435897 | AFSTANDSSKIVE | SPACER |
| 21 | 1 | 435898 | BESLAG | BRACKET |
| 22 | 1 | 435957 | GASKABEL | THROTTLE CABLE |
| 23 | 1 | 435899 | BESLAG | BRACKET |
| 24 | 1 | 435861 | LÅSE MØTRIK | LOCK NUT |
| 25 | 1 | 435958 | HASTIGHEDSKONTROL KABEL | SPEED CONTROL CABLE |
| 26 | 1 | 435996 | BOLT | BOLT |
| 27 | 1 | 435886 | ØVRE COVER | UPPER COVER |
| 28 | 1 | 435903 | AFSTANDSSKIVE | SPACER |
| 29 | 1 | 435904 | SKRUE | SCREW |
| 30 | 1 | 406375 | HOLDER FOR STARTSNOR | HOLDER |
| 31 | 1 | 435997 | KNIVKOBLINGSKABEL | KNIFE CLUTCH ROPE |
| 32 | 2 | 435905 | KAPSEL | CAP |
| 33 | 2 | 435906 | BOLT | BOLT |
| 34 | 2 | 435907 | LÅSEHÅNDTAG | LOCK LEVER |
| 35 | 2 | 435908 | PIN | PIN |
| 36 | 2 | 435909 | AFSTANDSSKIVE | SPACER |
| 37 | 3 | 435910 | AFSTANDSSKIVE | SPACER |
| 38 | 2 | 435911 | BESLAG FOR JUSTERING AF STYR | TOOTH DISC KIT |
| 39 | 1 | 435912 | CLIP | CLIP |
| 40 | 2 | 435913 | LÅSEMØTRIK | LOCK NUT |

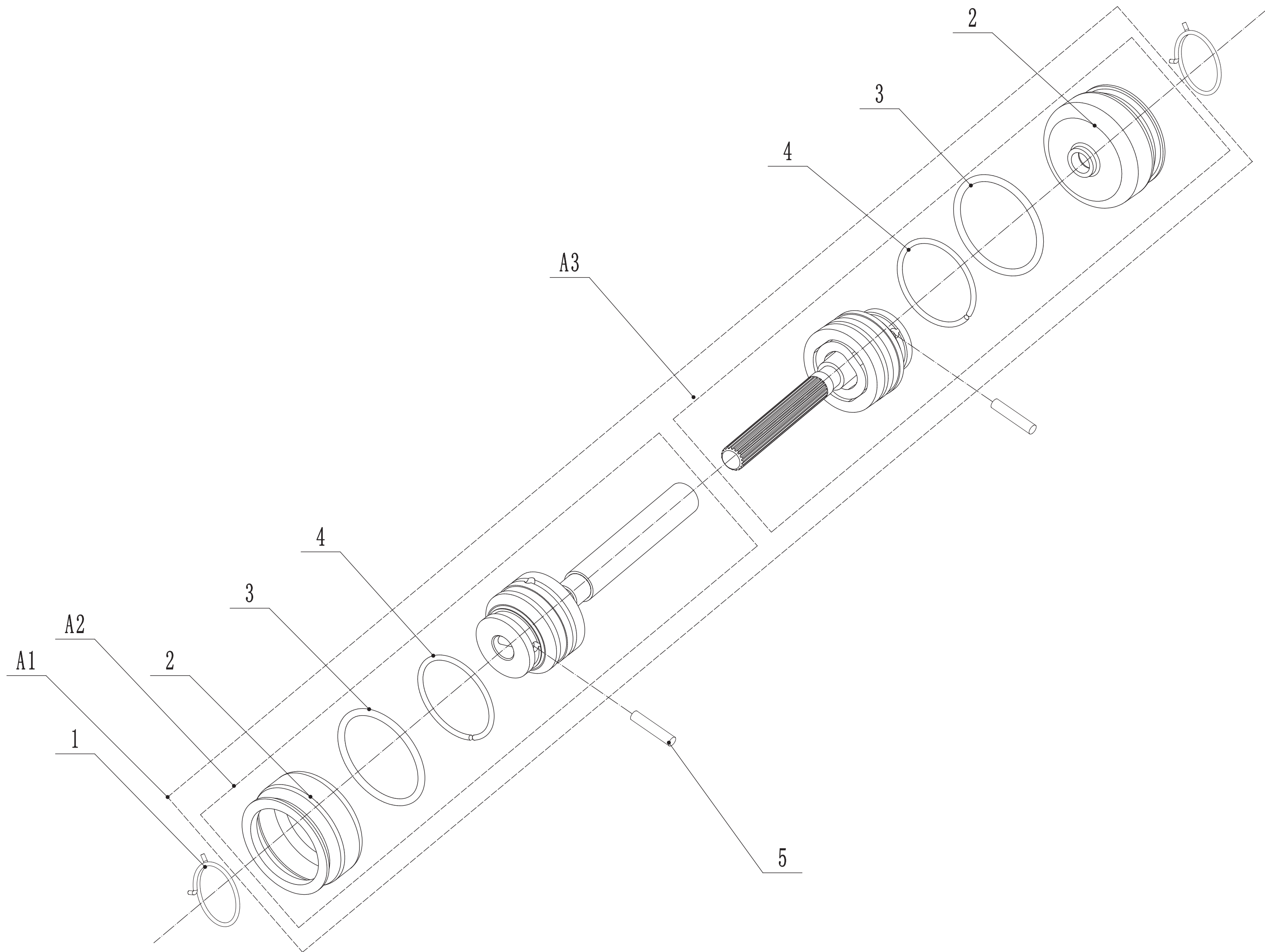


1

2

3

| POS | QTY | PARTNUMBER | BESKRIVELSE | DESCRIPTION |
|-----|-----|------------|----------------------|------------------------|
| 1 | 1 | 435998 | OPSAMLER POSE | COLLECTOR BAG |
| 2 | 1 | 435961 | RAMME | GRASS CATCHER FRAME |
| 3 | 1 | 435962 | GRÆSOPSAMLER KOMPLET | GRASS CATCHER ASSEMBLY |



| POS | QTY | PARTNUMBER | BESKRIVELSE | DESCRIPTION |
|-----|-----|------------|-----------------|-------------------------|
| 1 | 2 | 435917 | LÅSERING | CHECK RING |
| A1 | 1 | 435963 | DRIVAKSEL | UNIVERSAL DRIVE SHAFT |
| A2 | 1 | 435964 | DRIVAKSEL DEL A | UNIVERSAL DRIVE SHAFT A |
| A3 | 1 | 435965 | DRIVAKSEL DEL B | UNIVERSAL DRIVE SHAFT B |
| 2 | 2 | 435921 | GUMMI MANCHET | ANTI-DUST SHIELD |
| 3 | 2 | 435922 | O RING | O RING |
| 4 | 2 | 435923 | LÅSERING | CHECK RING |
| 5 | 2 | 435924 | PIN | PIN |