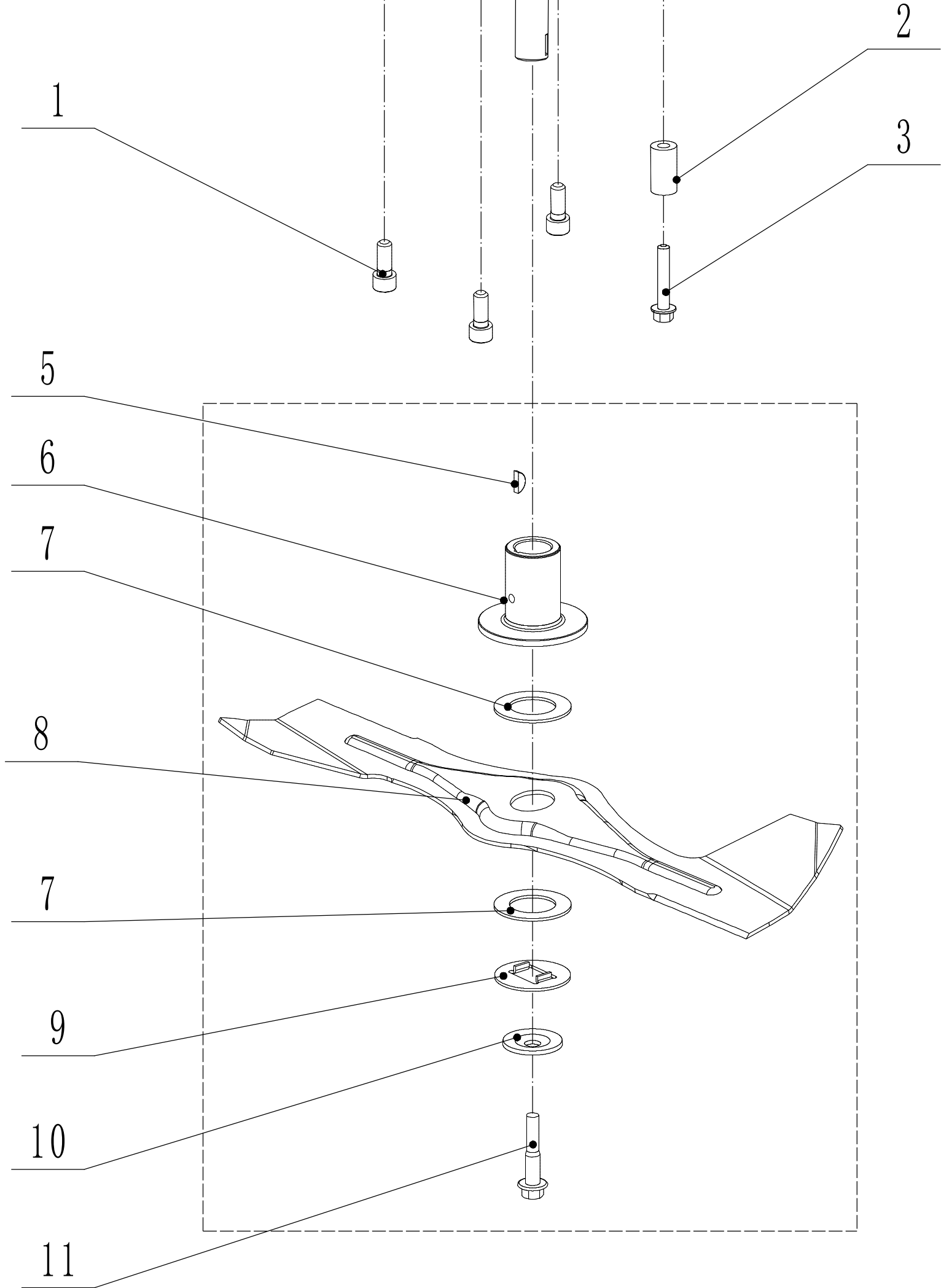
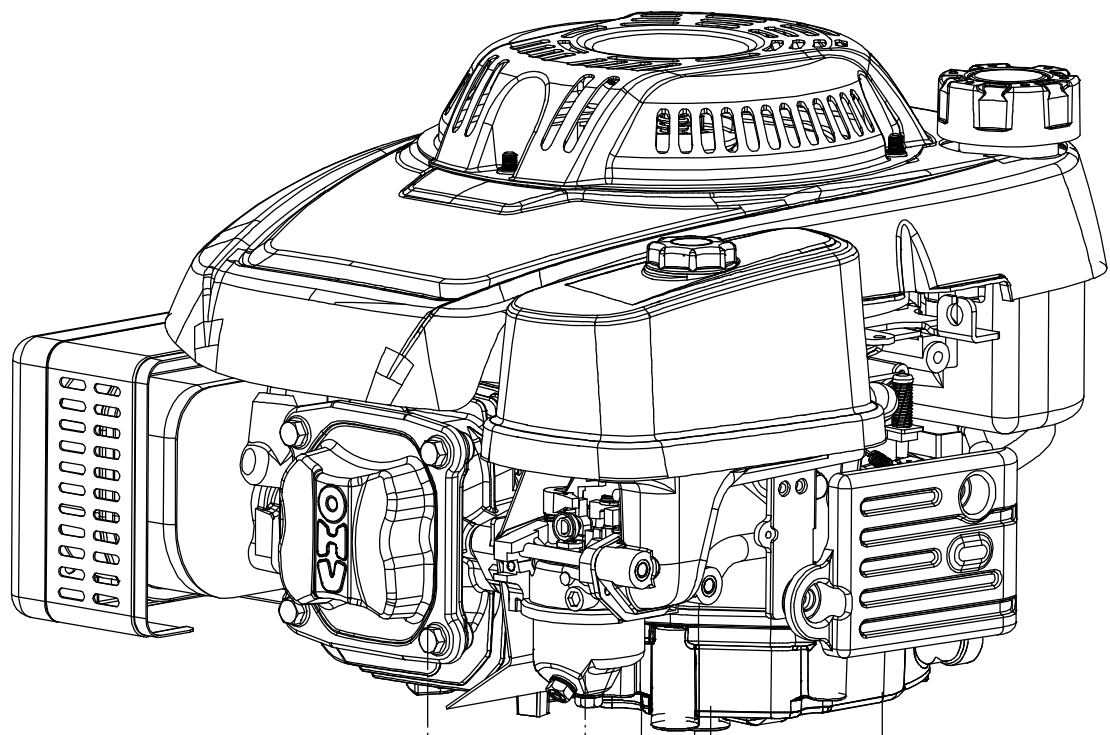
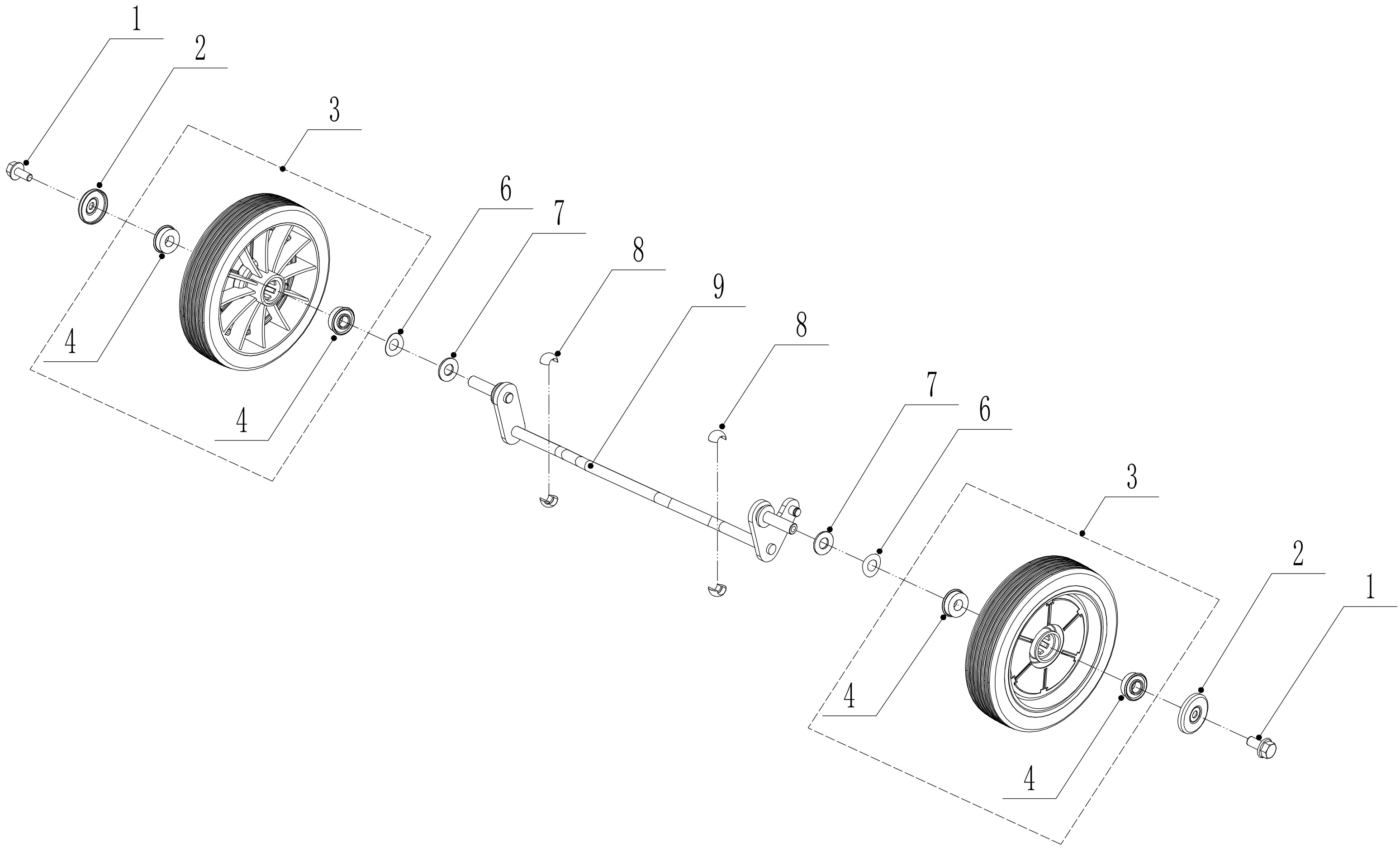


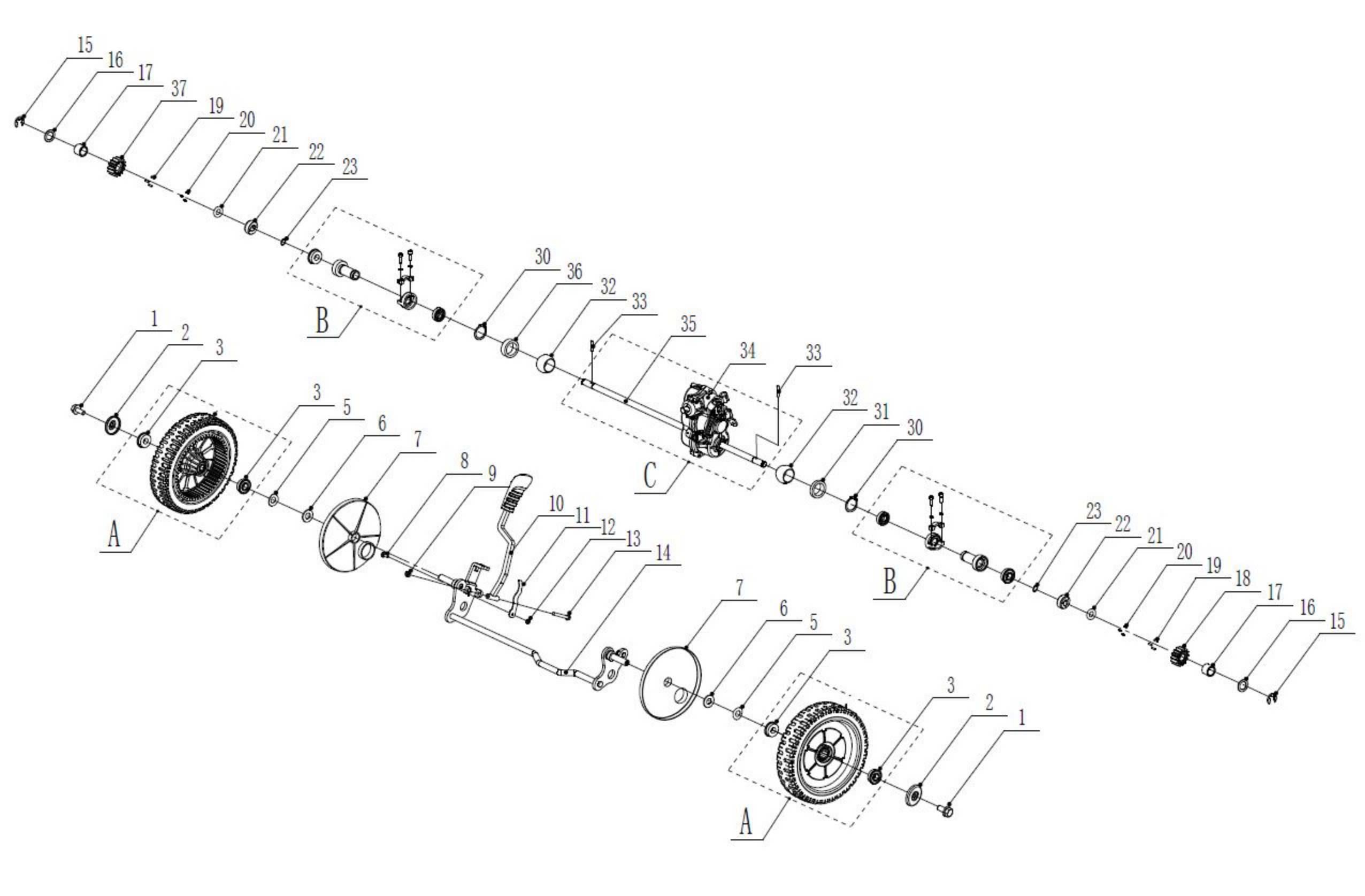
POS	QTY	PARTNUMBER	BESKRIVELSE	DESCRIPTION
1	1	435798	CHASSIS	CHASSIS
2	4	435799	BOLT	BOLT
3	2	435800	PYNTELISTE	OUTSIDE SKIRT
4	17	435801	LÅAEMØTRIK	LOCK NUT
5	11	435802	SKRUE	SCREW
6	1	435803	UDKASTER COVER	LOWER DEFLECTOR
7	6	435804	LÅSE MØTRIK	LOCK NUT
8	1	435805	BESLAG HØJRE	RIGHT BRACKET
9	2	435806	BOLT	BOLT
10	4	435807	BOLT	BOLT
11	1	435808	BESKYTTELSESSKÆRM	UPPER SHIELD
12	2	435809	SKRUE	SCREW
13	1	435810	UDKASTER KLAP	REAR DEFLECTOR
14	1	435811	AKSEL	AXLE
15	1	435812	FJEDER	SPRING
16	1	435813	BESLAG	BRACKET
17	2	435814	BOLT	BOLT
18	1	435815	BESLAG VENSTRE	LEFT BRACKET
19	1	406351	SKÆRM	GUARD
20	1	435816	AKSEL	PIVOT
21	2	435817	BESLAG	UPPER BEARING BRACKET
22	1	435818	FORBINDER STANG	CONNECTOR
23	1	435819	FJEDER	SPRING
24	1	435802	SKRUE	SCREW
25	2	435820	LÅSERING	CHECK RING
26	2	435821	AFSTANDSSKIVE	SPACER
27	2	435822	BESLAG	FRONT BEARING BRACKET
28	4	435823	BOLT	BOLT
29	1	435824	KOFANGER	BUMPER WELDMENT
30	1	435825	INNER PLADE	INNER ARC PLATE
31	3	435826	SKRUE	SCREW
32	4	435827	SKRUE	SCREW



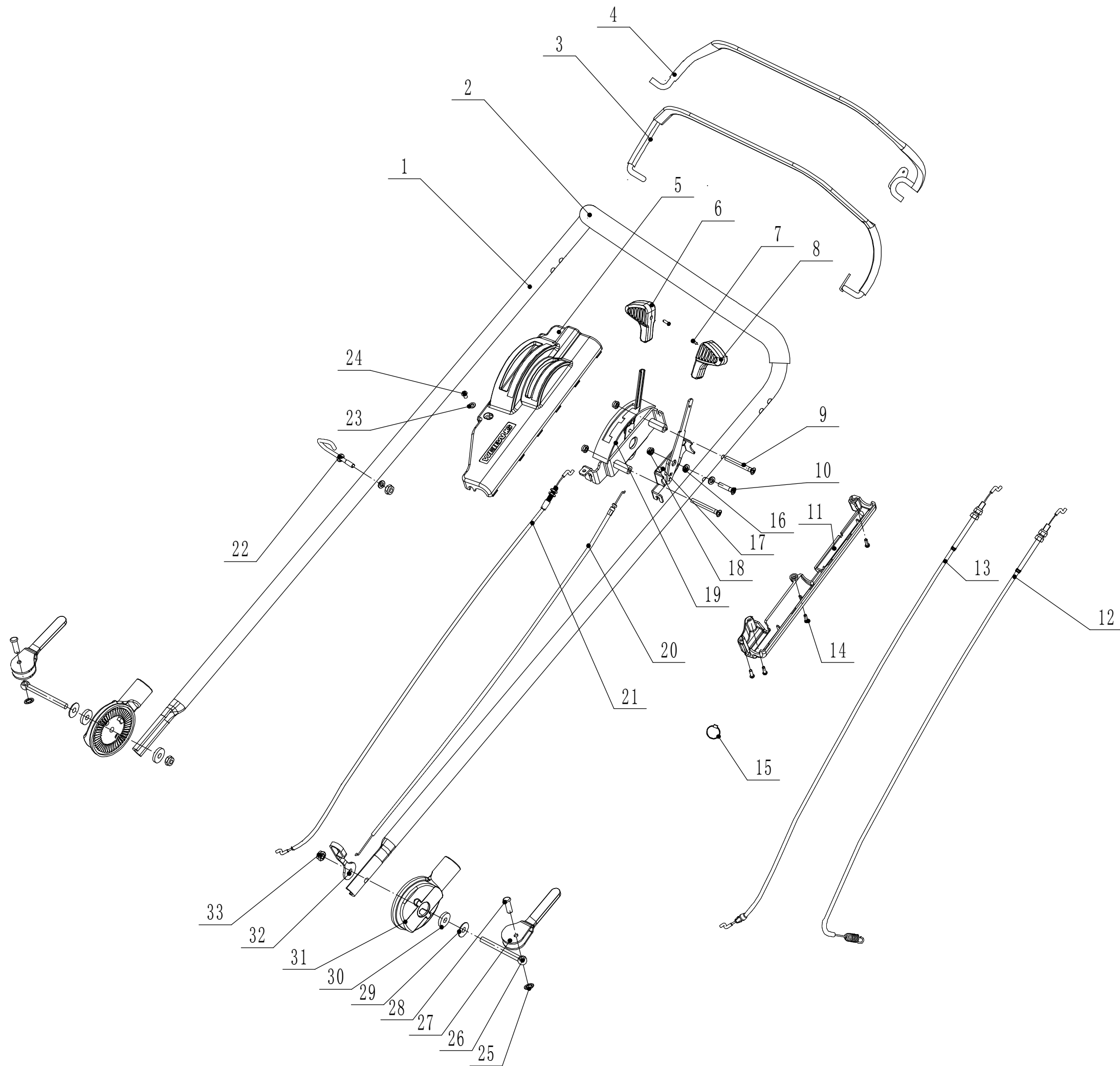
POS	QTY	PARTNUMBER	BESKRIVELSE	DESCRIPTION
1	3	435828	SKRUE	SCREW
2	1	435829	BØS	BUSH
3	1	435842	FLANGE BOLT	HEX FLANGE BOLT
5	1	406365	NOT HALVCIRKEL M4X6.5X15.35	KEY M4X6.5X15.35
6	1	435843	ADAPTER	ADAPTER
7	2	435844	FRIKTIONSPLADE	FRICTION DISC
8	1	435845	KNIV	BLADE
9	1	435846	LÅSESKIVE	LOCK DISC
10	1	435847	FJEDERSKIVE	SPRING WASHER
11	1	406369	STÅLBOLT SORT 3/8" UNF X1 9/16" (40MM)	STEEL BOLT 3/8" UNF X1 9/16" (40MM)



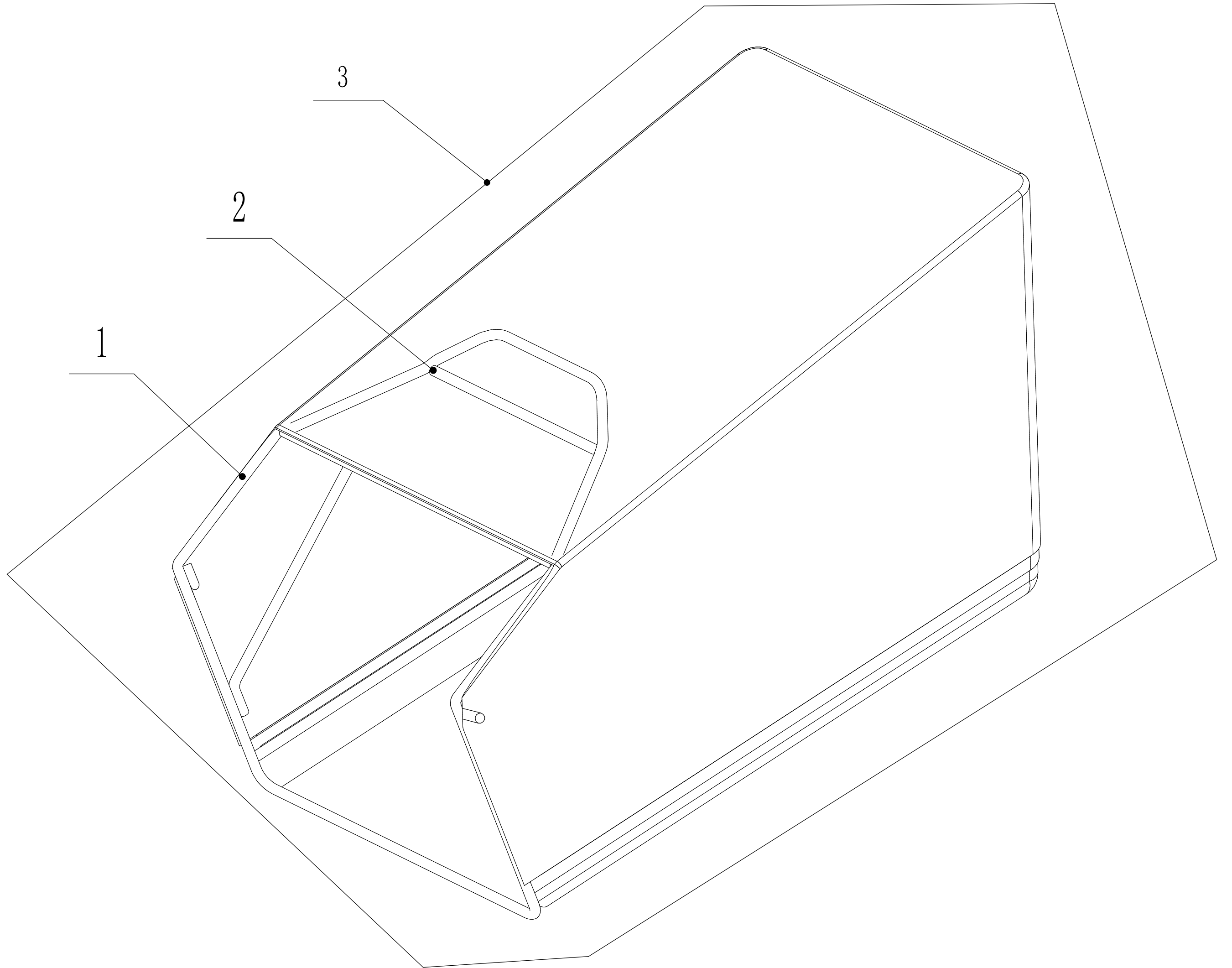
POS	QTY	PARTNUMBER	BESKRIVELSE	DESCRIPTION
1	2	435848	BOLT	BOLT
2	2	435849	KAPSEL	HUB CAP
3	2	435850	"8"" HJUL KOMPLET"	"8"" WHEEL ASSEMBLY"
4	4	435851	LEJE	BEARING
6	2	435852	FJEDER SKIVE	SPRING WASHER
7	2	435853	AFSTANDSSKIVE	SPACER
8	4	406359	BØS	BUSHING
9	1	435854	FRONT AKSEL	FRONT AXLE WELDMENT



POS	QTY	PARTNUMBER	BESKRIVELSE	DESCRIPTION
1	2	435855	BOLT	BOLT
2	2	435849	KAPSEL	HUB CAP
A	2	435856	"8"" BAGHJUL KOMPLET"	"8"" REAR WHEEL ASSEMBLY"
3	6	435851	LEJE	BEARING
5	2	435852	FJEDER SKIVE	SPRING WASHER
6	2	435853	AFSTANDSSKIVE	SPACER
7	2	435857	STØV COVER	ANTI-DUST SHIELD
8	1	435858	BOLT	BOLT
9	1	435801	LÅAEMØTRIK	LOCK NUT
10	1	435859	HÅNDTAG FOR HØJDEJUSTERING	LEVER
11	1	435860	FJEDER	SPRING
12	1	435861	LÅSE MØTRIK	LOCK NUT
13	1	435862	BOLT	BOLT
14	1	435863	BAG AKSEL	REAR AXLE WELDMENT
15	2	435864	LÅSERING	CHECK RING
16	2	435865	AFSTANDSSKIVE	SPACER
17	2	435866	LEJE	BEARING
18	1	435867	VENSTRE GEARHJUL	LEFT PINION
19	6	435868	PIN	PIN
20	6	435869	FJEDER	SPRING
21	2	435870	O-RING	O-RING
22	2	435871	LÅSEPINSBESLAG	PIN BRACKET
23	2	435872	LÅSERING	CHECK RING
B	2	435873	LEJE KIT	BEARING SHEATH KIT
30	2	435874	LÅSERING	CHECK RING
31	1	435875	AFSTANDSSKIVE	LEFT SPACER
32	2	435876	LEJE	BEARING
C	1	435877	GEARKASSE KOMPLET	GEARBOX ASSEMBLY
33	2	435878	PIN	PIN
34	1	435877	GEARKASSE KOMPLET	GEARBOX ASSEMBLY
35	1	435879	BAG AKSEL	REAR AXLE
36	1	435880	AFSTANDSSKIVE	SPACER
37	1	435881	HØJRE GEARHJUL	RIGHT PINION



POS	QTY	PARTNUMBER	BESKRIVELSE	DESCRIPTION
1	1	435882	STYR	HANDLE
2	1	435883	SOFTGRIB	SHEATH
3	1	435884	KOBLINGSBØJLE	CLUTCH LEVER WELDMENT
4	1	435885	MOTORBØJLE	BRAKE LEVER WELDMENT
5	1	435886	ØVRE COVER	UPPER COVER
6	1	435887	GREB	GRIP
7	2	435888	SKRUE	SCREW
8	1	435889	GREB	GRIP
9	2	435890	SKRUE	SCREW
10	1	435891	SKRUE	SCREW
11	1	435892	COVER UNDER	LOWER COVER
12	1	435893	MOTORKABEL	BRAKE CABLE
13	1	435894	KOBLINGSKABEL	CLUTCH CALBE
14	4	435895	SKRUE	SCREW
15	1	435896	KABELSTRAMMER	TIES
16	8	435897	AFSTANDSSKIVE	SPACER
17	1	435898	BESLAG	BRACKET
18	3	435801	LÅAEMØTRIK	LOCK NUT
19	1	435899	BESLAG	BRACKET
20	1	435900	GASKABEL	THROTTLE CABLE
21	1	435901	HASTIGHEDSKONTROL KABEL	SPEED CONTROL CABLE
22	1	435902	KROG	HOOK
23	1	435903	AFSTANDSSKIVE	SPACER
24	1	435904	SKRUE	SCREW
25	2	435905	KAPSEL	CAP
26	2	435906	BOLT	BOLT
27	2	435907	LÅSEHÅNDTAG	LOCK LEVER
28	2	435908	PIN	PIN
29	2	435909	AFSTANDSSKIVE	SPACER
30	3	435910	AFSTANDSSKIVE	SPACER
31	2	435911	BESLAG FOR JUSTERING AF STYR	TOOTH DISC KIT
32	1	435912	CLIP	CLIP
33	2	435913	LÅSEMØTRIK	LOCK NUT

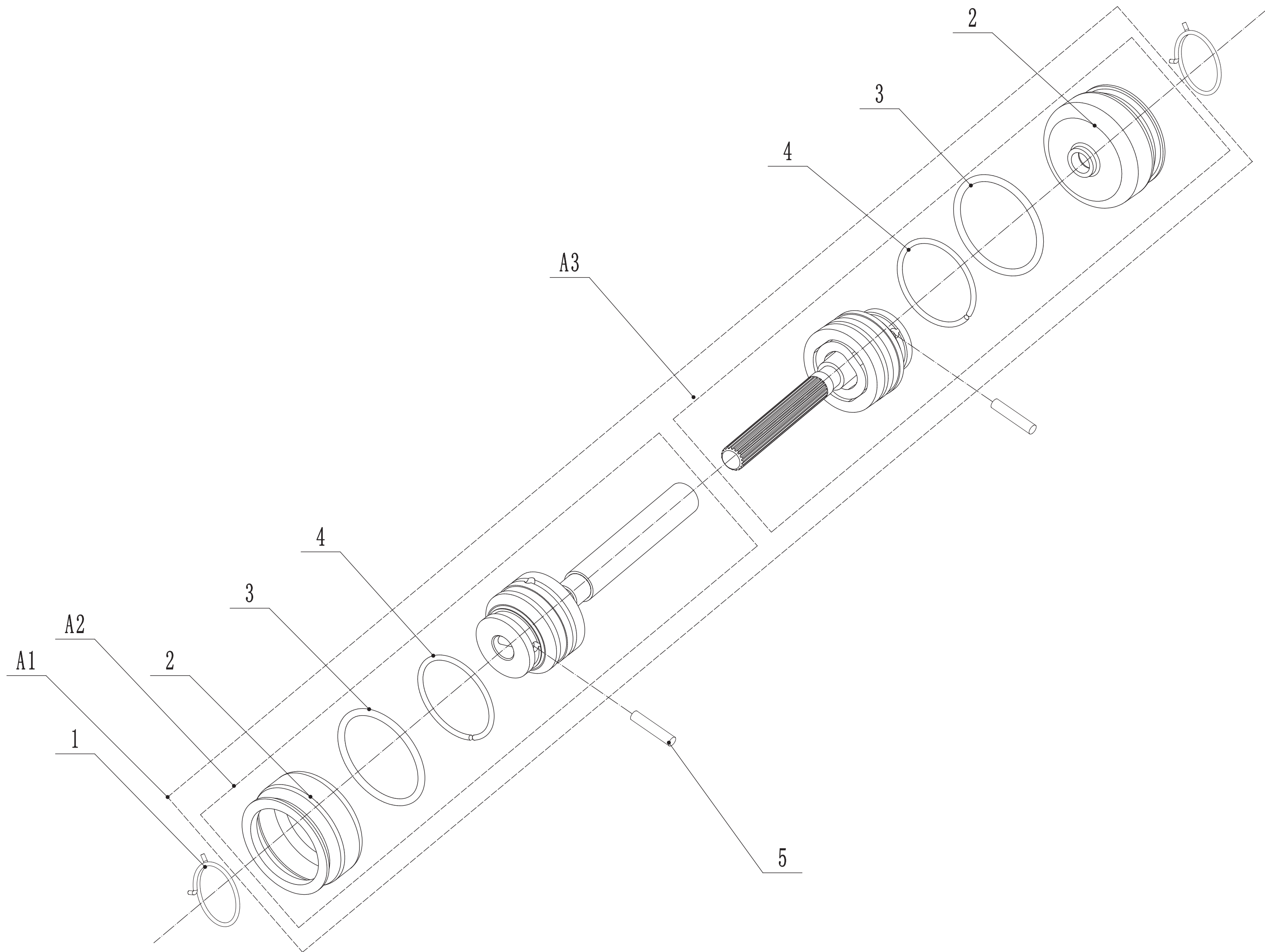


1

2

3

POS	QTY	PARTNUMBER	BESKRIVELSE	DESCRIPTION
1	1	435914	POSE FOR OPSAMLER	GRASS BAG
2	1	435915	RAMME	FRAME WELDMENT
3	1	435916	GRÆSOPSAMLER	GRASS CATCHER



POS	QTY	PARTNUMBER	BESKRIVELSE	DESCRIPTION
1	2	435917	LÅSERING	CHECK RING
A1	1	435918	GEARAKSEL	UNIVERSAL DRIVE SHAFT
A2	1	435919	GEARAKSEL DEL A	UNIVERSAL DRIVE SHAFT A
A3	1	435920	GEARAKSEL DEL B	UNIVERSAL DRIVE SHAFT B
2	2	435921	GUMMI MANCHET	ANTI-DUST SHIELD
3	2	435922	O RING	O RING
4	2	435923	LÅSERING	CHECK RING
5	2	435924	PIN	PIN