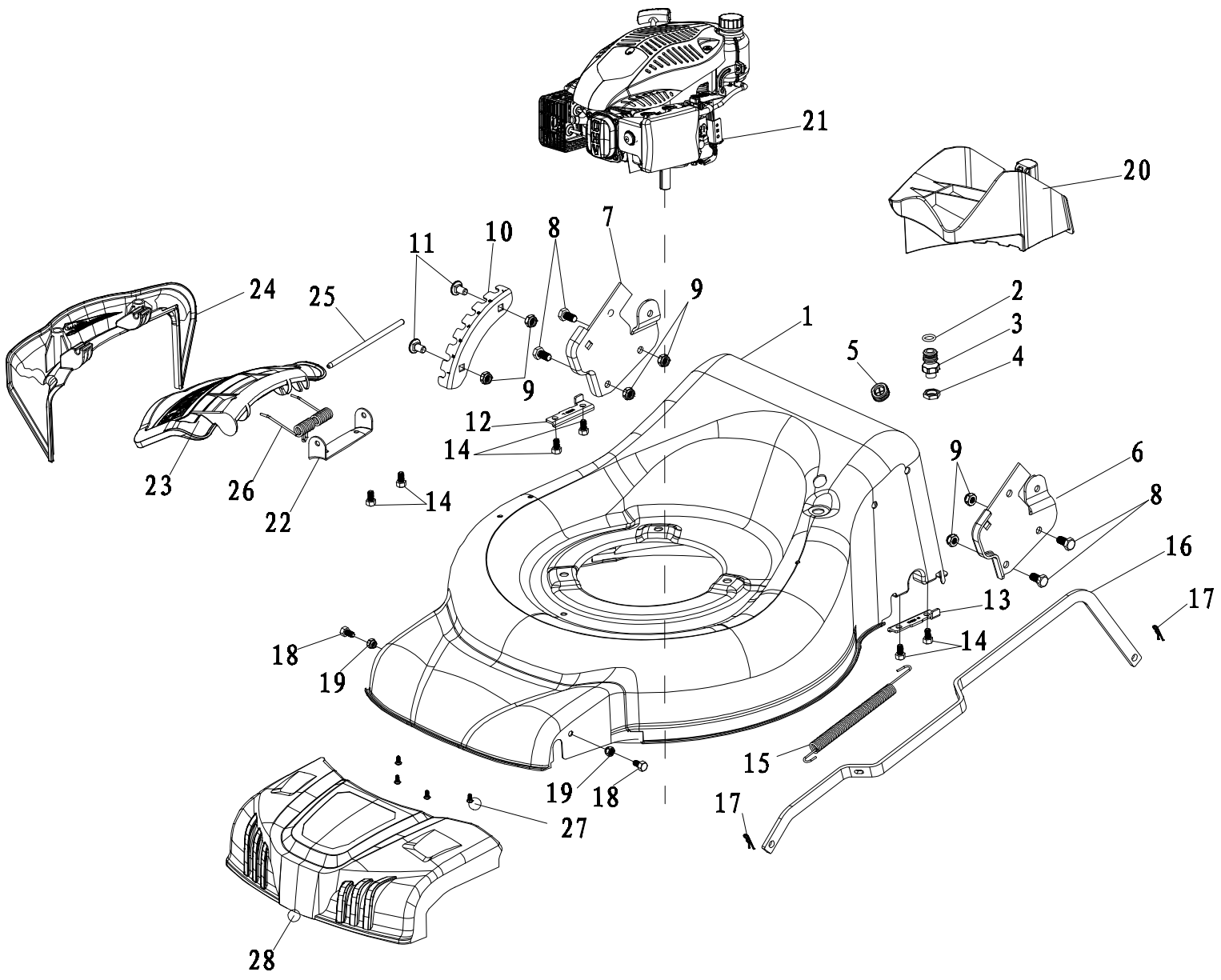
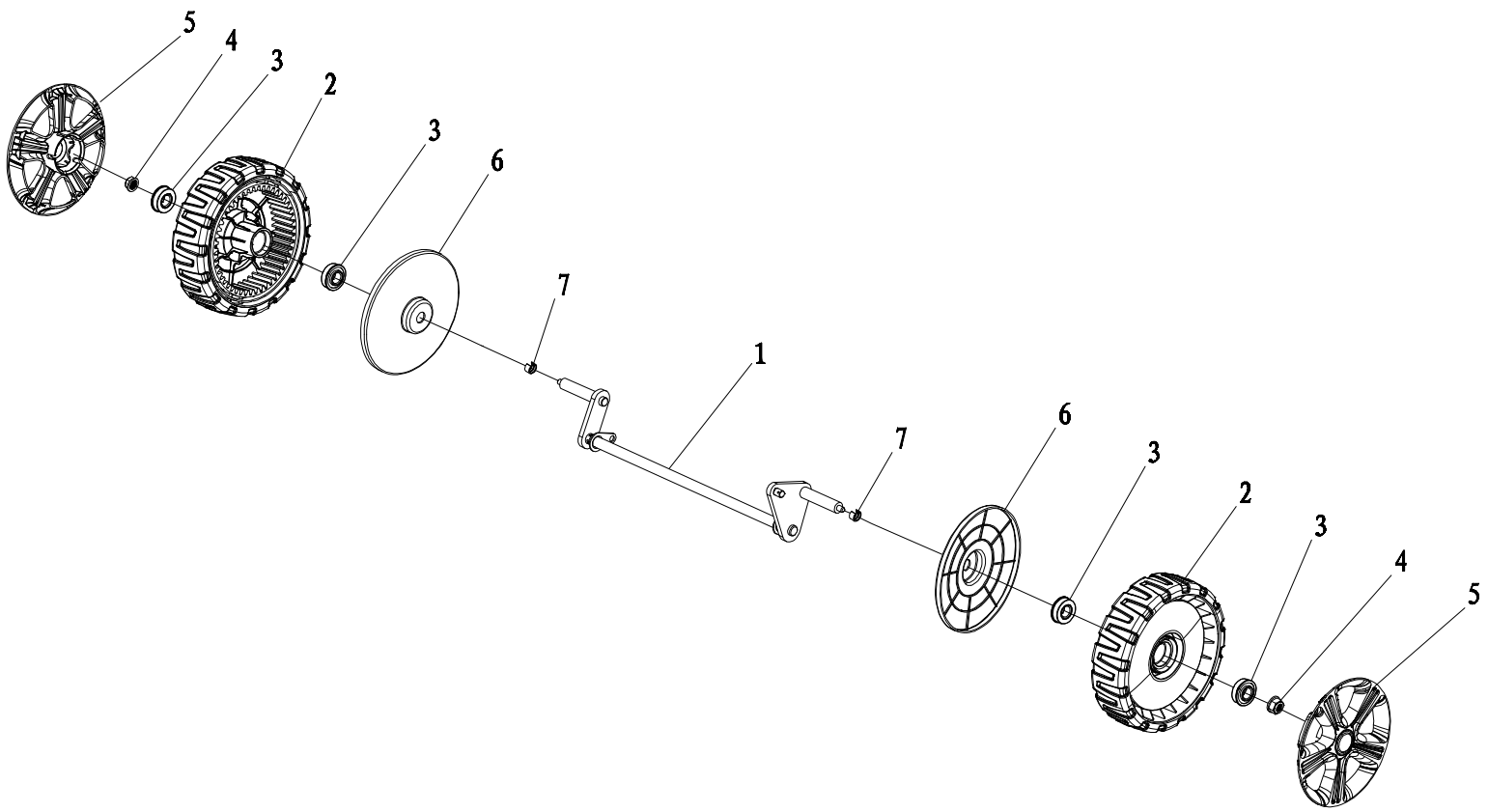


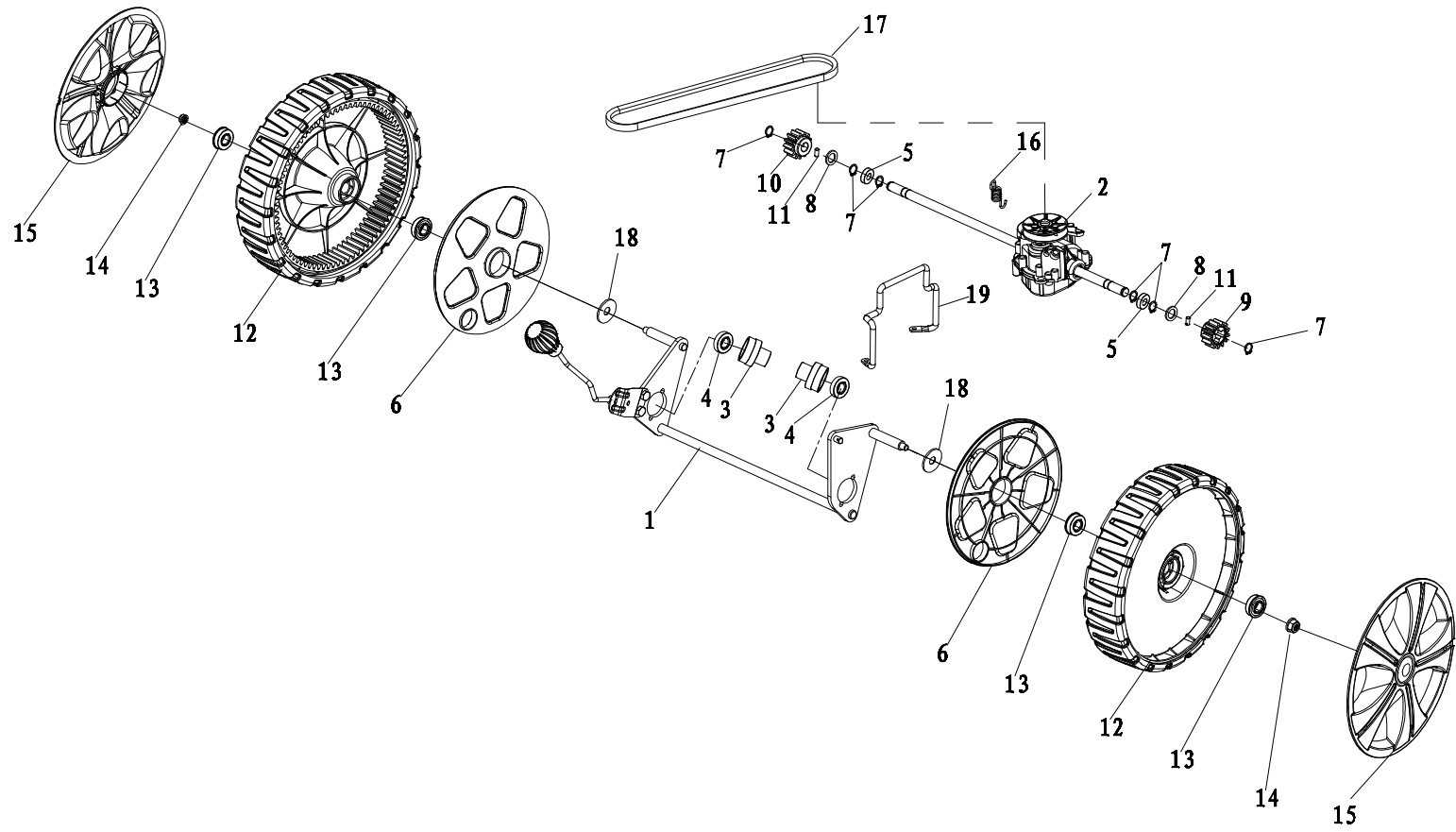
| POS | QTY | PARTNUMBER | BESKRIVELSE | DESCRIPTION |
|-----|-----|------------|------------------------------|---------------------|
| 1 | 1 | 427986 | SKUM TIL HÅNDTAG | HANDLE |
| 2 | 1 | 430365 | BØJLE FOR STOP | STOP LEVER |
| 3 | 1 | 428615 | BØJLE FOR FREMTRÆK | RING |
| 4 | 1 | 430382 | OVERSTYR MED SOFT GRIP | UPPER HANDRAIL |
| 5 | 1 | 406492 | HOLDER FOR STARTSNOR | HOLDER |
| 6 | 1 | 419052 | TOPMØTRIK M6 | CAP NUT M6 |
| 7 | 1 | 425273 | BESLAG TIL KABEL | BRACKET |
| 8 | 2 | 424368 | FLANGEBOLT | COLLAR BOLT |
| 9 | 2 | 90100691 | LÅSEMØTRIK M6 | LOCKING NUT M6 |
| 10 | 1 | 430366 | STOP FOR BØJLE | PLASTIC STOPPER |
| 11 | 1 | 427987 | KABEL FOR START/STOP | CABLE |
| 12 | 1 | 427874 | KABEL FOR FREMTRÆK | CABLE |
| 13 | 2 | 427875 | BRÆDDEBOLT M8X50 | CARRIAGE BOLT M8X50 |
| 14 | 4 | 90102310 | PLANSKIVE M8 | FACE PLATE M8 |
| 15 | 2 | 430368 | FINGERSKRUE MED MØTRIK M8 | TRIANGLE KNOB |
| 16 | 4 | 415043 | MØTRIK M8 | NUT M8 |
| 17 | 1 | 427877 | STYR NEDRE | HANDELBAR |
| 18 | 1 | 406508 | KABELHOLDER | CABLE HOLDER |
| 19 | 2 | 408715 | FLANGEBOLT M5X25 | COLLAR BOLT M5X25 |
| 20 | 2 | 90100087 | BRÆDDEBOLT M8X30 | CARRIAGE BOLT M8X30 |
| 21 | 2 | 427857 | LÅSEMØTRIK M8 | LOCKING NUT M8 |
| 22 | 2 | 430367 | FINGERSKRUE MED MØTRIK M8 | TRIANGLE KNOB |
| 23 | 2 | 430383 | FLANGEBOLT M6X35 GB/T5789/8. | HEX FLANGE BOLTS |
| 24 | 2 | 419051 | SKIVE | WASHER |
| 25 | 2 | 430384 | MØTRIK M6 M611GB/T923 | CAP NUT |
| 26 | 1 | 430554 | PANEL STYR | CONTROL BOARD |



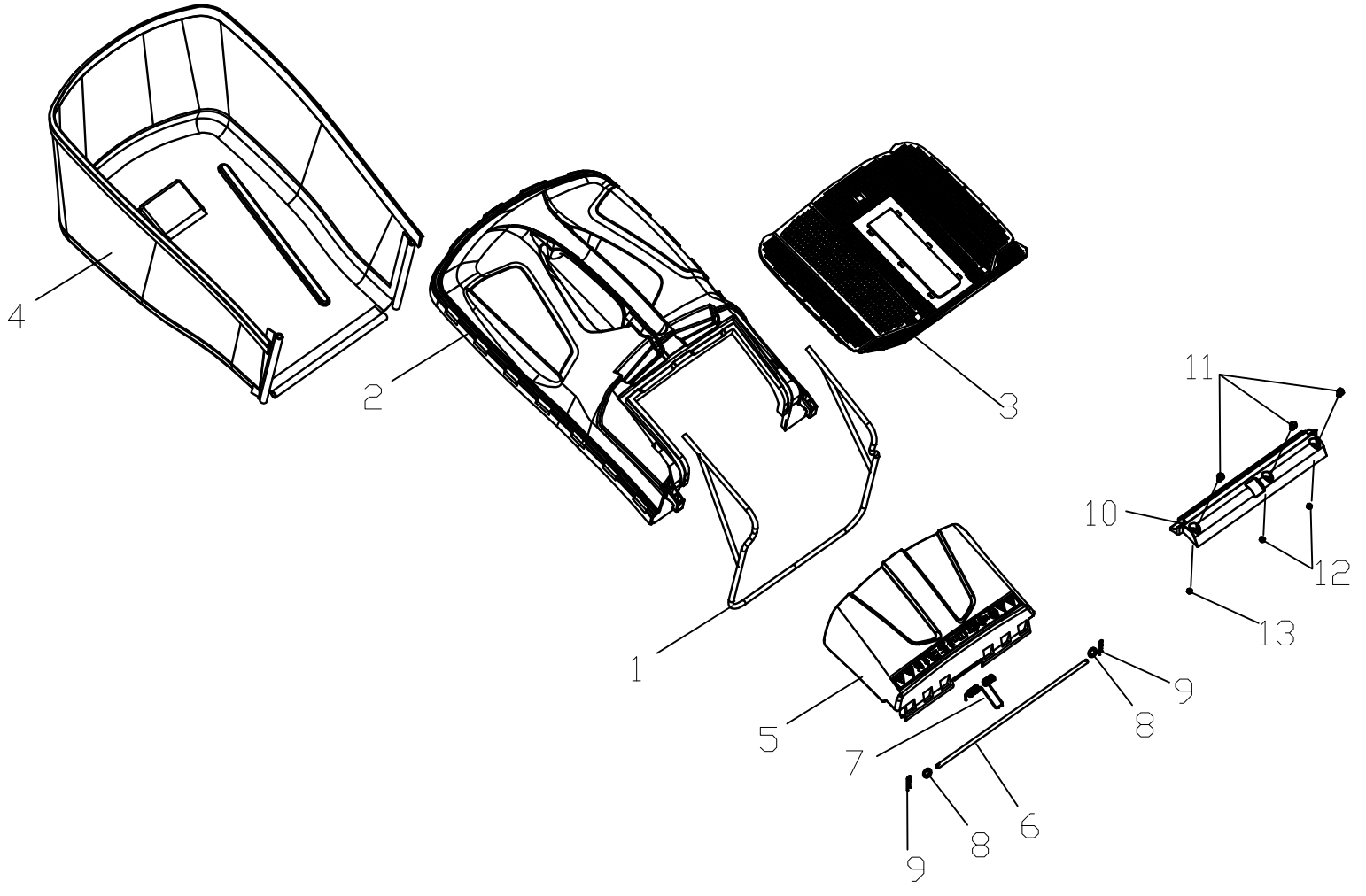
| POS | QTY | PARTNUMBER | BESKRIVELSE | DESCRIPTION |
|-----|-----|------------|---|--------------------------------|
| 1 | 1 | 430791 | KLIPPESKJOLD | DECK WELDING ASSY. |
| 2 | 1 | 427813 | O-RING 11,2X2,65 | O-RING 11,2X2,65 |
| 3 | 1 | 427814 | VASKESTUDS | NOZZLE PIPE |
| 4 | 1 | 427815 | MØTRIK PLAST TIL VASKESTUDS M12X1,25 | NUT M12X1,25 |
| 5 | 1 | 427816 | STOP FOR KABEL | STOP |
| 6 | 1 | 430370 | STYRHOLDER VENSTRE | LEFT HANDLE BRACKET |
| 7 | 1 | 427818 | STYRHOLDER HØJRE | BRACKET |
| 8 | 4 | 427819 | SÆTBOLT M8X14 | SET BOLT M8X14 |
| 9 | 6 | 427857 | LÅSEMØTRIK M8 | LOCKING NUT M8 |
| 10 | 1 | 430387 | HØJDEJUSTERING | HEIGHT ADJUSTMENT BOARD |
| 11 | 2 | 427821 | FLANGEBOLT 8X15 | COLLAR BOLT 8X15 |
| 12 | 1 | 427822 | BESLAG HØJRE FOR FASTGØRELSE AF GEAR | BRACKET |
| 13 | 1 | 427823 | BESLAG VENSTRE FOR FASTGØRELSE AF GEAR | BRACKET |
| 14 | 6 | 427824 | PLADESKRUE M6X10 | PLATE SCREW M6X10 |
| 15 | 1 | 427825 | TRÆKFJEDER FOR HØJDEJUSTERING | DRIVE SPRING |
| 16 | 1 | 430374 | FORBINDELSESSTANG | HEIGHT ADJUSTMENT PULL ROD |
| 17 | 2 | 427827 | FJEDERSPLIT 1,5X25 | SPRING COTTER 1,5X25 |
| 18 | 2 | 430405 | BOLT M6X12 | BOLT |
| 19 | 2 | 90100691 | LÅSEMØTRIK M6 | LOCKING NUT M6 |
| 20 | 1 | 427833 | BIOPLUG | MULCING PLUG |
| 21 | 1 | TG475-3 | POWERLINE TG475 AKSEL DIAMETER 22,2 MM | POWERLINE TG475 |
| 22 | 1 | 430788 | HOLDER FOR UDKASTERSKÆRM | BRACKET PLATE FOR DEFELCTOR |
| 23 | 1 | 430389 | UDKASTERKLAP | MULCHING BOARD |
| 24 | 1 | 430390 | UDKASTERSKÆRM | SIDE DISCHARGE COVER |
| 25 | 1 | 430391 | AKSEL FOR SIDEUDKAST | MULCH SHAFT |
| 26 | 1 | 430392 | FJEDER FOR SIDEUDKAST | MULCH BOARD SPRING |
| 27 | 4 | 427829 | PLADESKRUE SELVBORENDE PANHOVEDET 4,2X14 | PLATE SCREW 4,2X14 |
| 28 | 1 | 430792 | FRONT MASK | FRONT MASK |



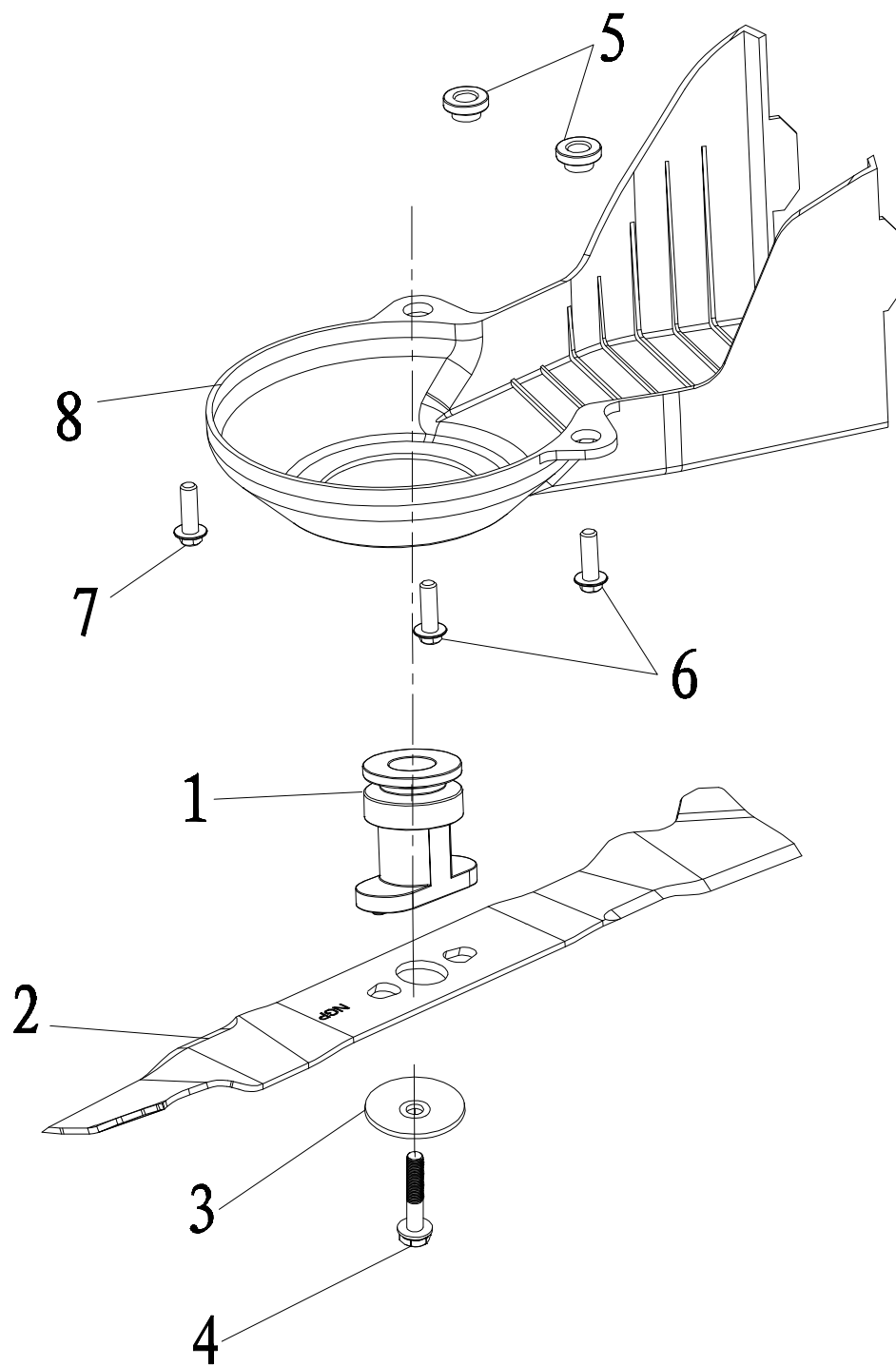
| POS | QTY | PARTNUMBER | BESKRIVELSE | DESCRIPTION |
|-----|-----|------------|--------------------|--------------------|
| 1 | 1 | 430393 | HJULAKSEL FORRESTE | FRONT DRIVE ASSY. |
| 2 | 2 | 428622 | FORHJUL KOMPLET 7" | FRONT WHEEL 7" |
| 3 | 4 | 427836 | HJULLEJE | WHEEL BEARING |
| 4 | 2 | 427837 | LÅSEMØTRIK M8 | LOCKING NUT M8 |
| 5 | 2 | 428623 | HJULKAPSEL 7" | WHEEL CAP 7" |
| 6 | 2 | 430375 | DÆKSEL INDER 7" | INNER COVER OF HUB |
| 7 | 2 | 427839 | LÅSERING | LOCKING RING |



| POS | QTY | PARTNUMBER | BESKRIVELSE | DESCRIPTION |
|-----|-----|------------|--|----------------------|
| 1 | 1 | 430395 | BAGAKSEL | REAR DRIVE ASSY. |
| 1 | 1 | 428626 | KNOP FOR HØJDEJUSTERINGS HÅNDTAG | KNOB |
| 2 | 1 | 430396 | GEAR KOMPLET | SELFPROPELLED ASSY. |
| 3 | 2 | 427860 | BØS | BUSHING |
| 4 | 2 | 427861 | KUGLELEJE 12X28X8 | BALL BEARING 12X28X8 |
| 5 | 2 | 428628 | BØS FOR BAGAKSEL | BUSHING |
| 6 | 2 | 430397 | INDER SKÆRM 10" | INNER COVER OF HUB |
| 7 | 6 | 427864 | FJEDERSKIVE | SPRING COLLAR |
| 8 | 2 | 427892 | SKIVE FOR PALHJUL | WASHER |
| 9 | 1 | 428630 | PALHJUL VENSTRE | RATCHET WHEEL |
| 10 | 1 | 428631 | PALHJUL HØJRE | RATCHET WHEEL |
| 11 | 2 | 430377 | PAL | BRATCHET PIN |
| 12 | 2 | 428633 | BAGHJUL KOMPLET 10" | REAR WHEEL TIRE 10" |
| 13 | 4 | 427836 | HJULLEJE | WHEEL BEARING |
| 14 | 2 | 427837 | LÅSEMØTRIK M8 | LOCKING NUT M8 |
| 15 | 2 | 430398 | HJUL KAPSEL 10" | OUTER COVER OF HUB |
| 16 | 1 | 427862 | FJEDER FOR GEAR | SPRING |
| 17 | 1 | 427866 | KILEREM LI660 | V-BELT LI660 |
| 18 | 2 | 430399 | SKIVE 13X39.3X1 | GASKET |
| 19 | 1 | 430412 | REMSTYR | BRAKE SPRING |



| POS | QTY | PARTNUMBER | BESKRIVELSE | DESCRIPTION |
|-----|-----|------------|------------------------------|-------------------------|
| 1 | 1 | 427845 | RAMME FOR OPSAMLERKASSE | FRAME |
| 2 | 1 | 427846 | OPSAMPLER ØVERSTE DEL | COLLECTOR |
| 3 | 1 | 430562 | OPSAMPLER, ØVERSTE SKÆRM | FILTER NET OF GRASS BAG |
| 4 | 1 | 430563 | OPSAMPLER NEDERSTE DEL | FABRIC GRASS BAG |
| 5 | 1 | 427849 | DÆKSEL FOR BAGUDKAST | LID |
| 6 | 1 | 427850 | AKSEL FOR BAGUDKAST DÆKSEL | SHAFT |
| 7 | 1 | 427851 | FJEDER FOR BAGUDKAST DÆKSEL | SPRING |
| 8 | 2 | 418653 | VINGEMØTRIK | LOCKING RING |
| 9 | 2 | 427827 | FJEDERSPLIT 1,5X25 | SPRING COTTER 1,5X25 |
| 10 | 1 | 427894 | DÆKSEL STØVTÆT FOR BAGUDKAST | LID |
| 11 | 3 | 427895 | SÆTBOLT 5X12 | SET BOLT 5X12 |
| 12 | 2 | 90100690 | LÅSEMØTRIK M5 | LOCKING NUT M5 |
| 13 | 1 | 90100571 | TOPMØTRIK M5 | CAP NUT M5 |



| POS | QTY | PARTNUMBER | BESKRIVELSE | DESCRIPTION |
|-----|-----|------------|------------------|-------------------|
| 1 | 1 | 427867 | KNIVHOLDER | BLADE HUB |
| 2 | 1 | 427854 | KNIV 18" | BLADE 18" |
| 3 | 1 | 406503 | SKIVE FOR KNIV | WASHER |
| 4 | 1 | 427855 | BOLT FOR KNIV | BOLT |
| 5 | 2 | 424393 | AFSTANDBØS | SPACER GLAND |
| 6 | 2 | 424394 | BOLT 8X30 | BOLT 8X30 |
| 7 | 1 | 428639 | FLANGEBOLT M8X25 | COLLAR BOLT M8X25 |
| 8 | 1 | 427868 | REMSKÆRM | BELT GUARD |