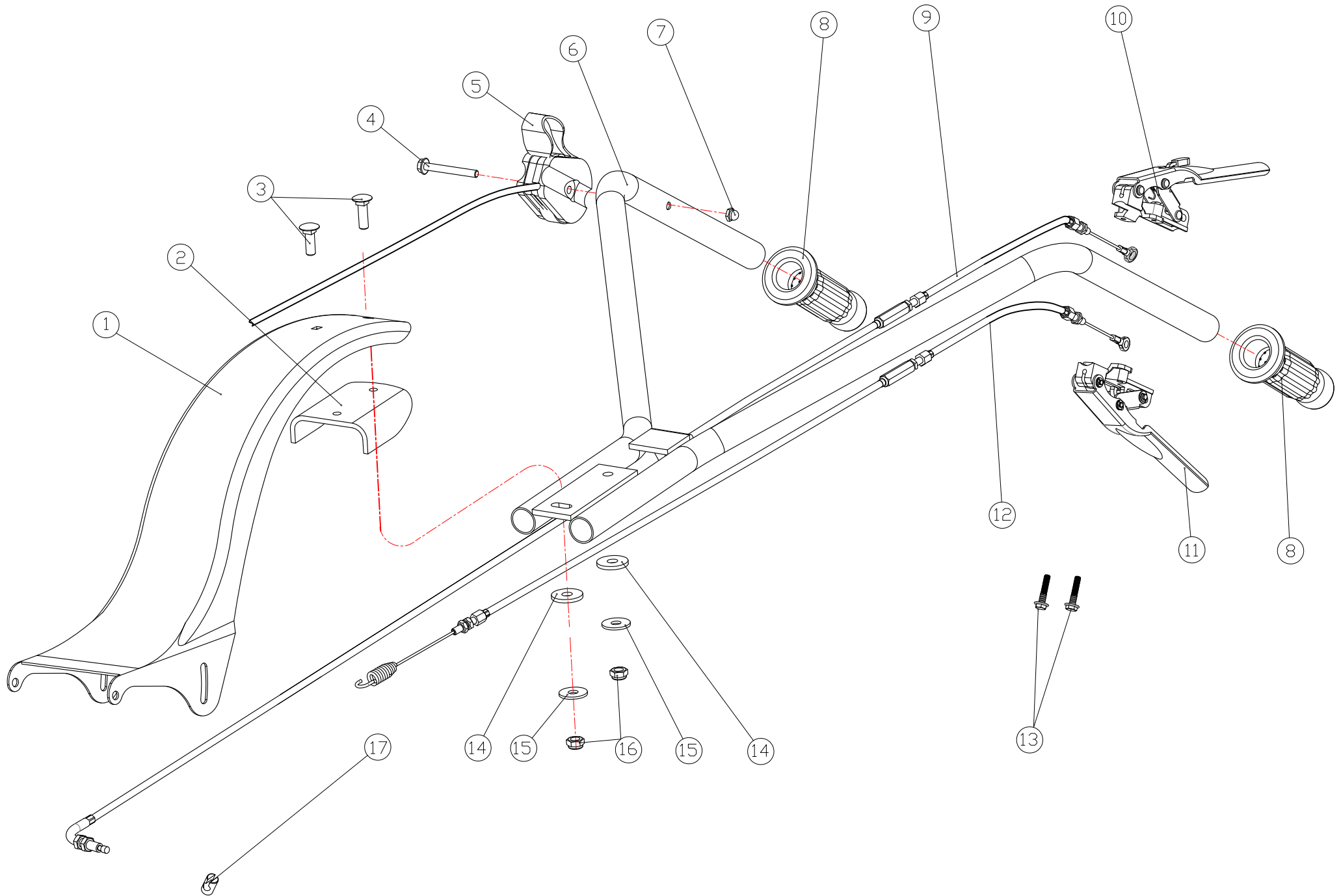


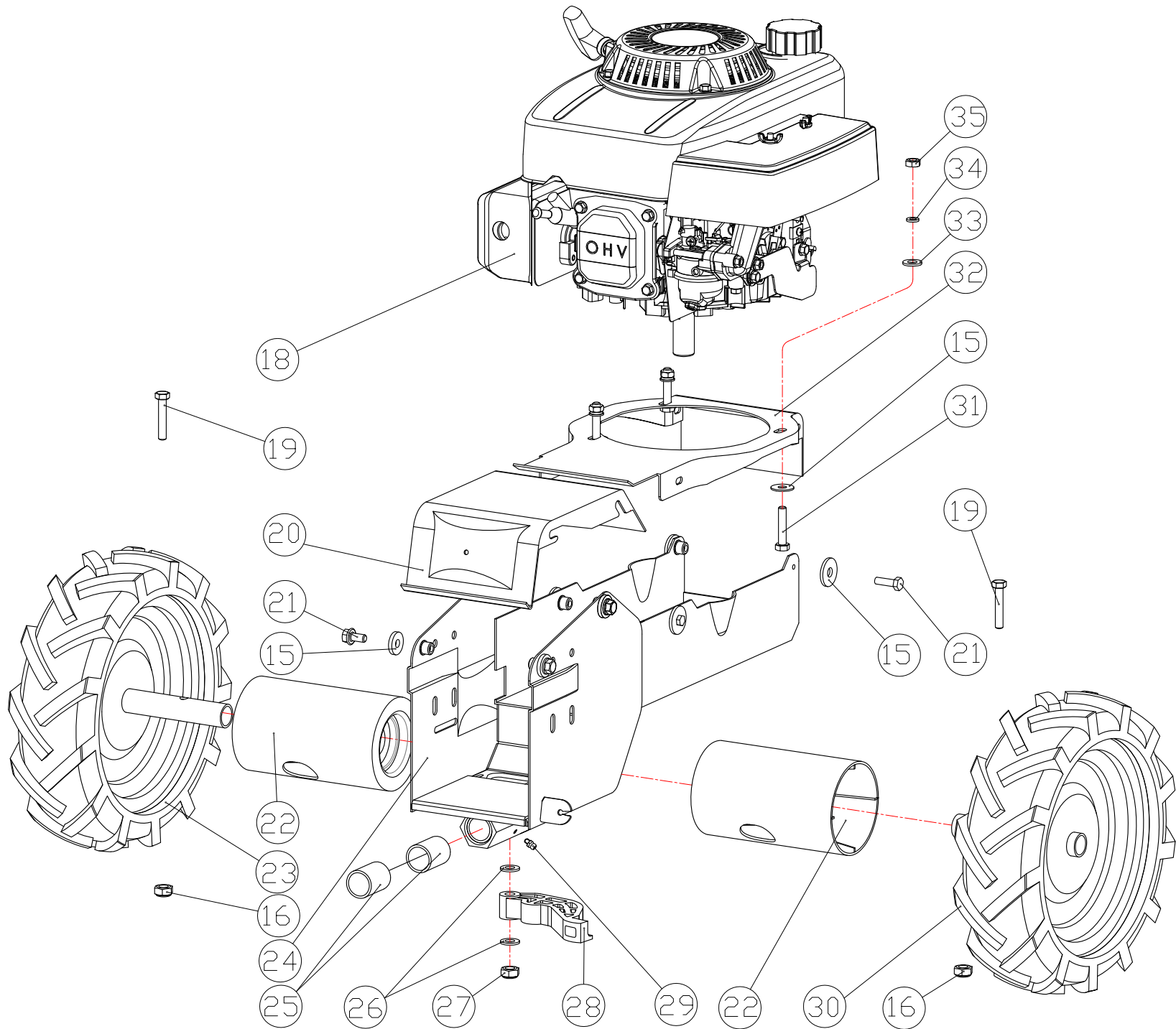
Model: CB8700

Part Number: 90063181

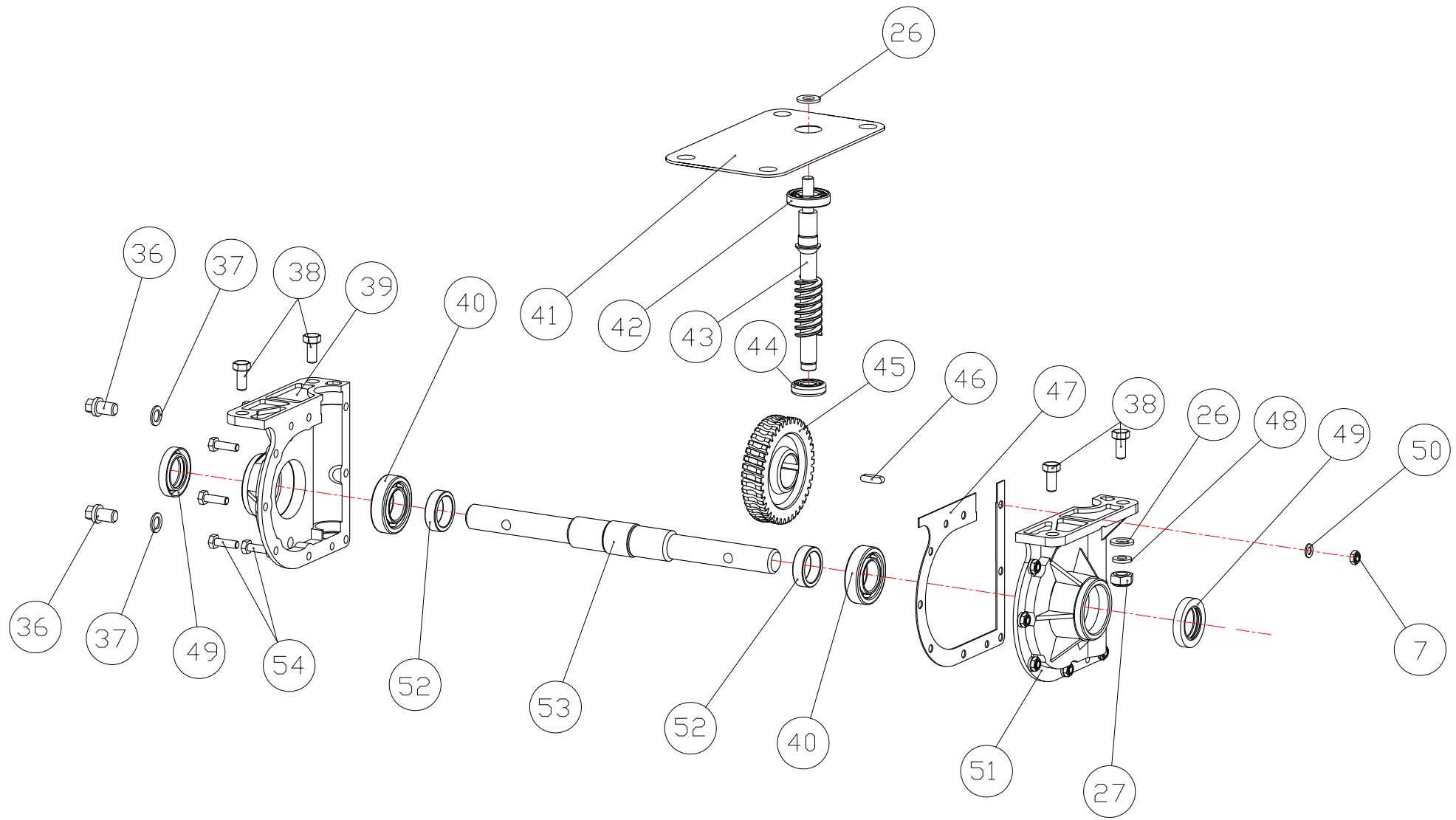
Year: 2020



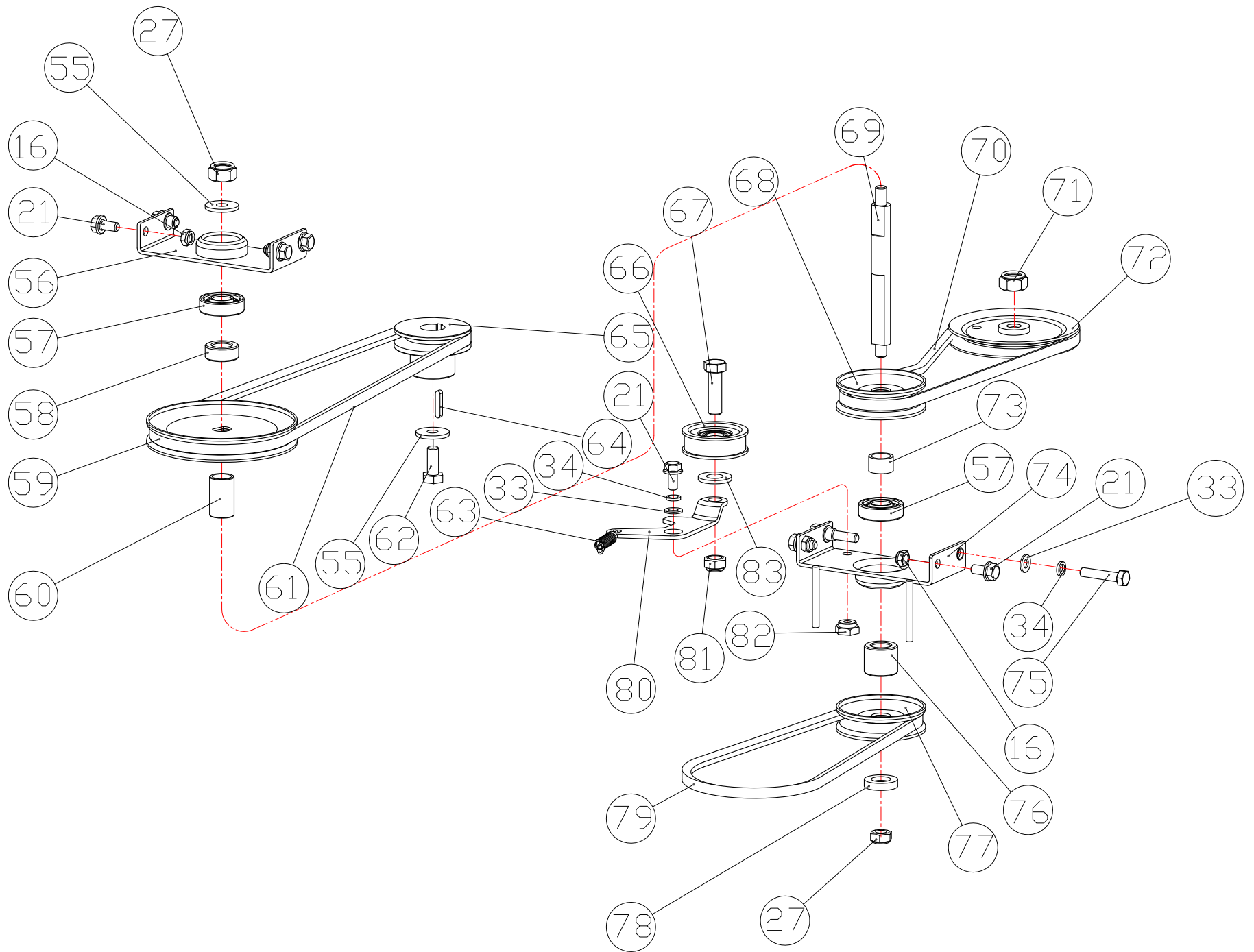
POS	QTY	PARTNUMBER	BESKRIVELSE	DESCRIPTION
1	1	444077	SKÆRM FOR STYR	EX-ARM-FIXER
2	1	444078	BESLAG	ABSORBER BLOCK
3	1	444079	BOLT M8X35	BOLT
4	1	411209	FLANGEBOLT M6X50	COLLAR BOLT M6X50
5	1	444081	GASHÅNDTAG KOMPLET INKL. KABEL	THROTTLE ASSEMBLY
6	1	444082	STYR	HANDLEBAR
7	1	90100691	LÅSEMØTRIK M6	LOCKING NUT M6
8	1	444084	HÅNDTAG	GRIP
9	1	444085	KOBLINGSKABEL KNIV	CUTTING CLUTCH LINE
10	1	444086	KOBLINGSGREB KNIV	CLUTCH LEVER
11	1	444087	KOBLINGSGREB FREM	FORWARD CLUTCH LEVER
12	1	444088	KOBLINGSKABEL FREM	FORWARD CLUTCH LINE
13	1	444089	BOLT M8X35	BOLT
14	1	444090	SKIVE	ABSORBER WASHER
15	1	444091	SKIVE M8	WASHER
16	1	90100692	LÅSEMØTRIK M8	LOCKING NUT M8
17	1	444092	HOLDER	BUCKLE



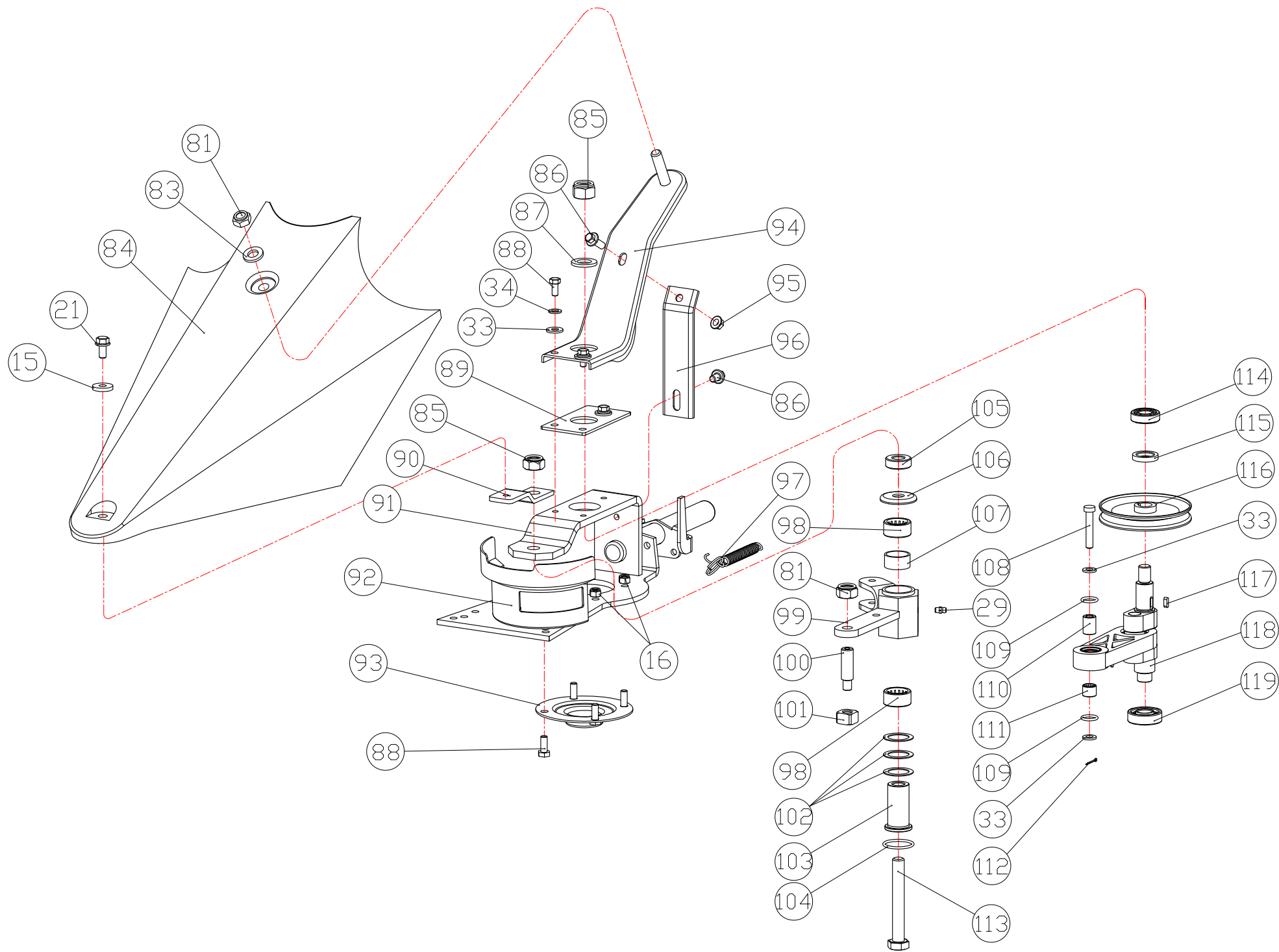
POS	QTY	PARTNUMBER	BESKRIVELSE	DESCRIPTION
18	1	444093	LC1P65FC MOTOR	ENGINE LC1P65FC
19	1	444094	BOLT 8X35	SPINDLE
20	1	444095	SKÆRM	FRONT COVER
21	1	90122150	FLANGEBOLT M8X20	COLLAR BOLT M8X20
22	1	444096	BESKYTTER FOR AKSEL	SHAFT COVER
23	1	444097	HJUL HØJRE	RIGHT WHEEL
24	1	444098	BASISRAMME	FRAME ASSEMBLE
25	1	444099	BØS	ROCKER BUSH
26	1	90102311	PLANSKIVE M10	FACE PLATE M10
27	1	422563	LÅSEMØTRIK M10	LOCKING NUT M10
28	1	444101	KOBLINGS BESLAG	CLUTCH ROCKER
29	1	444102	OLIESKRUE	OIL SCREW
30	1	444103	HJUL VENSTRE	LEFT WHEEL
31	1	444104	BOLT M8X40	BOLT
32	1	444105	RAMME	ENGINE SEAT
33	1	90120050	PLANSKIVE M8	FACE PLATE M8
34	1	444106	FJEDERSKIVE M10	SPRING WASHER
35	1	444107	LÅSEMØTRIK M8	LOCKNUT M8



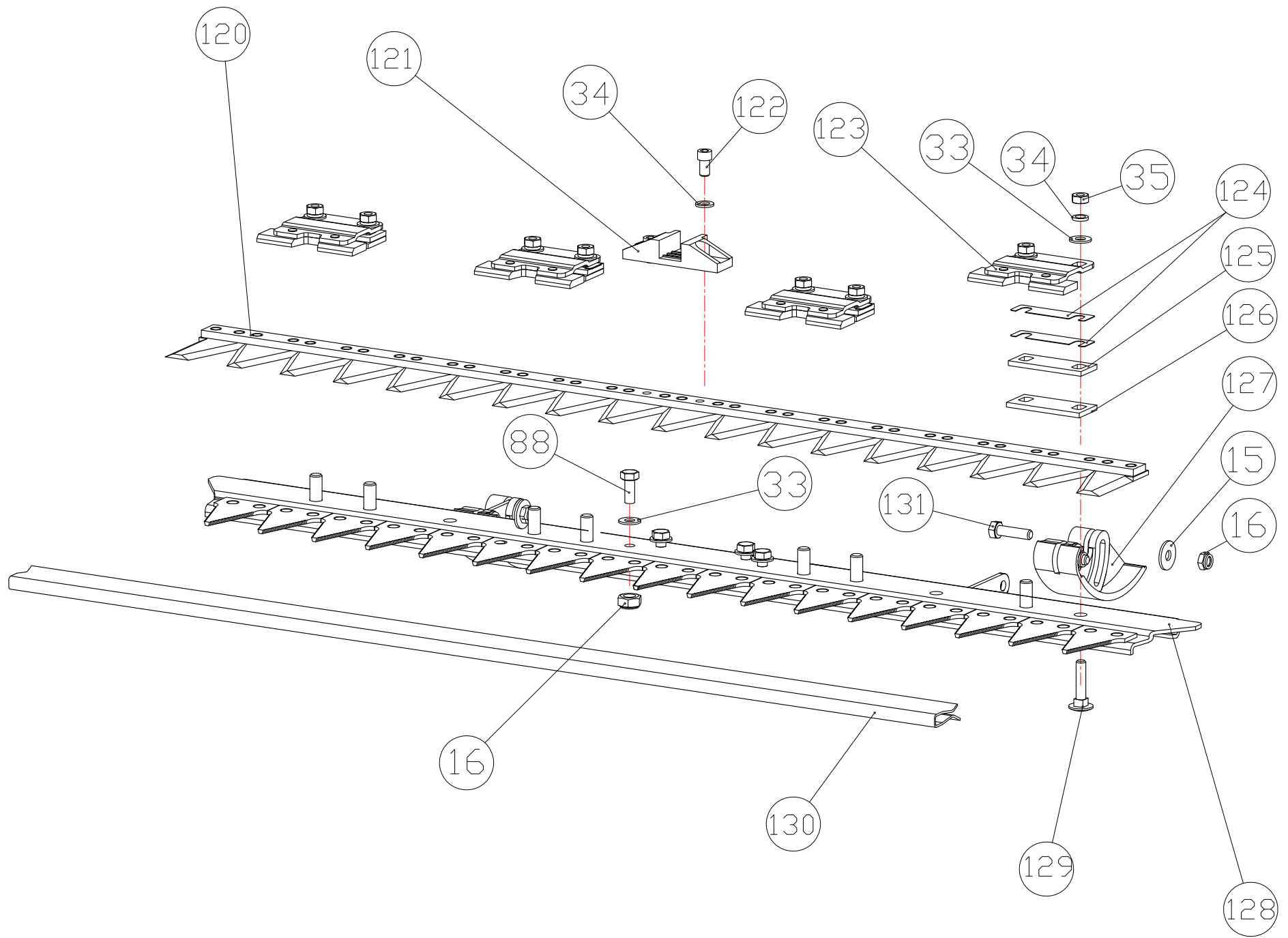
POS	QTY	PARTNUMBER	BESKRIVELSE	DESCRIPTION
36	1	444108	BUNDPROP	OIL BOLT
37	1	444109	OLIEPAKNING	OIL WASHER
38	1	444110	BOLT M10X25	BOLT
39	1	444111	FORRESTE DÆKSEL	FRONT TRANSMISSION COVER
40	1	444112	LEJE 6005-2Z	BEARING 6005-2Z
41	1	444113	STYREPLADE	CONNECT PAPER
42	1	444114	LEJE 16003-2Z	BEARING
43	1	465022	STANG	WORM
44	1	444115	KUGLELEJE	R UNCORK
45	1	444116	TANDHJUL	GEAR
46	1	444117	NOT 5X9X21	SUPPORT POLE
47	1	444118	PAKNING	MAT
48	1	444106	FJEDERSKIVE M10	SPRING WASHER
49	1	444119	PAKDÅSE 25X40X7	SEAL RINGF20X40X7
50	1	11GB/T9716	SKIVE M6	WASHER M6
51	1	444120	BAGERSTE DÆKSEL	RIGHT TRANSMISSION
52	1	444121	BØS	BLOCK RING
53	1	444122	AKSEL	SHAFT
54	1	444110	BOLT M10X25	BOLT



POS	QTY	PARTNUMBER	BESKRIVELSE	DESCRIPTION
55	1	90102311	PLANSKIVE M10	FACE PLATE M10
56	1	444123	LEJEHUS	UPPER BEARING SEAT
57	1	444187	LEJE 6203-RS	BEARING
58	1	444124	BØS	BUSH
59	1	444125	REMHJUL FOR FREMTRÆK	BELT WHEEL
60	1	444126	BØS	BUSH
61	1	444127	REM	BELT
62	1	444128	BOLT 5/16UNF24	BOLT5/16UNF24
63	1	444129	FJEDER	SPRING
64	1	444130	STIFT	KEY 4.7X4.7X25
65	1	444131	REMHJUL FOR MOTOR	DRIVER WHEEL
66	1	444132	STRAMMERULLE	CLUTCH WHEEL
67	1	444089	BOLT M8X35	BOLT
68	1	444133	REMHJUL	TRANSITION WHEEL
69	1	444134	AKSEL	TRANSITION SHAFT
70	1	444135	REM	FORWARD BELT
71	1	444136	LÅSEMØTRIK	LOCK WASHER
72	1	444137	REMHJUL	BELT WHEEL ASSEMBLY
73	1	444138	BØS	DOWN BUSH
74	1	444139	KOBLINGSPLADE	DOWN PUSH SEAT
75	1	444089	BOLT M8X35	BOLT
76	1	444140	BØS	UPPER BUSH
77	1	455166	REMHJUL 70MM	TRANSITION WHEEL ASSEMBLY (-2020)
78	1	444142	BØS	TRANSITION WHEEL BUSH
79	1	455167	REM SPZ775	SHAKE BELT (-2020)
80	1	444144	KOBLINGSARM FOR FREMTRÆK	FORWARD CLUTCH ARM
81	1	442523	LÅSEMØTRIK M12	LOCK NUT M12
82	1	444145	MØTRIK	NUT
83	1	444146	SKIVE M12	WASHER M12



POS	QTY	PARTNUMBER	BESKRIVELSE	DESCRIPTION
84	1	444147	SKÆRM	SHIELD
85	1	444083	LÅSEMØTRIK M14	LOCKNUT
86	1	444110	BOLT M10X25	BOLT
87	1	444100	SKIVE M14	WASHER
88	1	444089	BOLT M8X35	BOLT
89	1	444148	KRUMTAP AFDÆKNING	CRANKSHAFT BEARING COVER
90	1	444149	BESLAG	FENSE FRAME
91	1	444150	SAMLEBESLAG KPL	ROCKER ARM ASSEMBLY
92	1	444151	BESLAG	SHIELD OF STRAW
93	1	444152	KRUMTAPDÆKSEL	CRANKSHAFT SEAT
94	1	444153	BESLAG	FENSE FRAME
95	1	444154	MØTRIK M8	NUT
96	1	444151	BESLAG	SHIELD OF STRAW
97	1	444155	FJEDER	SPRING HOOK
98	1	444156	KUGLELEJE	BEARING HK2516
99	1	444157	SAMLESTYKKE	ROCKER ASSEMBLY
100	1	444158	PINBOLT	ROCKER BOLT
101	1	444159	JUSTERINGSMØTRIK	ROCKER BLOCK
102	1	444160	SKIVE	WASHER
103	1	444161	BOLT COVER	ROCKER SHAFT
104	1	444162	O-RING 31,5X2,65	O RING 31.5X2.65
105	1	444163	BØS	BUSH
106	1	444164	PAKNING	SEAL COVER
107	1	444165	LEJE	BLOCK RING
108	1	444166	PINBOLT 8X45	SHAFT PIN 8×45
109	1	444162	O-RING 31,5X2,65	O RING 31.5X2.65
110	1	444167	AKSEL FOR PINDBOLT	SMALL SHAFT
111	1	444156	KUGLELEJE	BEARING HK2516
112	1	444168	SPLIT 3.2X30	PIN3.2×30
113	1	444094	BOLT 8X35	SPINDLE
114	1	444169	LEJE 61904-2Z	BEARING
115	1	444170	BØS	BUSH
116	1	444171	REMHJUL	BELT WHEEL ASSEMBLY
117	1	444172	NOT 5X15	KEY 5X15
118	1	444173	DRIVAKSEL	CRANKSHAFT CONNECTING ROD ASSEMBLY
119	1	444080	LEJE 6203-2Z	BEARING



POS	QTY	PARTNUMBER	BESKRIVELSE	DESCRIPTION
120	1	444174	ØVRE SKÆR	UPPER BLADE BAR
121	1	444175	BESLAG	SWITCH BLOCK
122	1	444176	BOLT M8X14	SCREWM8X14
123	1	444177	BESLAG	WASHER PATCH
124	8	444178	HØJDEREGULERINGSKIVE	REGULATE WASHER
125	4	444179	HØJDEREGULERINGSBESLAG	PANEL?
126	4	444180	HØJDEREGULERINGSBESLAG	PANEL?
127	1	444181	HØJDEJUSTERINGSBLOK	HEIGHT REGULATE BLOCK
128	1	444182	NEDRE SKÆR	DOWN BLADE BAR
129	1	444079	BOLT M8X35	BOLT
130	1	444183	BESKYTTELSESLISTE	BLADE COVER
131	1	444089	BOLT M8X35	BOLT