

POS	QTY	PARTNUMBER	BESKRIVELSE	DESCRIPTION
1	1	452942	UNDER CHASSIS	CHASSIS
2	1	452943	OVER CHASSIS	ENGINE BASEMENT
3	1	452944	KLIPPESKJOLD	MAIN COVER
4	1	452945	SKÆRM HØJRE	RIGHT COVER
5	1	452946	SKÆRM VENSTRE	LEFT COVER
6	1	452947	BAGSKÆRM	REAR COVER
7	1	452948	FRONT BESLAG	FRONT BUMPER
8	1	452949	FRONTSKJOLD	FRONT COVER
9	1	452950	BESLAG TIL FRONTHJUL	FRONT SUPPORT WELDING
145	1	452951	HJULGAFFEL	WHEEL SUPPORT WELDING
11	1	452952	HJULBØJLE	GUIDE BAR
12	1	452953	REMSKÆRM	FRONT BELT COVER
13	1	452954	REMSKÆRM	BACK BELT COVER
14	1	452955	KNIVHOLDER	BLADE SHAFT BUSH
15	1	452956	KNIV AKSEL	BLADE SHAFT
16	1	452957	AKSEL	SHAFT BEARING BUSH
17	1	452958	KNIVHOLDER	BLADE BRACKET WELDING
18	1	452959	REMSKIVE	BLADE BRAKE PULLEY
19	1	452960	NOT	BRAKE BUSH
20	1	452961	BREMSE	BRAKE SHOES
21	1	452962	FJEDER	BRAKE SPRING
22	1	452963	BESLAG	TENSION ARM ASSEMBLE
23	1	452964	BØS	CABLE PULLEY SUPPORT BUSH
24	1	452965	BØSNING	CABLE PULLEY BUSH
25	1	452966	SKIVE	CABLE PULLEY
26	1	452967	BØSNING	CABLE PULLEY BRACKET
27	1	452968	LÅSERING	BELT BRACKET
28	1	452969	REMSKIVE	ENGINE PULLEY
29	1	452970	REMSKIVE	GEAR BOX PULLEY
30	1	452971	SPÆNDINGSBESLAG	PROPEL TENSION ARM WELDING
31	1	452972	BØS	PROPEL TENSION PULLEY
32	1	452973	GEARBOX	GEARBOX
33	1	452974	GEAR COVER VENSTRE	LEFT SUPPORT
34	1	452975	GEAR COVER HØJRE	RIGHT SUPPORT
35	1	452976	GEAR COVER NEDERST	BOTTOM COVER
36	2	452977	U BOLT M6X22	U BOLT M6X22
37	1	452978	NEDRE STYR	LOWER HANDLE
38	1	452979	ØVERST STYR VENSTRE	LEFT UPPER HANDLE
39	1	452980	ØVERSTE STYR HØJRE	RIGHT UPPER HANDLE
40	1	452981	PANEL	DASHBOARD
41	1	452982	KNIV	PIRATE BLADE 600
42	1	452983	LEJE	BLADE TENSION PULLEY
43	1	452984	NOT	BLADE TENSION BUSH
44	1	452985	SKIVE 12X15X2,5	CABLE PROTECT CIRCLE 12X15X2.5
45	2	452986	BOLT M6X20	NOB M6X20
46	1	452987	SPLIT 6X50	D PIN 6X50
48	1	452988	KABEL TIL AKTIVERING	POWER CABLE
55	1	452989	HJUL VENSTRE	WIDER 13 WHEEL LEFT 110

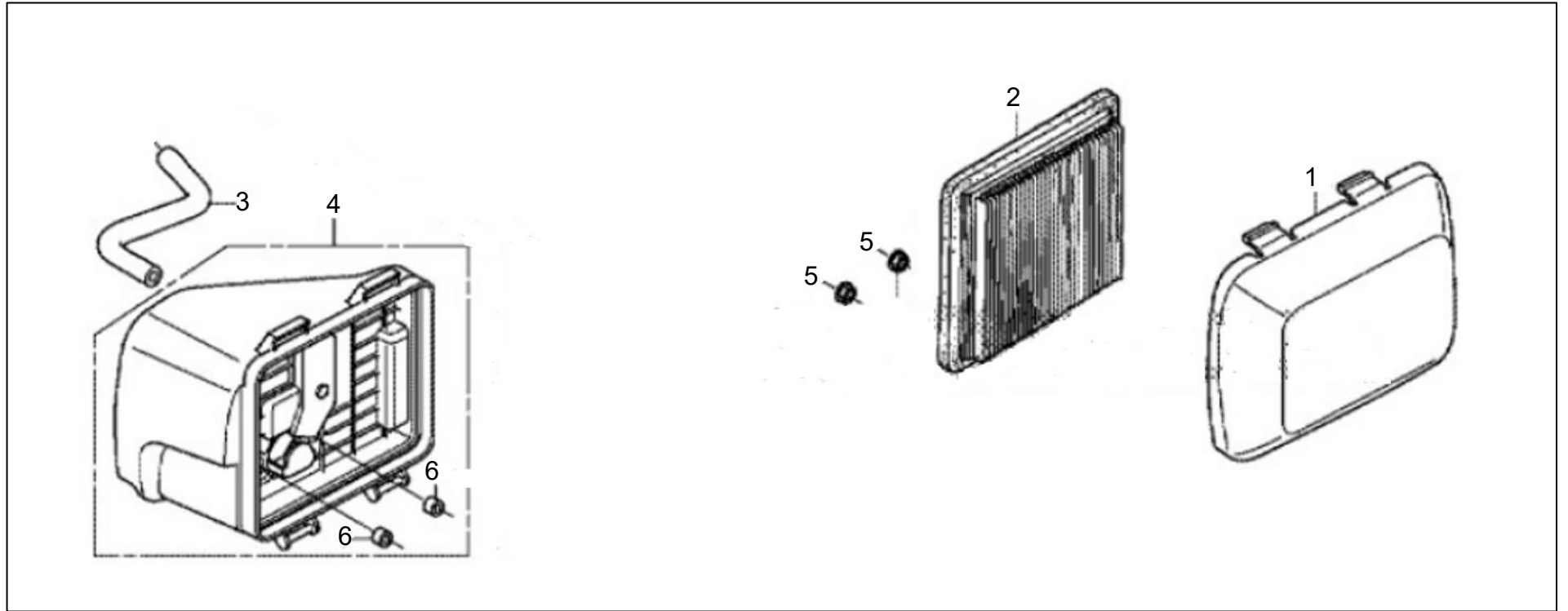
POS	QTY	PARTNUMBER	BESKRIVELSE	DESCRIPTION
56	1	452990	HJUL HØJRE	WIDER 13 WHEEL RIGHT 110
57	1	452991	DRIVREM Z620	BELT Z620
58	1	452992	KLIPPEREM 5LXA1070	BELT GATES 5LXA1070
59	1	442901	KOBLINGSFJEDER	CLUTCH RETURN SPRING
60	2	30000046	SKIVE PLAST	WASHER
61	1	452993	KOBLINGSGREB	CE CLUTCH HANDLE
62	1	452994	KOBLINGSGREB	SELF-PROPELLED HANDLE
63	1	444311	KOBLINGSKABEL FREMTRÆK	CLUTCH CABLE SELFPROPELLED
64	1	444336	BESLAG	BRACKET FOR CABLE
65	1	452995	HJULLEJE	CONNECTION BUSHING RF
66	1	444330	BØS	BUSHING
67	1	452996	HJULLEJE	CONNECTION BUSHING LF
68	1	444332	SKIFTEARM	SHIFT FORK
69	1	444333	FJEDER	SPRING FOR BUSHING
70	1	444334	AKSEL FOR SKIFTEARM	TURN FORK ROCKER SHAFT
71	1	444327	AFSTANDBØS	SPACE BUSHING
72	2	428313	HJULBØS FOR TRÆKAKSEL	WHEEL GLAND
73	1	444328	HJULAKSEL	AXLE FOR WHEEL
74	1	448911	HJUL MED LEJE 6"	WHEEL
75	11	448912	SKIVE	PLASTIC WASHER
76	3	448913	PLASTBØSNING	PLUG I
77	1	430587	SPLIT 4,5	CIRCLE PIN
78	1	90307948	PLASTHÅNDHJUL M8	KNOB
79	2	414303	GUMMIHÅNDTAG	HANDLE
80	4	425845	PLASTKLODS FOR HÅNDTAG	BLOCK
81	4	452997	FINGERSKRUE	QUICK NUT BLACK
82	1	452998	GASGREB UDEN KABEL	BLACK HANDLE THROTTLE BOX
83	1	448295	GASKABEL	GAS CABLE
84	28	444321	NITTE 5X10	RIVET 5X10
85	1	448917	BOLT M12X85	BOLT GB/T 5782 M12X85
86	1	90100664	MØTRIK M12	NUT M12
87	18	444292	BOLT M6X16	FLANGE BOLT M6X16
88	25	439087	MØTRIK M6	NUT M6
89	14	438978	BOLT M8X20	BOLT M8X20
90	33	442909	MØTRIK M8 M8	NUT M8
91	5	452999	BOLT M6X16,5	NUT GB/T 17880 M6X16.5
92	15	90102311	PLANSKIVE M10	FACE PLATE M10
93	2	453000	BOLT M6X70	BOLT GB/T 5782 M6X70
94	8	442297	MØTRIK M8	NUT M8
95	2	90102744	SÆTBOLT 8.8 M8X25	SET BOLT M8X25
96	3	90102920	STÅLBOLT 8.8 M8X65	STEEL BOLT M8X65
97	5	437462	SKIVE 8	WASHER 8
98	1	453001	BOLT M8X70	BOLT GB/T 5782 M8X70
99	1	444369	STÅLBOLT M10X55	NUT M10×55
100	1	444373	MØTRIK M10	NUT M10
101	4	453002	LÅSERING	CIRCLIP GB/T 893.1 35
102	2	453003	LEJE	BEARING GB/T 276 6300 2RS
103	1	453004	REMSKIVE	BEARING GB/T 276 608 2Z
104	1	436385	BOLT M6X55	BOLT M6X55

POS	QTY	PARTNUMBER	BESKRIVELSE	DESCRIPTION
105	2	442911	MØTRIK M6	NUT M6
106	2	436386	SKIVE M6	WASHER 6
107	2	448901	STIFT 8X30	KEY GB/T 1096 8X30
108	1	453005	BOLT M10X20 LH	BOLT GB/T 5783 M10X20 LH
109	1	426590	PLANSKIVE M10	WASHER M10
110	3	438958	BOLT M10X25	BOLT M10X25
111	2	90100663	MØTRIK M10	NUT M10
112	1	438945	FJEDERSKIVE 10	SPRING WASHER 10
113	2	435470	LEJE 6005 2RS 6005	BEARING 6005 2RS
114	13	439089	SKIVE M8	WASHER 8
115	2	428324	FLANGEBOLT M8X45	COLLAR BOLT M8X45
116	2	448017	FLANGEBOLT M8X25	HEXAGON FLANGE BOLT M8X25
117	4	442296	MØTRIK M6	NUT M6
118	2	453006	BOLT M8X95	BOLT GB/T 5782 M8X95
119	3	437443	BOLT M8X45	BOLT M8X45
120	1	442320	LÅSERING 15 15	CIRCLIP 15
121	2	453007	REMSKIVE	BEARING GB/T 276 6202 2RS
122	1	453008	BOLT M8X40	BOLT GB/T 14 M8X40
126	7	448231	BOLT M8X40	BOLT GB/T 5782 M8X40
127	4	442914	BOLT M8X55	BOLT M8X55
128	1	453009	BOLT M8X30	BOLT GB/T 5783 M8X30
129	3	438947	BOLT M6X14	FLANGE BOLT M6X14
130	1	453010	BOLT 2BX20	BOLT 3/8 24UNF 2BX20
131	2	453011	NOT 4.75X38	ENGINE FLAT KEY FB/T 1096 4.75X38
132	11	90102195	FJEDERSKIVE M6	SPRING COLLAR M6
133	7	90102741	SÆTBOLT 8.8 M8X16	SET BOLT M8X16
134	2	453012	BOLT M8X16	BOLT GB/T 70.1 M8X16
135	3	444346	SPÆNDESKIVE 8	BIG WASHER 8
136	1	444371	BOLT LINKS M8X20 LH	BOLT M8x20-LH
137	1	444296	FJEDERSKIVE 17.3X23X0.4	WAVE SPRING WASHERS 16
138	1	444348	NOT 6X25	PIN 6X25
139	2	444344	BOLT M6X20	FLANGE BOLT M6X20
140	2	90100661	MØTRIK M6	NUT M6
141	1	419831	SEEGERRING U19	RETAINER RING U19
142	1	444342	PAL 8X30	PIN
143	1	GCV200H	GCV200H	

Model: Honda airfilter

Part Number: GCV200H

Year: 2024



POS	QTY	PARTNUMBER	BESKRIVELSE	DESCRIPTION
1	1	453619	COVER LUFTFILTER	AIR FILTER COVER
2	1	453620	LUFTFILTER	FILTER ELEMENT
3	1	453621	LUFTRØR	AIR PIPE
4	1	453622	SUPPORT LUFTFILTER	AIR FILTER SUPPORT
5	1	453623	FLANGEMØTRIK	FLANGE NUT
6	1	453624	BØS	AIR FOLTER BUSH