

TDL 484 TR

TDL 484 TR-E

AR 2000

TDL 534 TR

TDL 534 TR-E

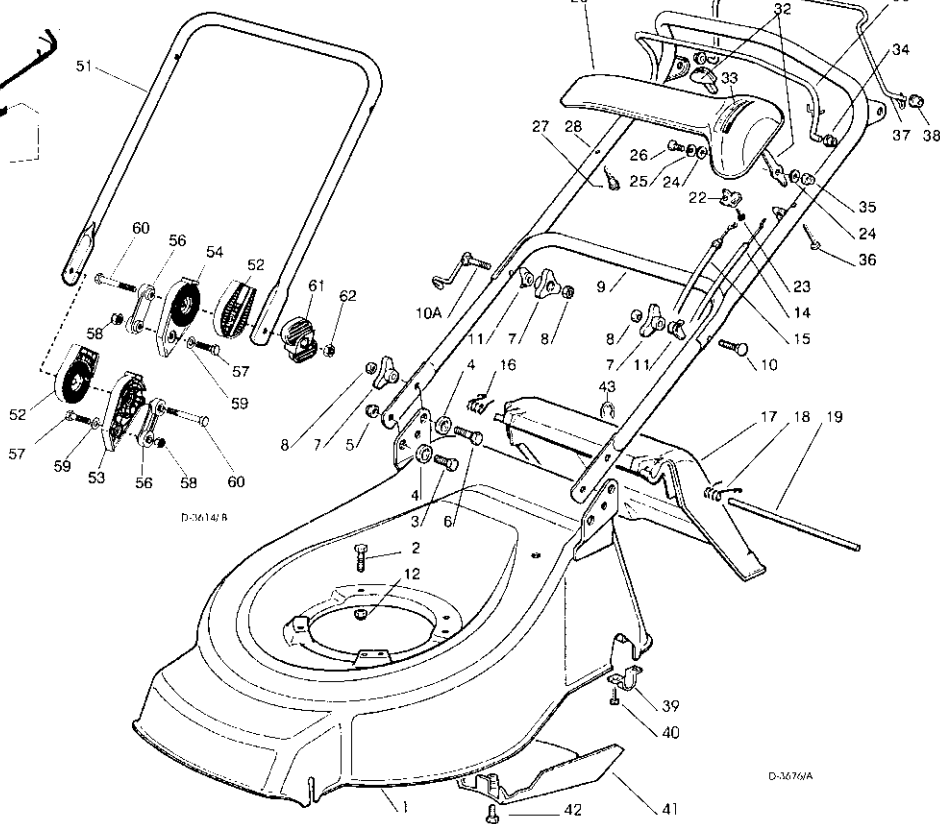
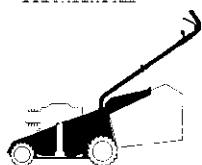
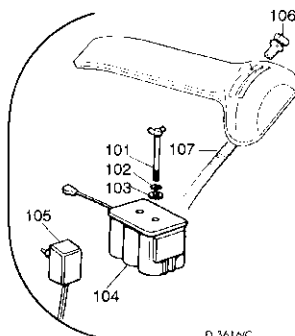
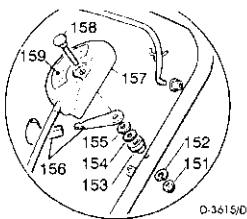
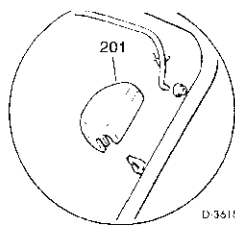
Model TD 534 tr

CHASSIS
MANICO
COMANDI
DOTAZIONE VITERIE

DECK
HANDLE
CONTROLS
SCREWS OUTFITS

CHÂSSIS
MANCHERON
COMMANDES
DOTATION VISSERIE

GEHÄUSE
HOLM
BETÄTIGUNGEN



GB SPARE PARTS CATALOGUE

D ERSATZTEILKATALOG

I CATALOGO DELLE PARTI
DI RICAMBIO

F CATALOGUE DES PIÈCES
DE RECHANGE

Pos. Nr.	Codice Code Kodex	Q.tà Q.ty-Q.tè Menge	Descrizione	Description	Description	Beschreibung
1			CHASSIS	DECK	CHÂSSIS	GEHÄUSE
—	81001648/0	1	ROSSO TDL 484 TR	RED TDL 484 TR	ROUGE TDL 484 TR	ROTES TDL 484 TR
—	81001649/0	1	GIALLO TDL484 TR	YELLOW TDL 484 TR	JAUNE TDL 484 TR	GELBES TDL 484 TR
—	81001650/0	1	VERDE TDL 484 TR	GREEN TDL 484 TR	VERT TDL 484 TR	GRÜNES TDL 484 TR
—	81001666/0	1	ROSSO TDL 484 TR-E	RED TDL 484 TR-E	ROUGE TDL 484 TR-E	ROTES TDL 484 TR-E
—	81001667/0	1	GIALLO TDL 484 TR-E	YELLOW TDL 484 TR-E	JAUNE TDL 484 TR-E	GELBES TDL 484 TR-E
—	81001668/0	1	VERDE TDL 484 TR-E	GREEN TDL 484 TR-E	VERT TDL 484 TR-E	GRÜNES TDL 484 TR-E
—	81001747/1	1	ROSSO TDL 534 TR	RED TDL 534 TR	ROUGE TDL 534 TR	ROTES TDL 534 TR
—	81001748/1	1	GIALLO TDL 534 TR	YELLOW TDL 534 TR	JAUNE TDL 534 TR	GELBES TDL 534 TR
—	81001749/1	1	VERDE TDL 534 TR	GREEN TDL 534 TR	VERT TDL 534 TR	GRÜNES TDL 534 TR
—	81001750/1	1	ROSSO TDL 534 TR-E	RED TDL 534 TR-E	ROUGE TDL 534 TR-E	ROTES TDL 534 TR-E
—	81001751/1	1	GIALLO TDL 534 TR-E	YELLOW TDL 534 TR-E	JAUNE TDL 534 TR-E	GELBES TDL 534 TR-E
—	81001752/1	1	VERDE TDL 534 TR-E	GREEN TDL 534 TR-E	VERT TDL 534 TR-E	GRÜNES TDL 534 TR-E
2			VITE	SCREW	VIS	SCHRAUBE
—	12793700/0	3/2	(M8X30)	(M8X30)	(M8X30)	(M8X30)
—	12691800/0	0/1	(M8X60)	(M8X60)	(M8X60)	(M8X60)
3			VITE	SCREW	VIS	SCHRAUBE
4			BUSSOLA	BUSH	DOUILLE	BUCHSE
5			DADO	NUT	ECROU	MUTTER
6			VITE	SCREW	VIS	SCHRAUBE
7			MANOPOLINA	KNOB	POIGNÉE	GRIFF
8			DADO	NUT	ECROU	MUTTER
9			PARTE INF. MANICO	LOWER HANDLE	PARTIE INF. MANCHERON	UNTERHOLM

Pos. Nr.	Codice Code Kodex	Q.tà Q.ty-Q.tè Menge	Descrizione	Description	Description	Beschreibung
10	12819201/0	1	VITE	SCREW	VIS	SCHRAUBE
10A	81003801/0	1	MOLLA GUIDA	SPRING	RESSORT	FEDER
11	22680006/1	2	RONDELLA	WASHER	RONDELLE	SCHEIBE
12	12293201/0	3/2	DADO	NUT	ECROU	MUTTER
—	12155000/0	0/1	DADO	NUT	ECROU	MUTTER
14	81007160/0	1	CAVO ACCELERATORE	THROTTLE CABLE	CABLE ACCELERATEUR	BESCHLEUNIGER KABEL
15	81000629/1	1	CAVO FRENO MOTORE	THREAD MOTOR BRAKE	CABLE FREIN MOTEUR	MOTORBREMSEKABEL
—	81000631/0	1	TDL 484 (TECUMSEH)	TDL 484 (TECUMSEH)	TDL 484 (TECUMSEH)	TDL 484 (TECUMSEH)
—	81000625/0	1	TDL 484 (QUANTUM XM-ES 40)	TDL 484 (QUANTUM XM-ES 40)	TDL 484 (QUANTUM XM-ES 40)	TDL 484 (QUANTUM XM-ES 40)
—	81000638/0	1	TDL 484 (SPRINT 375/ QUATTRO)	TDL 484 (SPRINT 375/ QUATTRO)	TDL 484 (SPRINT 375/ QUATTRO)	TDL 484 (SPRINT 375/ QUATTRO)
—	81000641/0	1	TDL 484 (HONDA GV 100)	TDL 484 (HONDA GV 100)	TDL 484 (HONDA GV 100)	TDL 484 (HONDA GV 100)
—	81000642/0	1	TDL 484 (HONDA GCV 135/ 160)	TDL 484 (HONDA GCV 135/ 160)	TDL 484 (HONDA GCV 135/ 160)	TDL 484 (HONDA GCV 135/ 160)
—	81000643/0	1	TDL 534 (QUANTUM XM-ES 40)	TDL 534 (QUANTUM XM-ES 40)	TDL 534 (QUANTUM XM-ES 40)	TDL 534 (QUANTUM XM-ES 40)
—	81000644/0	1	TDL 534 (SPRINT 375/ QUATTRO)	TDL 534 (SPRINT 375/ QUATTRO)	TDL 534 (SPRINT 375/ QUATTRO)	TDL 534 (SPRINT 375/ QUATTRO)
—	81000640/0	1	TDL 534 (TECUMSEH)	TDL 534 (TECUMSEH)	TDL 534 (TECUMSEH)	TDL 534 (TECUMSEH)
—	81000640/0	1	TDL 534 (HONDA GCV 135/ 160)	TDL 534 (HONDA GCV 135/ 160)	TDL 534 (HONDA GCV 135/ 160)	TDL 534 (HONDA GCV 135/ 160)
16	22450410/1	1	MOLLA DX	RIGHT SPRING	RESSORT DROITE	RECHTE FEDER
17	22600046/1	1	PARASASSI	STONE-GUARD	PARE-PIERRES	PRALLBLECH
18	22450420/1	1	MOLLA SX	LEFT SPRING	RESSORT GAUCHE	LINKE FEDER
19	22517906/1	1	PERNO	PIN	PIVOT	BOLZEN
22	22981467/0	1	PIASTRINA	PLAQUE	PLAQUETTE	PLATTE
23	12735105/0	2	VITE	SCREW	VIS	SCHRAUBE
24	12523040/0	2	RONDELLA	WASHER	RONDELLE	SCHEIBE
25	12530060/0	1	RONDELLA ELASTICA	SPRING WASHER	RONDELLE ELASTIQUE	ELASTISCHE SCHEIBE
26	12791500/0	1	VITE	SCREW	VIS	SCHRAUBE
27	22943006/0	1	VITE	SCREW	VIS	SCHRAUBE
28	81007024/0	1	PORTE SUP. MANICO	UPPER HANDLE	PARTIE SUP. MANCHERON	OBERHOLM
29	22120154/0	1	CRUSCOTTO	DASH BOARD	CONSOLE	KONSOLE
—	22120152/0	1	ROSSO	RED	ROUGE	ROTE
—	22120158/0	1	GIALLO	YELLOW	JAUNE	GELBE
—	22120158/0	1	NERO	BLACK	NOIRE	SCHWARZE
30	81003291/2	1	LEVA FRENO MOTORE	BRAKE LEVER	LEVIER FREIN MOTEUR	MOTORBREMSEHEBEL
31	22291050/0	1	IMPUGNATURA MANICO	HANDGRIP	POIGNÉE	HANDGRIFF
—	22291051/0	1	NERA	BLACK	NOIRE	SCHWARZER
—	22291052/0	1	ROSSA	RED	ROUGE	RÖTER
—	22291052/0	1	GIALLA	YELLOW	JAUNE	GELBER
32	81007280/2	1	ASS. LEVA + MANOPOLINA	LEVER + KNOB ASS. Y	ENS. LEVIER + POIGNÉE	HEBEL + GRIFF SATZ
33	14356743/0	1	ETICHETTA (TECUMSEH-HONDA)	LABEL (TECUMSEH-HONDA)	ETIQUETTE (TECUMSEH-HONDA)	ETIKETTE (TECUMSEH-HONDA)
—	14356744/0	1	(B&S)	(B&S)	(B&S)	(B&S)
34	22041966/0	1	BOCCOLA	BUSH	DOUILLE	BUCHSE
35	12154510/0	1	DADO	NUT	ECROU	MUTTER
36	12728460/0	1	VITE	SCREW	VIS	SCHRAUBE
37	81003288/1	1	LEVA TRAZIONE	DRIVING LEVER	LEVIER TRACTION	ANTRIEBHEBEL
38	22041965/0	2	BOCCOLA	BUSH	DOUILLE	BUCHSE
39	22545152/0	2	PIASTRINA	PLAQUE	PLAQUETTE	PLATTE
40	12731350/0	4	VITE	SCREW	VIS	SCHRAUBE
41	22060192/0	1	CARTER (TDL 484)	BELT PROTECTION (TDL 484)	PROTECTION COURROIRE (TDL 484)	RIEMENSCHUTZ (TDL 484)
—	22060193/0	1	(TDL 534)	(TDL 534)	(TDL 534)	(TDL 534)
42	12727791/0	1	VITE	SCREW	VIS	SCHRAUBE
43	12000930/0	1	ANELLO ELASTICO	SNAP RING	ANNEAU RESSORT	SPRENGRING
—	81008614/1	1	DOTAZIONE VITERIA	SCREWS OUTFIT	DOTATION VISSERIE	SCHRAUBEN SATZ
—	81008609/0	1	DOTAZIONE CRUSCOTTO	DASH-BOARD OUTFIT	DOTATION CONSOLE	KONSOLE SATZ

VARIANTE REGOLAZIONE MANICO

HANDLE ADJUSTMENT VARIANT

VARIANTE REGLAGE POIGNEE

GRIFFEINSTELLVARIANTE

51	81006510/0	1	PORTE INF. MANICO	LOWER HANDLE	PARTIE INF. MANCHERON	UNTERHOLM
52	22785081/0	2	SUPPORTO ESTERNO	EXTERNAL SUPPORT	SUPPORT EXTERNE	AÜßERE HALTERUNG
53	22785082/0	1	SUPPORTO INTERNO DX	R. INTERNAL SUPPORT	SUPPORT INTERNE DROIT	INNERE HALTERUNG RECHTS
54	22785083/1	1	SUPPORTO INTERNO SX	L. INTERNAL SUPPORT	SUPPORT INTERNE GAUCHE	INNERE HALTERUNG LINKS
56	22551575/0	2	PIASTRINA INTERNA	INSIDE PLAQUE	PLAQUETTE INTERNE	INNERE PLATTE
57	12793701/0	2	VITE	SCREW	VIS	SCHRAUBE
58	12155000/0	2	DADO	NUT	ECROU	MUTTER
59	12521350/0	2	RONDELLA	WASHER	RONDELLE	SCHEIBE
60	12691810/0	2	VITE	SCREW	VIS	SCHRAUBE
61	22399803/0	2	MANOPOLINA	KNOB	POIGNÉE	GRIFF
62	12293202/0	2	DADO	NUT	ECROU	MUTTER
—	81008623/0	1	DOTAZ. VITERIA	SCREWS OUTFIT	DOTATION VISSERIE	SCHRAUBEN SATZ

VARIANTI PER AVVIAMENTO ELETTRICO

PARTS FOR ELECTRIC START

COMPOSANTS POUR DÉMARRAGE ÉLECTRIQUE

ELEKTROSTART BESTANDTEILE

101	22517855/0	2	PERNO	PIN	PIVOT	BOLZEN
102	12523000/0	2	RONDELLA	WASHER	RONDELLE	SCHEIBE
103	12540020/0	2	RONDELLA	WASHER	RONDELLE	SCHEIBE
104	18120050/0	1	BATTERIA	BATTERY	BATTERIE	BATTERIE
105	18204110/0	1	CARICA BATTERIA	BATTERY CHARGER	CHARGEUR DE BATTERIE	LADGERÄT
106	18450050/0	1	INTERRUTTORE	SWITCH	INTERRUPTEUR	SCHALTER
107	18204190/2	1	CAVO AVVIAMENTO	START CABLE	CABLE DÉMARRAGE	STARTKABEL

VARIANTE ACCELERATORE

THROTTLE VARIANTS

VARIANTES COMMANDE D'ACCELERATION

ÄNDERUNGEN AUF GASHEBEL

151	12291000/0	1	DADO	NUT	ECROU	MUTTER
-----	------------	---	------	-----	-------	--------

Pos. Nr.	Codice Code Kodex	Q.tà Q.ty-Q.tè Menge	Descrizione	Description	Description	Beschreibung
152	12581500/0	1	GROWER	GROWER	GROWER	FEDERRING
153	22171005/0	1	DISTANZIALE	SPACER	ENTRETOISE	DISTANZRING
154	12521360/0	1	RONDELLA	WASHER	RONDELLE	SCHEIBE
155	12508100/0	1	RONDELLA ELASTICA	SPRING WASHER	RONDELLE ELASTIQUE	ELASTISCHE SCHEIBE
156	81007279/0	1	ASS. LEVA+MANOPOLINA	LEVER+KNOB ASS.Y	ENS. LEVIER+POIGNEE	HEBEL+GRIFF SATZ
157	81007080/0	1	ASSIEME ACCELERATORE	TROTTLE UNIT ASS.Y	ENS. ACCELERATEUR	BESCHLEUNIGER SATZ
158	12815000/0	1	VITE	SCREW	VIS	SCHRAUBE
159	ETICHETTA (TECUMSEH-HONDA) (B&S)	1	ETICHETTA (TECUMSEH-HONDA) (B&S)	LABEL (TECUMSEH-HONDA) (B&S)	ETIQUETTE (TECUMSEH-HONDA) (B&S)	ETIKETTE (TECUMSEH-HONDA) (B&S)
			VARIANTE REGIME FISSO	FIXED SPEED VARIANTS	VARIANTES POUR MODÈLE À REGIME FIXE	ÄNDERUNGEN FÜR MODELLE MIT FIXIERTER DREHZAHL
201	22601000/0		PROTEZIONE	PROTECTION	PROTECTION	SCHUTZ

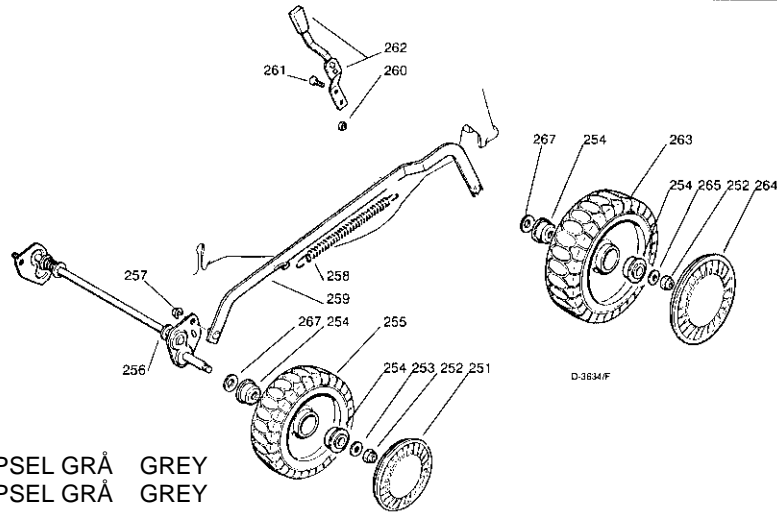
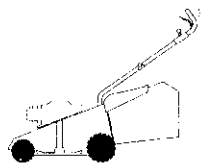
T-3615/E

RUOTE E REGOLAZIONE

WHEELS AND HEIGHT ADJUSTING

ROUES ET REGLAGE HAUTER DE COUPE

RÄDER UND SCHNITTHÖHEVERSTELLUNG



251	22110300-0	2	HJULKAPSEL GRÅ	GREY
264	22110301-0	2	HJULKAPSEL GRÅ	GREY

T-3676/1/F

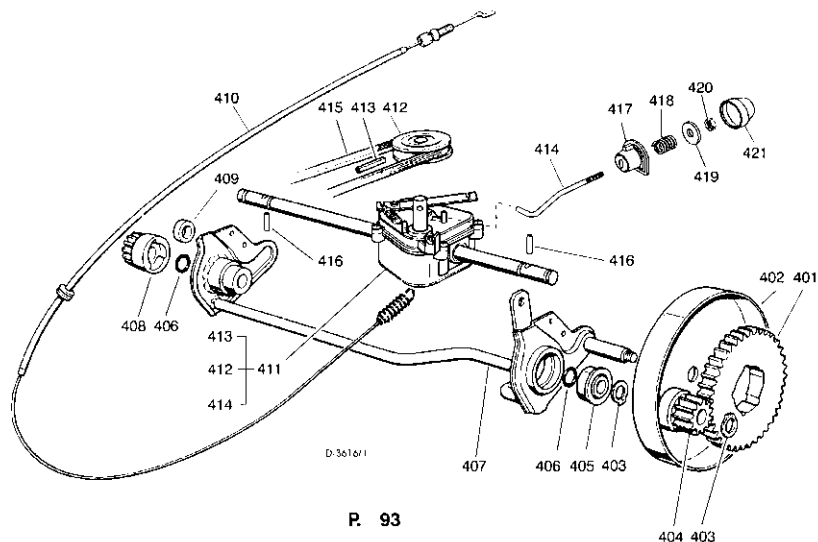
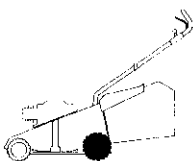
251	22110282/0	2	COPRIMOZZO	HUB CAP	COUVRE-MOYEU	RADKAPPE
—	22110288/0	2	BIANCO	WHITE	BLANC	WEIßE
—	22110288/0	2	GIALLO	YELLOW	JAUNE	GELBE
—	22110290/0	2	ROSSO	RED	ROUGE	ROTE
252	12155000/0	4	DADO	NUT	ECROU	MUTTER
253	12521350/0	2	RONDELLA	WASHER	RONDELLE	SCHEIBE
254	22122200/0	8	CUSCINETTO	BEARING	COUSSINET	KUGELLAGER
255	81007317/0	2	RUOTA SCOLPITA Ø 170	KNOBBLY WHEEL Ø 170	ROUE SCULPTEE Ø 170	RAD M. STOLLENPR. Ø 170
256	ASSE RUOTA ANTERIORE		ASSE RUOTA ANTERIORE	FRONT WHEELS AXLE	AXE ROUES AVANT	VORDERRADACHSE
—	81001274/1	1	TDL/ 484	TDL/ 484	TDL/ 484	TDL/ 484
—	81001223/1	1	TDL/ 534	TDL/ 534	TDL/ 534	TDL/ 534
257	12436050/0	2	PIASTRINA	PLATE	PLAQUETTE	PLÄTTCHEN
258	22446180/0	1	MOLLA	SPRING	RESSORT	FEDER
259	ASTA (TDL 484)	1	ASTA (TDL 484)	ROD (TDL 484)	TIGE (TDL 484)	STANGE (TDL 484)
—	81001264/0	1	(TDL 534)	(TDL 534)	(TDL 534)	(TDL 534)
260	12154330/0	2	DADO	NUT	ECROU	MUTTER
261	12789000/0	2	VITE	SCREW	VIS	SCHRAUBE
262	81003279/2	1	LEVA REGOLAZIONE	ADJUSTMENT LEVER	LEVIER REGLAGE	VERSTELLUNGHEBEL
263	81007318/1	2	RUOTA SCOLPITA Ø 210	KNOBBLY WHEEL Ø 210	ROUE SCULPTEE Ø 210	RAD M. STOLLENPR. Ø 210
264	COPRIMOZZO		COPRIMOZZO	HUB CAP	COUVRE-MOYEU	RADKAPPE
—	22110281/0	2	BIANCO	WHITE	BLANC	WEIßE
—	22110287/0	2	GIALLO	YELLOW	JAUNE	GELBE
—	22110289/0	2	ROSSO	RED	ROUGE	ROTE
265	12369500/0	2	DISCO ELASTICO	ELASTIC DISK	RONDELLE ELASTIQUE	SCHEIBE

GRUPPO TRAZIONE

REAR DRIVE

GROUPE TRACTION

ANTRIEB



T-3676/1/1

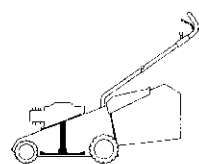
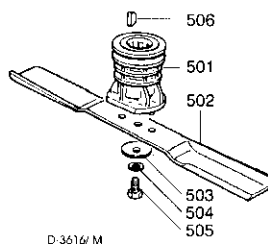
Pos. Nr.	Codice Code Kodex	Q.tà Q.ty-Q.tè Menge	Descrizione	Description	Description	Beschreibung
401	22120105/ 1	2	CORONA	RING GEAR	COURONNE	KRANZ
402	81006846/ 0	2	PROTEZIONE RUOTE	WHEEL GUARD	PROTECTION ROUE	RÄDERSCHUTZ
403	12608600/ 0	4	SEEGER	SEEGER	SEEGER	SEEGER
404	22570120/ 0	1	PIGNONE SINISTRO	LEFT PINION	PIGNON GAUCHE	LINKES RITZEL
405	22122200/ 0	2	CUSCINETTO	BEARING	COUSSINET	LAGER
406	12019900/ 0	2	ANELLO OR	OR RING	BAGUE OR	RING OR
407	81001252/ 1	1	ASSE RUOTE POSTERIORE	REAR WHEELS AXLE	AXE ROUES ARRIERE	HINTERRADACHSE
408	22570110/ 0	1	PIGNONE DESTRO	RIGHT PINION	PIGNON DROITE	RECHTES RITZEL
409	22170800/ 0	1	DISTANZIALE	SPACER	ENTRETOISE	DISTANZRING
410	81001143/ 0	1	ASS. COMANDO TRAZIONE	REAR DRIVE ASS.Y	ENS. COMMANDE TRACTION	ANTRIEBKABEL
411	81003059/ 0	1	ASS. GRUPPO TRAZIONE (PLASTICA)	GEAR BOX ASS.Y (PLASTIC)	ENS. GROUPE TRACTION (PLASTIQUE)	ANTRIEBSATZ (KUNSTSTOFF)
—	81003060/ 1	1	(ALLUMINIO)	(ALUMINIUM)	(ALUMINIUM)	(ALUMINIUM)
412	22601904/ 0	1	PULEGGIA 4 KM/ H	PULLEY 4 KM/ H	POULIE 4 KM/ H	RIEMENSCHLEIBE 4 KM/ H
413	12645705/ 0	1	SPINA	PIN	GOUPILLE	STIFT
414	22033280/ 0	1	ASTA REGOLAZIONE	ADJUSTMENT ROD	TIGE REGLAGE	VERSTELLUNGSTANGE
415	35063800/ 0	1	CINGHIA	BELT	COURROIE	RIEMEN
—	35063902/ 0	1	Z 27 (TDL 484)	Z 27 (TDL 484)	Z 27 (TDL 484)	Z 27 (TDL 484)
—	35063902/ 0	1	Z 29.5 (TDL 534)	Z 29.5 (TDL 534)	Z 29.5 (TDL 534)	Z 29.5 (TDL 534)
416	22753000/ 0	2	SPINA	PIN	GOUPILLE	STIFT
417	22041957/ 0	1	BUSSOLA	BUSH	DOUILLE	BUCHSE
418	22450063/ 0	1	MOLLA	SPRING	RESSORT	FEDER
419	22680009/ 0	1	RONDELLA	WASHER	RONDELLE	SCHEIBE
420	12154510/ 0	1	DADO	NUT	ECROU	MUTTER
421	22110230/ 0	1	TAPPO	CAP	BOUCHON	GUMMISTOPFEN

GRUPPO COLTELLO

BLADE ASS.Y

GROUPE LAME

MESSERSATZ



D 3616/ M

T-3624/ M

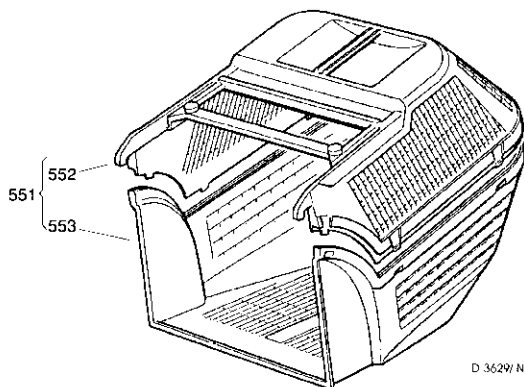
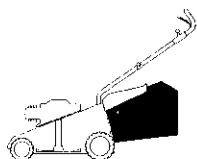
501	22465607/ 0	1	MOZZO CON PULEGGIA	HUB WITH PULLEY	MOYEU AVEC POULIE	NABE MIT SCHEIBE
502	81004346/ 2	1	COLTELLO	BLADE	LAME	MESSER
—	81004397/ 0	1	STANDARD 46 cm	STANDARD 46 cm	STANDARD 46 cm	STANDARD 46 cm
—	81004381/ 0	1	WINGED 46 cm	WINGED 46 cm	AILETTÉE 46 cm	FLÜGEL 46 cm
—	81004398/ 0	1	STANDARD 51 cm	STANDARD 51 cm	STANDARD 51 cm	STANDARD 51 cm
—	81004398/ 0	1	ALETTATO 51 cm	WINGED 51 cm	AILETTÉE 51 cm	FLÜGEL 51 cm
503	22160400/ 0	1	RONDELLA ELASTICA	SPRING WASHER	RONDELLE ELASTIQUE	ELASTISCHE SCHEIBE
504	12523080/ 0	1	RONDELLA	WASHER	RONDELLE	SCHEIBE
505	12735698/ 0	1	VITE	SCREW	VIS	SCHRAUBE
506	12139100/ 0	1	LINGUETTA	FEATHER	CLAVETTE	KEIL

SACCO RACCOGLIERBA

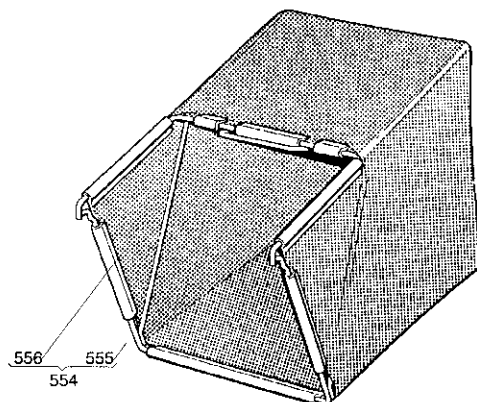
GRASS-CATCHER

BAC DE RAMASSAGE

GRASFANGKORB



D 3629/ N



T-3629/ N

551	94004000/ 1	1	SACCO COMPLETO	COMPLETE GRASS-BOX	SAC COMPLET	KOMPLETTER KORB
552	22486073/ 0	1	PARTE SUP. SACCO	UPPER GRASS BOX	PARTIE SUP SAC	OBERSKORB
553	22486074/ 0	1	PARTE INF. SACCO	LOWER GRASS BOX	PARTIE INF. SAC	UNTERS KORB
554	94005000/ 0	1	ASS. SACCO IN TELA	CANVASS GRASSCATCHER ASS.Y	ENSEMBLE SAC EN TOILE	KOMPLETTER SACK
555	81006418/ 0	1	TELAIO	CHASSIS	CHÂSSIS	RAHMEN
556	81002105/ 2	1	TELA SACCO	FABRIC BOX	TOILE POUR SAC	TUCK FÜR SACK