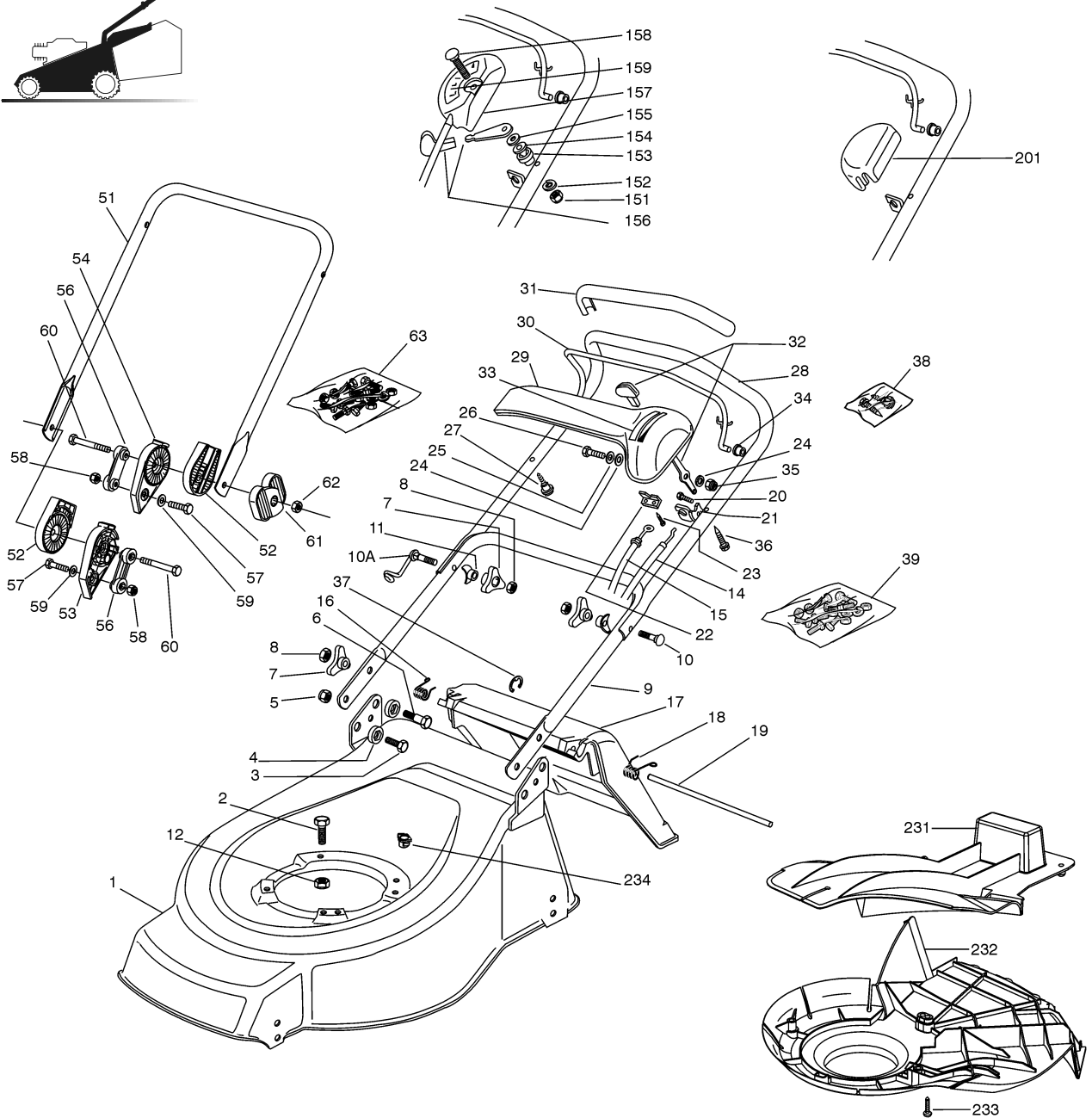


01D\_TD434



01T.021

| Pos. | Code       | Q.ty | Descrizione    | Description | Description   | Beshreibung  | Remarks           |
|------|------------|------|----------------|-------------|---------------|--------------|-------------------|
| 1    | 81001338/0 | 1    | CHASSIS ROSSO  | DECK RED    | CHÂSSIS ROUGE | GEHÄUSE ROT  | (TD 434)          |
| -    | 81001348/0 | 1    | CHASSIS GIALLO | DECK YELLOW | CHÂSSIS JAUNE | GEHÄUSE GELB | (TD 434)          |
| -    | 81001370/0 | 1    | CHASSIS VERDE  | DECK GREEN  | CHÂSSIS VERT  | GEHÄUSE GRÜN | (TD 434)          |
| -    | 81001339/0 | 1    | CHASSIS ROSSO  | DECK RED    | CHÂSSIS ROUGE | GEHÄUSE ROT  | (TD 484)          |
| -    | 81001350/0 | 1    | CHASSIS GIALLO | DECK YELLOW | CHÂSSIS JAUNE | GEHÄUSE GELB | (TD 484)          |
| -    | 81001372/0 | 1    | CHASSIS VERDE  | DECK GREEN  | CHÂSSIS VERT  | GEHÄUSE GRÜN | (TD 484)          |
| -    | 81002402/0 | 1    | CHASSIS ROSSO  | DECK RED    | CHÂSSIS ROUGE | GEHÄUSE ROT  | (TD 484 MULCHING) |
| -    | 81001735/2 | 1    | CHASSIS ROSSO  | DECK RED    | CHÂSSIS ROUGE | GEHÄUSE ROT  | (TD 534)          |
| -    | 81001736/2 | 1    | CHASSIS GIALLO | DECK YELLOW | CHÂSSIS JAUNE | GEHÄUSE GELB | (TD 534)          |
| -    | 81001737/2 | 1    | CHASSIS VERDE  | DECK GREEN  | CHÂSSIS VERT  | GEHÄUSE GRÜN | (TD 534)          |
| 2    | 12691800/0 | 0/1  | VITE           | SCREW       | VIS           | SCHRAUBE     |                   |
| -    | 12793701/0 | 3/2  | VITE           | SCREW       | VIS           | SCHRAUBE     |                   |
| 4    | 22041955/0 | 4    | BUSSOLA        | BUSH        | DOUILLE       | BUCHSE       |                   |
| 5    | 12155000/0 | 2    | DADO           | NUT         | ECROU         | MUTTER       |                   |
| 6    | 12793700/0 | 2    | VITE           | SCREW       | VIS           | SCHRAUBE     |                   |

01T.021

| Pos. | Code       | Q.ty | Descrizione               | Description               | Description                  | Beshreibung          | Remarks                                   |
|------|------------|------|---------------------------|---------------------------|------------------------------|----------------------|---|
| 7    | 22399900/0 | 4    | MANOPOLINA                | KNOB                      | POIGNÉE                      | GRIFF                |   |
| 8    | 12293200/0 | 4    | DADO                      | NUT                       | ECROU                        | MUTTER               |   |
| 9    | 81006512/0 | 1    | MANICO, PARTE INF         | HANDLE, LOWER PART        | MANCHERON, PARTIE INFÉRIEURE | HOLM, UNTERTEIL      | (TD 434 / TD 484)                         |
| -    | 81006990/0 | 1    | MANICO, PARTE INF         | HANDLE, LOWER PART        | MANCHERON, PARTIE INFÉRIEURE | HOLM, UNTERTEIL      | (TD 534)                                  |
| 10   | 12819201/0 | 1    | VITE                      | SCREW                     | VIS                          | SCHRAUBE             |   |
| 10A  | 81003801/1 | 1    | MOLLA GUIDA               | SPRING                    | RESSORT                      | FEDER                |   |
| 11   | 22680006/1 | 2    | ROSETTA                   | WASHER                    | RONDELLE                     | SCHEIBE              |   |
| 12   | 12155000/0 | 0/1  | DADO                      | NUT                       | ECROU                        | MUTTER               |   |
| -    | 12293201/0 | 3/2  | DADO                      | NUT                       | ECROU                        | MUTTER               |   |
| 13   | 12792610/0 | 2    | VITE                      | SCREW                     | VIS                          | SCHRAUBE             |   |
| 14   | 81007160/0 | 1    | CAVO ACCELERATORE         | CABLE, TROTTLER           | CABLE, ACCELERATEUR          | KABEL, BESCHLEUNIGER |   |
| 15   | 81000643/0 | 1    | CAVO FRENO MOTORE         | CABLE, THREAD MOTOR BRAKE | CABLE FREIN MOTEUR           | KABEL, MOTORBREMSE   | (B&S CLASSIC/SPRINT/LS/LC TD 534)         |
| -    | 81000625/0 | 1    | CAVO FRENO MOTORE         | CABLE, THREAD MOTOR BRAKE | CABLE FREIN MOTEUR           | KABEL, MOTORBREMSE   | (B&S CLASSIC/SPRINT/LS/LC TD434 - TD 484) |
| -    | 81000633/0 | 1    | CAVO FRENO MOTORE         | CABLE, THREAD MOTOR BRAKE | CABLE FREIN MOTEUR           | KABEL, MOTORBREMSE   | (B&S QUANTUM TD 434)                      |
| -    | 81000631/0 | 1    | CAVO FRENO MOTORE         | CABLE, THREAD MOTOR BRAKE | CABLE FREIN MOTEUR           | KABEL, MOTORBREMSE   | (B&S QUANTUM/ES45 TD 484)                 |
| -    | 81000642/0 | 1    | CAVO FRENO MOTORE         | CABLE, THREAD MOTOR BRAKE | CABLE FREIN MOTEUR           | KABEL, MOTORBREMSE   | (B&S QUANTUM/ES45 TD 534)                 |
| -    | 81000641/0 | 1    | CAVO FRENO MOTORE         | CABLE, THREAD MOTOR BRAKE | CABLE FREIN MOTEUR           | KABEL, MOTORBREMSE   | (HONDA GCV 135/160 TD 434 - TD 484)       |
| -    | 81000640/0 | 1    | CAVO FRENO MOTORE         | CABLE, THREAD MOTOR BRAKE | CABLE FREIN MOTEUR           | KABEL, MOTORBREMSE   | (HONDA GCV 135/160 TD 534)                |
| -    | 81000629/1 | 1    | CAVO FRENO MOTORE         | CABLE, THREAD MOTOR BRAKE | CABLE FREIN MOTEUR           | KABEL, MOTORBREMSE   | (TECUMSEH TD 434-TD 484)                  |
| -    | 81000644/0 | 1    | CAVO FRENO MOTORE         | CABLE, THREAD MOTOR BRAKE | CABLE FREIN MOTEUR           | KABEL, MOTORBREMSE   | (TECUMSEH TD 534)                         |
| 16   | 22450410/1 | 1    | MOLLA DX                  | R SPRING                  | RESSORT D                    | RECHTE FEDER         |   |
| 17   | 22600046/2 | 1    | PARASASSI                 | STONE-GUARD               | PARE-PIERRES                 | PRALLBLECH           |   |
| 18   | 22450420/1 | 1    | MOLLA SX                  | L SPRING                  | RESSORT G                    | LINKE FEDER          |   |
| 19   | 22517906/1 | 1    | PERNO                     | PIN                       | PIVOT                        | BOLZEN               |   |
| 20   | 12728518/0 | 1    | VITE                      | SCREW                     | VIS                          | SCHRAUBE             |   |
| 21   | 22806612/0 | 1    | SUPPORTO                  | SUPPORT                   | SUPPORT                      | HALTER               |   |
| 22   | 22981467/0 | 1    | PIASTRINA                 | PLATE                     | PLAQUETTE                    | PLATTE               |   |
| 23   | 12735105/0 | 2    | VITE                      | SCREW                     | VIS                          | SCHRAUBE             |   |
| 24   | 12523040/0 | 2    | ROSETTA                   | WASHER                    | RONDELLE                     | SCHEIBE              |   |
| 25   | 12530060/0 | 1    | ROSETTA ELASTICA          | ELASTIC WASHER            | RONDELLE ELASTIQUE           | ELASTISCHE SCHEIBE   |   |
| 26   | 12791500/0 | 1    | VITE                      | SCREW                     | VIS                          | SCHRAUBE             |   |
| 27   | 22943006/0 | 1    | VITE                      | SCREW                     | VIS                          | SCHRAUBE             |   |
| 28   | 81007018/1 | 1    | MANICO, PARTE SUP         | HANDLE, UPPER PART        | MANCHERON, PARTIE SUPÉRIEURE | HOLM, OBERTEIL       |   |
| 29   | 22120152/0 | 1    | CRUSCOTTO GIALLO          | DASH BOARD YELLOW         | CONSOLE JAUNE                | KONSOLE GELBE        |   |
| -    | 22120154/0 | 1    | CRUSCOTTO ROSSO           | DASH BOARD RED            | CONSOLE ROUGE                | KONSOLE ROTE         |   |
| -    | 22120158/0 | 1    | CRUSCOTTO NERO            | DASH BOARD BLACK          | CONSOLE NOIRE                | KONSOLE SCHWARZE     |   |
| 30   | 81003291/2 | 1    | LEVA FRENO MOTORE         | LEVER, MOTOR BRAKE        | LEVIER FREIN MOTEUR          | HEBEL, MOTORBREMSE   |   |
| 31   | 22291050/0 | 1    | IMPUGNATURA MANICO NERA   | HANDGRIP BLACK            | POIGNÉE NOIRE                | HANDGRIFF SCHWARZER  |   |
| -    | 22291051/0 | 1    | IMPUGNATURA MANICO ROSSA  | HANDGRIP RED              | POIGNÉE ROUGE                | HANDGRIFF RÖTER      |   |
| -    | 22291052/0 | 1    | IMPUGNATURA MANICO GIALLA | HANDGRIP YELLOW           | POIGNÉE JAUNE                | HANDGRIFF GELBER     |   |
| 32   | 81007280/2 | 1    | LEVA, ACCELERATORE        | LEVER, THROTTLE           | LEVIER, ACCELERATEUR         | HEBEL, BESCHLEUNIGER |   |
| 33   | 14356744/0 | 1    | ETICHETTA                 | LABEL                     | ETIQUETTE                    | ETIKETTE             | (B&S)                                     |
| -    | 14356743/0 | 1    | ETICHETTA                 | LABEL                     | ETIQUETTE                    | ETIKETTE             | (HONDA)                                   |
| -    | 14357646/0 | 1    | ETICHETTA                 | LABEL                     | ETIQUETTE                    | ETIKETTE             | (TECUMSEH)                                |
| 34   | 22041966/0 | 2    | BUSSOLA                   | BUSH                      | DOUILLE                      | BUCHSE               |   |
| 35   | 12154510/0 | 1    | DADO                      | NUT                       | ECROU                        | MUTTER               |   |
| 36   | 12728460/0 | 1    | VITE                      | SCREW                     | VIS                          | SCHRAUBE             |   |
| 37   | 12000930/0 | 1    | ANELLO ELASTICO           | SNAP RING                 | ANNEAU RESSORT               | SPRENGRING           |   |

01T.021

| Pos. | Code       | Q.ty | Descrizione                 | Description               | Description                | Beshreibung             | Remarks |
|------|------------|------|-----------------------------|---------------------------|----------------------------|-------------------------|---------|
| 38   | 81008609/0 | 1    | DOTAZIONE VITERIA CRUSCOTTO | OUTFIT, DASH-BOARD SCREWS | DOTATION VISSERIE CONSOLLE | SATZ, KONSOLE SCHRAUBEN |         |
| 39   | 81008614/2 | 1    | DOTAZIONE VITERIA           | OUTFIT, SCREWS            | DOTATION VISSERIE          | SATZ, SCHRAUBEN         |         |

VARIANTE REGOLAZIONE MANICO - HANDLE ADJUSTMENT MODIFICATION - MODIFICATION REGLAGE POIGNEE - ÄNDERUNG GRIFFENSTEEL

01T.004

| Pos. | Code       | Q.ty | Descrizione         | Description         | Description                  | Beshreibung      | Remarks |
|------|------------|------|---------------------|---------------------|------------------------------|------------------|---------|
| 51   | 81006510/0 | 1    | MANICO, PARTE INF   | HANDLE, LOWER PART  | MANCHERON, PARTIE INFERIEURE | HOLM, UNTERTEIL  |         |
| 52   | 22785081/1 | 2    | SUPPORTO ESTERNO    | SUPPORT, EXTERNAL   | SUPPORT EXTERNE              | HALTER, AUßERE   |         |
| 53   | 22785082/0 | 1    | SUPPORTO INTERNO DX | SUPPORT, R INTERNAL | SUPPORT INTERNE D            | HALTER, INNERE R |         |
| 54   | 22785083/1 | 1    | SUPPORTO INTERNO SX | SUPPORT, L INTERNAL | SUPPORT INTERNE G            | HALTER, INNERE L |         |
| 56   | 22551575/0 | 2    | PIASTRINA INTERNA   | PLATE, INSIDE       | PLAQUETTE INTERNE            | PLATTE, INNERE   |         |
| 57   | 12793701/0 | 2    | VITE                | SCREW               | VIS                          | SCHRAUBE         |         |
| 58   | 12155000/0 | 2    | DADO                | NUT                 | ECROU                        | MUTTER           |         |
| 59   | 12521350/0 | 2    | ROSETTA             | WASHER              | RONDELLE                     | SCHEIBE          |         |
| 60   | 12691810/0 | 2    | VITE                | SCREW               | VIS                          | SCHRAUBE         |         |
| 61   | 22399803/0 | 2    | MANOPOLINA          | KNOB                | POIGNÉE                      | GRIFF            |         |
| 62   | 12293202/0 | 2    | DADO                | NUT                 | ECROU                        | MUTTER           |         |
| 63   | 81008623/1 | 1    | DOTAZIONE VITERIA   | OUTFIT, SCREWS      | DOTATION VISSERIE            | SATZ, SCHRAUBEN  |         |

VARIANTE ACCELERATORE - THROTTLE MODIFICATION - MODIFICATION COMMANDE D'ACCELERATION - ÄNDERUNGEN AUF GASHEBEL

01T.017

| Pos. | Code       | Q.ty | Descrizione        | Description     | Description          | Beshreibung          | Remarks    |
|------|------------|------|--------------------|-----------------|----------------------|----------------------|------------|
| 151  | 12291000/0 | 1    | DADO               | NUT             | ECROU                | MUTTER               |            |
| 152  | 12581500/0 | 1    | GROWER             | GROWER          | GROWER               | FEDERRING            |            |
| 153  | 22171005/0 | 1    | DISTANZIALE        | SPACER          | ENTRETOISE           | DISTANZRING          |            |
| 154  | 12521360/0 | 1    | ROSETTA            | WASHER          | RONDELLE             | SCHEIBE              |            |
| 155  | 12508100/0 | 1    | ROSETTA ELASTICA   | SPRING WASHER   | RONDELLE ELASTIQUE   | ELASTISCHE SCHEIBE   |            |
| 156  | 81007279/0 | 1    | LEVA, ACCELERATORE | LEVER, THROTTLE | LEVIER, ACCELERATEUR | HEBEL, BESHLEUNIGER  |            |
| 157  | 81007080/0 | 1    | CAVO ACCELERATORE  | CABLE, TROTTLE  | CABLE, ACCELERATEUR  | KABLE, BESCHLEUNIGER |            |
| 158  | 12815000/0 | 1    | VITE               | SCREW           | VIS                  | SCHRAUBE             |            |
| 159  | 14356703/0 | 1    | ETICHETTA          | LABEL           | ETIQUETTE            | ETIKETTE             | (B&S)      |
| -    | 14356702/0 | 1    | ETICHETTA          | LABEL           | ETIQUETTE            | ETIKETTE             | (HONDA)    |
| -    | 14356905/0 | 1    | ETICHETTA          | LABEL           | ETIQUETTE            | ETIKETTE             | (TECUMSEH) |

VARIANTE REGIME FISSO - FIXED SPEED MODIFICATION - MODIFICATION POUR MODÈLE À REGIME FIXE - ÄNDERUNGEN FÜR MODELLE MIT FESTEN DRENZ

01T.006

| Pos. | Code       | Q.ty | Descrizione | Description | Description | Beshreibung | Remarks |
|------|------------|------|-------------|-------------|-------------|-------------|---------|
| 201  | 22601000/0 | 1    | PROTEZIONE  | PROTECTION  | PROTECTION  | SCHUTZ      |         |

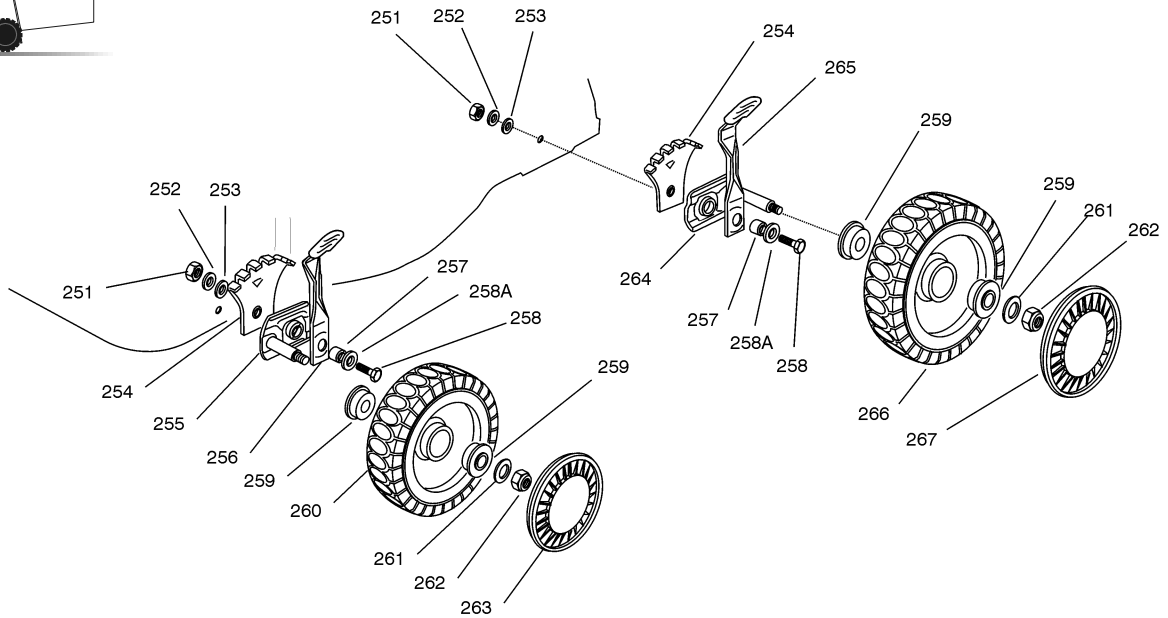
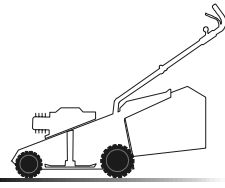
VARIANTE MULCHING - MULCHING MODIFICATION - MODIFICATION MULCHING - ÄNDERUNGEN MULCHING

01T.021

| Pos. | Code       | Q.ty | Descrizione      | Description   | Description          | Beshreibung   | Remarks  |
|------|------------|------|------------------|---------------|----------------------|---------------|----------|
| 231  | 22140223/0 | 1    | DEFLETTORE       | DEFLECTOR     | DEFLECTEUR           | DEFLEKTOR     | (TD 484) |
| -    | 22140222/0 | 1    | DEFLETTORE       | DEFLECTOR     | DEFLECTEUR           | DEFLEKTOR     | (TD 534) |
| 232  | 22060199/0 | 1    | CARTER           | PROTECTION    | PROTECTION           | SCHUTZ        | (TD 484) |
| -    | 22060197/0 | 1    | CARTER           | PROTECTION    | PROTECTION           | SCHUTZ        | (TD 534) |
| 233  | 12728530/0 | 3    | VITE             | SCREW         | VIS                  | SCHRAUBE      |          |
| 234  | 22291150/0 | 1    | INSERTO IN GOMMA | RUBBER INSERT | INSERT DE GAOUTCHOUC | GUMMI EINSATZ |          |

# 2

02D\_009



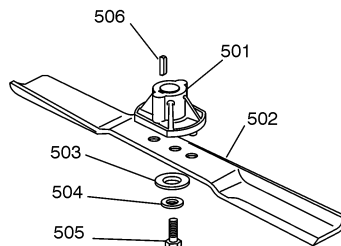
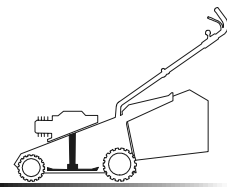
02T.011

| Pos. | Code       | Q.ty | Descrizione                 | Description               | Description             | Beschreibung            | Remarks |
|------|------------|------|-----------------------------|---------------------------|-------------------------|-------------------------|---------|
| 251  | 12293200/0 | 4    | DADO                        | NUT                       | ECROU                   | MUTTER                  |         |
| 252  | 12583500/0 | 4    | GROWER                      | GROWER                    | GROWER                  | FEDERRING               |         |
| 253  | 12523070/0 | 4    | ROSETTA                     | WASHER                    | RONDELLE                | SCHEIBE                 |         |
| 254  | 22735547/0 | 4    | SETTORE REGOLAZIONE ALTEZZA | SECTOR, HEIGHT ADJUSTMENT | SECTEUR REGLAGE HAUTEUR | SEKTOR, HÖHEVERSTELLUNG |         |
| 255  | 81005082/0 | 2    | SUPPORTO RUOTA              | SUPPORT, WHEEL            | SUPPORT ROUE            | HALTER, RAD             |         |
| 256  | 81003285/1 | 2    | LEVA REGOLAZIONE ALTEZZA    | LEVER, HEIGHT ADJUSTMENT  | LEVIER, REGLAGE HAUTEUR | HEBEL, HÖHEVERSTELLUNG  |         |
| 257  | 22171001/0 | 4    | DISTANZIALE                 | SPACER                    | ENTRETOISE              | DISTANZRING             |         |
| 258  | 12793701/0 | 4    | VITE                        | SCREW                     | VIS                     | SCHRAUBE                |         |
| 258A | 12521350/0 | 4    | ROSETTA                     | WASHER                    | RONDELLE                | SCHEIBE                 |         |
| 259  | 22034508/0 | 8    | BUSSOLA                     | BUSH                      | DOUILLE                 | BUCHSE                  |         |
| 260  | 81007336/0 | 2    | RUOTA SCOLPITA Ø 170        | WHEEL, KNOBBLY Ø 170      | ROUE SCULPTEE Ø 170     | RAD M. STOLLENPR. Ø 170 |         |
| 261  | 12523060/0 | 4    | ROSETTA                     | WASHER                    | RONDELLE                | SCHEIBE                 |         |
| 262  | 12155000/0 | 4    | DADO                        | NUT                       | ECROU                   | MUTTER                  |         |
| 263  | 22110282/0 | 2    | COPRIMOZZO BIANCO           | HUB CAP WHITE             | COUVRE-MOYEU BLANC      | RADKAPPE WEIßE          |         |
| -    | 22110288/0 | 2    | COPRIMOZZO GIALLO           | HUB CAP YELLOW            | COUVRE-MOYEU JAUNE      | RADKAPPE GELBE          |         |
| -    | 22110290/0 | 2    | COPRIMOZZO ROSSO            | HUB CAP RED               | COUVRE-MOYEU ROUGE      | RADKAPPE ROTE           |         |
| 264  | 81005084/0 | 2    | SUPPORTO RUOTA              | SUPPORT, WHEEL            | SUPPORT ROUE            | HALTER, RAD             |         |
| 265  | 81003286/0 | 2    | LEVA REGOLAZIONE ALTEZZA    | LEVER, HEIGHT ADJUSTMENT  | LEVIER, REGLAGE HAUTEUR | HEBEL, HÖHEVERSTELLUNG  |         |
| 266  | 81007337/0 | 2    | RUOTA SCOLPITA Ø 210        | WHEEL, KNOBBLY Ø 210      | ROUE SCULPTEE Ø 210     | RAD M. STOLLENPR. Ø 210 |         |
| 267  | 22110281/0 | 2    | COPRIMOZZO BIANCO           | HUB CAP WHITE             | COUVRE-MOYEU BLANC      | RADKAPPE WEIßE          |         |
| -    | 22110287/0 | 2    | COPRIMOZZO GIALLO           | HUB CAP YELLOW            | COUVRE-MOYEU JAUNE      | RADKAPPE GELBE          |         |
| -    | 22110289/0 | 2    | COPRIMOZZO ROSSO            | HUB CAP RED               | COUVRE-MOYEU ROUGE      | RADKAPPE ROTE           |         |



### 5

05D\_002

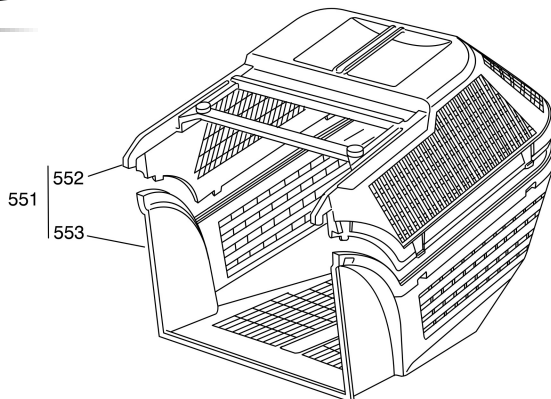
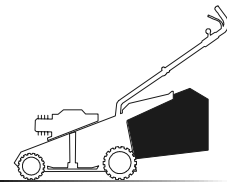


05T.011

| Pos. | Code       | Q.ty | Descrizione       | Description    | Description        | Beshreibung        | Remarks |
|------|------------|------|-------------------|----------------|--------------------|--------------------|---------|
| 501  | 22463012/1 | 1    | MOZZO             | HUB            | MOYEU              | HALTER             |         |
| 502  | 81004341/3 | 1    | COLTELLO STANDARD | BLADE STANDARD | LAME STANDARD      | MESSER STANDARD    | (41 cm) |
| -    | 81004396/0 | 1    | COLTELLO ALETTATO | BLADE WINGED   | LAME AILETTÉE      | MESSER FLÜGEL      | (41 cm) |
| -    | 81004346/3 | 1    | COLTELLO STANDARD | BLADE STANDARD | LAME STANDARD      | MESSER STANDARD    | (46 cm) |
| -    | 81004397/0 | 1    | COLTELLO ALETTATO | BLADE WINGED   | LAME AILETTÉE      | MESSER FLÜGEL      | (46 cm) |
| -    | 81004381/1 | 1    | COLTELLO STANDARD | BLADE STANDARD | LAME STANDARD      | MESSER STANDARD    | (51 cm) |
| -    | 81004398/0 | 1    | COLTELLO ALETTATO | BLADE WINGED   | LAME AILETTÉE      | MESSER FLÜGEL      | (51 cm) |
| 503  | 22160400/0 | 1    | DISCO ELASTICO    | ELASTIC WASHER | RONDELLE ELASTIQUE | ELASTISCHE SCHEIBE |         |
| 504  | 12523080/0 | 1    | ROSETTA           | WASHER         | RONDELLE           | SCHEIBE            |         |
| 505  | 12735698/0 | 1    | VITE              | SCREW          | VIS                | SCHRAUBE           |         |
| 506  | 12139100/0 | 1    | LINGUETTA         | FEATHER        | CLAVETTE           | KEIL               |         |

### 6

06D\_002



06T.002

| Pos. | Code       | Q.ty | Descrizione      | Description           | Description            | Beshreibung     | Remarks |
|------|------------|------|------------------|-----------------------|------------------------|-----------------|---------|
| 551  | 94004000/0 | 1    | SACCO COMPLETO   | GRASS-BOX, COMPLETE   | BAC COMPLET            | KORB, KOMPLETTE |         |
| 552  | 22486073/0 | 1    | SACCO, PARTE SUP | GRASS-BOX, UPPER PART | SAC, PARTIE SUPERIEURE | KORB, OBERTEIL  |         |
| 553  | 22486074/0 | 1    | SACCO, PARTE INF | GRASS-BOX, LOWER PART | SAC, PARTIE INFERIEURE | KORB, UNTERTEIL |         |