

VISTE ESPLOSE
EXPLODED VIEWS

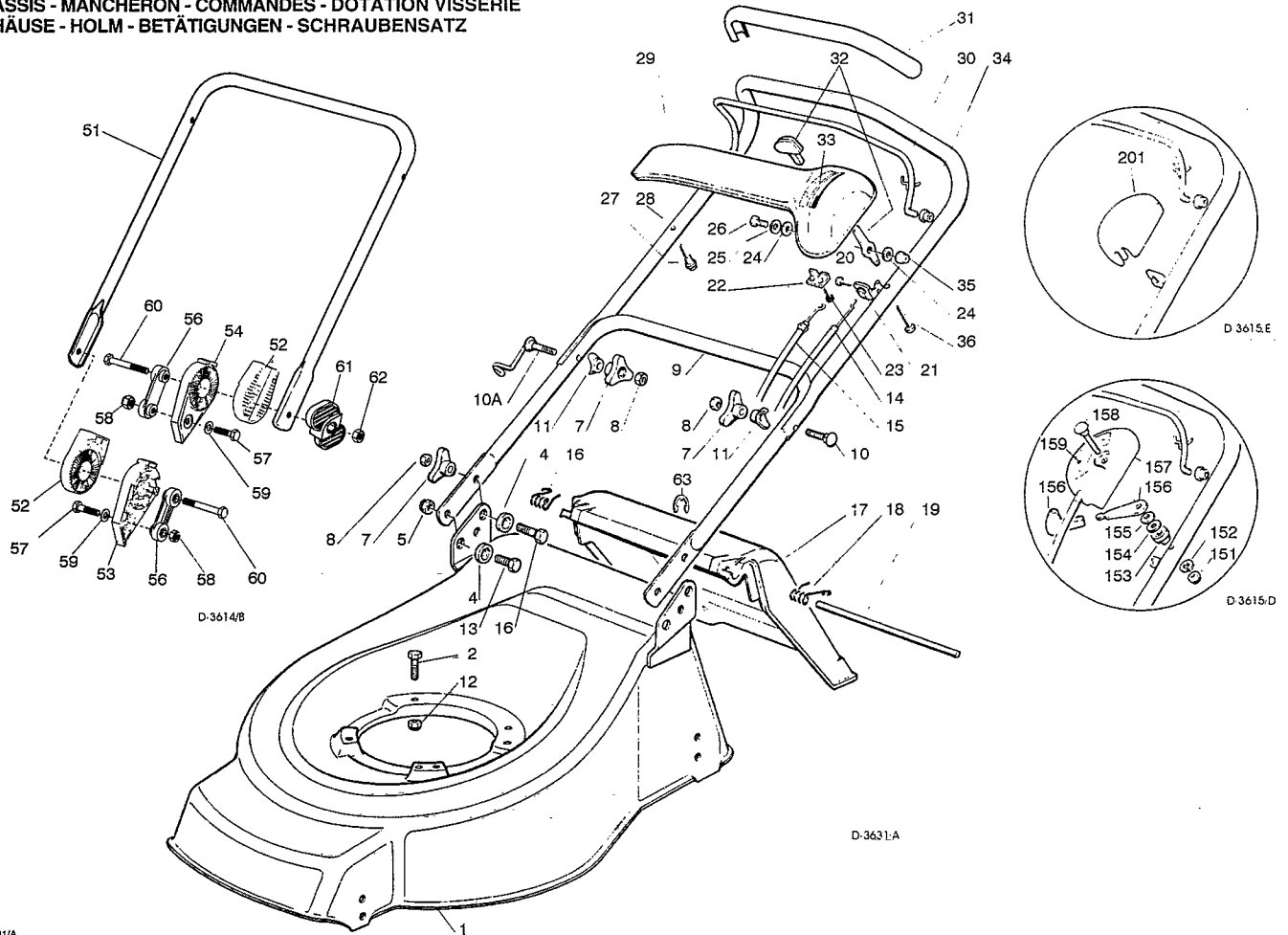
VUES ECLATEES
SPRENGZEICHNUNGEN

Texas

TD 434
TD 484
TD 534

Mod. 1998

CHASSIS - MANICO - COMANDI - DOTAZIONE VITERIE
DECK - HANDLE - CONTROLS - SCREWS OUTFITS
CHÂSSIS - MANCHERON - COMMANDES - DOTATION VISSERIE
GEHÄUSE - HOLM - BETÄTIGUNGEN - SCHRAUBENSATZ



T-3631/A

Pos. Nr.	Codice Code Kodex	Descrizione	Description	Description	Beschreibung	Q.tà Q.ty-Q.tè Menge
1	81001338/0	CHASSIS ROSSO TD 434	RED DECK TD 434	CHÂSSIS ROUGE TD 434	ROTES GEHÄUSE TD 434	1
-	81001348/0	CHASSIS GIALLO TD 434	YELLOW DECK TD 434	CHÂSSIS JAUNE TD 434	GELBES GEHÄUSE TD 434	1
-	81001370/0	CHASSIS VERDE TD 434	GREEN DECK TD 434	CHÂSSIS VERT TD 434	GRÜNES GEHÄUSE TD 434	1
-	81001339/0	CHASSIS ROSSO TD 484	RED DECK TD 484	CHÂSSIS ROUGE TD 484	ROTES GEHÄUSE TD 484	1
-	81001350/0	CHASSIS GIALLO TD 484	YELLOW DECK TD 484	CHÂSSIS JAUNE TD 484	GELBES GEHÄUSE TD 484	1
-	81001372/0	CHASSIS VERDE TD 484	GREEN DECK TD 484	CHÂSSIS VERT TD 484	GRÜNES GEHÄUSE TD 484	1
-	81001735/0	CHASSIS ROSSO TD 534	RED DECK TD 534	CHÂSSIS ROUGE TD 534	ROTES GEHÄUSE TD 534	1
-	81001736/0	CHASSIS GIALLO TD 534	YELLOW DECK TD 534	CHÂSSIS JAUNE TD 534	GELBES GEHÄUSE TD 534	1
-	81001737/0	CHASSIS VERDE TD 534	GREEN DECK TD 534	CHÂSSIS VERT TD 534	GRÜNES GEHÄUSE TD 534	1
2	12793700/0	VITE (M8 x 30)	SCREW (M8 x 30)	VIS (M8 x 30)	SCHRAUBE (M8 x 30)	3/2
-	12691800/0	VITE (M8 x 60)	SCREW (M8 x 60)	VIS (M8 x 60)	SCHRAUBE (M8 x 60)	0/1
4	22041955/0	BUSSOLA	BUSH	DOUILLE	BUCHSE	4
5	12155000/0	DADO	NUT	ECROU	MUTTER	2
6	12793700/0	VITE	SCREW	VIS	SCHRAUBE	2
7	22399900/0	MANOPOLINA	KNOB	POIGNÉE	GRIFF	4
8	12293200/0	DADO	NUT	ECROU	MUTTER	4
9	81006512/0	PARTE INFERIORE MANICO	LOWER HANDLE	PARTIE INF. MANCHERON	UNTERHOLM	1
10	12819201/0	VITE	SCREW	VIS	SCHRAUBE	1
10A	81003801/0	MOLLA GUIDA	SPRING	RESSORT	FEDER	1
11	22680006/1	RONDELLA	WASHER	RONDELLE	SCHIBE	2
12	12293201/0	DADO	NUT	ECROU	MUTTER	3/2
-	12155000/0	DADO	NUT	ECROU	MUTTER	0/1
13	12792610/0	VITE	SCREW	VIS	SCHRAUBE	2
14	81007160/0	CAVO ACCELERATORE	THROTTLE CABLE	CABLE ACCELERATEUR	BESCHLEUNIGER KABEL	1
15	81000633/0	CAVO FRENO MOTORE	THREAD MOTOR BRAKE	CABLE FREIN MOTEUR	MOTORBREMSEKABEL	1
-	81000623/1	TD 434 (QUANTUM XM)	TD 434 (QUANTUM XM)	TD 434 (QUANTUM XM)	TD 434 (QUANTUM XM)	1
-	81000623/1	TD 434-484 (TECUMSEH)	TD 434-484 (TECUMSEH)	TD 434-484 (TECUMSEH)	TD 434-484 (TECUMSEH)	1
-	81000631/0	TD 484 (QUANTUM XM-ES 40)	TD 484 (QUANTUM XM-ES 40)	TD 484 (QUANTUM XM-ES 40)	TD 484 (QUANTUM XM-ES 40)	1

Pos. Nr.	Codice Code Kodex	Descrizione	Description	Description	Beschreibung	Q.tà Q.ty-Q.tè Menge
—	81000625/0	TD 484 (SPRINT 375/QUATTRO)	TD 484 (SPRINT 375/QUATTRO)	TD 484 (SPRINT 375/QUATTRO)	TD 484 (SPRINT 375/QUATTRO)	1
—	81000638/0	TD 484 (HONDA GV 100)	TD 484 (HONDA GV 100)	TD 484 (HONDA GV 100)	TD 484 (HONDA GV 100)	1
—	81000641/0	TD 84 (HONDA GCV 135/160)	TD 84 (HONDA GCV 135/160)	TD 84 (HONDA GCV 135/160)	TD 84 (HONDA GCV 135/160)	1
—	81000642/0	TD 534 (QUANTUM XM-ES 40)	TD 534 (QUANTUM XM-ES 40)	TD 534 (QUANTUM XM-ES 40)	TD 534 (QUANTUM XM-ES 40)	1
—	81000643/0	TD 534 (SPRINT 375/QUATTRO)	TD 534 (SPRINT 375/QUATTRO)	TD 534 (SPRINT 375/QUATTRO)	TD 534 (SPRINT 375/QUATTRO)	1
—	81000644/0	TD 534 (TECUMSEH)	TD 534 (TECUMSEH)	TD 534 (TECUMSEH)	TD 534 (TECUMSEH)	1
—	81000640/0	TD 534 (HONDA GCV 135/160)	TD 534 (HONDA GCV 135/160)	TD 534 (HONDA GCV 135/160)	TD 534 (HONDA GCV 135/160)	1
16	22450410/1	MOLLA DESTRA	RIGHT SPRING	RESSORT DROITE	RECHTE FEDER	1
17	22600046/1	PARASASSI	STONE-GUARD	PARE-PIERRES	PRALLBLECH	1
18	22450420/1	MOLLA SINISTRA	LEFT SPRING	RESSORT GAUCHE	LINKE FEDER	1
19	22517906/1	PERNO	PIN	PIVOT	BOLZEN	1
20	12728518/0	VITE	SCREW	VIS	SCHRAUBE	1
21	22806612/0	SUPPORTO	SUPPORT	SUPPORT	HALTER	1
22	22981467/0	PIASTRINA	PLATE	PLAQUETTE	PLATTE	1
23	12735105/0	VITE	SCREW	VIS	SCHRAUBE	2
24	12523040/0	RONDELLA	WASHER	RONDELLE	SCHEIBE	2
25	12530060/0	RONDELLA ELASTICA	SPRING WASHER	RONDELLE ELASTIQUE	FEDERSCHEIBE	1
26	12791500/0	VITE	SCREW	VIS	SCHRAUBE	1
27	22943006/0	VITE	SCREW	VIS	SCHRAUBE	1
28	81007018/0	PARTE SUPERIORE MANICO	UPPER HANDLE	PARTIE SUP. MANCHERON	OBERHOLM	1
29	22120152/0	CRUSCOTTO GIALLO	YELLOW DASH BOARD	CONSOLE JAUNE	GELBE KONSOLE	1
—	22120158/0	CRUSCOTTO NERO	BLACK DASH BOARD	CONSOLE NOIRE	SCHWARZE KONSOLE	1
—	22120154/0	CRUSCOTTO ROSSO	RED DASH BOARD	CONSOLE ROUGE	ROTE KONSOLE	1
30	81003291/2	LEVA FRENO MOTORE	BRAKE LEVER	LEVIER FREIN MOTEUR	MOTORBREMSEHEBEL	1
31	22291050/0	IMPUGNATURA MANICO NERA	BLACK HANDGRIP	POIGNEE NOIRE	SCHWARZER HANDGRIFF	1
—	22291051/0	IMPUGNATURA MANICO ROSSA	RED HANDGRIP	POIGNEE ROUGE	RÖTER HANDGRIFF	1
—	22291052/0	IMPUGNATURA MANICO GIALLA	YELLOW HANDGRIP	POIGNEE JAUNE	GELBER HANDGRIFF	1
32	81007280/2	ASS. LEVA + MANOPOLINA	LEVER + KNOB ASS.Y	ENS. LEVIER + POIGNEE	HEBEL + GRIFF SATZ	1
33	14356743/0	ETICHETTA (Tecumseh Honda)	LABEL (Tecumseh Honda)	ETIQUETTE (Tecumseh Honda)	ETIKETTE (Tecumseh Honda)	1
—	14356744/0	ETICHETTA (B&S)	LABEL (B&S)	ETIQUETTE (B&S)	ETIKETTE (B&S)	1
34	22041966/0	BOCCOLA	BUSH	DOUILLE	BUCHSE	2
35	12154510/0	DADO	NUT	ECROU	MUTTER	1
36	12728460/0	VITE	SCREW	VIS	SCHRAUBE	1

81008596/0 DOTAZIONE VITERIA SCREWS OUTFIT DOTATION VISSERIE SCHRAUBEN SATZ

1

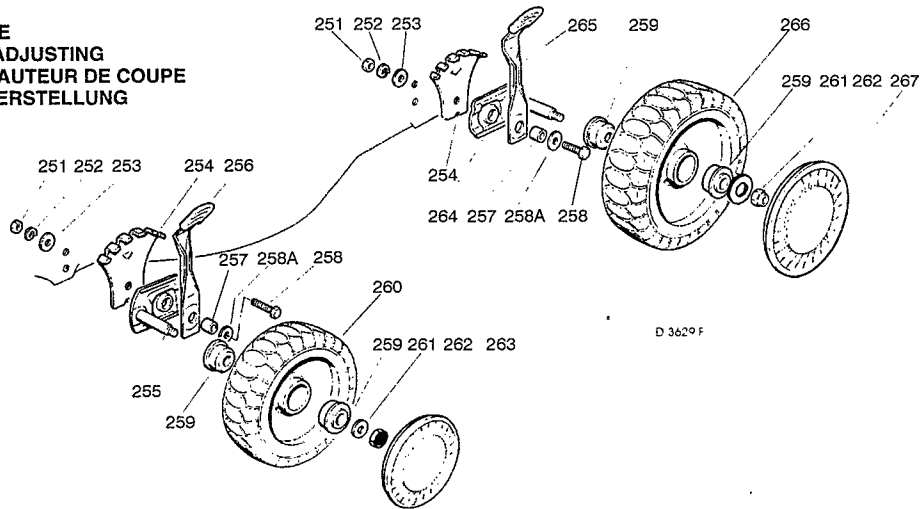
	VARIANTE REGOLAZIONE MANICO	HANDLE ADJUSTMENT VARIANT	VARIANTE REGLAGE POIGNEE	GRIFFEINSTELLVARIANTE		
51	81006510/0	PARTE INFR. MANICO	LOWER HANDLE	PARTIE INF. MANCHERON	UNTERHOLM	1
52	22785081/0	SUPPORTO ESTERNO	EXTERNAL SUPPORT	SUPPORT EXTERNE	AUßENHALTERUNG	2
53	22785082/0	SUPPORTO INTERNO DX	RH INTERNAL SUPPORT	SUPPORT INTERNE DROIT	INNENHALTERUNG RECHTS	1
54	22785083/0	SUPPORTO INTERNO SX	LH INTERNAL SUPPORT	SUPPORT INTERNE GAUCHE	INNENHALTERUNG LINKS	1
56	22551575/0	PIASTRINA INTERNA	INSIDE PLAQUE	PLAQUETTE INTERNE	ISOLIER PLATTE	2
57	12793701/0	VITE	SCREW	VIS	SCHRAUBE	2
58	12155000/0	DADO	NUT	ECROU	MUTTER	2
59	12521350/0	RONDELLA	WASHER	RONDELLE	SCHEIBE	2
60	12691810/0	VITE	SCREW	VIS	SCHRAUBE	2
61	22399803/0	MANOPOLINA	KNOB	POIGNEE	GRIFF	2
62	12293202/0	DADO	NUT	ECROU	MUTTER	2
63	12000930/0	ANELLO ELASTICO	SNAP RING	ANNEAU RESSORT	SPRENGRING	1
—	81008623/0	DOTAZ. VITERIA	SCREWS OUTFIT	DOTATION VISSERIE	SCHRAUBEN SATZ	1

	VARIANTE ACCELERATORE	THROTTLE VARIANTS	VARIANTES COMMANDE D'ACCELERATION	ÄNDERUNGEN AUF GASHEBEL		
151	12291000/0	DADO	NUT	ECROU	MUTTER	1
152	12581500/0	GROWER	GROWER	GROWER	FEDERING	1
153	22171005/0	DISTANZIALE	SPACER	ENTRETOISE	DISTANZRING	1
154	12521360/0	RONDELLA	WASHER	RONDELLE	SCHEIBE	1
155	12508100/0	RONDELLA ELASTICA	SPRING WASHER	RONDELLE ELASTIQUE	ELASTISCHE SCHEIBE	1
156	22319302/0	ASS. LEVA+MANOPOLINA	LEVER+KNOB ASS.Y	ENS. LEVIER+POIGNEE	HEBEL+GRIFF SATZ	1
157	81007080/0	ASSIEME ACCELERATORE	TROTTLE UNIT ASS.Y	ENS. ACCELERATEUR	BESCHLEUNIGER SATZ	1
158	12815000/0	VITE	SCREW	VIS	SCHRAUBE	1
159	14356702/0	ETICHETTA (TECUMSEH-HONDA)	LABEL (TECUMSEH-HONDA)	ETIQUETTE (TECUMSEH-HONDA)	ETIKETTE (TECUMSEH-HONDA)	1
—	14356703/0	ETICHETTA (B&S)	LABEL (B&S)	ETIQUETTE (B&S)	ETIKETTE (B&S)	1

	VARIANTE REGIME FISSO	R.P.M. VARIANTS	VARIANTES POUR MODELE A REGIME FIXE	ÄNDERUNGEN FÜR MODELLE MIT FIXIERTER DREHZAHL		
201	22601000/0	PROTEZIONE	PROTECTION	PROTECTION	SCHUTZ	

Pos. Nr.	Codice Code Kodex	Descrizione	Description	Description	Beschreibung	Q.tà Q.ty-Q.tè Menge
----------	-------------------	-------------	-------------	-------------	--------------	----------------------------

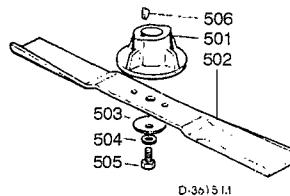
**RUOTE E REGOLAZIONE
WHEELS AND HEIGHT ADJUSTING
ROUES ET REGLAGE HAUTEUR DE COUPE
RÄDER UND SCHNITTVERSTELLUNG**



T-3629F

251	12293200/0	DADO	NUT	ECROU	MUTTER	4
252	12583500/0	GROWER	GROWER	GROWER	FEDERRING	4
253	12523070/0	RONDELLA	WASHER	RONDELLE	SCHEIBE	4
254	22735547/0	SETTORE REGOLAZIONE	ADJUSTMENT SECTOR	SECTEUR REGLAGE	VERSTELLUNGSEKTOR	4
255	81005082/0	SUPPORTO RUOTA	WHEEL SUPPORT	SUPPORT ROUE	RADHALTER	2
256	81003285/0	LEVA REGOLAZIONE	ADJUSTMENT LEVER	LEVIER REGLAGE	VERSTELLUNGHEBEL	2
257	22171001/0	DISTANZIALE	SPACER	ENTRETOISE	DISTANZRING	4
258	12793701/0	VITE	SCREW	VIS	SCHRAUDE	4
258A	12521350/0	RONDELLA	WASHER	RONDELLE	SCHEIBE	4
259	22034508/0	BOCCOLA	BUSH	DOUILLE	BUCHSE	8
260	81007317/0	RUOTA SCOLPITA Ø 170	KNOBBLY WHEEL Ø 170	ROUE SCULPTEE Ø 170	RAD M. STOLLENPR. Ø 170	2
261	12523060/0	RONDELLA	WASHER	RONDELLE	SCHEIBE	4
262	12155000/0	DADO	NUT	ECROU	MUTTER	4
263	22110282/0	COPRIMOZZO BIANCO	WHITE HUB CAP	COUVRE-MOYEU BLANC	WEIBE RADKAPPE	2
-	22110288/0	COPRIMOZZO GIALLO	YELLOW HUB CAP	COUVRE-MOYEU JAUNE	GELBE RADKAPPE	2
-	22110290/0	COPRIMOZZO ROSSO	RED HUB CAP	COUVRE-MOYEU ROUGE	ROTE RADKAPPE	2
264	81005084/0	SUPPORTO RUOTA	WHEEL SUPPORT	SUPPORT ROUE	RADHALTER	2
265	81003286/0	LEVA REGOLAZIONE	ADJUSTMENT LEVER	LEVIER REGLAGE	VERSTELLUNGHEBEL	2
266	81007318/1	RUOTA SCOLPITA Ø 210	KNOBBLY WHEEL Ø 210	ROUE SCULPTEE Ø 210	RAD M. STOLLENPR. Ø 210	2
267	22110281/0	COPRIMOZZO BIANCO	WHITE HUB CAP	COUVRE-MOYEU BLANC	WEIBE RADKAPPE	2
-	22110287/0	COPRIMOZZO GIALLO	YELLOW HUB CAP	COUVRE-MOYEU JAUNE	GELBE RADKAPPE	2
-	22110289/0	COPRIMOZZO ROSSO	RED HUB CAP	COUVRE-MOYEU ROUGE	ROTE RADKAPPE	2

**GRUPPO COLTELLO
BLADE ASS.Y
GROUPE LAME
MESSERSATZ**

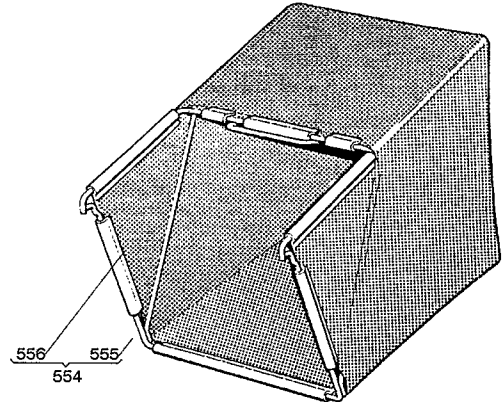
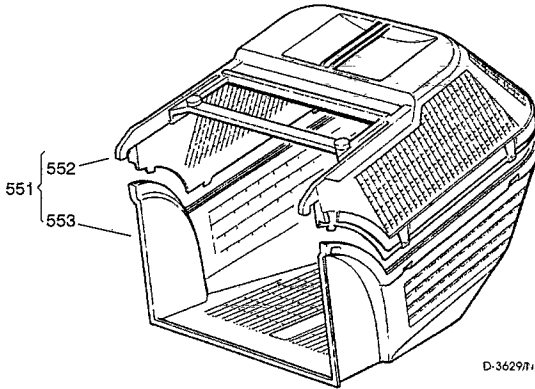


T-3623M

501	22463012/1	MOZZO	HUB	MOYEU	NABE	1
502	81004341/2	COL. STANDARD. 41 cm	STANDARD BLADE 41 cm	LAME STANDARD 41 cm	STAND. MESSER 41 cm	1
-	81004396/0	COL. ALETTATO. 41 cm	WINGED BLADE 41 cm	LAME AILETTÉE 41 cm	FLÜGELMESSER 41 cm	1
-	81004346/2	COL. STANDARD. 46 cm	STANDARD BLADE 46 cm	LAME STANDARD 46 cm	STAND. MESSER 46 cm	1
-	81004397/0	COL. ALETTATO. 46 cm	WINGED BLADE 46 cm	LAME AILETTÉE 46 cm	FLÜGELMESSER 46 cm	1
-	81004381/0	COL. STANDARD. 51 cm	WINGED BLADE 51 cm	LAME AILETTÉE 51 cm	FLÜGELMESSER 51 cm	1
-	81004398/0	COL. ALETTATO. 51 cm	WINGED BLADE 51 cm	LAME AILETTÉE 51 cm	FLÜGELMESSER 51 cm	1
503	22160400/0	DISCO ELASTICO	ELASTIC WASHER	RONDELLE ELASTIQUE	ELASTISCHE SCHEIBE	1
504	12523080/0	RONDELLA	WASHER	RONDELLE	SCHEIBE	1
505	12735698/0	VITE	SCREW	VIS	SCHRAUBE	1
506	12139100/0	LINGUETTA	FEATHER	CLAVETTE	KEIL	1

Pos. Nr.	Codice Code Kodex	Descrizione	Description	Description	Beschreibung	Q.tà Q.ty-Q.tè Menge
----------	-------------------	-------------	-------------	-------------	--------------	----------------------------

**SACCO RACCOGLIERBA
GRASS-CATCHER
BAC DE RAMASSAGE
GRASFANGKORB**



T-3629 N

551	94004000/0	SACCO COMPLETO	COMPLETE GRASS-BOX	BAC COMPLET	KOMPLETTER KORB	1
552	22486073/0	PORTE SUPERIORE SACCO	UPPER GRASS-BOX	PARTIE SUPERIEURE SAC	OBERKORB	1
553	22486074/0	PORTE INFERIORE SACCO	LOWER GRASS-BOX	PARTIE INFERIEURE SAC	UNTERKORB	1
554	94005000/0	ASSIEME SACCO TELA	CANVASS GRASSCATCHER ASS.Y	ENSEMBLE SAC EN TOILE	KOMPLETTER SACK	1
555	81006418/0	TELAIO	CHASSIS	CHÂSSIS	RAHMEN	1
556	81002105/2	TELA SACCO	FABRIC BOX	TOILE POUR SAC	TUCK FÜR SACK	1