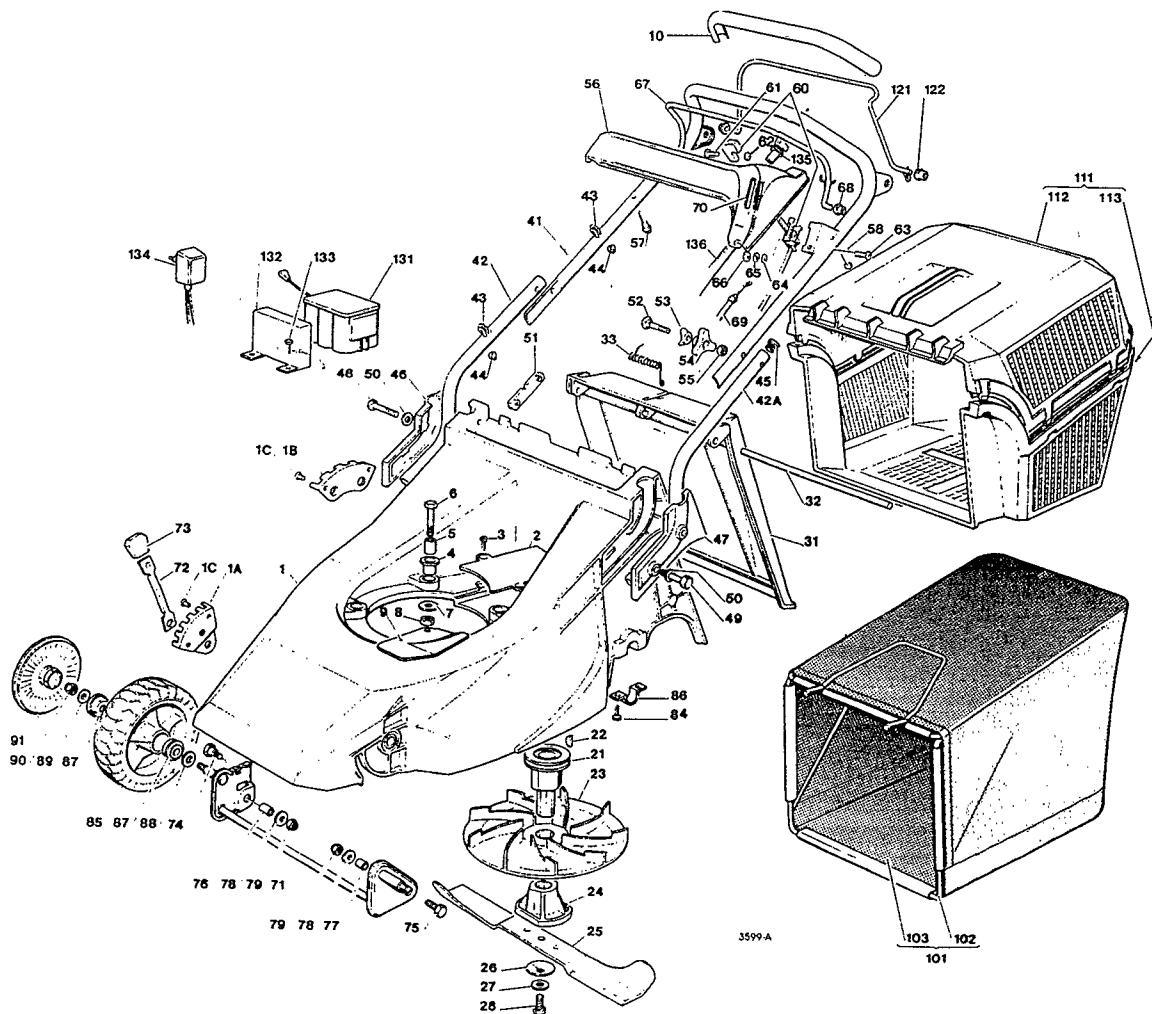


VISTE ESPLOSE
EXPLODED VIEWS

VUES ECLATEES Rapid 46 TR T 484 TR
SPRENGZEICHNUNGEN Par-K 46 auto T 484 TR-E 001

Mod. 1997



Pos. Nr.	Codice Kodex Code	Descrizione	Description	Description	Beschreibung	Q.tà Q.ty Q.té Menge
1	81001416/1	CHASSIS ROSSO	RED DECK	CHÂSSIS ROUGE	ROTES GEHÄUSE	1
—	81001418/1	CHASSIS GIALLO	YELLOW DECK	CHÂSSIS JAUNE	GELBES GEHÄUSE	1
—	81001422/1	CHASSIS VERDE	GREEN DECK	CHÂSSIS VERT	GRÜNES GEHÄUSE	1
1A	22735535/0	SETTORE REGOLAZIONE	ADJUSTMENT SECTOR	SECTEUR REGLAGE	VERSTELLUNGSEKTOR	1
1B	22735508/0	SETTORE REGOLAZIONE	ADJUSTMENT SECTOR	SECTEUR REGLAGE	VERSTELLUNGSEKTOR	1
1C	12500070/0	RIVETTO	RIVET	RIVET	NIETE	3
2	22060172/0	CARTER CINGHIA	BELT PROTECTION	PROTECTION COURROIRE	RIEMENSCHUTZ	1
3	12728680/0	VITE	SCREW	VIS	SCHRAUBE	2
4	22040265/0	BUSSOLA	BUSH	DOUILLE	BUCHSE	3
5	22167840/0	DISTANZIALE	SPACER	ENTRETOISE	DISTANZRING	3
6	12691800/0	VITE	SCREW	VIS	SCHRAUBE	3
7	12523070/0	RONDELLA	WASHER	RONDELLE	SCHEIBE	3
8	12155000/0	DADO	NUT	ECROU	MUTTER	3
9	22484070/0	PARACALORE	MUFFLER GUARD	GRILLE DE PROTECTION	SCHUTZABDECKUNG	1
10	22291050/0	IMPUGNATURA MANICO NERA	BLACK HANDGRIP	POIGNÉE NOIRE	SCHWARZER HANDGRIFF	1
—	22291051/0	IMPUGNATURA MANICO ROSSA	RED HANDGRIP	POIGNÉE ROUGE	RÖTER HANDGRIFF	1
—	22291052/0	IMPUGNATURA MANICO GIALLA	YELLOW HANDGRIP	POIGNÉE JAUNE	GELBER HANDGRIFF	1
21	22465605/0	MOZZO GIRANTE	HUB FAN	MOYEU VENTILATEUR	LÄUFENDENABE	1
22	12139100/0	LINGUETTA	FEATHER	CLAVETTE	KEIL	1
23	22245080/0	GIRANTE	FAN	VENTILATEUR	LUEFTER	1
24	22465604/0	MOZZO	HUB	MOYEU	HALTER	1
25	81004397/0	COLTELLO ALETTATO	WINGED BLADE	LAME AILETTÉE	FLÜGELMESSER	1
—	81004346/2	COLTELLO STANDARD	STANDARD BLADE	LAME STANDARD	STANDARD MESSER	1
26	22160400/0	DISCO ELASTICO	ELASTIC WASHER	RONDELLE ELASTIQUES	ELASTISCHE SCHEIBE	1
27	12523080/0	RONDELLA	WASHER	RONDELLE	SCHEIBE	1
28	12736820/0	VITE	SCREW	VIS	SCHRAUBE	1
31	22600023/2	PARASASSI	STONE-GUARD	PARE-PIERRES	PRALLBLECH	1
32	22517907/0	PERNO	PIN	PIVOT	BOLZEN	1
33	22450270/0	MOLLA	SPRING	RESSORT	FEDER	1
41	81007026/0	PARTE SUPERIORE MANICO	UPPER HANDLE	PARTIE SUP. MANCHERON	OBERHOLM	1

Pos. Nr.	Codice Kodex Code	Descrizione	Description	Description	Beschreibung	Q.tà Q.ty Q.tè Menge
42	81007015/0	MANICO INFERIORE DX	RIGHT LOWER HANDLE	PARTIE INF. MANCHERON D.	RECHTER UNTERHOLM	1
42A	81006917/0	MANICO INFERIORE SX	LEFT LOWER HANDLE	PARTIE INF. MANCHERON G.	LINKER UNTERHOLM	1
43	22430309/0	MOLLA GUIDA	SPRING	RESSORT	FEDER	2
44	12154330/0	DADO	NUT	ECROU	MUTTER	2
45	18566110/0	PUNTALE	CAP	BOUCHON	GUMMISTOPFEN	2
46	22600042/0	PROTEZ. MANICO DX	RIGHT HANDLE PROT.	PROT. MANCHERON DROITE	RECHTER HOLMSCHUTZ	1
47	22600043/0	PROTEZ. MANICO SX	LEFT HANDLE PROT.	PROT. MANCHERON GAUCHE	LINKER HOLMSCHUTZ	1
48	12691400/0	VITE	SCREW	VIS	SCHRAUBE	2
49	12691900/0	VITE	SCREW	VIS	SCHRAUBE	2
50	12521350/0	RONDELLA	WASHER	RONDELLE	SCHIBE	4
51	22551632/1	PIASTRINA FISSAGGIO MANICO	PLATE FOR HANDLE FASTENING	PLAQUETTE FIXAGE MANCHERON	HOLMBEFESTIGUNG PLÄTTCHEN	2
52	12819120/0	VITE	SCREW	VIS	SCHRAUBE	2
53	22680006/1	ROSETTA	WASHER	RONDELLE	SCHIBE	2
54	22399900/0	MANOPOLINA	KNOB	POIGNÉE	GRIFF	2
55	12293200/0	DADO	NUT	ECROU	MUTTER	2
56	22120150/0	CRUSCOTTO ROSSO	RED DASH BOARD	CONSOLE ROUGE	ROTE KONSOLE	1
—	22120148/0	CRUSCOTTO GIALLO	YELLOW DASH BOARD	CONSOLE JAUNE	GELBE KONSOLE	1
—	22120164/0	CRUSCOTTO NERO	BLACK DASH BOARD	CONSOLE NOIRE	SCHWARZE KONSOLE	1
57	22943000/0	VITE	SCREW	VIS	SCHRAUBE	1
58	12728460/0	VITE	SCREW	VIS	SCHRAUBE	1
59	81007138/0	ASSIEME ACCELERATORE	TROTTLE UNIT ASS.Y	ENS. ACCELERATEUR	BESCHLEUNIGER SATZ	1
60	22399801/0	MANOPOLINA	KNOB	POIGNÉE	GRIFF	1
61	12726388/0	VITE	SCREW	VIS	SCHRAUBE	1
62	12290800/0	DADO	NUT	ECROU	MUTTER	1
63	12788910/0	VITE	SCREW	VIS	SCHRAUBE	2
64	12523020/0	RONDELLA	WASHER	RONDELLE	SCHIBE	2
65	12581500/0	GROWER	GROWER	GROWER	FEDERRING	2
66	12291000/0	DADO	NUT	ECROU	MUTTER	2
67	81003292/2	ASS. LEVA FRENO MOTORE	BRAKE LEVER ASS.Y	ENS. LEVIER FREIN MOTEUR	MOTORBREMSHEBEL	1
68	22041966/0	BUSSOLA	BUSH	DOUILLE	BUCHSE	2
69	81000621/1	ASS. CAVO FRENO MOTORE (SPRINT 375/QUATTRO)	THREAD MOTOR ASS.Y (SPRINT 375/QUATTRO)	CABLE FREIN MOTEUR (SPRINT 375/QUATTRO)	MOTORBREMSEKABEL (SPRINT 375/QUATTRO)	1
—	81001105/1	ASS. CAVO FRENO MOTORE (QUANTUM XM)	THREAD MOTOR ASS.Y (QUANTUM XM)	CABLE FREIN MOTEUR (QUANTUM XM)	MOTORBREMSEKABEL (QUANTUM XM)	1
—	81000622/2	ASS. CAVO FRENO MOTORE (TECUMSEH)	THREAD MOTOR ASS.Y (TECUMSEH)	CABLE FREIN MOTEUR (TECUMSEH)	MOTORBREMSEKABEL (TECUMSEH)	1
70	14356692/0	ETICHETTA (TECUMSEH)	LABEL (TECUMSEH)	ETIQUETTE (TECUMSEH)	ETIKETTE (TECUMSEH)	1
—	14356693/0	ETICHETTA (B&S)	LABEL (B&S)	ETIQUETTE (B&S)	ETIKETTE (B&S)	1
71	81001410/0	ASSE RUOTE ANT.	FRONT WHEELS AXLE	AXE ROUES AVANT	VORDERRADACHSE	1
72	22321502/0	LEVA REGOLAZIONE	ADJUSTMENT LEVER	LEVIER REGLAGE	VERSTELLUNGHEBEL	1
73	22400000/1	MANOPOLINA	KNOB	POIGNÉE	GRIFF	2
74	22519510/0	PERNO	PIN	PIVOT	BOLZEN	1
75	12691100/0	VITE	SCREW	VIS	SCHRAUBE	1
76	22170950/0	DISTANZIALE DX	RIGHT SPACER	ENTRETOISE DROITE	RECHTER DISTANZRING	1
77	22170940/0	DISTANZIALE SX	LEFT SPACER	ENTRETOISE GAUCHE	LINKER DISTANZRING	1
78	12523060/0	ROSETTA	WASHER	RONDELLE	SCHIBE	2
79	12155000/0	DADO	NUT	ECROU	MUTTER	2
84	12735402/0	VITE	SCREW	VIS	SCHRAUBE	1
85	81007317/0	RUOTA SCOLPITA Ø 170	KNOBBLY WHEEL Ø 170	ROUE SCULPTEE Ø 170	RAD M. STOLLENPR. Ø 170	2
86	22545152/0	PIASTRINA SX	LEFT PLATE	PLAQUETTE GAUCHE	LINKES PLÄTTCHEN	2
86A	22545154/0	PIASTRINA DX	RIGHT PLATE	PLAQUETTE DROITE	RECHTES PLÄTTCHEN	2
87	22122200/0	CUSCINETTO	BEARING	COUSSINET	KUGELLAGER	8
88	12530150/0	ROSETTA ELASTICA	ELASTIC WASHER	RONDELLE ELASTIQUE	ELASTISCHE SCHIBE	4
89	12521350/0	ROSETTA	WASHER	RONDELLE	SCHIBE	4
90	12155000/0	DADO	NUT	ECROU	MUTTER	4
91	22110282/0	COPRIMOZZO BIANCO	WHITE HUB CAP	COUVRE-MOYEU BLANC	WEIÙE RADKAPPE	2
—	22110288/0	COPRIMOZZO GIALLO	YELLOW HUB CAP	COUVRE-MOYEU JAUNE	GELBE RADKAPPE	2
—	22110290/0	COPRIMOZZO ROSSO	RED HUB CAP	COUVRE-MOYEU ROUGE	ROTE RADKAPPE	2
101	96400000/0	ASS. SACCO IN TELA	CANVASS GRASSCATCHER ASS.Y	ENSEMBLE SAC EN TOILE	KOMPLETTER SACK	2
102	81006430/0	TELAIO	CHASSIS	CHÂSSIS	RAHMEN	1
103	81002124/0	TELA SACCO	FABRIC BOX	TOILE POUR SAC	TUCK FÜR SACK	1
111	96500000/0	SACCO COMPLETO	COMPLETE GRASS-BOX	SAC COMPLET	KOMPLETTER KORB	1
112	22486065/0	PARTE SUP. SACCO	UPPER GRASS-BOX	PARTIE SUP. SAC	OBERSKORB	1
113	22486064/0	PARTE INF. SACCO	LOWER GRASS-BOX	PARTIE INF. SAC	UNTERS KORB	1
121	81003288/1	LEVA TRAZIONE	DRIVING LEVER	LEVIER TRACTION	ANTRIEBHEBEL	1
122	22041965/0	BUSSOLA	BUSH	DOUILLE	BUCHSE	2
131*	18120050/0	BATTERIA	BATTERY	BATTERIE	BATTERIE	1
132	22807640/0	SUPP. BATTERIA	BATTERY SUPPORT	SUPPORT BATTERIE	BATTERIE HALTER	1
133	12728680/0	VITE	SCREW	VIS	SCHRAUBE	2
134*	18204110/0	CARICA BATTERIA	BATTERY CHARGER	CHARGEUR DE BATTERIE	LADGERÄT	1
135*	18450050/0	INTERRUPTORE	SWITCH	INTERRUPTEUR	SCHALTER	1
136*	18204190/2	CAVO AVVIAMENTO	START CABLE	CABLE DÉMARRAGE	START KABEL	1
—	81008606/0	DOTAZIONE VITERIA	SCREWS OUTFIT	DOTATION VISSERIE	SCHRAUBEN SATZ	1
—	81008499/1	DOTAZIONE CRUSCOTTO	DASH-BOARD OUTFIT	DOTATION CONSOLE	KONSOLE SATZ	1

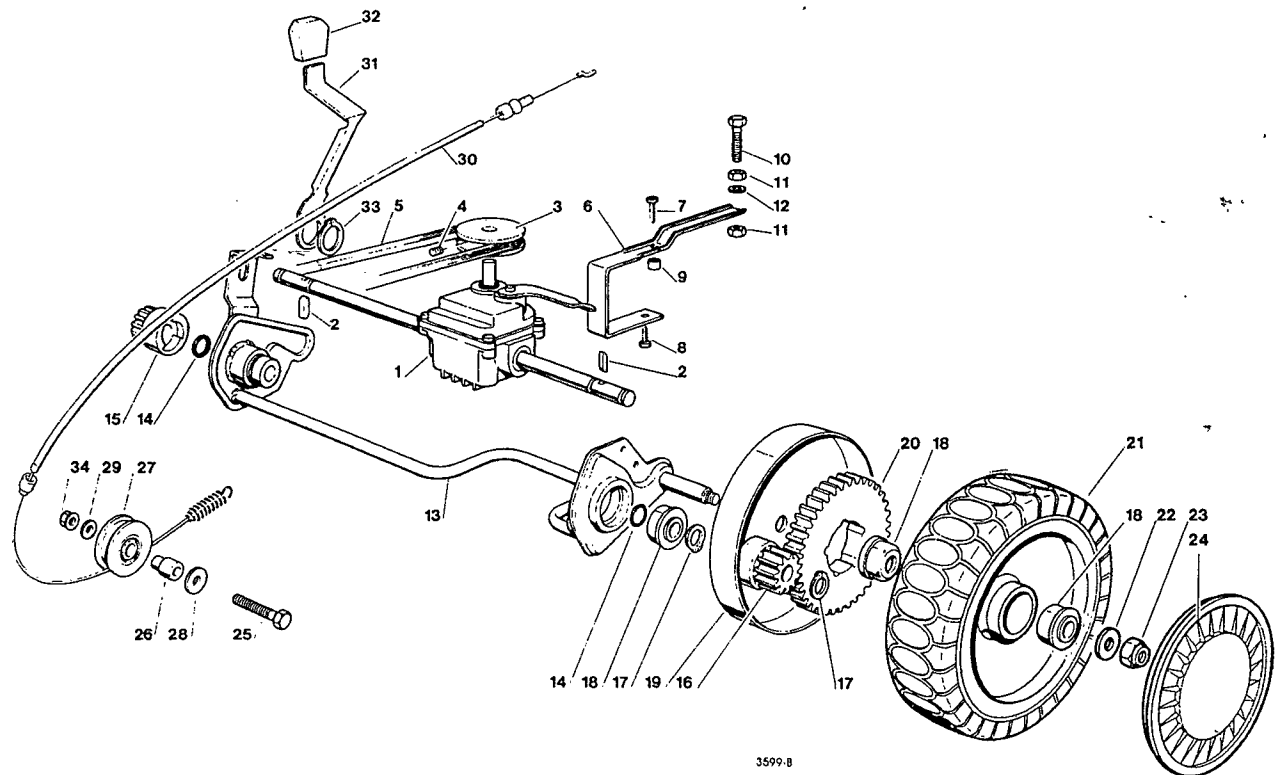
DOVENDO SOSTITUIRE IN GARANZIA LE PARTI CONTRASSEGNAE CON *-* RIVOLGERSI AL COSTRUTTORE DEL MOTORE.
IF YOU HAVE TO CHANGE THE PIECES INDICATED WITH *-* ON WARRANTY YOU ADDRESS TO AFTER SALES SERVICE OF ENGINE MANUFACTURER.
SI VOUS DEVEZ SUBSTITUER LES PIÉCESE INDIQUÉES AVEC *-* SOUS GARANTIE VOUS DEVES VOUS ADDRESS AU SERVICE APRÈS VENTES DE LA MAISON CONSTRUCTRICE DU MOTEUR.
BITTE WENDEN SIE SICH BEI GARANTIEREPARATUREN DER MIT *-* GEKENNZEICHNETEN TEILE AN DIE KUNDENDIENSTSTELLE DES MOTORHRESTERLLER.

VISTE ESPLOSE
EXPLODED VIEWS

VUES ECLATEES
SPRENGZEICHNUNGEN

T 484 TR
T 484 TR-E 002

Mod. 1997



3599-B

Pos. Nr.	Codice Kodex Code	Descrizione	Description	Description	Beschreibung	Q.tà Q.ty Q.tè Menge
1	18652030/1	GRUPPO TRAZIONE	REAR DRIVE	GROUPE TRACTION	ANTRIEB	1
2	22328600/1	LINGUETTA TRASCINAMENTO	DRIVING KEY	CLAVETTE	MITNEHMERLAPPEN	2
3	22601904/0	PULEGGIA 4 KM/H	PULLEY 4 KM/H	POULIE 4 KM/H	RIEMENSCHLEIBE 4 KM/H	1
4	12645705/0	SPINA	PIN	GOUILLE	STIFT	1
5	35064100/0	CINGHIA Z 30	BELT Z 30	COURROIE Z 30	RIEMEN Z 30	1
6	22785111/0	SUPPORTO GRUPPO TRAZIONE	REAR DRIVE UNIT SUPPORT	SUPPORT GROUPE TRACTION	ANTRIEBHALTER	1
7	12728505/0	VITE	SCREW	VIS	SCHRAUBE	1
8	12728630/0	VITE	SCREW	VIS	SCHRAUBE	1
9	22170600/0	DISTANZIALE	SPACER	ENTRETOISE	SCHRAUBE	1
10	12793850/0	VITE	SCREW	VIS	SCHRAUBE	1
11	12293200/0	DADO	NUT	ECROU	MUTTER	1
12	12521350/0	RONDELLA	WASHER	RONDELLE	SCHEIBE	1
13	81001412/1	ASSE RUOTE POSTERIORE	REAR WHEELS AXLE	AXE ROUES ARRIERE	HINTERRADACHSE	1
14	12019900/0	ANELLO	RING	BAGUE	RING	2
15	22570110/0	PIGNONE DESTRO	RIGHT PINION	PIGNON DROITE	RECHTES RITZEL	1
16	22570120/0	PIGNONE SINISTRO	LEFT PINION	PIGNON GAUCHE	LINKES RITZEL	1
17	12608600/0	SEEGER	SEEGER	SEEGER	SEEGER	1
18	22122200/0	CUSCINETTO	BEARING	ROULEMENT	KUGELLAGER	4
19	81006846/0	PROTEZIONE RUOTE	WHEEL GUARD	PROTECTION ROUE	RÄDERSCHUTZ	2
20	22120105/1	CORONA	RING GEAR	COURONNE	KRANZ	2
21	81007318/1	RUOTA SCOLPITA Ø 210	KNOBBLY WHEEL Ø 210	ROUE SCULPTEE Ø 210	RAD M. STOLLENPR. Ø 210	2
22	12369500/0	RONDELLA	WASHER	RONDELLE	SCHEIBE	2
23	12155000/0	DADO	NUT	ECROU	MUTTER	2
24	22110281/0	COPRIMOZZO BIANCO	WHITE HUB CAP	COUVRE-MOYEU BLANC	WEIßE RADKAPPE	2
—	22110287/0	COPRIMOZZO GIALLO	YELLOW HUB CAP	COUVRE-MOYEU JAUNE	GELBE RADKAPPE	2
—	22110289/0	COPRIMOZZO ROSSO	RED HUB CAP	COUVRE-MOYEU ROUGE	ROTE RADKAPPE	2
25	12793800/0	VITE	SCREW	VIS	SCHRAUBE	1
26	22170910/0	DISTANZIALE	SPACER	ENTRETOISE	DISTANZRING	1
27	81003375/0	ASS. RUOTINO	BEARING BALL	COUSSINET	KUGELLAGER	1
28	12523060/0	RONDELLA	WASHER	RONDELLE	SCHEIBE	1
29	12521350/0	RONDELLA	WASHER	RONDELLE	SCHEIBE	1
30	81001094/1	ASS. COMANDO TRAZIONE	REAR DRIVE ASS.Y	ENS. COMMANDE TRACTION	ANTRIEBKABEL	1
31	22321497/0	LEVA REGOLAZIONE	ADJUSTMENT LEVER	LEVIER REGLAGE	VERSTELLUNGHEBEL	1
32	22400000/1	MANOPOLINA	KNOB	POIGNÉE	GRIFF	1
33	12609260/0	SEEGER	SEEGER	SEEGER	SEEGER	1
34	12155000/0	DADO	NUT	ECROU	MUTTER	1