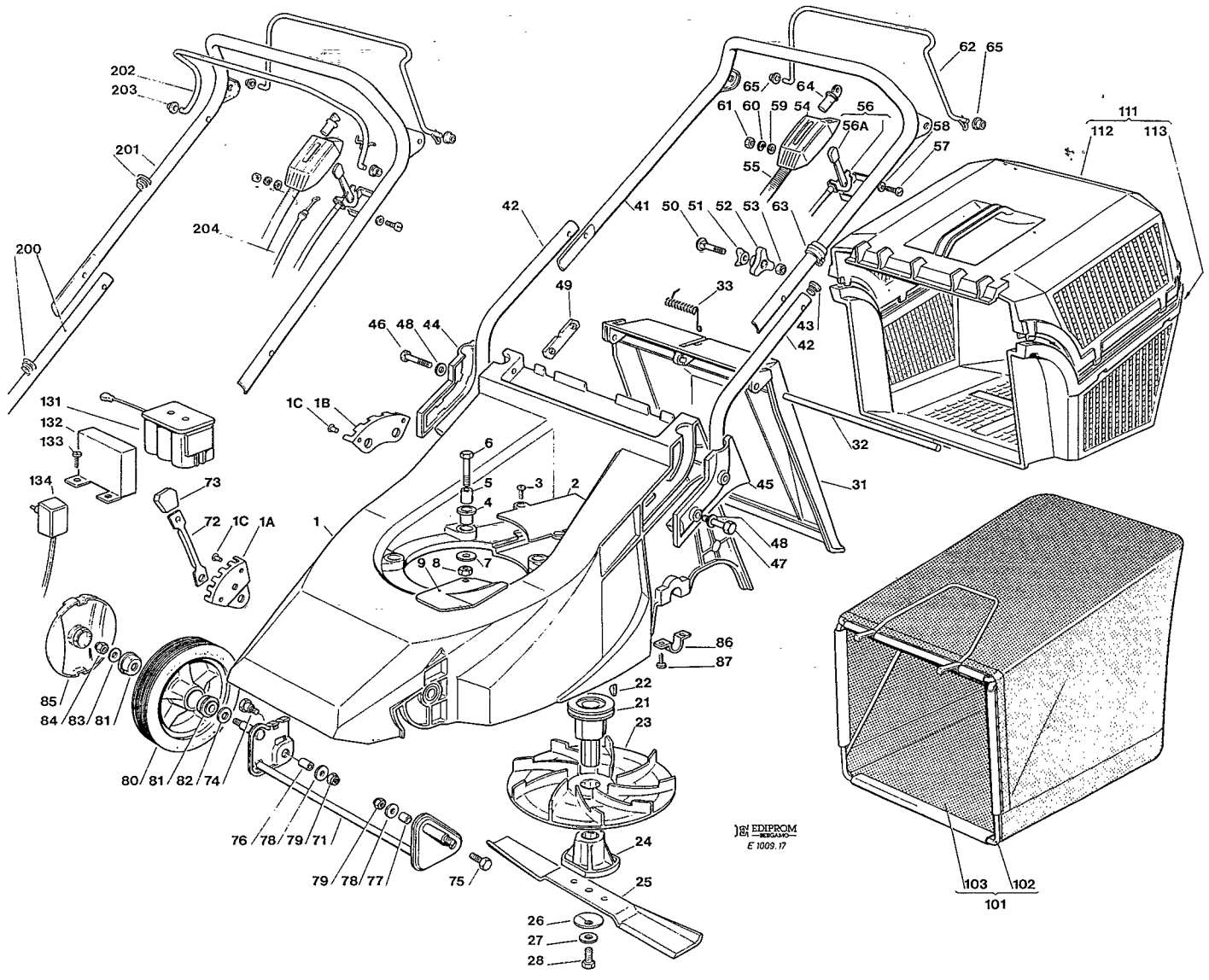


VISTE ESPLOSE
EXPLODED VIEWS

1994
VUES ECLATEES
SPRENGZEICHNUNGEN
1994

Rapid 460 auto
T 484 TR
T 484 TR-E 001
Rapid 460 auto estart

Mod. 1994



Les N° 832 300 626

Pos. Nr.	Codice Kodex Code	Descrizione	Description	Description	Beschreibung	Q.tà Q.ty Q.tè Menge
1	81001416/0	CHASSIS ROSSO	RED DECK	CHASSIS ROUGE	GEHÄUSE ROT	1
1a	81001418/0	CHASSIS GIALLO	YELLOW DECK	CHASSIS JOUNE	GEHÄUSE GELB	1
1b	81001420/0	CHASSIS GRIGIO	GREY DECK	CHASSIS GRIS	GEHÄUSE GRAU	1
1c	81001422/0	CHASSIS VERDE	GREEN DEK	CHASSIS VERT	GEHÄUSE GUEN	1
1A	22735535/0	SETTORE REGOLA.	ADJ. UNIT	SECTEUR	VERSTELLUNG SEKTOR	1
1B	22735508/0	SETTORE REGOLA.	ADJ. UNIT	SECTEUR	VERSTELLUNG SEKTOR	1
1C	12500070/0	RIVETTO	RIVET	RIVET	NIETE	3
2	22060172/0	CARTER	DECK	CHASSIS	GEHÄUSE	1
3	12728680/0	VITE	SCREW	VIS	SCHAUBE	2
4	22040265/0	BUSSOLA	BUSH	BOUILLE	HÜLSE	3
5	22167840/0	DISTANZIALE	SPACER	ENTRETOISE	ENTFERNUNGSSTÜCK	3
6	12691800/0	VITE	SCREW	VIS	SCHRAUBE	3
7	12523070/0	RONDELLA	WASHER	GROWER	SCHEIBE	3
8	12155000/0	DADO	NUT	ECROU	MUTTER	3
9	22484070/0	PARACALORE	MUFFLER GUARD	GRILLE DE PROTECTION	SCHUTZABDECKUNG	1

Pos. Nr.	Codice Kodex Code	Descrizione	Description	Description	Beschreibung	Q. tà Q. ty Q. tè Menge
21	22465605/0	MOZZO GIRANTE (PP Ø22)	HUB FAN (P.T.O. Ø22)	MOYEU VENTILATEUR (P.F. Ø22)	HALTER LUEFTER (M.W. Ø22)	1
21/A	22465606/0	MOZZO GIRANTE (PP Ø25)	HUB FAN (P.T.O. Ø25)	MOYEU VENTILATEUR (P.F. Ø25)	HALTER LUEFTER (M.W. Ø25)	1
22	12139100/0	LINGUETTA (PP Ø22)	FEATHER (P.T.O. Ø22)	CLAVETTE (P.F. Ø22)	KEIL (M.W. Ø22)	1
22A	12139150/0	LINGUETTA (PP Ø25)	FEATHER (P.T.O. Ø25)	CLAVETTE (P.F. Ø25)	KEIL (M.W. Ø25)	1
23	22245080/0	GIRANTE	FAN	VENTILATEUR	LUEFTER	1
24	22465604/0	MOZZO	HUB	MOYEU	HALTER	1
25	81004346/0	COLTELLO STANDARD	STANDARD BLADE	LAME STANDARD	STANDARD MESSER	1
25A	81004397/0	COLTELLO ALETTATO	WINGS BLADE	LAME À AILETTES	FLUEGEL MESSER	1
26	22160400/0	DISCO ELASTICO	ELASTIC WASHER	RONDELLE ELASTIQUE	ELASTISCHE SCHEIBE	1
27	12523080/0	RONDELLA	WASHER	RONDELLE	SCHEIBE	1
28	12736820/0	VITE	SCREW	VIS	SCHRAUBE	1
31	22600023/1	PARASSASSI	STONE GUARD	PARE-PIERRES	PRALLBLECH	1
32	22517907/0	PERNO	PIN	PIVOT	BOLZEN	1
33	22450270/0	MOLLA	SPRING	GAUCHE	FEDER	1
41	81006959/0	MANICO SUP.	UPPER HANDLE	PARTIE SUP. MANCHERON	OBERHOLM	1
42	81006917/0	MANICO INF.	LOWER HANDLE	PARTIE INF. MANCHERON	UNTERHOLM	2
43	18566110/0	PUNTALE	CAP	BOUCHON	GUMMISTOPFEN	2
44	22600042/0	PROTEZ. MANICO DX	RIGHT HANDLE PROT.	PROT. MANCHERON DX	HOLM SCHUTZ RECHTS	1
45	22600043/0	PROTEZ. MANICO SX	LEFT HANDLE PROT.	PROT. MANCHERON SX	HOLM SCHUTZ LINKS	1
46	12691400/0	VITE	SCREW	VIS	SCHRAUBE	2
47	12691900/0	VITE	SCREW	VIS	SCHRAUBE	2
48	12521350/0	RONDELLA	WASHER	GROWER	SCHEIBE	4
49	22551632/0	PIASTRINA FISSAGGIO MANICO	PLATE FOR HANDLE FASTENING	PLAQUETTE FIXAGE MANCHERON	HOLMBEFESTIGUNG PLÄTTCHEN	2
50	12819120/0	VITE	SCREW	VIS	SCHRAUBE	2
51	22680006/1	ROSETTA	WASHER	RONDELLE	SCHEIBE	2
52	22399900/0	MANOPOLINA	KNOB	POIGNÉE	GRIFF	2
53	12293200/0	DADO	NUT	ECROU	MUTTER	2
54	22120142/0	CRUSCOTTO TR	DASH BOARD TR	CONSOLE TR	KONSOLE TR	1
54A	22120143/0	CRUSCOTTO TR/ES	DASH BOARD TR/ES	CONSOLE TR/ES	KONSOLE TR/ES	1
55*	18204190/1	ASS. CABLAGGIO	CABLES UNIT	ENS. CFABLAGE	KABEL	1
56	81007048/0	ASS. ACC. UNIVERSALE	THROTTLE UNIT	ENS. ACCELERATEUR	BESCHLEUNIGER	1
56A	22394640/3	MANOPOLINA	KNOB	POIGNÉE	GRIFF	1
57	12791400/0	VITE	SCREW	VIS	SCHRAUBE	1
58	12521330/0	RONDELLA	WASHER	GROWER	SCHEIBE	2
59	12523040/0	RONDELLA	WASHER	GROWER	SCHEIBE	2
60	12582100/0	GROWER	GROWER	GROWER	FEDERRING	2
61	12292100/0	DADO	NUT	ECROU	MUTTER	2
62	81003288/0	LEVA TRAZIONE	DRIVING LEVER	LEVIER TRACTION	ANTRIEBHABEL	1
63	22192000/1	FASCETTA ANCORAGGIO	ANCHOR CLAMP	COLLIER ANCRAGE	BOWDENZUGHATER	2
64*	18450050/0	INTERRUPTORE	SWITCH	INTERRUPTERU	SCHALTER	1
65	22041965/0	BUSSOLA	BUSH	DOUILLE	BÜCHSE	2
71	81001410/0	ASSE RUOTE ANT.	FRONT WHEEL AXLE	AXE ROUES AVANT	VORRAD ACHSE	1
72	22321502/0	LEVA REGOLAZIO.	ADJ. LEVER	LEVIER REGLAGE	HEBEL	1
73	22400000/0	MANOPOLINA	KNOB	POGNÉE	GRIFF	2
74	22519510/0	PERNO	PIN	PIVOT	BOLZEN	1
75	12668700/0	VITE	SCREW	VIS	SCHRAUBE	1
76	22170950/0	DISTANZIALE DX	SPACER DX	ENTRETOISE DX	DISTANZRING DX	1
77	22170940/0	DISTANZIALE SX	SPACER SX	ENTRETOISE SX	DISTANZRING SX	1
78	12523060/0	ROSETTA	WASHER	RONDELLE	SCHEIBE	2
79	12155000/0	DADO	NUT	ECROU	MUTTER	2
80	81007311/0	RUOTA Ø170 NERA	BLACK Ø170 WHELL	ROUE Ø170 NOIRE	SCHWARZE Ø170 RAD	2
81	22122200/0	CUSCINETTO	BEARING	COUSSINET	KUEGELLAGER	8
82	12530150/0	ROSETTA ELASTICA	ELASTIC WASHER	RONDELLE ELASTIQUE	ELASTISCHE SCHEIBE	4
83	12521350/0	ROSETTA	WASHER	RONDELLE	SHEIBE	4
84	12155000/0	DADO	NUT	ECROU	MUTTER	4
85	22110252/0	COPRIMOZZO BIANCO	WHITE HUB CAP	COUVRE MOYEU BLANCHE	WEISSE RADKAPPE	2
85A	22110254/0	COPRIMOZZO GIALLO	YELLOW HUB CUP	COUVRE MOYEU JAUNE	GELBE RADKAPPE	2
86	22545152/0	PIASTRINA SX	LEFT PLATE	PLAQUETTE GAUCHE	LINKER PLAETTCHEN	2
86A	22545154/0	PIASTRINA DX	RIGHT PLATE	PLAQUETTE DROITE	RECHTER PLAETTCHEN	2
87	12735402/0	VITE	SCREW	VIS	SCHRAUBE	1
101	96400000/0	ASS. SACCO IN TELA	CANVASS GRASSCATCHER ASSY	ENSEMBLE SAC EN TOILE	KOMPLETTER SACK	1
102	81006430/0	TELAIO	CHASSIS	CHASSIS	RAHMEN	1
103	81002121/0	TELA SACCO	FABRIC BOX	TOILE POUR SAC	TUCK FUER SACK	1
111	96500000/0	SACCO COMPLETO	COMPLETE GRASS-BOX	BAC COMPLET	KOMPLETTER KORB	1
112	22486065/0	PORTE SUP. SACCO	UPPER GRASSBOX	PARTIE SUP. BAC	KORB OBERTEIL	1
113	22486064/0	PORTE INF. SACCO	LOWER GRASSBOX	PARTIE INF. BAC	KORB UNTERTEIL	1
115	12521350/0	RONDELLA	WASHER	GROWER	SCHEIBE	2
131*	18120050/0	BATTERIA	BATTERY	BATTERIE	BATTERIE	1
132	22807640/0	SUPP. BATTERIA	BATTERY SUPPORT	SUPPORT BATTERIE	BATTERIE	1
133	127286805	VITE	SCREW	VIS	SCHRAUBE	2
134*	18204110/0	CARICA BATTERIE	BATTERY CHARGER	CHARGEUR DE BATTERIE	LADGERAET	1
	81008584/0	DOTAZIONE VITERIA	SCREWS OUTFIT	DOTATION VISSERIE	SCHRAUBEN SATZ	1

	VARIANTI FRENO MOTORE E AVVIAMENTO SU MANICO	VARIANTS FOR ENGINE BRAKE AND STARTING ON HANDLE	VARIATIONS POUR FREIN-MOTEUR ET DÉMARRAGE SUR MANCHERON	ÄNDERUNGEN FÜR MOTORBREMSE UND ANLASSEN AUF HOLM		
200	81006954/0	PARTE INF. MANICO	LOWER HANDLE	PARTIE INF. MANCHERON	UNTERHOLM	1
201	81006963/0	PARTE SUP. MANICO	UPPER HANDLE	PARTIE SUP. MANCHERON	OBERHOLM	1
202	81003289/0	ASS. LEVA FRENO MOTORE	BRAKE LEVER ASSY	LEVIER FREIN MOTEUR	MOTORBREMSEHEBEL	1
203	22041966/0	BUSSOLA	BUSH	DOUILLE	BÜCHSE	2
204	81000621/0	ASS. CAVO FRENO MOTORE SPRINT 375	THREAD MOTOR BRAKE ASSY SPRINT 375	CABLE FREIN MOTEUR SPRINT 375	MOTORBREMSEKABEL SPRINT 375	1
204A	81001105/0	ASS. CAVO FRENO MOTORE QUANTUM XM	THREAD MOTOR BRAKE ASSY QUANTUM XM	CABLE FREIN MOTEUR QUANTUM XM	MOTORBREMSEKABEL QUANTUM XM	1
204B	81000622/0	ASS. CAVO FRENO MOTORE TECUMSEH	THREAD MOTOR BRAKE ASSY TECUMSEH	CABLE FREIN MOTEUR TECUMSEH	MOTORBREMSEKABEL TECUMSEH	1

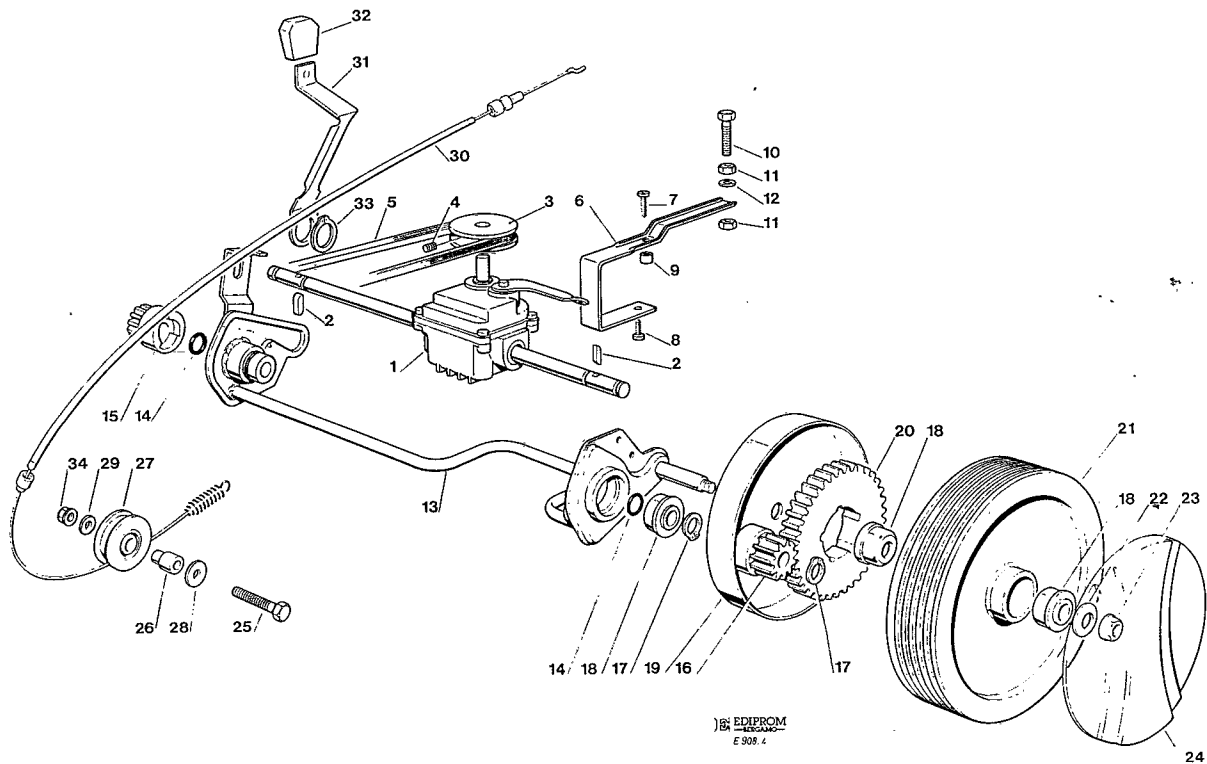
DOVENDO SOSTITUIRE IN GARANZIA LE PARTI CONTRASSEGNAE CON *» RIVOLGERSI AL COSTRUTTORE DEL MOTORE.
IF YOU HAVE TO CHANGE THE PIECES INDICATED WITH *» ON WARRANTY YOU ADDRESS TO AFTER SALES SERVICE OF ENGINE MANUFACTURER.
SI VOUS DEVEZ SUBSTITUER LES PIÉCES INDIQUEES AVEC *» SOUS GARANTIE VOUS DEVEZ VOUS ADDRESS AU SERVICE APRÉS VENTES DE LA MAISON CONSTRUCTRICE DU MOTEUR.
BITTE WENDEN SIE SICH BEI GARANTIEREPARATUREN DER MIT *» GEKENNZEICHNETEN TEILE AN DIE KUNDENDIENSTSTELLE DES MOTORHERSTELLER.

VISTE ESPLOSE
EXPLODED VIEWS

1994 1000 s+k
VUES ECLATEES
SPRENGZEICHNUNGEN
1994 1000 s+k

Rapid 460 auto
T 484 TR
T 484 TR-E 002
Rapid 460 auto dst

Mod. 1994



Pos. Nr.	Codice Kodex Code	Descrizione	Description	Description	Beschreibung	Q.tà Q.ty Q.tè Menge
1	18652030/0	GRUPPO TRAZIONE	REAR DRIVE	GRUPE TRACTION	ANTRIEB	1
2	22328600/1	LINGUETTA TRASCINAMENTO	DRIVING KEY	LANGUETTE ENTRAINEMENT	MITNEHMERLAPPEN	2
3	22601901/0	PULEGGIA 4 KM/H	PULLEY 4 KM/H	POULIE 4 KM/H	RIEMENSCHIEBE 4 KM/H	1
4	12714302/0	GRANO	DOWEL	VIS SANS TETE	SCHRAUBE	1
5	35064100/0	CINGHIA Z 30	BELT Z 30	COURROIE Z 30	RIEMEN Z 30	1
6	22785111/0	SUPPORTO GRUPPO TRAZIONE	REAR DRIVE UNIT SUPPORT	SUPPORT GROUPE TRACTION	ANTRIEBHALTER	1
7	12728505/0	VITE	SCREW	VIS	SCHRAUBE	1
8	12728630/0	VITE	SCREW	VIS	SCHRAUBE	1
9	22170600/0	DISTANZIALE	SPACER	ENTRETOISE	ENTFERNUNGSSKT	1
10	12793850/0	VITE	SCREW	VIS	SCHRAUBE	1
11	12293200/0	DADO	NUT	ECROU	SCHRAUBENMUTTER	1
12	12521350/0	RONDELLA	WASHER	GROWER	SCHIEBE	1
13	81001412/1	ASS. RUOTE POST.	REAR WHEELS AXLE	AXE ROUES ARRIERES	HINTERRAEDER ACHSE	1
14	12019900/0	ANELLO	RING	ANNEAU	RING	2
15	22570110/0	PIGNONE DX	RIGHT PINION	PIGNON DROIT	RECHTES RITZEL	1
16	22570120/0	PIGNONE SX	LEFT PINION	PIGNON GAUCHE	LINKES RITZEL	1
17	12608600/0	SEEGER	SEEGER	SEEGER	SEEGER	1
18	22122200/0	CUSCINETTO	BEARING BALL	COUSSINET	KUGELLAGER	4
19	81006846/0	PROTEZIONE RUOTE	WHEELS GUARD	PROTECTION RUOES	RAEDERSCHUTZ	2
20	22120105/1	CORONA	RING GEAR	COURONNE	KRANZ	2
21	81007313/0	RUOTA POST. Ø210 NERA	REAR WHEEL Ø210 BLACK	ROUE ARRIERE Ø210 NOIRE	HINTERRAD Ø210 SCHWARZE	2
22	12369500/0	RONDELLA	WASHER	RONDELLE	SCHIEBE	2
23	12155000/0	DADO	WASHER	ECROU	SCHRAUBENMUTTER	2
24	22110251/0	COPRIMOZZO BIANCO	WHITE HUB CUP	COUVRE MOYERBLANCHE	WEISSE RADKAPPE	2
24A	22110253/0	COPRIMOZZO GIALLO	YELLOW HUB CUP	COUVRE MOYEU JAUNE	GELBE RADKAPPE	2
25	12793800/0	VITE	SCREW	VIS	SCHRAUBE	1
26	22170910/0	DISTANZIALE	SPACER	ENTRETOISE	ENTFERNUNGSSTUECK	1
27	81003375/0	ASS. RUOTINO	BEARING BALL	COUSSINET	KUGELLAGER	1
28	12523060/0	RONDELLA	WASHER	RONDELLE	SCHIEBE	1
29	12521350/0	RONDELLA	WASHER	GROWER	SCHIEBE	1
30	81001094/0	ASS. COMANDO TRAZIONE	REAR DRIVE ASS'Y	ENS. COMANDE TRACTION	ANTRIEB	1
31	22321497/0	LEVA REGOLAZIONE	ADJ. LEVER	LEVIER REGLAGE	VERSTELLUNGHEBEL	1
32	22400000/0	MANOPOLINA	KNOB	POIGNÉE	GRIFF	1
33	12609260/0	SEEGER	SEEGER	SEEGER	SEEGER	1
34	12155000/0	DADO	NUT	ECROU	SCHRAUBENMUTTER	1