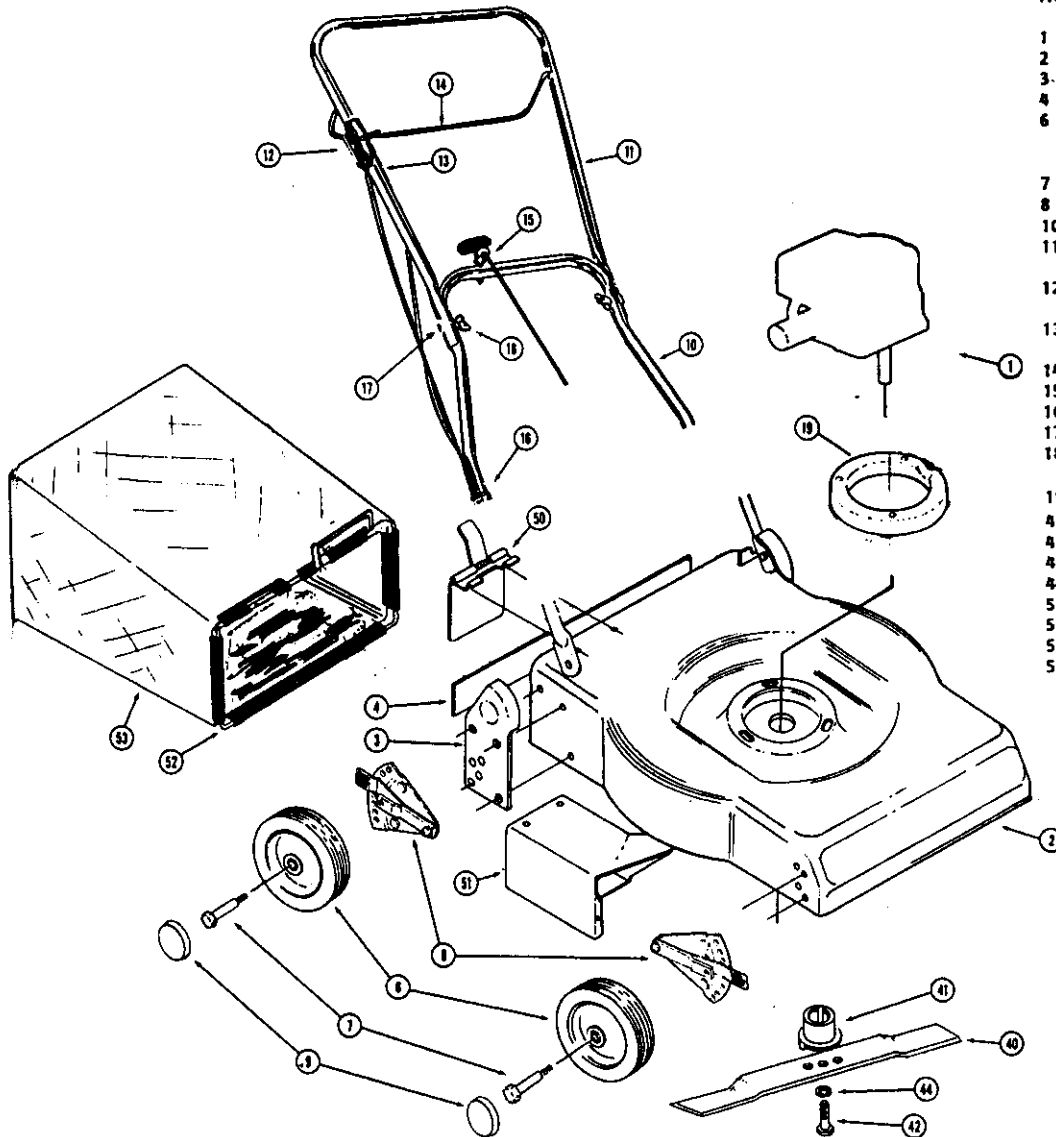


RAPID 21

42-9121

90RB-1

THIS MODEL MEETS C.P.S.C. BLADE SAFETY REQUIREMENTS



Ref. No.	Part No.	Description
1	—	Engine
2	2285	Base
3	2227	Handle Bracket (L & R)
4	2246	Rear Deflector
6	925	Wheel, 8" Poly
	732	Wheel, 8" Steel; w/Grafoil Bushing
	734	Wheel, 8" Steel; Ball Bearing
7	582	Axle
8	2400	Height Adjuster, Pivotal
10	2314	Handle, Lower Fold
11	2300	Handle, Upper Fold
	2311	Handle, Upper Fold, w/Vinyl Grip
12	2362	Throttle Control - SPRINT
	2364	Throttle Control - QUANTUM
13	2359	Control Cable, Blade Brake - SPRINT
	2416	Control Cable, Blade Brake - QUANTUM
14	2303	Control Bar, Blade Brake
15	2399	Recoil Starter Mounting Bolt
16	2291	Cable Tie
17	1030	Pivot Bolt, Fold Handle
18	2148	Wing Nut - STD
	2429	Wing Knob - Deluxe
19	2167	Mounting Ring, Engine
40	2342	Blade, 21"
41	2408	Blade Adapter (1-3/4")
42	469	Blade Bolt (3/8" x 2-1/2") H.T.
44	117	Lockwasher
50	2244	Grass Trap, w/Attachment
51	2235	Grass Discharge Chute
52	2376	Frame, Grass Bag Assembly
53	2375	Grass Bag, 487