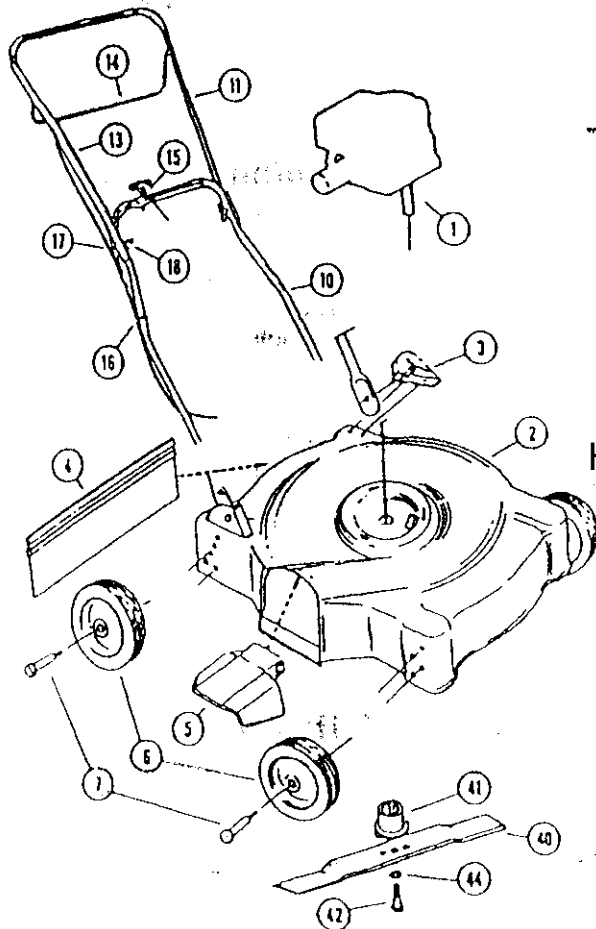


PARK 50 S 000503  
 RAPID 20 000228



REF NO.	PART NO.	DESCRIPTION
1	---	Engine (See Engine Manual)
2	5602210	Base, 20"
3	6302208	Handle Bracket (Left)
	6302209	Handle bracket (Right)
4	5702368	Rear Deflector
5	5702335	Chute Deflector
6	5700729	Wheel, 6" Poly
7	5800431	Axle
10	5602562	Handle, Lower
11	5602563	Handle, Upper
13	5702534	Control Cable, Blade Brake
14	5602303	Control Bar, Blade Brake
15	5802399	Recoil Starter Mounting Bolt
16	5702291	Cable Tie
17	5801030	Pivot Bolt
18	5802148	Wing Nut
40	5602341	Blade, 20"
41	5702515	Blade Adapter (1 3/4")
42	5800071	Blade Bolt (3/8" x 2") H.T.
44	5800117	Lockwasher
60	5702518	Safety Information Decals