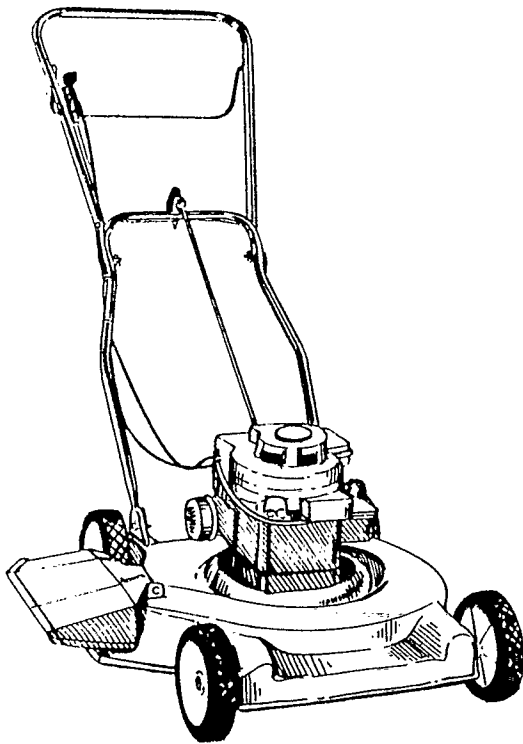


OWNERS MANUAL



90-9120

91P20-1

Texas SOS

NOTE: ALL PAPERS INCLUDED IN THIS CARTON SHOULD BE KEPT BY PURCHASER FOR FUTURE REFERENCE.

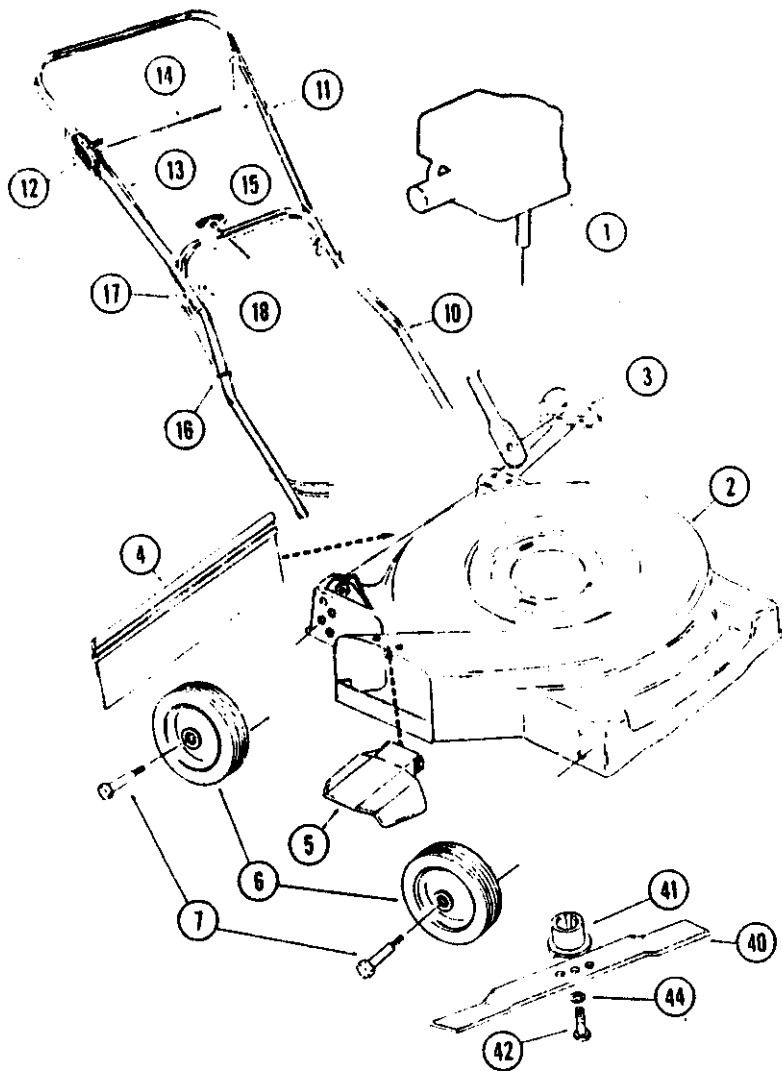
Record the following information and keep for your permanent records. In all correspondence relating to this mower, or when ordering parts, furnish this information. Fill in required information on mower registration card and mail immediately. Engine information is stamped on side of engine housing. Mower information is printed on label located at rear of mower base assembly.

ENGINE INFORMATION	MOWER INFORMATION
Engine Make: _____	Name On Mower: _____
Model No.: _____	Model No.: _____
Type No.: _____	Serial No.: _____
Code No.: _____	Code No.: _____
Date of Purchase: _____	
Purchased From: _____	



SOUTHLAND MOWER CORPORATION

2995 OLD MONTGOMERY HIGHWAY • POST OFFICE BOX 347 • SELMA, ALABAMA 36701 • TELEPHONE (205) 874-7405



Ref. No.	Part No.	Description
1	—	Engine
2	2210	Base 20"
3	2208	Handle Bracket (L&R)
4	2368	Rear Deflector
5	2335	Chute Deflector; Poly
6	729	Wheel, 6" Poly
	2392	Wheel, 6" PVC
	730	Wheel, 7" Poly
	2397	Wheel, 7" PVC
	731	Wheel, 7" Steel; w/Grafoil Bushing
	733	Wheel, 7" Steel; Ball Bearing
7	431	Axle
10	2447-B	Handle, Lower - Black
	2447-C	Handle, Lower - Chrome
11	2449-B	Handle, Upper - Black
	2449-C	Handle, Upper - Chrome
12	2362	Throttle Control
13	2424	Control Cable, Blade Brake
14	2303	Control Bar, Blade Brake
15	2399	Recoil Starter Mounting Bolt
16	2291	Cable Tie
17	1030	Pivot Bolt, Fold Handle
18	2148	Wing Nut
40	2341	Blade, 20"
41	2408	Blade Adapter (1 3/4")
42	71	Blade Bolt (3/8" x 2") H.T.
44	117	Lockwasher