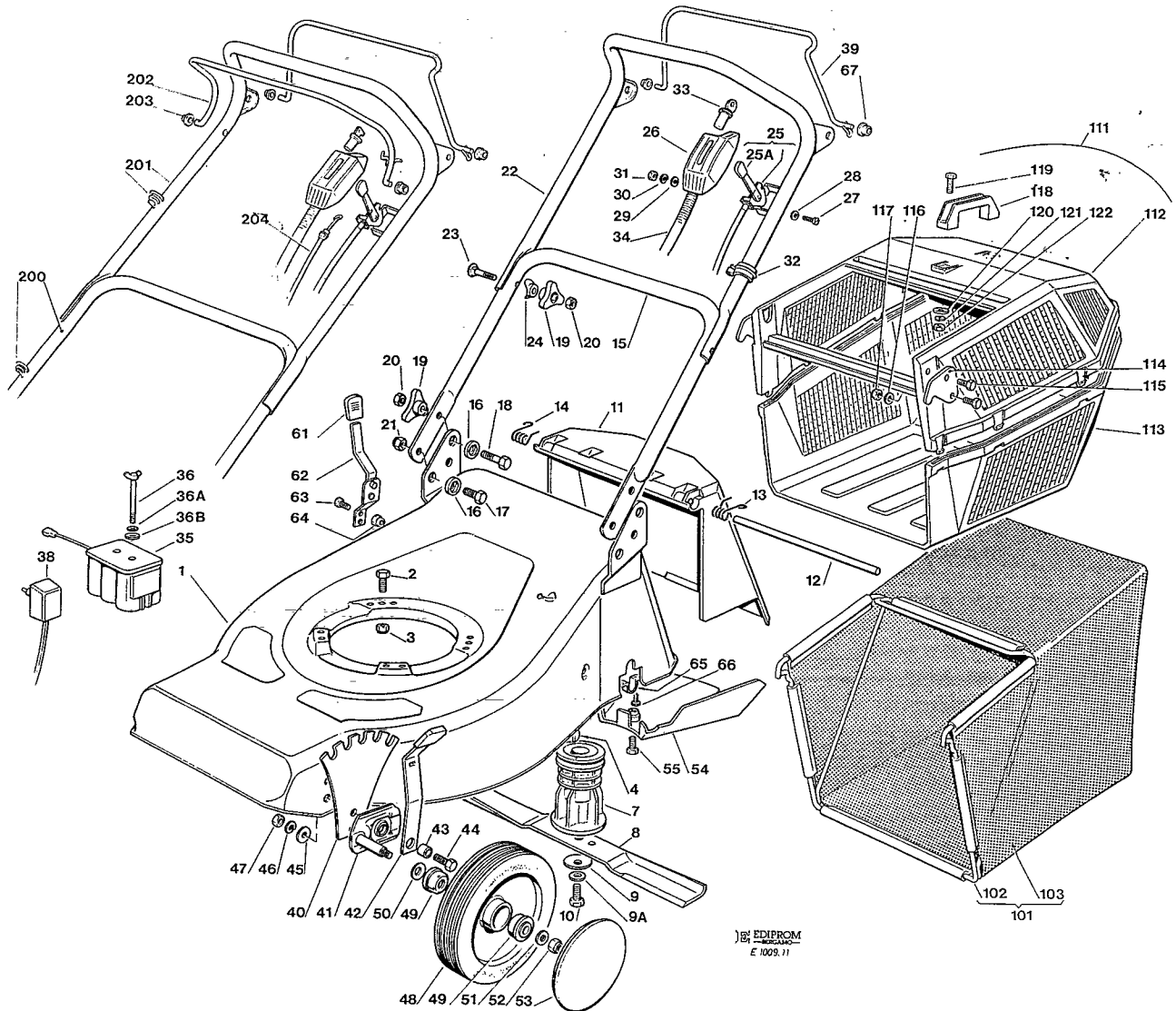


VISTE ESPLOSE
EXPLODED VIEWS

VUES ECLATEES
SPRENGZEICHNUNGEN

R 484 TR
R 484 TR-E 001

Mod. 1994



EDIPROM
E 1009.11

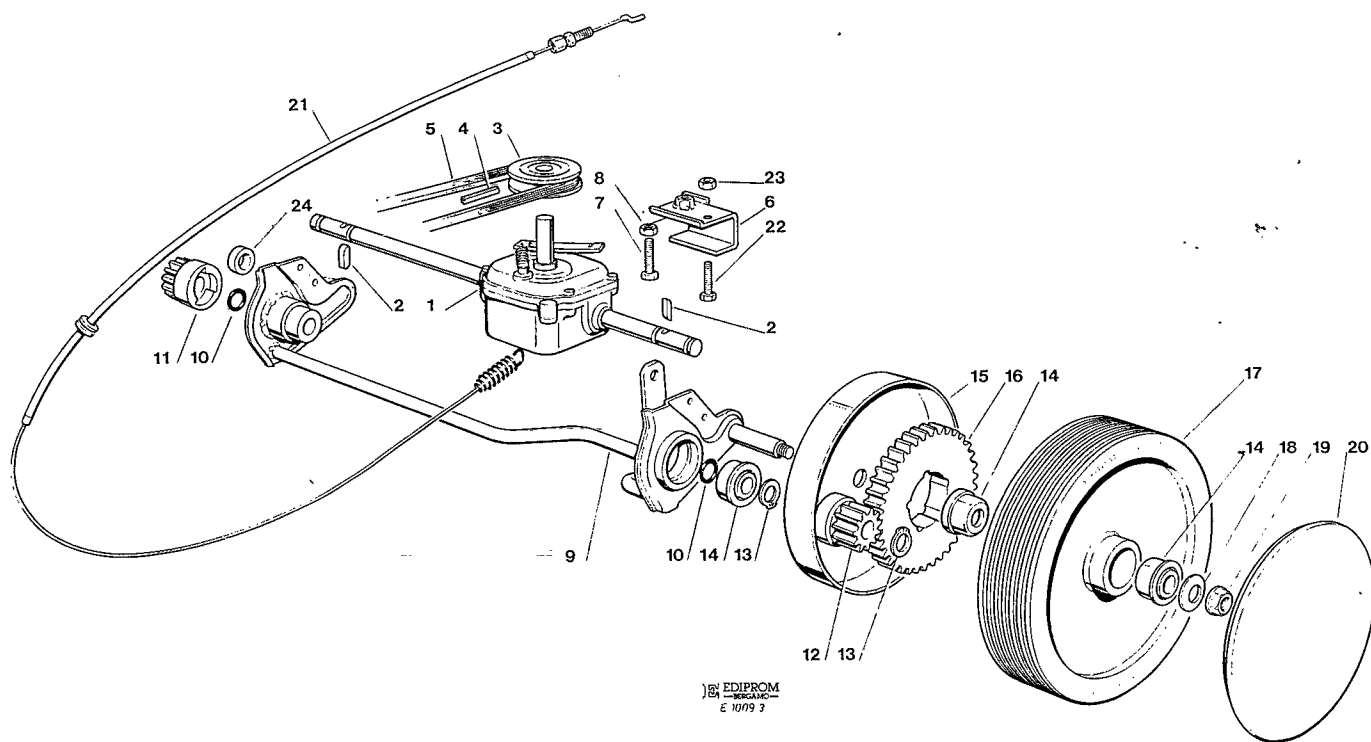
Pos. Nr.	Codice Kodex Code	Descrizione	Description	Description	Beschreibung	Q.tà Q.ty Q.tè Menge
1	81001314/0	CHASSIS ROSSO R 484 TR	RED DECK R 484 TR	CHASSIS ROUGE R 484 TR	ROTE GEHÄUSE R 484 TR	1
1A	81001315/0	CHASSIS ROSSO R 484 TR-E	RED DECK R 484 TR-E	CHASSIS ROUGE R 484 TR-E	ROTE GEHÄUSE R 484 TR-E	1
2	12793700/0	VITE (M8×30)	SCREW (M8×30)	VIS (M8×30)	SCHRAUBE (M8×30)	3/2
2A	12793900/0	VITE (M8×60)	SCREW (M8×60)	VIS (M8×60)	SCHRAUBE (M8×60)	0/1
3	12293201/0	DADO	NUT	ECROU	MUTTER	3/2
3A	12155000/0	DADO	NUT	ECROU	MUTTER	0/1
4	12139100/0	LINGUETTA (PP Ø22)	FEATHER (P.T.O. Ø22)	CLAVETTE (P.F. Ø22)	KEIL (MW Ø22)	1
4B	12139150/0	LINGUETTA (PP Ø25)	FEATHER (P.T.O. Ø25)	CLAVETTE (P.F. Ø25)	KEIL (MW Ø25)	1
7	22465607/0	MOZZO CON PULEGGIA (PP 62 Ø22)	HUB WITH PULLEY (PP 62 Ø22)	MOYEU AVEC POULIE (PP 62 Ø22)	NABE MIT SCHEIBE (PP 62 Ø22)	1
7A	22465608/0	MOZZO CON PULEGGIA (PP 62 Ø25)	HUB WITH PULLEY (PP 62 Ø25)	MOYEU AVEC PQLIE (PP 62 Ø25)	NABE MIT SCHEIBE (PP 62 Ø25)	1
8	81004346/0	COLTELLO STANDARD	STANDARD BLADE	LAME STANDARD	ST. MESSER	1
8A	81004397/0	COLTELLO ALETTATO	WINGS BALDE	LAME À AILETTES	FLUEGEL MESSER	1
9	22160400/0	RONDELLA ELASTICA	ELASTIC WASHER	RONDELLE ELASTIQUE	ELASTISCHE SCHEIBE	1
9A	12523080/0	RONDELLA	WASHER	RONDELLE	SCHEIBE	1
10	12735698/0	VITE (PP 62)	SCREW (P.T.O 62)	VIS (P.F. 62)	SCHRAUBE (MW 62)	1

Pos. Nr.	Codice Kodex Code	Descrizione	Description	Description	Beschreibung	Qtà Q.ty Q.tè Menge
11	22600028/2	PARASSASSI	STONE GUARD	PARE PIERRES	PRALLBLECH	1
12	22517906/0	PERNO FULCRO	PIN	PIVOT	BOLZEN	1
13	22450420/1	MOLLA SX	L. SPRING	RESSORT GAUCHE	L. FEDER	1
14	22450410/1	MOLLA DX	R. SPRING	RESSORT DROITE	R. FEDER	1
15	81006512/0	PORTE INF. MANICO	LOWER HANDEL	PARTIE INF. MANCHERON	UNTERHOLM	1
16	22041955/0	BUSSOLA	BUSH	DOUILLE	HUELSE	4
17	12792610/0	VITE	SCREW	VIS	SCHRAUBE	2
18	12793700/0	VITE	SCREW	VIS	SCHRAUBE	2
19	22399900/0	MANOPOLINA	HANDGRIP	POIGNEE	GRIFF	4
20	12293200/0	DADO	NUT	ECROU	MUTTER	4
21	12155000/0	DADO	NUT	ECROU	MUTTER	2
22	81006971/0	PORTE SUP. MANICO	UPPER HANDLE	PARTIE SUP. MANCHERON	OBERHOLM	1
23	12819201/0	VITE	SCREW	VIS	SCHRAUBE	2
24	22680006/1	RONDELLA	WASHER	RONDELLE	SCHEIBE	2
25	81007048/0	ASS. ACC. UNIVERSALE	THROTTLE UNIT	ENS. ACCELERATEUR	BESCHLEUNIGER	1
25A	22394640/3	MANOPOLINA	KNOBP	POIGNEE	GRIFF	1
26	22120142/0	CRUSCOTTO TR	DASH BOARD TR	CONSOLE TR	KONSOLE TR	1
26A	22120143/0	CRUSCOTTO TR/ES	DASH BOARD TR/ES	CONSOLE TR/ES	KONSOLE TR/ES	1
27	12791400/0	VITE	SCREW	VIS	SCHEIBE	1
28	12521330/0	RONDELLA	WASHER	GROWER	SCHEIBE	2
29	12523040/0	RONDELLA	WASHER	GROWER	SCHEIBE	2
30	12582100/0	GROWER	GROWER	GROWER	FEDERRING	2
31	12292100/0	DADO	NUT	ECROU	MUTTER	2
32	22192000/1	FASCETTA ANCORAGGIO	ANCHOR CLAMP	COLLIER ANCRAGE	BOWDENZUGHATER	2
33*	18450050/0	INTERRUTTORE	SWITCH	INTERRUPTEUR	SCHALTER	1
34*	18204190/1	ASS. CABLAGGIO	CABLES UNIT	ENS. CFABLAGE	KABEL	1
35*	18120050/0	BATTERIA 12V - 2,5 AH	BATTERY 12V - 2,5 AH	BATTERIE 12V - 2,5 AH	BATTERIE 12V - 2,5 AH	1
36	22517855/0	PERNO	PIN	PIVOT	BOLZEN	2
36A	12523000/0	RONDELLA	WASHER	RONDELLE	SCHRAUBE	2
36B	12540020/0	RONDELLA	WASHER	RONDELLE	SCHRAUBE	2
38*	18204110/0	CARICA BATTERIA	BATTERY CHARGER	CHARGEUR DE BATTERIE	LADGERAET	1
39	81003288/0	LEVA TRAZIONE	DRIVING LEVER	LEVIER TRACTION	ANTRIEBHEBEL	1
40	22735537/0	SETTORE	UNIT	SECTEUR	SECTOR	2
41	81005082/0	SUPP. RUOTA	WHEEL SUPPORT	SUPPORT ROUE	RADHALTER	2
42	81003273/0	ASS. LEVA	LEVER UNIT	ENS. LEVIER	KOMPLETTE HEBEL	2
43	22171001/0	DISTANZIALE	SPACER	ENTRETOISE	DISTANZRING	2
44	12793701/0	VITE	SCREW	VIS	SCHRAUBE	2
45	112523070/0	RONDELLA	WASHER	RONDELLE	SCHEIBE	2
46	12583500/0	GROWER	GROWER	GROWER	FEDERRING	2
47	12293200/0	DADO	NUT	ECROU	MUTTER	2
48	81007311/0	RUOTA NERA	BLACK WHEEL	ROUE NOIRE	SCHWARZ RAD	2
49	22122200/0	CUSCINETTO	BEARING	ROULEMENT	KUEGELLAGER	4
50	12530150/0	RONDELLA ELASTICA	ELASTIC WASHER	RONDELLE ELASTIQUE	ELASTISCHE SCHEIBE	2
51	12521350/0	RONDELLA	WASHER	RONDELLE	SCHEIBE	2
52	12155000/0	DADO	NUT	ECROU	MUTTER	2
53	22110262/0	COPRIMOZZO BIANCO	HUBCAP	COUVRE-MOYEU	RADKAPPE	2
54	22060180/0	CARTER	DECK	CHASSIS	CHASSIS	1
55	12727791/0	VITE	SCREW	VIS	SCHRAUBE	1
61	22397000/0	MANOPOLA	KNOB	POIGNEE	GRIF	1
62	81003279/0	LEVA	LEVIER	LEVIER	HEBEL	1
63	12789000/0	VITE	SCREW	VIS	SCHRAUBE	2
64	12154330/0	DADO	NUT	ECROU	MUTTER	2
65	22545152/0	PIASTRINA	PLATE	PLAQUETTE	PLATTE	2
66	12731350/0	VITE	SCREW	VIS	SCHRAUBEN	4
67	22041965/0	BUSSOLA	BUSH	DOUILLE	BÜCHSE	2
101	98004000/0	ASS. SACCO IN TELA	CANVASS GRASSCATCHER ASSY	ENSEMBLE SAC EN TOILE	KOMPLETTER SACK	1
102	81006408/0	TELAIO	CHASSIS	CHASSIS	RAHMEN	1
103	81002105/1	TELA SACCO	FABRIC BOX	TOILE POUR SAC	TUCK FUER SACK	1
111	98005000/0	SACCO COMPLETO	COMPLETE GRASS-BOX	BAC COMPLET	KOMPLETTER KORB	1
112	22486061/1	PORTE SUP. SACCO	UPPER GRASSBOX	PARTIE SUP. BAC	KORB OBERTEIL	1
113	22486060/0	PORTE INF. SACCO	LOWER GRASSBOX	PARTIE INF. BAC	KORB UNTERTEIL	1
114	22775170/1	SUPPORTO SACCO	SUPPORT FOR GRASSBOX	SUPPORT BAC	KORB HALTER	2
115	12789000/0	VITE	SCREW	VIS	SCHRAUBEN	4
116	12521540/0	RONDELLA	WASHER	RONDELLE	SCHEIBE	4
117	12154330/0	DADO	NUT	ECROU	MÜTTER	4
118	22381900/0	MANIGLIA SACCO	GRASS CATCHER HANDLE	POIGNEE BAC	KORBGRIF	1
119	12791400/0	VITE	SCREW	VIS	SCHRAUBEN	2
120	12523040/0	RONDELLA	WASHER	RONDELLE	SCHÉIBE	2
121	12582100/0	GROWER	GROWER	GROWER	FEDERRING	2
122	12292100/0	DADO	NUT	ECROU	MUTTER	2
—	81008577/0	DOTAZIONE SACCO TR/E	GRASS-BOX OUTFIT TR/E	DOTATION BAC TR/E	KORBAUSSTATTUNG TR/E	1
—	81008595/0	DOTAZIONE VITERIA TR	SCREWS OUTFIT TR	DOTATION VISSERIE TR	SCHRAUBEN SATZ TR	1

	VARIANTI FRENO MOTORE E AVVIAMENTO SU MANICO	VARIANTS FOR ENGINE BRAKE AND STARTING ON HANDLE	VARIATIONS POUR FREIN-MOTEUR ET DÉMARRAGE SUR MANCHERON	ÄNDERUNGEN FÜR MOTORBREMSE UND ANLASSEN AUF HOLM		
200	81006514/0	PARTE INF. MANICO	LOWER HANDLE	PARTIE INF. MANCHERON	UNTERHOLM	1
201	81006969/0	PARTE SUP. MANICO	UPPER HANDLE	PARTIE SUP. MANCHERON	OBERHOLM	1
202	81003289/0	ASS. LEVA FRENO MOTORE	BRAKE LEVER ASSY	LEVIER FREIN MOTEUR	MOTORBREMSEHEBEL	1
203	22041966/0	BUSSOLA	BUSH	DOUILLE	BÜCHSE	2
204	81006621/0	ASS. CAVO FRENO MOTORE SPRINT 375	THREAD MOTOR BRAKE ASSY SPRINT 375	CABLE FREIN MOTEUR SPRINT 375	MOTORBREMSEKABEL SPRINT 375	1
204A	81001105/0	ASS. CAVO FRENO MOTORE QUANTUM XM	THREAD MOTOR BRAKE ASSY QUANTUM XM	CABLE FREIN MOTEUR QUANTUM XM	MOTORBREMSEKABEL QUANTUM XM	1
204B	81001107/0	ASS. CAVO FRENO MOTORE TECUMSEH	THREAD MOTOR BRAKE ASSY TECUMSEH	CABLE FREIN MOTEUR TECUMSEH	MOTORBREMSEKABEL TECUMSEH	1

DOVENDO SOSTITUIRE IN GARANZIA LE PARTI CONTRASSEGNAE CON «*» RIVOLGERSI AL COSTRUTTORE DEL MOTORE.
IF YOU HAVE TO CHANGE THE PIECES INDICATED WITH «*» ON WARRANTY YOU ADDRESS TO AFTER SALES SERVICE OF ENGINE MANUFACTURER.
SI VOUS DEVEZ SUBSTITUER LES PIÉCES INDIQUÉES AVEC «*» SOUS GARANTIE VOUS DEVEZ VOUS ADRESSER AU SERVICE APRÈS VENTES DE LA MAISON CONSTRUCTRICE DU MOTEUR.
BITTE WENDEN SIE SICH BEI GARANTIEREPARATUREN DER MIT «*» GEKENNZEICHNETEN TEILE AN DIE KUNDENDIENSTSTELLE DES MOTORHERSTELLER.

1994



EDIPROM
E 1099 3

Pos. Nr.	Code Kodex Codice	Descrizione	Description	Description	Beschreibung	Q.tà Q.ty Q.tà Menge
1	18652002/0	GRUPPO TRAZIONE (PLASTICA)	REAR DRIVE (PLASTIC)	GROUPE TRACTION (PLASTIQUE)	ANTRIEB (KUNSTSTOFF)	1
1A	18652012/0	GRUPPO TRAZIONE (ALLUMINIO)	REAR DRIVE (ALUMINIUM)	GROUPE TRACTION (ALUMINIUM)	ANTRIEB (ALUMINIUM)	1
2	22328600/1	LINGUETTA DI TRASCINAMENTO	DRIVING KEY	CLAVETTE	MITNEHMERLAPPEN	2
3	22601904/0	PULEGGIA 4 KM/H	PULLEY 4 KM/H	POULIE 4 KM/H	RIEMENSCHIEBE 4 KM/H	1
4	12645705/0	SPINA	PIN	GOUPILLE	STIFT	1
5	35063800/0	CINGHIA (Z 27)	BELT (Z 27)	COURROIE (Z 27)	RIEMEN (Z 27)	1
6	81005104/0	SUPPORTO TRAZIONE	SUPPORT	SUPPORT	ANTRIEBHALTER	1
7	12793700/0	VITE	SCREW	VIS	SCHRAUBE	1
8	12293200/0	DADO	NUT	ECROU	MUTTER	1
9	81001252/1	ASSE RUOTE POST.	REAR WHEELS AXLE	AXE ROUES ARR.	HINTERRAEDER ACHSE	1
10	12019900/0	ANELLO OR	OR RING	BAGUE OR	RING	2
11	22570110/0	PIGNONE DX	RIGHT PINION	PIGNON DROITE	L. RITZEL	1
12	22570120/0	PIGNONE SX	LEFT PINION	PIGNON GAUCHE	R. RITZEL	1
13	12608600/0	SEEGER	SEEGER	CIRCLIPS	SEEGER	4
14	22122200/0	CUSCINETTO	BEARING	ROULEMENT	KUEGELLAGER	6
15	81006846/0	PROTEZIONE RUOTE	WHEEL GUARD	PROTECTION ROUE	RAEDERSCHUTZ	2
16	22120105/1	CORONA	RING GEAR	COURONNE DENTEE	KRANZ	2
17	81007313/0	RUOTA Ø210 NERA	BLACK Ø210 WHEEL	ROUES Ø210 NOIRE	SCHWARZE Ø210 RAD	2
18	12369500/0	RONDELLA	WASHER	RONDELLE	SCHIEBE	2
19	12155000/0	DADO	NUT	ECROU	MUTTER	2
20	22110265/0	COPRIMOZZO	HUB COVER	COUVRE MOYEU	RADKAPPE	2
21	81001140/0	ASS. COMANDO TRAZIONE	REAR DRIVE UNIT	ENS. GROUPE TRACTION	ANTRIEB	1
22	12689515/0	VITE	SCREW	VIS	SCHRAUBE	1
23	12154500/0	DADO	NUT	ECROU	MUTTER	1
24	22170800/0	DISTANZIALE	SPACER	ENTRETOISE	DISTANZRING	1