

VISTE ESPLOSE
EXPLODED VIEWS

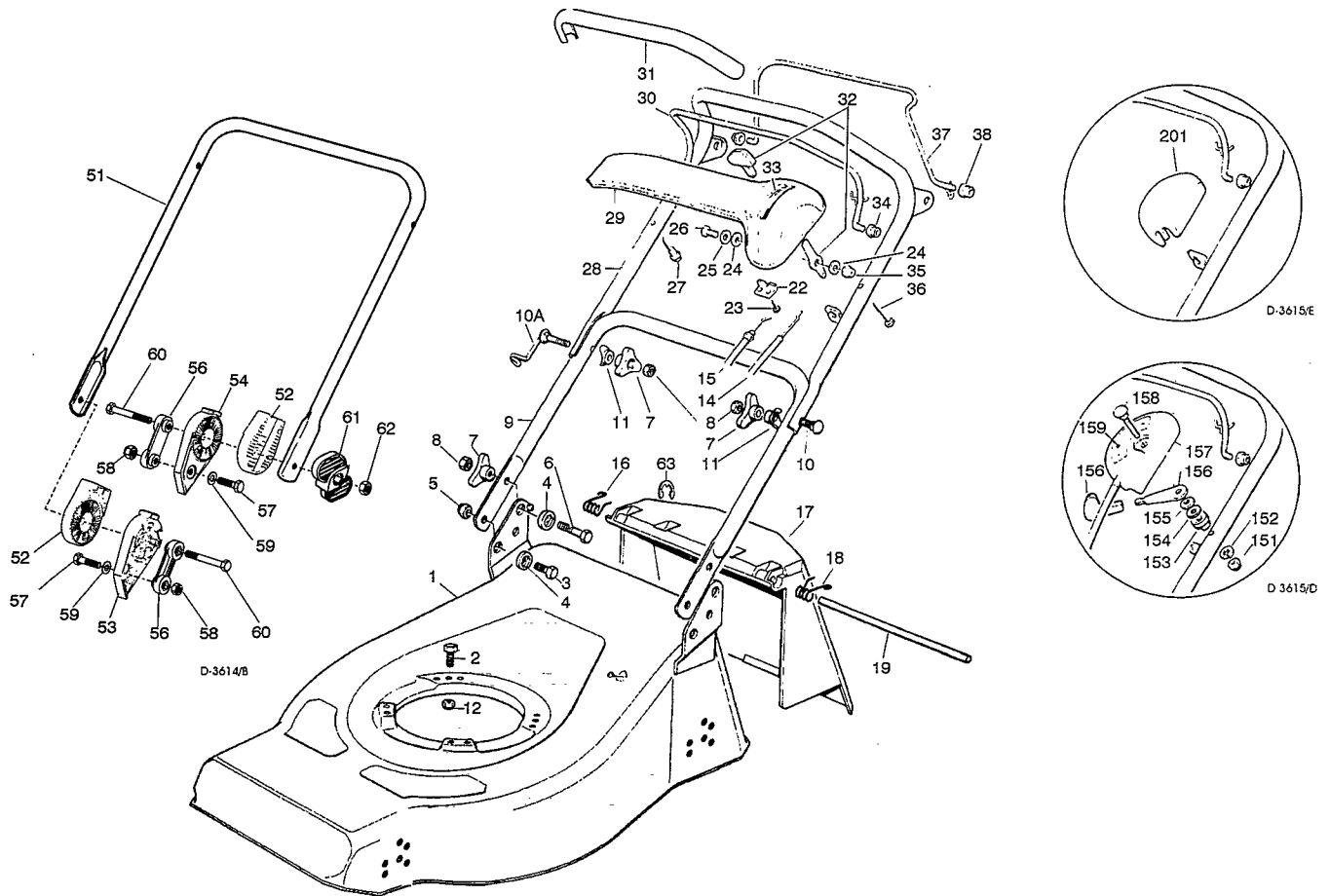
VUES ECLATEES
SPRENGZEICHNUNGEN

Park 46
Collect

R 434
R 484
R 534

Mod. 1998

CHASSIS - MANICO - COMANDI - DOTAZIONE VITERIE
DECK - HANDLE - CONTROLS - SCREWS OUTFITS
CHÂSSIS - MANCHERON - COMMANDES - DOTATION VISSERIE
GEHÄUSE - HOLM - BETÄTIGUNGEN - SCHRAUBENSATZ



T-9623/A

D-3623/A

Pos. Nr.	Codice Kodex Code	Descrizione	Description	Description	Beschreibung	Q.tà Q.ty Q.té Menge
1	81000950/1	CHASSIS ROSSO R 434	RED DECK R 434	CHÂSSIS ROUGE R 434	ROTES GEHÄUSE R 434	1
—	81000988/1	CHASSIS GIALLO R 434	YELLOW DECK R 434	CHÂSSIS JAUNE R 434	GELBES GEHÄUSE R 434	1
—	81001542/1	CHASSIS VERDE R 434	GREEN DECK R 434	CHÂSSIS VERT R 434	GRÜNES GEHÄUSE R 434	1
—	81000952/0	CHASSIS ROSSO R 484	RED DECK R 484	CHÂSSIS ROUGE R 484	ROTES GEHÄUSE R 484	1
—	81000991/0	CHASSIS GIALLO R 484	YELLOW DECK R 484	CHÂSSIS JAUNE R 484	GELBES GEHÄUSE R 484	1
—	81001543/0	CHASSIS VERDE R 484	GREEN DECK R 484	CHÂSSIS VERT R 484	GRÜNES GEHÄUSE R 484	1
—	81001717/0	CHASSIS ROSSO R 534	RED DECK R 534	CHÂSSIS ROUGE R 534	ROTES GEHÄUSE R 534	1
—	81001718/0	CHASSIS GIALLO R 534	YELLOW DECK R 534	CHÂSSIS JAUNE R 534	GELBES GEHÄUSE R 534	1
—	81001719/0	CHASSIS VERDE R 534	GREEN DECK R 534	CHÂSSIS VERT R 534	GRÜNES GEHÄUSE R 534	1
2	12793700/0	VITE (M8x30)	SCREW (M8x30)	VIS (M8x30)	SCHRAUBE M8x30	3/2
—	12691800/0	VITE (M8x60)	SCREW (M8x60)	VIS (M8x60)	SCHRAUBE M8x60	0/1
3	12792610/0	VITE	SCREW	VIS	SCHRAUBE	2
4	22041955/0	BUSSOLA	BUSH	DOUILLE	BUCHSE	4
5	12155000/0	DADO	NUT	ECROU	MUTTER	2
6	12793700/0	VITE	SCREW	VIS	SCHRAUBE	2
7	22399900/0	MANOPOLINA	KNOB	POIGNÉE	GRIF	4
8	12293200/0	DADO	NUT	ECROU	MUTTER	4
9	81006512/0	PORTE INF. MANICO	LOWER HANDLE	PARTIE INF. MANCHERON	UNTERHOLM	1
10	12819201/0	VITE	SCREW	VIS	SCHRAUBE	1
10A	81003801/0	MOLLA GUIDA	SPRING	RESSORT	FEDER	1
11	22680006/1	RONDELLA	WASHER	RONDELLE	SCHIBE	2
12	12293201/0	DADO	NUT	ECROU	MUTTER	3/2
—	12155000/0	DADO	NUT	ECROU	MUTTER	0/1
14	81007160/0	CAVO ACCELERATORE	THROTTLE CABLE	CABLE ACCELERATEUR	BESCHLEUNIGER KABEL	1
15	81000633/0	CAVO FRENO MOTORE	THREAD MOTOR BRAKE	CABLE FREIN MOTEUR	MOTORBREMSEKABEL	1
—	81000623/1	R 434 (QUANTUM XM)	R 434 (QUANTUM XM)	R 434 (QUANTUM XM)	R 434 (QUANTUM XM)	1
—	81000631/0	R 434-484 (TECUMSEH)	R 434-484 (TECUMSEH)	R 434-484 (TECUMSEH)	R 434-484 (TECUMSEH)	1
—	81000631/0	R 484 (QUANTUM XM-ES 40)	R 484 (QUANTUM XM-ES 40)	R 484 (QUANTUM XM-ES 40)	R 484 (QUANTUM XM-ES 40)	1
—	81000625/0	R 484 (SPRINT 375/QUATTRO)	R 484 (SPRINT 375/QUATTRO)	R 484 (SPRINT 375/QUATTRO)	R 484 (SPRINT 375/QUATTRO)	1

Pos. Nr.	Codice Kodex Code	Descrizione	Description	Description	Beschreibung	Q.tà Q.ty Q.tè Menge
—	81000638/0	R 484 (HONDA GV 100)	R 484 (HONDA GV 100)	R 484 (HONDA GV 100)	R 484 (HONDA GV 100)	1
—	81000641/0	R 484 (HONDA GCV 135/160)	R 484 (HONDA GCV 135/160)	R 484 (HONDA GCV 135/160)	R 484 (HONDA GCV 135/160)	1
—	81000642/0	R 534 (QUANTUM XM-ES 40)	R 534 (QUANTUM XM-ES 40)	R 534 (QUANTUM XM-ES 40)	R 534 (QUANTUM XM-ES 40)	1
—	81000643/0	R 534 (SPRINT 375/QUATTRO)	R 534 (SPRINT 375/QUATTRO)	R 534 (SPRINT 375/QUATTRO)	R 534 (SPRINT 375/QUATTRO)	1
—	81000644/0	R 534 (TECUMSEH)	R 534 (TECUMSEH)	R 534 (TECUMSEH)	R 534 (TECUMSEH)	1
—	81000640/0	R 534 (HONDA GCV 135/160)	R 534 (HONDA GCV 135/160)	R 534 (HONDA GCV 135/160)	R 534 (HONDA GCV 135/160)	1
16	22450410/1	MOLLA DX	RIGHT SPRING	RESSORT DROITE	RECHTE FEDER	1
17	22600028/4	PARASASSI	STONE-GUARD	PARE-PIERRÉS	PRALLBLECH	1
18	22450420/1	MOLLA SX	LEFT SPRING	RESSORT GAUCHE	LINKE FEDER	1
19	22517906/1	PERNO	PIN	PIVOT	BOLZEN	1
20	12728518/0	VITE	SCREW	VIS	SCHRAUBE	1
21	22806612/0	SUPPORTO	SUPPORT	SUPPORT	HALTER	1
22	22981467/0	PIASTRINA	PLAQUE	PLAQUETTE	PLATTE	1
23	12735105/0	VITE	SCREW	VIS	SCHRAUBE	2
24	12523040/0	RONDELLA	WASHER	RONDELLE	SCHLEIBE	2
25	12530060/0	RONDELLA ELASTICA	SPRING WASHER	RONDELLE ELASTIQUE	ELASTISCHE SCHEIBE	1
26	12791500/0	VITE	SCREW	VIS	SCHRAUBE	1
27	22943006/0	VITE	SCREW	VIS	SCHRAUBE	1
28	81007018/0	PORTE SUP. MANICO	UPPER HANDLE	PARTIE SUP. MANCHERON	OVERHOLM	1
29	22120154/0	CRUSCOTTO ROSSO	RED DASH BOARD	CONSOLE ROUGE	ROTE KONSOLE	1
—	22120152/0	CRUSCOTTO GIALLO	YELLOW DASH BOARD	CONSOLE JAUNE	GELBE KONSOLE	1
—	22120158/0	CRUSCOTTO NERO	BLACK DASH BOARD	CONSOLE NOIRE	SCHWARZE KONSOLE	1
30	81003291/2	LEVA FRENO MOTORE	BRAKE LEVER	LEVIER FREIN MOTEUR	MOTORBREMSEHEBEL	1
31	22291050/0	IMPUGNATURA MANICO NERA	BLACK HANDGRIP	POIGNÉE NOIRE	SCHWARZER HANDGRIFF	1
—	22291051/0	IMPUGNATURA MANICO ROSSA	RED HANDGRIP	POIGNÉE ROUGE	RÖTER HANDGRIFF	1
—	22291052/0	IMPUGNATURA MANICO GIALLA	YELLOW HANDGRIP	POIGNÉE JAUNE	GELBER HANDGRIFF	1
32	81007280/2	ASS. LEVA+MANOPOLINA	LEVER + KNOB ASS. Y	ENS. LEVIER + POIGNÉE	HEBEL + GRIFF SATZ	1
33	14356743/0	ETICHETTA (TECUMSEH-HONDA)	LABEL (TECUMSEH-HONDA)	ETIQUETTE (TECUMSEH-HONDA)	ETIKETTE (TECUMSEH-HONDA)	1
—	14356744/0	ETICHETTA (B&S)	LABEL (B&S)	ETIQUETTE (B&S)	ETIKETTE (B&S)	1
34	22041966/0	BOCCOLA	BUSH	DOUILLE	BUCHSE	2
35	12154510/0	DADO	NUT	ECROU	MUTTER	1
36	12728460/0	VITE	SCREW	VIS	SCHRAUBE	1

—	81008614/0	DOTAZIONE VITERIA	SCREWS OUTFIT	DOTATION VISSERIE	SCHRAUBEN SATZ	1
—	81008609/0	DOTAZIONE CRUSCOTTO	DASH-BOARD OUTFIT	DOTATION CONSOLE	KONSOLE SATZ	1

T-3614		VARIANTE REGOLAZIONE MANICO	HANDLE ADJUSTMENT VARIANT	VARIANTE REGLAGE POIGNEE	GRIFFEINSTELLVARIANTE	
51	81006510/0	PARTE INFR. MANICO	LOWER HANDLE	PARTIE INF. MANCHERON	UNTERHOLM	1
52	22785081/0	SUPPORTO ESTERNO	EXTERNAL SUPPORT	SUPPORT EXTERNE	AUßENHALTERUNG	2
53	22785082/0	SUPPORTO INTERNO DX	RH INTERNAL SUPPORT	SUPPORT INTERNE DROIT	INNENHALTERUNG RECHTS	1
54	22785083/0	SUPPORTO INTERNO SX	LH INTERNAL SUPPORT	SUPPORT INTERNE GAUCHE	INNENHALTERUNG LINKS	1
56	22551575/0	PIASTRINA INTERNA	INSIDE PLAQUE	PLAQUETTE INTERNE	ISOLIER PLATTE	2
57	12793701/0	VITE	SCREW	VIS	SCHRAUBE	2
58	12155000/0	DADO	NUT	ECROU	MUTTER	2
59	12521350/0	RONDELLA	WASHER	RONDELLE	SCHLEIBE	2
60	12691810/0	VITE	SCREW	VIS	SCHRAUBE	2
61	22399803/0	MANOPOLINA	KNOB	POIGNÉE	GRIFF	2
62	12293202/0	DADO	NUT	ECROU	MUTTER	2
63	12000930/0	ANELLO ELASTICO	SNAP RING	ANNEAU RESSORT	SPRENGRING	1
—	81008623/0	DOTAZ. VITERIA	SCREWS OUTFIT	DOTATION VISSERIE	SCHRAUBEN SATZ	1

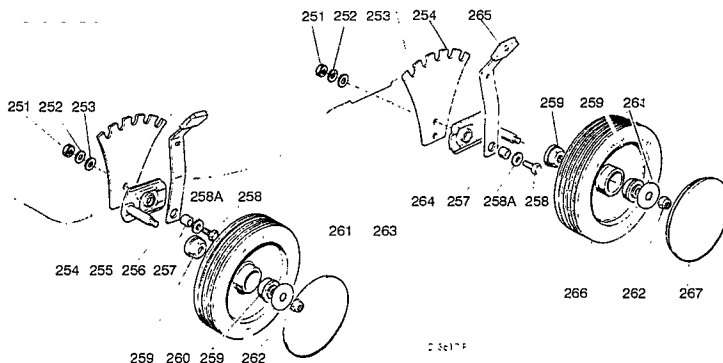
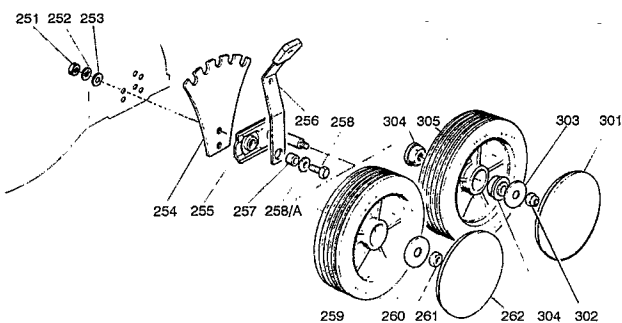
T-3615 D		VARIANTE ACCELERATORE	THROTTLE VARIANTS	VARIANTES COMMANDE D'ACCELERATION	ÄNDERUNGEN AUF GASHEBEL	
151	12291000/0	DADO	NUT	ECROU	MUTTER	1
152	12581500/0	GROWER	GROWER	GROWER	FEDERRING	1
153	22171005/0	DISTANZIALE	SPACER	ENTRETOISE	DISTANZRING	1
154	12521360/0	RONDELLA	WASHER	RONDELLE	SCHLEIBE	1
155	12508100/0	RONDELLA ELASTICA	SPRING WASHER	RONDELLE ELASTIQUE	ELASTISCHE SCHEIBE	1
156	22319302/0	ASS. LEVA+MANOPOLINA	LEVER+KNOB ASS.Y	ENS. LEVIER+POIGNEE	HEBEL+GRIFF SATZ	1
157	81007080/0	ASSIEME ACCELERATORE	TROTTLE UNIT ASS.Y	ENS. ACCELERATEUR	BESCHLEUNIGER SATZ	1
158	12815000/0	VITE	SCREW	VIS	SCHRAUBE	1
159	14356702/0	ETICHETTA (TECUMSEH-HONDA)	LABEL (TECUMSEH-HONDA)	ETIQUETTE (TECUMSEH-HONDA)	ETIKETTE (TECUMSEH-HONDA)	1
—	14356703/0	ETICHETTA (B&S)	LABEL (B&S)	ETIQUETTE (B&S)	ETIKETTE (B&S)	1

T-3615 E		VARIANTE REGIME FISSO	R.P.M. VARIANTS	VARIANTES POUR MODÈLE À REGIME FIXE	ÄNDERUNGEN FÜR MODELLE MIT FIXIERTER DREHZAHL	
201	22601000/0	PROTEZIONE	PROTECTION	PROTECTION	SCHUTZ	

Pos. Nr.	Codice Kodex Code	Descrizione	Description	Description	Beschreibung	Q.tà Q.ty Q.tè Menge
----------	-------------------	-------------	-------------	-------------	--------------	-------------------------------

RUOTE E REGOLAZIONE R 434 - R 484
WHEELS AND HEIGHT ADJUSTING R 434 - R 484
ROUES ET REGLAGE HAUTEUR DE COUPE R 434 - R 484
RÄDER UND SCHNITTVERSTELLUNG R 434 - R 484

RUOTE E REGOLAZIONE R 534
WHEELS AND HEIGHT ADJUSTING R 534
ROUES ET REGLAGE HAUTEUR DE COUPE R 534
RÄDER UND SCHNITTVERSTELLUNG R 534



T-3614/F

R 434 - R 484

251	12293200/0	DADO	NUT	ECROU	MUTTER	4
252	12583500/0	GROWER	GROWER	GROWER	FEDERRING	4
253	12523070/0	RONDELLA	WASHER	RONDELLE	SCHEIBE	4
254	22735537/0	SETTORE REGOLAZIONE	ADJUSTMENT SECTOR	SECTEUR REGLAGE	VERSTELLUNGSEKTOR	4
255	81005082/0	SUPPORTO RUOTA	WHEEL SUPPORT	SUPPORT ROUE	RADHALTER	4
256	81003273/0	LEVA REGOLAZIONE	ADJUSTMENT LEVER	LEVIER REGLAGE	VERSTELLUNGHEBEL	4
257	22171001/0	DISTANZIALE	SPACER	ENTRETOISE	DISTANZRING	4
258	12793701/0	VITE	SCREW	VIS	SCHRAUBE	4
258A	12521350/0	RONDELLA	WASHER	RONDELLE	SCHEIBE	4
259	81007325/0	RUOTA Ø 170	WHEEL Ø 170	ROUE Ø 170	RAD Ø 170	4
260	12523060/0	RONDELLA	WASHER	RONDELLE	SCHEIBE	4
261	12293201/0	DADO	NUT	ECROU	MUTTER	4
262	22110262/0	COPRIMOZZO BIANCO	WHITE HUB CAP	COUVRE-MOYEU BLANC	WEIBE RADKAPPE	4
—	22110263/0	COPRIMOZZO GIALLO	YELLOW HU BCAP	COUVRE-MOYEU JAUNE	GELBE RADKAPPE	4
—	22110264/0	COPRIMOZZO ROSSO	RED HU BCAP	COUVRE-MOYEU ROUGE	ROTE RADKAPPE	4

T-3617/F

R 534

251	12293200/0	DADO	NUT	ECROU	MUTTER	4
252	12583500/0	GROWER	GROWER	GROWER	FEDERRING	4
253	12523070/0	RONDELLA	WASHER	RONDELLE	SCHEIBE	4
254	22735537/0	SETTORE REGOLAZIONE	ADJUSTMENT SECTOR	SECTEUR REGLAGE	VERSTELLUNGSEKTOR	4
255	81005082/0	SUPPORTO RUOTA	WHEEL SUPPORT	SUPPORT ROUE	RADHALTER	2
256	81003273/0	LEVA REGOLAZIONE	ADJUSTMENT LEVER	LEVIER REGLAGE	VERSTELLUNGHEBEL	2
258A	12521350/0	RONDELLA	WASHER	RONDELLE	SCHEIBE	4
257	22171001/0	DISTANZIALE	SPACER	ENTRETOISE	DISTANZRING	4
258	12793701/0	VITE	SCREW	VIS	SCHRAUBE	4
259	22034508/0	BOCCOLA	BUSH	DOUILLE	BUCHSE	8
260	81007311/0	RUOTA Ø 170	WHEEL Ø 170	ROUE Ø 170	RAD Ø 170	2
261	12523060/0	RONDELLA	WASHER	RONDELLE	SCHEIBE	4
262	12155000/0	DADO	NUT	ECROU	MUTTER	4
263	22110262/0	COPRIMOZZO BIANCO	WHITE HUB CAP	COUVRE-MOYEU BLANC	WEIBE RADKAPPE	2
—	22110263/0	COPRIMOZZO GIALLO	YELLOW HUB CAP	COUVRE-MOYEU JAUNE	GELBE RADKAPPE	2
—	22110264/0	COPRIMOZZO ROSSO	RED HUB CAP	COUVRE-MOYEU ROUGE	ROTE RADKAPPE	2
264	81005084/0	SUPPORTO RUOTA	WHEEL SUPPORT	SUPPORT ROUE	RADHALTER	2
265	81003272/0	LEVA REGOLAZIONE	ADJUSTMENT LEVER	LEVIER REGLAGE	VERSTELLUNGHEBEL	2
266	81007313/1	RUOTA Ø 210	WHEEL Ø 210	ROUE Ø 210	RAD Ø 210	2
267	22110265/0	COPRIMOZZO BIANCO	WHITE HUB CAP	COUVRE-MOYEU BLANC	WEIBE RADKAPPE	2
—	22110266/0	COPRIMOZZO GIALLO	YELLOW HUB CAP	COUVRE-MOYEU JAUNE	GELBE RADKAPPE	2
—	22110267/0	COPRIMOZZO ROSSO	RED HUB CAP	COUVRE-MOYEU ROUGE	ROTE RADKAPPE	2

T-3614/G

**VARIANTI RUOTE Ø 170
SU BOCCOLE**

**WHEELS Ø 170 VARIANTS
ON BUSHES**

**VARIANTES ROUES Ø 170
SUR DOUILLES**

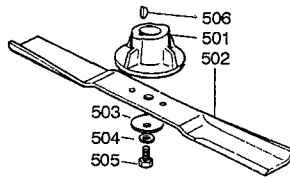
**ÄNDERUNGEN AUF
RÄDER Ø 170 MIT BÜCHSEN**

301	22110262/0	COPRIMOZZO BIANCO	WHITE HUB CAP	COUVRE-MOYEU BLANC	WEIBE RADKAPPE	4
—	22110263/0	COPRIMOZZO GIALLO	YELLOW HU BCAP	COUVRE-MOYEU JAUNE	GELBE RADKAPPE	4
—	22110264/0	COPRIMOZZO ROSSO	RED HU BCAP	COUVRE-MOYEU ROUGE	ROTE RADKAPPE	4
302	12155000/0	DADO	NUT	ECROU	MUTTER	4
303	12523060/0	RONDELLA	WASHER	RONDELLE	SCHEIBE	4
304	22034508/0	BOCCOLA	BUSCHING	DOUILLE	BÜCHSE	8
305	81007326/0	RUOTA Ø 170	WHEEL Ø 170	ROUE Ø 170	RAD Ø 170	4

Pos. Nr.	Codice Kodex Code	Descrizione	Description	Description	Beschreibung	Q.tà Q.ty Q.té Menge
		VARIANTE REGOLAZIONE RUOTE	WHEEL ADJUSTMENT VARIANT	VARIANTE REGLAGE ROUES	RADEINSTELLVARIANTE	
351	12691900/0	VITE	SCREW	VIS	SCHRAUBE	4
352	12523060/0	RONDELLA	WASHER	RONDELLE	SCHIBE	4
353	22869650/0	TUBO PER RUOTA	WHEEL TUBE	TUBE POUR ROUE	ROHR FÜR RAD	4
354	22172420/0	DISTANZIALE	SPACER	ENTRETOISE	DISTANZRING	4
355	12523070/0	RONDELLA	WASHER	RONDELLE	SCHIBE	4
356	12792611/0	VITE	SCREW	VIS	SCHRAUBE	4
357	22551513/0	PIASTRA POSTERIORE	BACK PLATE	PLAQUE POSTÉRIEURE	HINTERPLATTE	2
358	12583500/0	GROWER	GROWER	GROWER	GROWER	8
359	12293200/0	DADO	NUT	ECROU	MUTTER	8
360	22551511/0	PIASTRA ANTERIORE	FRONT PLATE	PLAQUE ANTÉRIEURE	VORDERPLATTE	2

T-3614/H

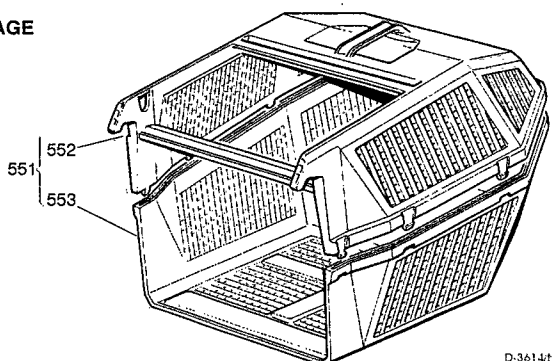
**GRUPPO COLTELLO
BLADE ASS.Y
GROUPE LAMES
MESSERSATZ**



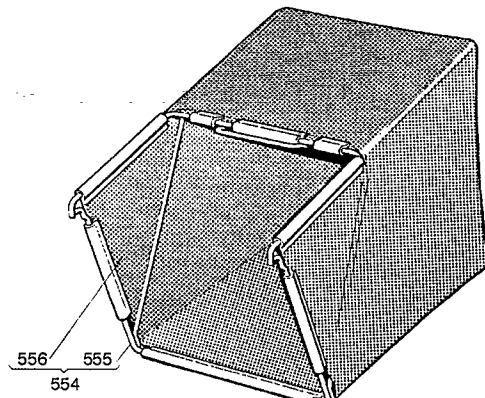
D-3615/M

501	22463012/1	MOZZO	HUB	MOYEU	NABE	1
502	81004341/2	COL. STANDARD. 41 cm. R 434	STANDARD BLADE 41 cm. R 434	LAME STANDARD 41 cm. R 434	STAND. MESSER 41 cm. R 434	1
—	81004396/0	COL. ALETTATO. 41 cm. R 434	WINGED BLADE 41 cm. R 434	LAME AILETTÉE 41 cm. R 434	FLÜGELMESSER 41 cm. R 434	1
—	81004346/2	COL. STANDARD. 46 cm. R 484	STANDARD BLADE 46 cm. R 484	LAME STANDARD 46 cm. R 484	STAND. MESSER 46 cm. R 484	1
—	81004397/0	COL. ALETTATO. 46 cm. R 484	WINGED BLADE 46 cm. R 484	LAME AILETTÉE 46 cm. R 484	FLÜGELMESSER 46 cm. R 484	1
—	81004381/0	COL. STANDARD. 51 cm. R 534	WINGED BLADE 51 cm. R 534	LAME AILETTÉE 51 cm. R 534	FLÜGELMESSER 51 cm. R 534	1
—	81004398/0	COL. ALETTATO. 51 cm. R 534	WINGED BLADE 51 cm. R 534	LAME AILETTÉE 51 cm. R 534	FLÜGELMESSER 51 cm. R 534	1
503	22160400/0	DISCO ELASTICO	ELASTIC WASHER	RONDELLE ELASTIQUE	ELASTISCHE SCHEIBE	1
504	12523080/0	RONDELLA	WASHER	RONDELLE	SCHIBE	1
505	12735698/0	VITE	SCREW	VIS	SCHRAUBE	1
506	12139100/0	LINGUETTA	FEATHER	CLAVETTE	KEIL	1

**SACCO RACCOGLIERBA
GRASS-CATCHER
BAC DE RAMASSAGE
GRASFANGKORB**



D-3614/H



T-3614/N

551	98005000/1	SACCO COMPLETO	COMPLETE GRASS-BOX	SAC COMPLET	KOMPLETTER KORB	1
552	22486076/0	PORTE SUP. SACCO	UPPER GRASS BOX	PARTIE SUP. SAC	OBERSKORB	1
553	22486077/0	PORTE INF. SACCO	LOWER GRASS BOX	PARTIE INF. SAC	UNTERS KORB	1
554	98004000/0	ASS. SACCO IN TELA	CANVASS GRASSCATCHER	ENSEMBLE SAC EN TOILE	KOMPLETTER SACK	1
555	81006408/0	TELAIO	CHASSIS	CHÂSSIS	RAHMEN.	1
556	81002105/2	TELA SACCO	FABRIC BOX	TOILE POUR SAC	TUCK FÜR SACK	1