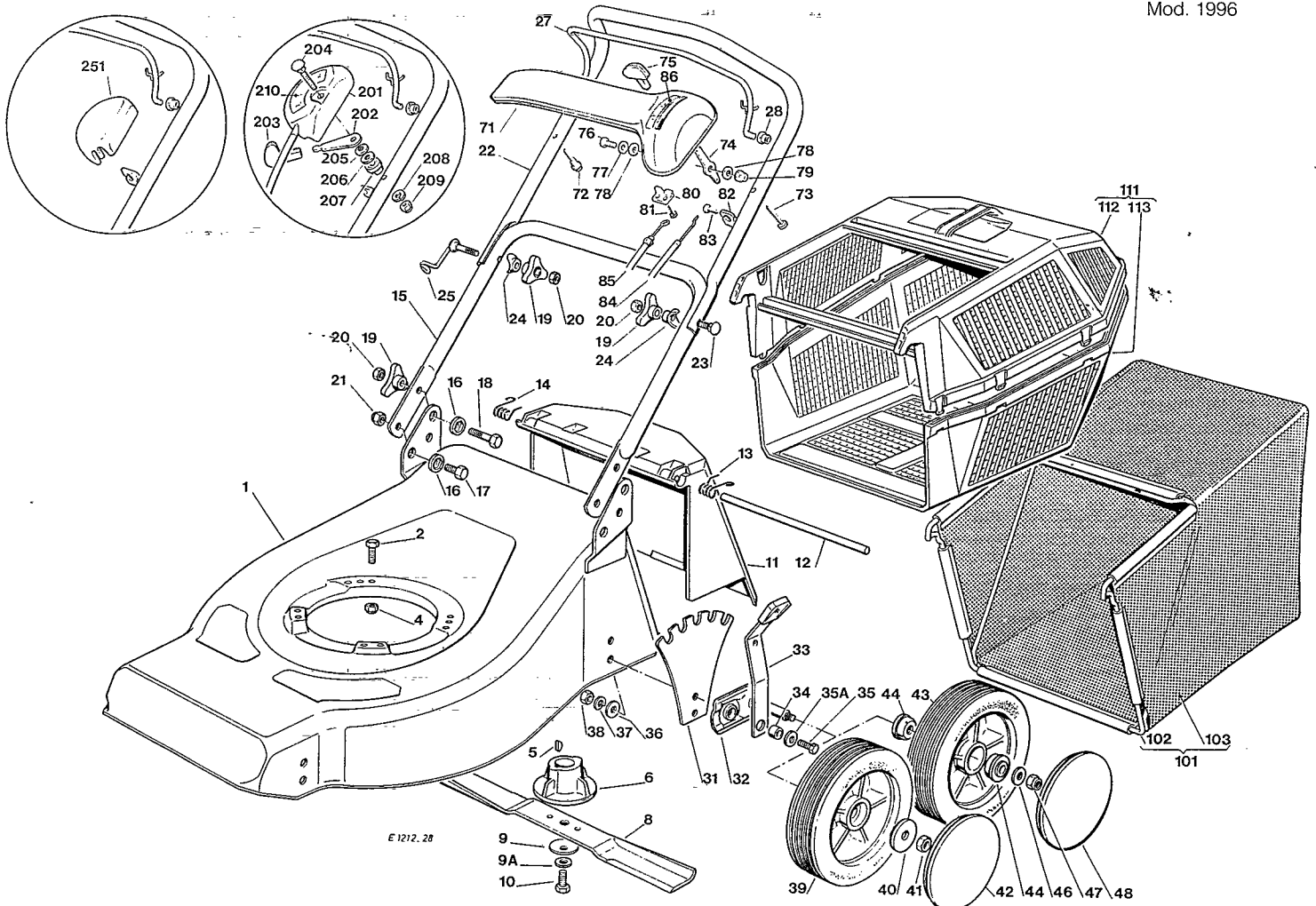


VISTE ESPLOSE  
EXPLODED VIEWS

VUES ECLATEES  
SPRENGZEICHNUNGEN

R 434  
R 484

Mod. 1996



Pos. Nr.	Codice Kodex Code	Descrizione	Description	Description	Beschreibung	Q.tà Q.ty Q.tè Menge
1	81000950/0	CHASSIS ROSSO (R 434)	RED DECK (R 434)	CHASSIS ROUGE (R 434)	ROTES GEHÄUSE (R 434)	1
—	81000988/0	CHASSIS GIALLO (R 434)	YELLOW DECK (R 434)	CHASSIS JAUNE (R 434)	GELBES GEHÄUSE (R 434)	1
—	81001542/0	CHASSIS VERDE (R 434)	GREEN DECK (R 434)	CHASSIS VERT (R 434)	GRÜNES GEHÄUSE (R 434)	1
—	81000952/0	CHASSIS ROSSO (R 484)	RED DECK (R 484)	CHASSIS ROUGE (R 484)	ROTES GEHÄUSE (R 484)	1
—	81000991/0	CHASSIS GIALLO (R 484)	YELLOW DECK (R 484)	CHASSIS JAUNE (R 484)	GELBES GEHÄUSE (R 484)	1
—	81001543/0	CHASSIS VERDE (R 484)	GREEN DECK (R 484)	CHASSIS VERT (R 484)	GRÜNES GEHÄUSE (R 484)	1
2	12793700/0	VITE (M8x30)	SCREW (M8x30)	VIS (M8x30)	SCHRAUBE (M8x30)	3/2
—	12691800/0	VITE (M8x60)	SCREW (M8x60)	VIS (M8x60)	SCHRAUBE (M8x60)	0/1
4	12293201/0	DADO	NUT	ECROU	MUTTER	3/2
—	12155000/0	DADO	NUT	ECROU	MUTTER	0/1
5	12139100/0	LINGUETTA	FEATHER	CLAVETTE	KEIL	1
6	22463012/1	MOZZO	HUB	MOYEU	HALTER	1
8	81004341/2	COLTELLO STANDARD (41 cm.)	STANDARD BLADE (41 cm.)	LAME STANDARD (41 cm.)	STANDARD MESSER (41 cm.)	1
—	81004396/0	COLTELLO ALETTATO (41 cm.)	WINGS BLADE (41 cm.)	LAME À AILETTES (41 cm.)	FLÜGEL MESSER (41 cm.)	1
—	81004346/2	COLTELLO STANDARD (46 cm.)	STANDARD BLADE (46 cm.)	LAME STANDARD (46 cm.)	STANDARD MESSER (46 cm.)	1
—	81004397/0	COLTELLO ALETTATO (46 cm.)	WINGS BLADE (46 cm.)	LAME À AILETTES (46 cm.)	FLÜGEL MESSER (46 cm.)	1
9	22160400/0	DISCO ELASTICO	ELASTIC WASHER	RONDELLE ELASTIQUE	ELASTISCHE SCHEIBE	1
9A	12523080/0	RONDELLA	WASHER	RONDELLE	SCHIBE	1
10	12735698/0	VITE	SCREW	VIS	SCHRAUBE	1
11	22600028/4	PARASASSI	STONE-GUARD	PARE-PIERRES	PRALLBLECH	1
12	22517906/0	PERNO	PIN	PIVOT	BOLZEN	1
13	22450420/1	MOLLA SX	LEFT SPRING	RESSORT GAUCHE	LINKE FEDER	1
14	22450410/1	MOLLA DX	RIGHT SPRING	RESSORT DROITE	RECHTE FEDER	1
15	81006512/0	PARTE INF. MANICO	LOWER HANDLE	PARTIE INF. MANCHERON	HOLMUNTERTEIL	1
16	22041955/0	BUSSOLA	BUSH	DOUILLE	BUCHSE	4
17	12792610/0	VITE	SCREW	VIS	SCHRAUBE	2
18	12793700/0	VITE	SCREW	VIS	SCHRAUBE	2
19	22399900/0	MANOPOLINA	KNOB	POIGNÉE	GRIFF	4
20	12293200/0	DADO	NUT	ECROU	MUTTER	4

Pos. Nr.	Codice Kodex Code	Descrizione	Description	Description	Beschreibung	Q.tà Q.ty Q.tè Menge
21	12155000/0	DADO	NUT	ECROU	MUTTER	2
22	81006998/1	PARTE SUP. MANICO	UPPER HANDLE	PARTIE SUP. MANCHERON	HOLMOBERTEIL	1
23	12819201/0	VITE	SCREW	VIS	SCHRAUBE	1
24	22680006/1	RONDELLA	WASHER	RONDELLE	SCHLEIBE	2
25	81003801/0	MOLLA GUIDA	SPRING	RESSORT	FEDER	1
27	81003291/1	LEVA FRENO MOTORE	BRAKE LEVER	LEVIER FREIN MOTEUR	MOTORBREMSEHEBEL	1
28	22041966/0	BOCCOLA	BUSH	DOUILLE	BUCHSE	2
31	22735537/0	SETTORE REGOLAZIONE	ADJUSTERS SECTOR	SECTEUR REGLAGE	VERSTELLUNGSSEKTOR	4
32	81005082/0	SUPPORTO RUOTA	WHEEL SUPPORT	SUPPORT ROUE	RADHALTER	4
33	81003273/0	LEVA REGOLAZIONE	ADJUSTMENT LEVER	LEVIER REGLAGE	VERSTELLUNGSHEBEL	4
34	22171001/0	DISTANZIALE	SPACER	ENTRETOISE	DISTANZRING	4
35	12793701/0	VITE	SCREW	VIS	SCHRAUBE	4
35A	12521350/0	RONDELLA	WASHER	RONDELLE	SCHLEIBE	4
36	12523070/0	RONDELLA	WASHER	RONDELLE	SCHLEIBE	4
37	12583500/0	GROWER	GROWER	GROWER	FEDERRING	4
38	12293200/0	DADO	NUT	ECROU	MUTTER	4
39	81007325/0	RUOTA Ø 170 NERA	BALCK Ø 170 WHEEL	ROUE Ø 170 NOIRE	SCHWARZES Ø 170 RAD	4
40	12523060/0	RONDELLA	WASHER	RONDELLE	SCHLEIBE	4
41	12293201/0	DADO	NUT	ECROU	MUTTER	4
42	22110262/0	COPRIMOZZO BIANCO	WHITE HUB CAP	COUVRE-MOYEU BLANC	WEISSE RADKAPPE	4
—	22110263/0	COPRIMOZZO GIALLO	YELLOW HUB CAP	COUVRE-MOYEU JAUNE	GELBE RADKAPPE	4

**VARIANTI RUOTE Ø 170 SU BOCCOLE**

**WHEELS VARIANTS Ø 170 ON BUSHES**

**VARIANTES ROUES Ø 170 SUR DOUILLES**

**ÄNDERUNGEN AUF RAEDER Ø 170 MIT BÜCHSEN**

43	81007326/0	RUOTA NERA	BLACK WHEEL	ROUE NOIRE	SCHWARZES RAD	4
44	22034508/0	BOCCOLA	BUSH	DOUILLE	BUCHSE	8
46	12521350/0	RONDELLA	WASHER	RONDELLE	SCHLEIBE	4
47	12155000/0	DADO	NUT	ECROU	MUTTER	4

71	22120154/0	CRUSCOTTO ROSSO	RED DASH BOARD	CONSOLE ROUGE	ROTE KONSOLE	1
—	22120152/0	CRUSCOTTO GIALLO	YELLOW DASH BOARD	CONSOLE JAUNE	GELBE KONSOLE	1
—	22120158/0	CRUSCOTTO NERO	BLACK DASH BOARD	CONSOLE NOIRE	SCHWARZE KONSOLE	1
72	22943006/0	VITE	SCREW	VIS	SCHRAUBE	1
73	12728460/0	VITE	SCREW	VIS	SCHRAUBE	1
74	22319304/1	LEVA	LEVER	LEVIER	HEBEL	1
75	22394641/0	MANOPOLA	KNOB	POIGNEE	GRIFF	1
76	12791500/0	VITE	SCREW	VIS	SCHRAUBE	1
77	12530060/0	RONDELLA ELASTICA	SPRING WASHER	RONDELLE ELASTIQUE	ELASTISCHE SCHLEIBE	1
78	12523040/0	RONDELLA	WASHER	RONDELLE	SCHLEIBE	2
79	12154510/0	DADO	NUT	ECROU	MUTTER	1
80	22981467/0	PIASTRINA	PLAQUE	PLAQUETTE	PLATTE	1
81	12735105/0	VITE	SCREW	VIS	SCHRAUBE	2
82	22806612/0	SUPPORTO	SUPPORT	SUPPORT	HALTER	1
83	12728518/0	VITE	SCREW	VIS	SCHRAUBE	1
84	81007160/0	CAVO ACCELERATORE	THROTTLE CABLE	CABLE ACCELERATEUR	BESCHLEUNIGER KABEL	1
85	81000633/0	CAVO FRENO MOTORE	THREAD MOTOR BRAKE	CABLE FREIN MOTEUR	MOTORBREMSEKABEL	1
—	81000627/0	R 434 (QUANTUM XM)	R 434 (QUANTUM XM)	R 434 (QUANTUM XM)	R 434 (QUANTUM XM)	1
—	81000623/1	CAVO FRENO MOTORE	THREAD MOTOR BRAKE	CABLE FREIN MOTEUR	MOTORBREMSEKABEL	1
—	81000631/0	R 434 (SPRINT 375/QUATTRO)	R 434 (SPRINT 375/QUATTRO)	R 434 (SPRINT 375/QUATTRO)	R 434 (SPRINT 375/QUATTRO)	1
—	81000625/0	CAVO FRENO MOTORE	THREAD MOTOR BRAKE	CABLE FREIN MOTEUR	MOTORBREMSEKABEL	1
—	81000624/0	R 434 (TECUMSEH)	R 434-484 (TECUMSEH)	R 434-484 (TECUMSEH)	R 434-484 (TECUMSEH)	1
—	81000631/0	CAVO FRENO MOTORE	THREAD MOTOR BRAKE	CABLE FREIN MOTEUR	MOTORBREMSEKABEL	1
—	81000625/0	R 484 (QUANTUM XM)	R 484 (QUANTUM XM)	R 484 (QUANTUM XM)	R 484 (QUANTUM XM)	1
—	81000625/0	CAVO FRENO MOTORE	THREAD MOTOR BRAKE	CABLE FREIN MOTEUR	MOTORBREMSEKABEL	1
—	81000624/0	R 484 (SPRINT 375/QUATTRO)	R 484 (SPRINT 375/QUATTRO)	R 484 (SPRINT 375/QUATTRO)	R 484 (SPRINT 375/QUATTRO)	1
—	81000624/0	CAVO FRENO MOTORE	THREAD MOTOR BRAKE	CABLE FREIN MOTEUR	MOTORBREMSEKABEL	1
86	14356743/0	ETICHETTA (TECUMSEH-HONDA)	LABEL (TECUMSEH-HONDA)	ETIQUETTE (TECUMSEH-HONDA)	ETIKETTE (TECUMSEH-HONDA)	1
—	14356744/0	ETICHETTA (B&S)	LABEL (B&S)	ETIQUETTE (B&S)	ETIKETTE (B&S)	1
101	98004000/0	ASS. SACCO IN TELA	CANVASS GRASSCATCHER ASS.Y	ENSEMBLE SAC EN TOILE	KOMPLETTER SACK	1
102	81006408/0	TELAIO	CHASSIS	CHASSIS	RAHMEN	1
103	81002105/1	TELA SACCO	FABRIC BOX	TOILE POUR SAC	TUCK FÜR SACK	1
111	98005000/1	SACCO COMPLETO	COMPLETE GRASS-BOX	SAC COMPLET	KOMPLETTER KORB	1
112	22486076/0	PARTE SUP. SACCO	UPPER GRASS BOX	PARTIE SUP. SAC	OBERTEILER KORB	1
113	22486077/0	PARTE INF. SACCO	LOWER GRASS BOX	PARTIE INF. SAC	UNTERTEILER KORB	1

**VARIANTE ACCELERATORE**

**THROTTLE VARIANTS**

**VARIANTES DE COMANDE D'ACCELERATION**

**ÄNDERUNGEN AUF GASHEBEL**

201	81007080/0	ASSIEME ACCELERATORE	TROTTLE UNIT ASS.Y	ENS. ACCELERATEUR	BESCHLEUNIGER	1
202	22319302/0	LEVA	LEVER	LEVIER	HEBEL	1
203	22394641/0	MANOPOLA	KNOB	POIGNEE	GRIFF	1
204	12815000/0	VITE	SCREW	VIS	SCHRAUBE	1
205	12508100/0	RONDELLA ELASTICA	SPRING WASHER	RONDELLE ELASTIQUE	ELASTISCHE SCHLEIBE	1
206	12521360/0	RONDELLA	WASHER	RONDELLE	SCHLEIBE	1
207	22171005/0	DISTANZIALE	SPACER	ENTRETOISE	DISTANZRING	1
208	12581500/0	GROWER	GROWER	GROWER	FEDERRING	1
209	12291000/0	DADO	NUT	ECROU	MUTTER	1
210	14356702/0	ETICHETTA (TECUMSEH-HONDA)	LABEL (TECUMSEH-HONDA)	ETIQUETTE (TECUMSEH-HONDA)	ETIKETTE (TECUMSEH-HONDA)	1
—	14356703/0	ETICHETTA (B&S)	LABEL (B&S)	ETIQUETTE (B&S)	ETIKETTE (B&S)	1

**VARIANTE REGIME FISSO**

**R.P.M. VARIANTS**

**VARIANTES POUR MODELE A REGIME FIXE**

**ÄNDERUNGEN FÜR MODELLE MIT FIXIERTER DREHZAHL**

251	22601000/0	PROTEZIONE	PROTECTION	PROTECTION	SCHUTZ	1
—	81008614/0	DOTAZIONE VITERIA	SCREWS OUTFIT	DOTATION VISSERIE	SCHRAUBEN SATZ	1
—	81008609/0	DOTAZIONE CRUSCOTTO	DASH-BOARD OUTFIT	DOTATION CONSOLE	KONSOLE SATZ	1