

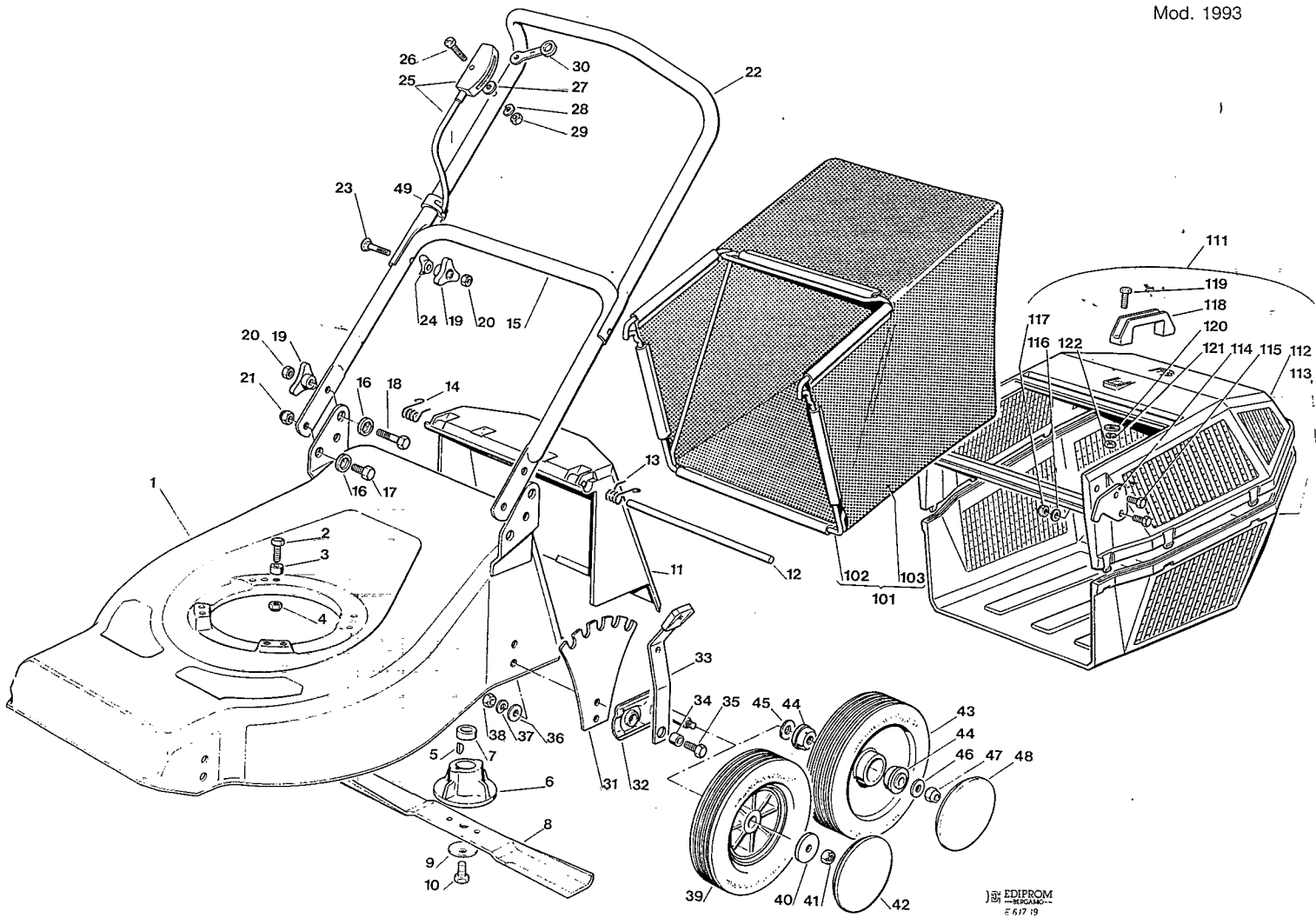


# Raser®

VISTE ESPLOSE  
EXPLODED VIEWS  
VUES ECLATEES  
SPRENGZEICHNUNGEN

R 432  
R 434  
R 484

Mod. 1993



EDIPROM BERGAMO E 617 19

Pos. Nr.	Codice Kodex Code	Descrizione	Description	Description	Beschreibung	Q.tà Q.ty Q.tè Menge
1	81000950/0	CHASSIS ROSSO R 432-434	RED DECK R 432-434	CHASSIS ROUGE R 432-434	ROUTE GEHÄUSE	1
1A	81000952/0	CHASSIS ROSSO R 484	RED DECK R 484	CHASSIS ROUGE R 484	ROUTE GEHÄUSE R 484	1
2	12793300/0	VITE 2T	SCREW 2T	VIS 2T	SCHRAUBE 2T	4
2A	12793700/0	VITE 4T	SCREW 4T	VIS 4T	SCHRAUBE 4T	3
2B	12583500/0	GROWER 2T	GROWER 2T	GROWER 2T	FEDERRING 2T	
3	22174013/0	DISTANZIALE 2T	SPACER 2T	ENTRETOISE 2T	DISTANZRING 2T	4
4	12293201/0	DADO 2T/4T	NUT 2T/4T	ECROU 2T/4T	MUTTER 2T/4T	3
5	12139100/0	LINGUETTA (PP Ø22)	FEATHER (P.T.O. Ø22)	CLAVETTE (P.F. Ø22)	KEIL (M.W. Ø22)	1
5A	12139150/0	LINGUETTA (PP Ø25)	FEATHER (P.T.O. Ø25)	CLAVETTE (P.F. Ø25)	KEIL (M.W. Ø25)	1
6	22463012/1	MOZZO (PP62 Ø22)	HUB (P.T.O. 62 Ø22)	MOYEU (P.F. 62 Ø22)	HALTER (M.W. 62 Ø22)	1
6A	22463020/0	MOZZO (PP 62 Ø25)	HUB (P.T.O. 62 Ø25)	MOYEU (P.F. 62 Ø25)	HALTER (M.W. 62 Ø25)	1
7	22174013/0	DISTANZIALE 2T	SPACER 2T	ENTRETOISE 2T	DISTANZRING 2T	1
8	81004341/0	COLTELLO STANDARD 41 CM	STANDARD BLADE 41 CM	LAME STANDARD 41 CM	STANDARD MESSER 41 CM	1
8A	81004396/0	COLTELLO ALETTATO 41 CM	WINGS BLADE 41 CM	LAME À AILETTES 41 CM	FLUEGEL MESSER 41 CM	1
8B	81004346/0	COLTELLO STANDARD 46 CM	STANDARD BLADE 46 CM	LAME STANDARD 46 CM	STANDARD MESSER 46 CM	1
8C	81004397/0	COLTELLO ALETTATO 46 CM	WINGS BLADE 46 CM	LAME À AILETTES 46 CM	FLUEGEL MESSER 46 CM	1
9	22160400/0	DISCO ELASTICO	ELASTIC WASHER	RONDELLE ELASTIQUE	ELASTISCHE SCHEIBE	1
9A	12523080/0	RONDELLA	WASHER	RONDELLE	SCHEIBE	1
10	12736850/0	VITE (PP 62 2T)	SCREW (P.T.O. 62 2T)	VIS (P.F. 62 2T)	SCHRAUBE (M.W. 62 2T)	1
10A	12735698/0	VITE (PP 62 4T)	SCREW (P.T.O. 62 4T)	VIS (P.F. 62 4T)	SCHRAUBE (M.W. 62 4T)	1



**CASTEL GARDEN EQUIPMENT** spa  
I - 31033 CASTELFRANCO VENETO - ITALY  
TF (0423) 493161 - TX 433359 GARDEN ITALY  
FAX (0423) 498404

CN 71503067/0  
Printed in Italy by TYP'0

Pos. Nr.	Codice Kodex Code	Descrizione	Description	Description	Beschreibung	Q. tà Q. ty Q. t $\grave{e}$ Menge
11	22600028/0	PARASASSI	STONE GUARD	PARE-PIERRES	PRALLBLECH	1
12	22517906/0	PERNO	PIN	PIVOT	BOLZEN	1
13	22450420/0	MOLLA SX	L. SPRING	RESSORT GAUCHE	L. FEDER	1
14	22450410/0	MOLLA DX	R. SPRING	RESSORT DROITE	R. FEDER	1
15	81006512/0	PARTE INF. MANICO	LOWER HANDLE	PARTIE INF. MANCHERON	UNTERHOLT	1
16	22041955/0	BUSSOLA	BUSH	DOUILLE	HUELSE	4
17	12792610/0	VITE	SCREW	VIS	SCHRAUBE	2
18	12793700/0	VITE	SCREW	VIS	SCHRAUBE	2
19	22399900/0	MANOPOLINA	HANDGRIP	POIGNEE	GRIFF	4
20	12293200/0	DADO	NUT	ECROU	MUTTER	4
21	12155000/0	DADO	NUT	ECROU	MUTTER	4
22	81006904/0	PARTE SUP. MANICO	UPPER HANDLE	PARTIE SUP. MANCHERON	OBERHOLM	1
23	12819201/0	VITE	SCREW	VIS	SCHRAUBE	2
24	22680006/1	RONDELLA	WASHER	RONDELLE	SCHIBE	2
25	81007041/0	ASS. ACC. ECON. UNIVERSALE SX	LEFT. ACCELERATOR ASS'Y	ENS. ACCERATEUR UNIVERSEL GAUCHE	BILLIGER-BSCHLEUNIGER LINK	1
25A	81007042/0	ASS. ACC. ECON. UNIVERSALE DX	RIGHT ACCELERATOR ASS'Y	ENS. ACCELERATEUR UNIVERSELLE DROITE	BILLIGER-BESCHLEUNIGER RECHT	1
26	12903020/0	VITE	SCREW	VIS	SCHIBE	1
27	12523040/0	RONDELLA	WASHER	GROWER	SCHIBE	1
27A	12369500/0	DISCO ELASTICO	ELASTIC WASHER	RONDELLE ELASTIQUE	ELASTISCHE SHEIBE	1
28	12582100/0	GROWER	GROWER	GROWER	FEDERRING	1
29	12292100/0	DADO	NUT	ECROU	MUTTER	1
30	81007250/0	ASS. LEVA	LEVER UNIT	ENS. LEVIER	KOMPLETTIE HEBEL	1
31	22735530/0	SETTORE DI REGOLAZIONE	ADJ. UNIT	SECTEUR	VERSTELLUNG SEKTOR	4
32	81005082/0	SUPPORTO RUOTA	WHEEL SUPPORT	SUPPORT ROUE	RADHALTER	4
33	81003273/0	LEVA REGOLAZIONE	SCREW	VIS	SCHRAUBE	4
34	22170900/0	DISTANZIALE	SPACER	ENTRETOISE	DISTANZRING	4
35	12794200/0	VITE	SCREW	VIS	SCHRAUBE	4
36	12523080/0	RONDELLA	WASHER	GROWER	FEDERRING	4
37	12585100/0	GROWER	GROWER	GROWER	MUTTER	4
38	12295200/0	DADO	NUT	ECROU	MUTTER	4
39	81003027/0	RUOTA NERA $\varnothing$ 170	BLACK WHEEL $\varnothing$ 170	ROUE NOIRE $\varnothing$ 170	SCHWARZE RAD $\varnothing$ 170	4
40	12523060/0	RONDELLA	WASHER	RONDELLE	SCHIBE	4
41	12293201/0	DADO	NUT	ECROU	MUTTER	4
42	22110272/0	COPRIMOZZO BIANCO	WHITE HUBCAP	COUVRE-MOYEU BLANCHE	RADKAPPE WEIB	4

		VARIANTI RUOTE $\varnothing$ 170 SU CUSCINETTI	WHEELS VARIANTS $\varnothing$ 170 ON BALL BEARINGS	VARIANTS ROUES $\varnothing$ 170 SUR ROULEMENT	ÄNDERUNGEN AUF RAEDER $\varnothing$ 170 MIT KUGELLAGER	
43	81007311/0	RUOTA NERA	BLACK WHEEL	ROUE NOIRE	SCHWARZE RAD	4
44	22122200/0	CUSCINETTO	BEARING	ROULEMENT	KUEGELLAGER	8
45	12530150/0	RONDELLA ELASTICA	ELASTIC WASHER	RONDELLE ELASTIQUE	ELASTISCHE SCHEIBE	4
46	12521350/0	RONDELLA	WASHER	RONDELLE	SCHIBE	4
47	12155000/0	DADO	NUT	ECROU	MUTTER	4
48	22110262/0	COPRIMOZZO BIANCO	WHITE HUB CAP	COUVRE-MOYEU BLANCHE	RADKAPPE WEISSE	4
49	22192000/1	FASCETTA ANCORAGGIO	ANCHOR CLAMP	COLLIER ANGRAGE	BOWDEN ZUGHATER	1

101	98004000/0	ASS. SACCO IN TELA	CANVASS GRASSCATCHER ASS'Y	ENSEMBLE SAC EN TOILE	KOMPLETTER SACK	1
102	81006408/0	TELAIO	CHASSIS	CHASSIS	RAHMEN	1
103	81002105/0	TELA SACCO	FABRIC BOX	TOILE POUR SAC	TUCK FUER SACK	1
111	98005000/0	SACCO COMPLETO	COMPLETE GRASS-BOX	BAC COMPLET	KOMPLETTER KORB	1
112	22486061/1	PARTE SUP. SACCO	UPPER GRASSBOX	PARTIE SUP. BAC	KORB OBERTEIL	1
113	22486060/0	PARTE INF. SACCO	LOWER GRASSBOX	PARTIE INF. BAC	KORB UNTERTEIL	1
114	22775170/1	SUPPORTO SACCO	SUPPORT FOR GRASSBOX	SUPPORT BAC	KORB HALTER	2
115	12789000/0	VITE	SCREW	VIS	SCHRAUBEN	4
116	12521540/0	RONDELLA	WASHER	RONDELLE	SCHIBE	4
117	12154330/0	DADO	NUT	ECROU	MUTTER	4
118	22381900/0	MANIGLIA SACCO	GRASS CATCHER HANDLE	POIGNEE BAC	KORBGRIF	1
119	12791400/0	VITE	SCREW	VIS	SCHRAUBEN	2
120	12523040/0	RONDELLA	WASHER	RONDELLE	SCHIBE	2
121	12582100/0	GROWER	GROWER	GROWER	FEDERRING	2
122	12292100/0	DADO	NUT	ECROU	MUTTER	2
-	81008583/0	DOTAZIONE SACCO	GRASS-BOX OUTFIT	DOTATION BAC	KORBAUSSTATTUNG	1
-	81008581/0	DOTAZIONE VITERIA	SCREWS OUTFIT	DOTATION VISSERIE	SCHRAUBEN SATZ	1